

Orbital Sander - 3 601 B92 910 - OS50VC

www.powertools-aftersaleservice.com



BOSCH

Item	Part Number	Description	Illustration	Price	Quantity	Price Group
1	2 605 105 964	Housing Section BLUE	1	-,-	1	35
2	2 604 220 751	Field 110V	1	-,-	1	34
4	2 607 200 689	Switch	1	-,-	1	27
5	2 604 460 240	Power supply cord USA/CAN/ SMA 4,15m 2 x 0,82mm SJ 18/2	1	-,-	1	31
6	2 600 703 018	Grommet Ø7,3-Ø8,6x76 MM	1	-,-	1	13
8	2 601 112 268	Nameplate	1	-,-	1	13
9	2 601 112 883	Manufacturer's nameplate OS50VC	1	-,-	1	13
14	1 619 P00 290	Deep-Groove Ball Bearing	1	-,-	1	19
16	2 604 337 003	Brush Holder	1	-,-	2	12
19	2 603 490 017	Torx Oval-Head Screw 3x10	1	-,-	1	10
20	2 601 111 477	Reference Plate	1	-,-	1	13
22	2 601 328 095	Suction Piece	1	-,-	1	16
23	2 916 640 006	Spring retaining ring DIN 471 9x1MM	1	-,-	1	11
24	2 600 590 013	Sealing disk	1	-,-	1	12
25	2 600 290 030	V-Ring	1	-,-	1	14
26	3 608 872 913	Deep-Groove Ball Bearing	1	-,-	2	31
28	2 602 210 046	Eccentric	1	-,-	1	29
29	2 606 610 086	Fan	1	-,-	1	21
30	2 603 410 048	Thread-forming tap. Screw M4x8	1	-,-	6	11
31	2 600 290 036	Shaft Seal	1	-,-	1	15
32	2 600 500 019	Sealing Cover	1	-,-	1	11
34	2 600 009 026	Sander Plate	1	-,-	1	35
35	2 915 051 107	Hex Nut DIN 439-BM8-04	1	-,-	1	11
37	2 603 435 086	Tapping Screw	1	-,-	2	10
40	2 603 435 042	Thread-forming tap. Screw	1	-,-	12	11
41	2 603 490 017	Torx Oval-Head Screw 3x10	1	-,-	4	10
42	2 604 448 368	Connecting Cable	1	-,-	2	12
43	2 603 203 041	Damping Element	1	-,-	8	11
44	1 607 233 557	Speed governor 110-127V	1	-,-	1	36
45	2 915 121 006	Square Nut DIN 562-M6-04	1	-,-	1	10
46	2 603 490 023	Torx Oval-Head Screw 4x20	1	-,-	5	10
47	2 605 500 208	Housing Cover	1	-,-	1	24
48	2 603 490 022	Torx Oval-Head Screw 4x16	1	-,-	10	10

Item	Part Number	Description	Illustration	Price	Quantity	Price Group
49	2 601 035 002	Pusher	1	-,-	1	11
50	2 601 328 054	Suction Socket	1	-,-	1	13
51	2 601 005 017	Felt Strip	1	-,-	1	11
54	2 609 200 379	Tensioning Bracket	1	-,-	1	27
56	2 601 901 021	Lever	1	-,-	1	19
57	2 603 410 051	Thread-forming tap. Screw	1	-,-	1	10
58	2 600 100 713	Spring Washer	1	-,-	1	10
59	2 600 499 078	Guide Bushing	1	-,-	1	12
61	2 601 014 021	Pressure Bar	1	-,-	1	16
655	2 605 411 234	Dust Chamber	2	-,-	1	44
656	2 602 026 175	Auxiliary Handle BLACK	1	-,-	1	27
657	2 608 190 030	Punching Tool	2	-,-	1	29
680	1 907 950 006	Offset Screwdriver DIN 911-SW5 BLACK	1	-,-	1	15
803	2 604 011 953	Armature 110V	1	-,-	1	43
803/3/6	2 606 610 076	Fan	1	-,-	1	15
803/13	2 600 905 051	Deep-Groove Ball Bearing 7x19x6	1	-,-	1	21
810	1 607 014 117	Carbon Brush	1	-,-	1	22
821	2 605 510 904	Suction Hood	1	-,-	1	43
833	2 608 005 902	Spring 4 PIECE	1	-,-	1	27
836	2 605 105 966	Motor Housing BLUE	1	-,-	1	31
852	2 601 099 902	Swing-Plate	1	-,-	1	45

Product information Orbital Sander - 3 601 B92 910 - OS50VC

Product No	3 601 B92 910
Description	251.720; Orbital Sander
DIN-Text	
ID_Text_Ext	0
Trading_Description	OS50VC
Voltage_1	110 V
ID_Country_Product	USA

Illustration - Type E

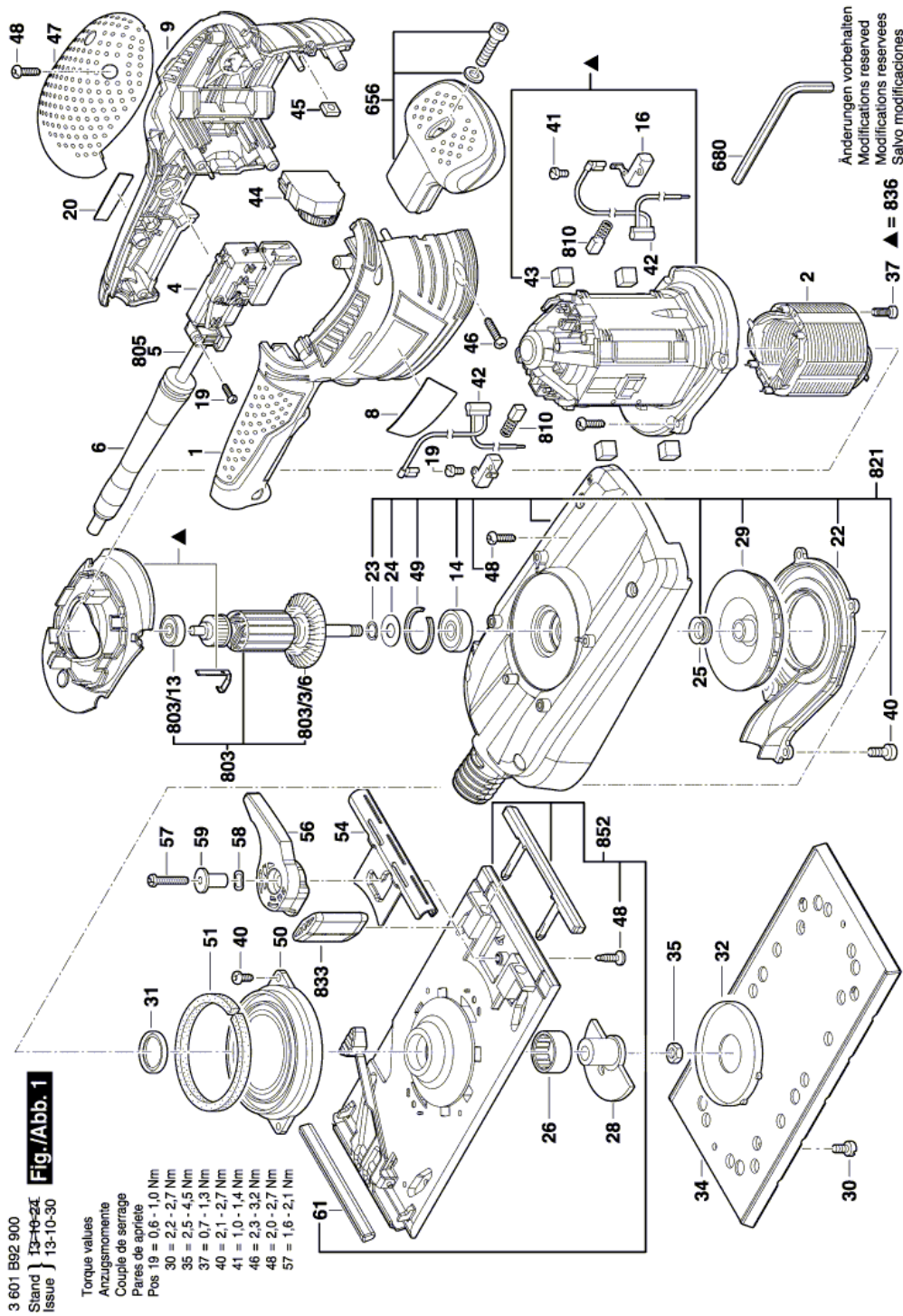
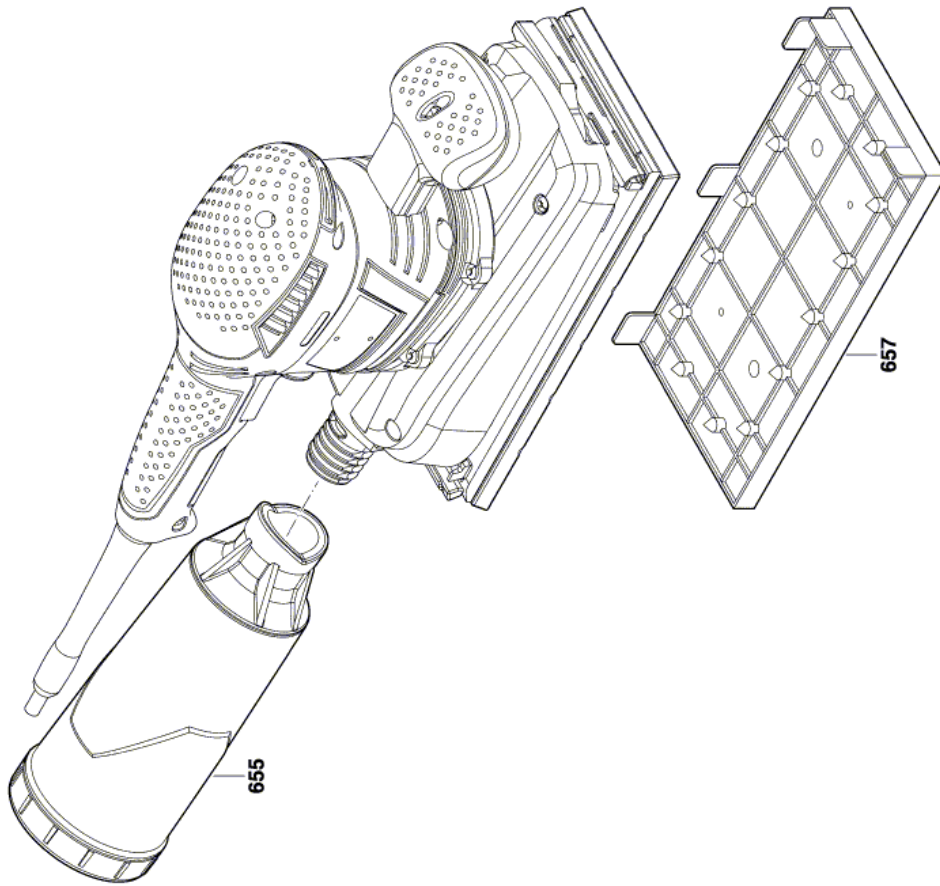


Illustration - Type E



3 601 B92 900
Stand } 14-06-11
Issue }
Fig./Abb. 2

Änderungen vorbehalten
Modifications reserved
Modificacions reserveses
Salvo modificaciones

Information subject to change without further notice.