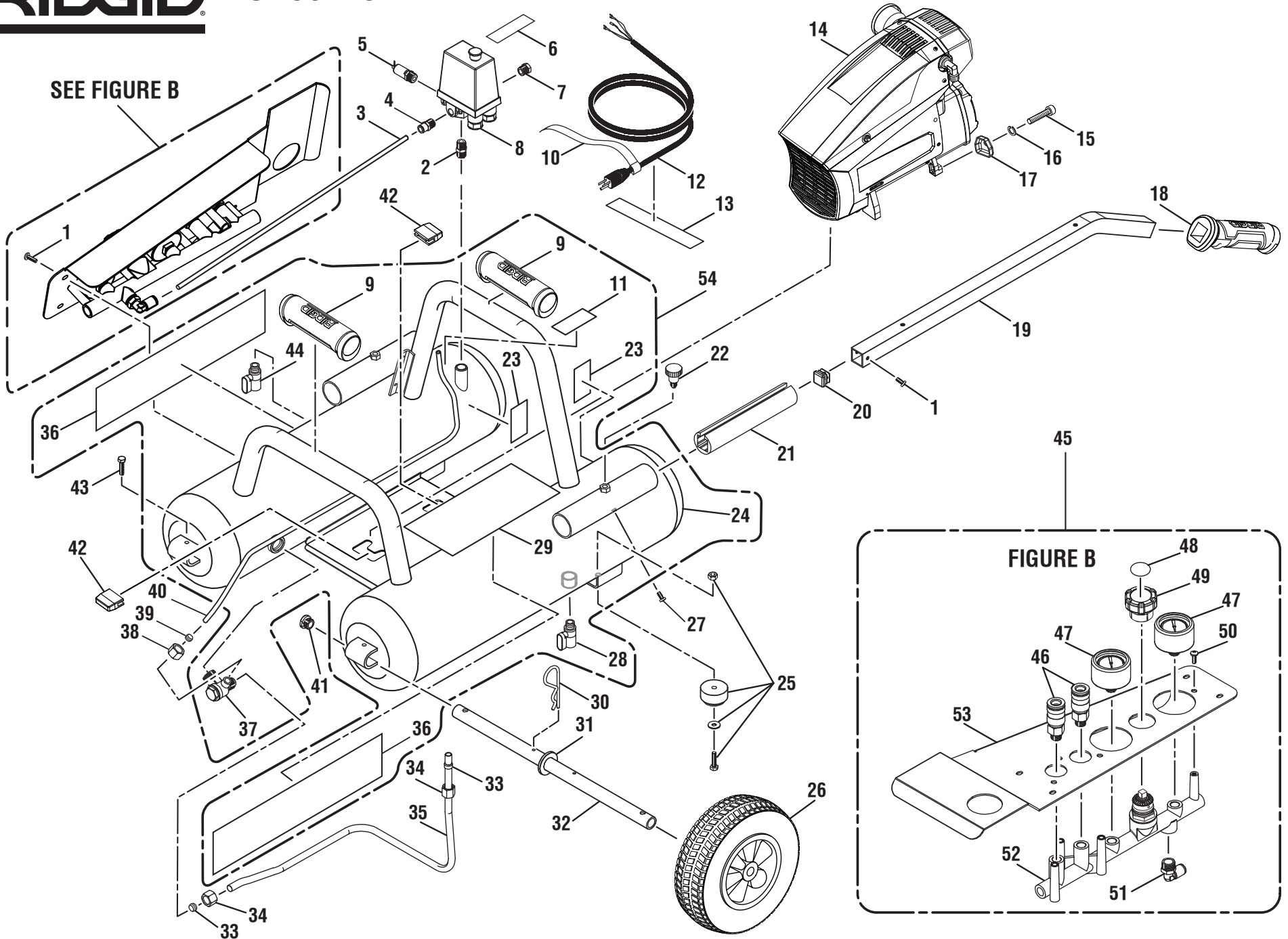


### FIGURE A

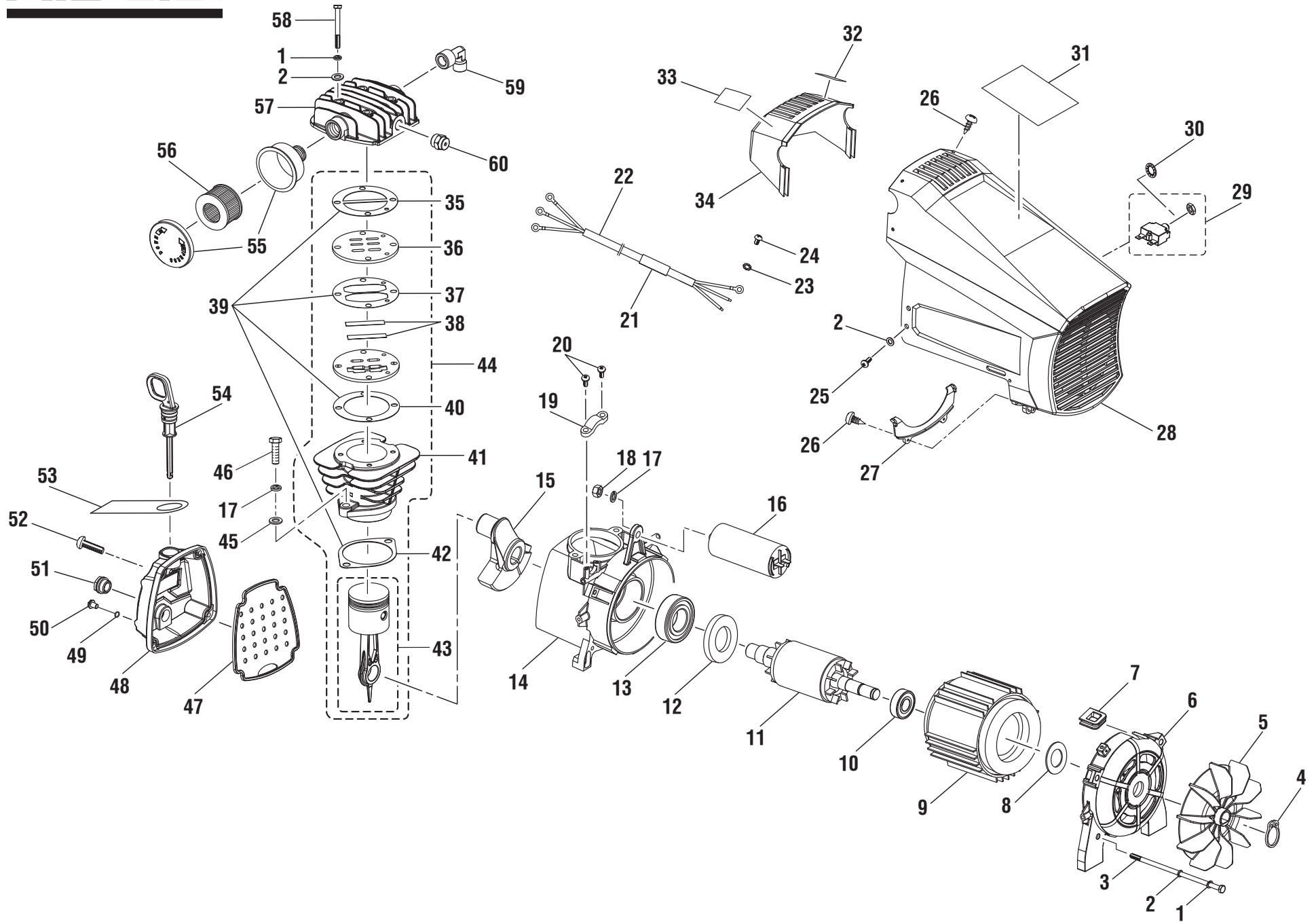




OL50145MWD

FIGURE A

KEY P/N	DESCRIPTION	QTY	KEY P/N	DESCRIPTION	QTY	KEY P/N	DESCRIPTION	QTY			
1	079027008015	Screw (M5 x 12 mm) .....	6	20	079027008041	Rubber Plug .....	2	40	079027008001	Tube.....	1
2	079027008027	Nipple .....	1	21	079027008040	Handle Support .....	2	41	079027008008	Axle Plug .....	2
3	079027008024	Tube.....	1	22	079027008036	Handle Release Lock Pin .....	2	42	079027008038	Rubber Pad .....	4
4	079027008031	Quick Coupler .....	1	23	079027005907	Drain Valve Label.....	2	43	079027008039	Bolt (M6 x 25 mm).....	2
5	079027008028	Pressure Relief Valve .....	1	24	079027008004	Air Tank.....	1	44	079027008053	Left Drain Valve .....	1
6	079027005908	Warning Label (On/Off Switch) .....	1	25	079027008706	Foot Assembly.....	2	45	079027008701	Control Panel Assembly (Inc. Key. Nos. 46-53) .....	1
7	079027008029	External Hex Plug.....	1	26	079027008005	Wheel.....	1	46	079027008018	Quick Coupler .....	2
8	079027008030	Pressure Switch.....	1	27	079027008037	Screw (M5 x 6 mm) .....	4	47	079027008019	Pressure Gauge.....	2
9	079027008035	Rubber Handle .....	2	28	079027008012	Right Drain Valve .....	1	48	079027008906	Regulator Knob Label.....	1
10	079027008043	Cord Wrap .....	1	29	079027005903	Warning Label .....	1	49	079027008702	Knob Assembly (Inc. Key No. 48).....	1
11	079027008903	Data Label .....	1	30	079027008009	Cotter Pin .....	2	50	079027008016	Screw (M6 x 16 mm) .....	4
12	079027008704	Power Cord Assembly (Inc Key Nos. 10 and 13) .....	1	31	079027008006	Washer (ID20 x OD37 x 4t).....	2	51	079027008021	L Joint.....	1
13	079027005905	Cord Label.....	1	32	079027008007	Axle.....	1	52	079027008020	Pressure Reducer Regulator .....	1
14	079027008700	Motor And Pump Assembly .....	1	33	079027008121	Ferrule .....	2	53	079027008017	Instrument Panel .....	1
15	079027008033	Screw (M8 x 35 mm, Soc. Hd.) .....	2	34	079027008120	Hex Nut (3/8-19).....	2	54	079027008703	Tank Assembly (Inc. Key Nos. 9, 11, 23-24, 28-26, 36-37, and 44) ..	1
16	079027008032	Lock Washer (M8) (ID8 x OD11.6 x .6t) .....	2	35	079027008002	Exhaust Tube Kit .....	1	<b>Not Shown:</b>			
17	079027008034	Bracket .....	2	36	079027005902	Logo Label.....	2	987000865	Operator's Manual.....	1	
18	079027008025	Rubber Handle .....	2	37	079027008003	Check Valve.....	1	11-19-10 (Rev:01)			
19	079027008705	Square Handle Assembly (Inc. Key No. 18).....	1	38	079027008118	Hex Nut (M10 x 1 mm) .....	1				
				39	079027008119	Ferrule .....	1				





OL50145MWD

FIGURE C

KEY P/N	DESCRIPTION	QTY	KEY P/N	DESCRIPTION	QTY	KEY P/N	DESCRIPTION	QTY
1	079027008055 Lock Washer (M6) (ID6.4 x OD9.6 x 1.6t) .....	8	22	079027008111 Power Cord .....	1	41	079027008097 Cylinder .....	1
2	079027008056 Washer (M6) (ID6.6 x OD12 x 1.5t) .....	14	23	079027008112 Star Washer (1.5 mm).....	1	42	079027008096 Bottom Cylinder Gasket.....	1
3	079027008084 Bolt (M6 x 160 mm, Hex Hd.).....	4	24	079027008113 Screw (M4 x 8 mm) .....	1	43	079027008713 Piston Kit .....	1
4	079027008085 C-Clip .....	1	25	079027008110 Screw (M6 x 12 mm) .....	6	44	079027008717 Pump Rebuild Kit .....	1
5	079027008083 Motor Fan.....	1	26	079027008106 Screw (M3.5 x 8 mm) .....	8	45	079027008063 Washer (M8) (ID9 x OD16 x 1.6t).....	2
6	079027008082 Motor Cover .....	1	27	079027008109 Motor Cover Bracket.....	1	46	079027008061 Bolt (M8 x 28 mm, Hex Hd.).....	2
7	079027008086 Strain Relief .....	1	28	079027008716 Vent Guide Assembly (Inc. Key No. 31).....	1	47	079027008073 Crankcase Seal Gasket.....	1
8	079027008081 Wave Gasket .....	1	29	079027008108 Overload Protector .....	1	48	079027008072 Crankcase Head.....	1
9	079027008712 Motor Stator Assembly .....	1	30	079027008117 Star Washer (D10) .....	1	49	079027008071 O-Ring .....	1
10	079027008080 Ball Bearing (6203 ZZ).....	1	31	079027008905 Mobile Air Logo Label .....	1	50	079027008070 Screw (M6 x 12 mm, Hex Hd.) .....	1
11	079027008711 Motor Rotor Assembly .....	1	32	079027008902 Hot Surface Label (French/Spanish) .....	1	51	079027008069 Oil Level Plug.....	1
12	079027008079 Oil Seal .....	1	33	079027008901 Hot Surface Label (English).....	1	52	079027008068 Screw (M5 x 15 mm) .....	4
13	079027008078 Ball Bearing (6205-2RS).....	1	34	079027008715 Protective Cover Assembly (Inc. Key Nos. 32-33).....	1	53	079027005906 Hang Tag Label (Oil Fill).....	1
14	079027008077 Crankcase .....	1	35	079027008102 Cylinder Cover Gasket .....	1	54	079027008709 Dipstick Kit .....	1
15	079027008710 Counterweight Kit.....	1	36	079027008101 Valve Plate.....	2	55	079027008708 Air Filter Kit (Inc. Key No. 56) .....	1
16	079027008087 Capacitor.....	1	37	079027008100 Gasket .....	1	56	079027008058 Air Filter .....	1
17	079027008062 Lock Washer (M8) (ID8.4 x OD12.6 x 2.1t) .....	3	38	079027008099 Reed Valve.....	2	57	079027008057 Cylinder Head.....	1
18	079027008088 Hex Nut (M8) .....	1	39	079027008714 Gasket Kit (Inc. Key Nos. 35, 37, 40 and 42) ..	1	58	079027008054 Bolt (M6 x 55 mm, Hex Hd.).....	4
19	079027008114 Cord Lock.....	1	40	079027008098 Top Cylinder Gasket.....	1	59	079027008104 L Joint Kit .....	1
20	079027008115 Screw (M4 x 12 mm) .....	2				60	079027008103 Pressure Relief Valve .....	1
21	079027008116 Sleeve (D14) .....	1						