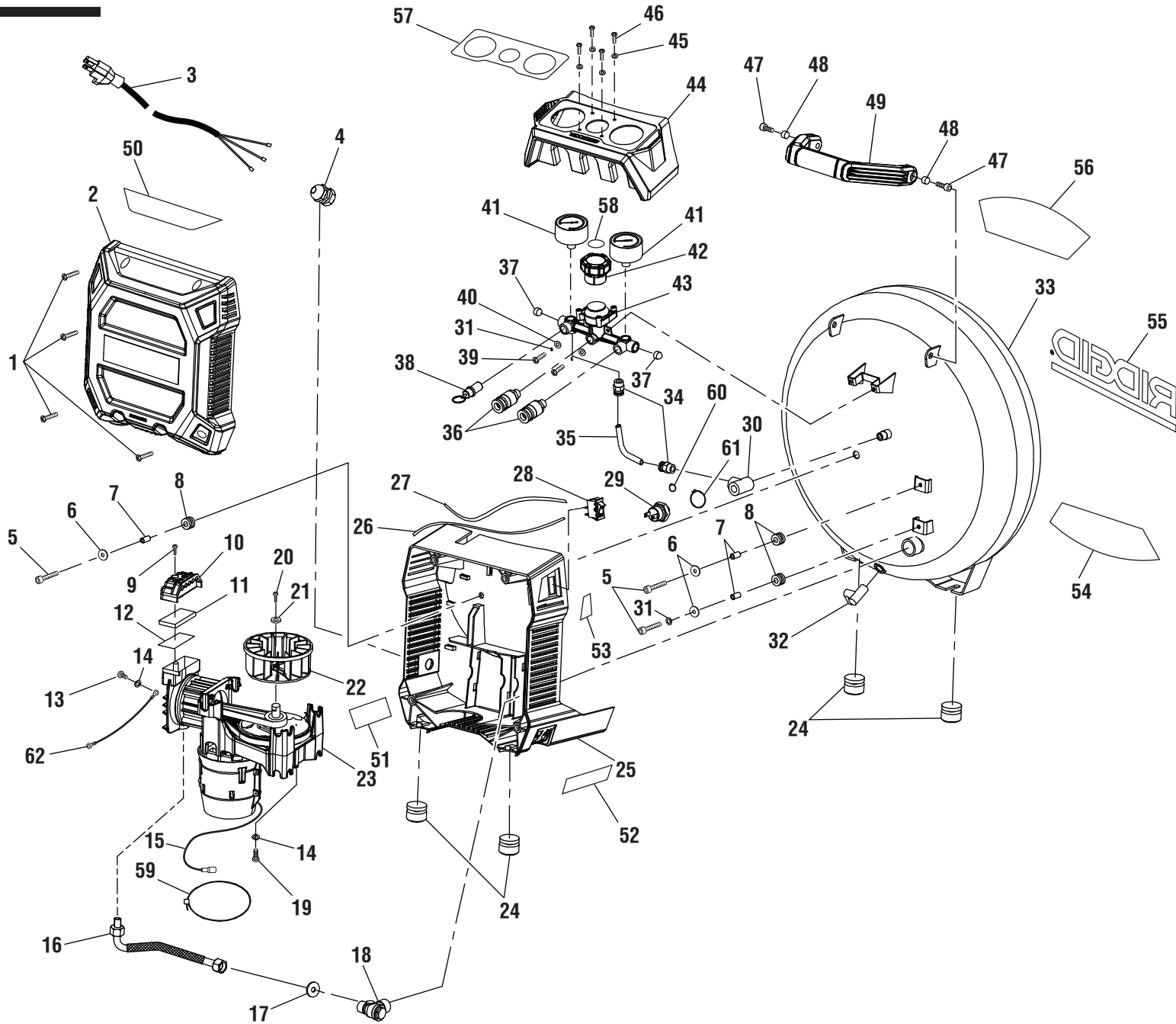


**Air Compressor  
OF60150VP  
Repair Sheet**

**Compresseur d'air  
OF60150VP  
Feuille de réparation**

**Compresor de aire  
OF60150VP  
Lista de piezas de repuesto**





# OF60150VP

| KEY NO. | PART NUMBER  | DESCRIPTION                         | QTY |
|---------|--------------|-------------------------------------|-----|
| 1       | 079077029002 | Screw (M4.8 x 20 mm, Pan Hd.)       | 4   |
| 2       | 079077029001 | Front Cover                         | 1   |
| 3       | 079077029076 | Power Cord (16 AWG x 6.6 ft.)       | 1   |
| 4       | 079077029075 | Strain Relief (Power Cord)          | 1   |
| 5       | 079077029003 | Screw (M5 x 25 mm, Hex Soc. Hd.)    | 3   |
| 6       | 079077029004 | Washer (ID6 x OD18 x 1t)            | 3   |
| 7       | 079077029005 | Bushing                             | 3   |
| 8       | 079077029006 | Rubber Bushing                      | 3   |
| 9       | 079077029084 | Screw (M4 x 12 mm)                  | 1   |
| 10      | 079077029034 | Air Filter Housing                  | 1   |
| 11      | 079077029033 | Air Filter Element                  | 1   |
| 12      | 079077029032 | Air Filter Cap                      | 1   |
| 13      | 079077038012 | Screw (M4 x 8 mm)                   | 1   |
| 14      | 079077038011 | Lock Washer (M4)                    | 2   |
| 15      | 079077029072 | Ground Lead (16 AWG x 250 mm)       | 1   |
| 16      | 079077029702 | Discharge Tube Assembly             | 1   |
| 17      | 079077029051 | Gasket                              | 1   |
| 18      | 079077029052 | Check Valve                         | 1   |
| 19      | 079077029078 | Screw (M4 x 10 mm)                  | 1   |
| 20      | 079077029042 | Screw (M5 x 16 mm, Hex Soc. Hd.)    | 1   |
| 21      | 079077029041 | Washer (ID5.5 x OD15 x 1t)          | 2   |
| 22      | 079077029040 | Fan                                 | 1   |
| 23      | 079077029701 | Motor and Pump Assembly             | 1   |
| 24      | 079077029053 | Rubber Foot                         | 4   |
| 25      | 079077029054 | Back Cover                          | 1   |
| 26      | 079077029074 | Black Lead (16 AWG x 350 mm)        | 1   |
| 27      | 079077029073 | Black Lead (16 AWG x 170 mm)        | 1   |
| 28      | 079077029071 | Circuit Breaker (Power Switch)      | 1   |
| 29      | 079077029061 | Pressure Switch                     | 1   |
| 30      | 079077029060 | Tee Fitting (1/4 NPT)               | 1   |
| 31      | 079077029069 | Spring Washer (ID5.3 x OD11 x 0.5t) | 2   |
| 32      | 079077029055 | Drain Valve                         | 1   |
| 33      | 079077029706 | Tank Assembly                       | 1   |

| KEY NO. | PART NUMBER  | DESCRIPTION  | QTY |
|---------|--------------|--|-----|
| 34      | 079077029065 | Fitting (Push-To-Connect)                            | 2   |
| 35      | 079077029066 | Pressure Switch Tube                                 | 1   |
| 36      | 079077029067 | Coupler  | 2   |
| 37      | 079077029064 | Plug Screw   | 2   |
| 38      | 079027018060 | Pressure Relief Valve                                | 1   |
| 39      | 079077029068 | Screw (M5 x 12 mm)                                   | 2   |
| 40      | 079077029070 | Washer (ID5.5 x OD10 x 1t)                           | 2   |
| 41      | 079027018069 | Pressure Gauge (2 in.)                               | 2   |
| 42      | 079027018064 | Pressure Regulator Knob                              | 1   |
| 43      | 079077029707 | Regulator Manifold Assembly<br>(Inc. Key Nos. 37-38) | 1   |
| 44      | 079077029062 | Manifold Cover                                       | 1   |
| 45      | 079027018072 | Washer (ID4.48 x OD9 x 0.7t)                         | 4   |
| 46      | 079027018074 | Screw (M4 x 12 mm)                                   | 4   |
| 47      | 079077029057 | Screw (M8 x 16 mm, Hex Soc. Hd.)                     | 2   |
| 48      | 079077029058 | Bushing  | 2   |
| 49      | 079077029059 | Handle   | 1   |
| 50      | 079077029902 | Performance Label                                    | 1   |
| 51      | 079077029908 | Drain Valve Label                                    | 1   |
| 52      | 079077029909 | Hot Surface Label                                    | 1   |
| 53      | 079077029904 | On-Off Label   | 1   |
| 54      | 079077029907 | Warning Label (French/Spanish)                       | 1   |
| 55      | 079077029906 | Ridgid Tank Label                                    | 1   |
| 56      | 079077029905 | Data/Warning Label (English)                         | 1   |
| 57      | 079077029901 | Gauge Panel Label                                    | 1   |
| 58      | 079027018907 | Regulator Knob Label                                 | 1   |
| 59      | 079077038015 | Tie Wrap (368 mm)                                    | 1   |
| 60      | 079077038013 | Tie Wrap (100 mm)                                    | 1   |
| 61      | 079077038014 | Tie Wrap (142 mm)                                    | 1   |
| 62      | 079077038010 | Ground Lead (16 AWG x 180 mm)                        | 1   |

**Not Shown:**

990000919 Operator's Manual  
1-8-16  
(Rev:02)

POWER CORD  
CORDON D'ALIMENTATION /  
CORDÓN DE CORRIENTE

BLACK  
NOIR / NEGRA

PRESSURE SWITCH  
PRESSOSTAT /  
INTERRUPTOR DE PRESIÓN

BLACK  
NOIR / NEGRA

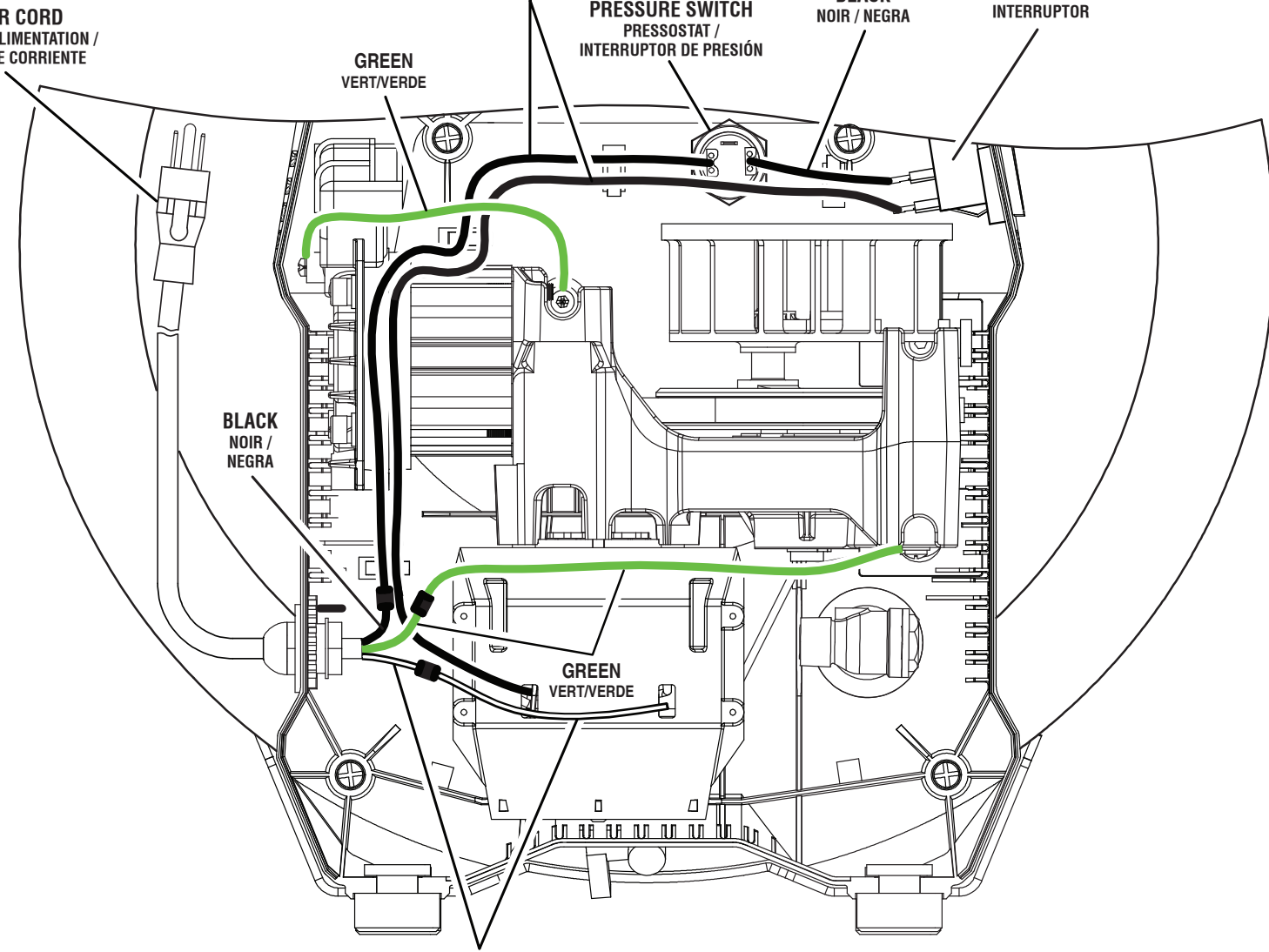
SWITCH  
INTERRUPTEUR /  
INTERRUPTOR

GREEN  
VERT/VERDE

BLACK  
NOIR /  
NEGRA

GREEN  
VERT/VERDE

WHITE  
BLANC / BLANCA



### WIRING DIAGRAM SCHÉMA DE CÂBLAGE / DIAGRAMA DE CABLEADO