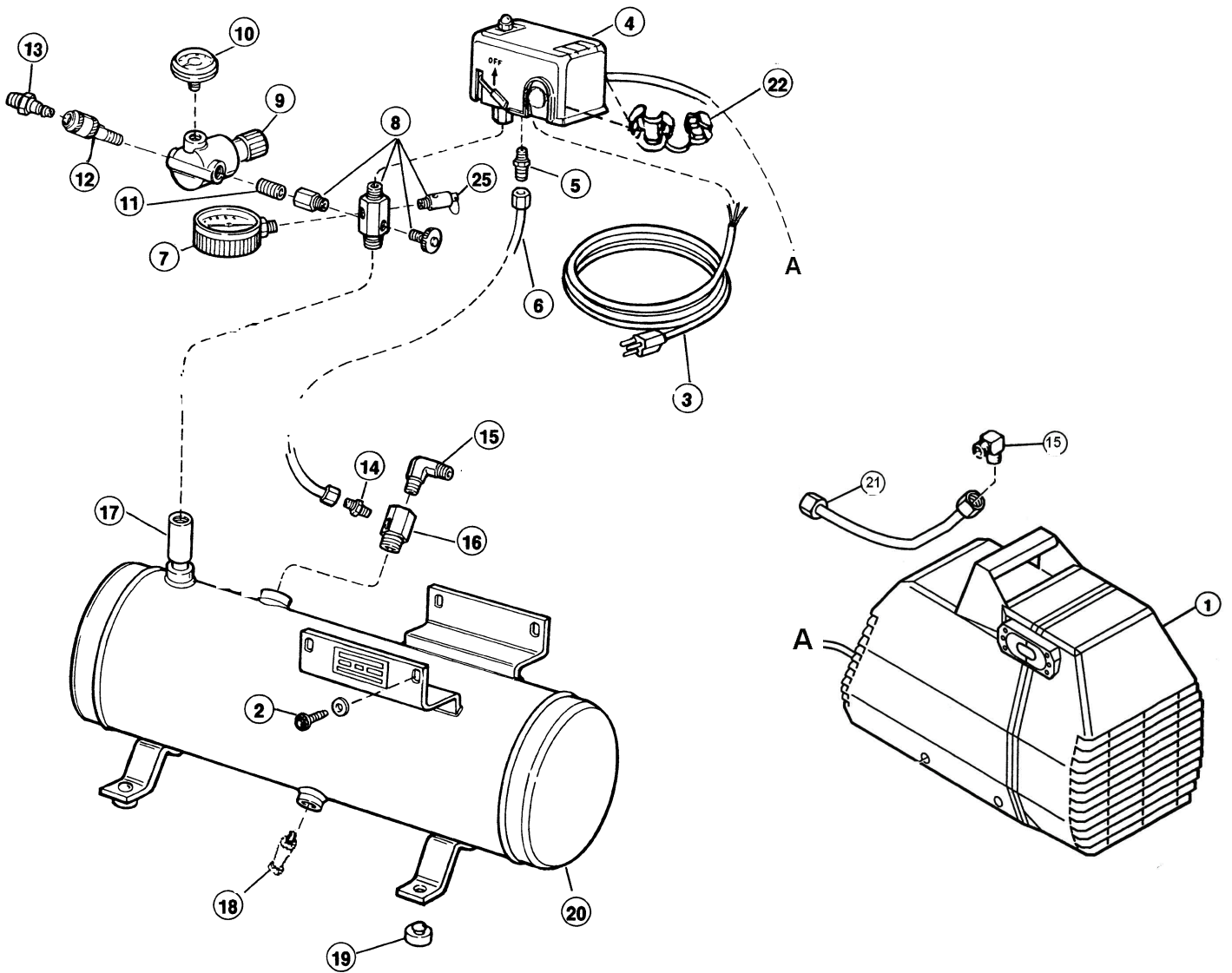
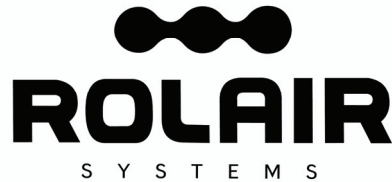

ROLAIR
SCHEMATIC FOR MODEL
OD1500HS3





PARTS LIST FOR MODEL OD1500HS3

Schematic #	Description	Part #	Qty.
1	2 HP Pump Motor	PMP110L202FI	1
2	Screw	MIS10036	4
3	Cord w/Plug	176	1
4	Pressure Switch	PS2020	1
5	Pressure Switch Relief Valve	PS2020RV	1
6	1/4" Nylon Tubing – 15"	178D	1.25'
	Brass Nut	BRNT0250	2
	Brass Ring	BRRG0250	2
	Brass Sleeve	BRSL0250	2
7	Gauge – Tank	GA0250200GC	1
8	Brass Manifold	154A	1
9	Regulator	REG0250M	1
10	Gauge – Line	GA0125200GC	1
11	Nipple	BLNP0250X1500	1
12	Quick Disconnect	308	1
13	Coupler Plug	310	1
14	Brass Straight	BRST0250X012538	1
15	Brass Elbow	BREL0500X037539	2
16	Check Valve	CV3X4TWB	1
17	Coupling	BLCP0500	1
18	Drain Valve	132B	1
19	Rubber Foot	218	4
20	Tank Assembly	CONSULT FACTORY	1
21	1/2" Copper Tube	CONSULT FACTORY	1
22	Box Connector	160	2
25	Safety Relief Valve	N.L.A.*	1

*Order Brass Manifold 154A

