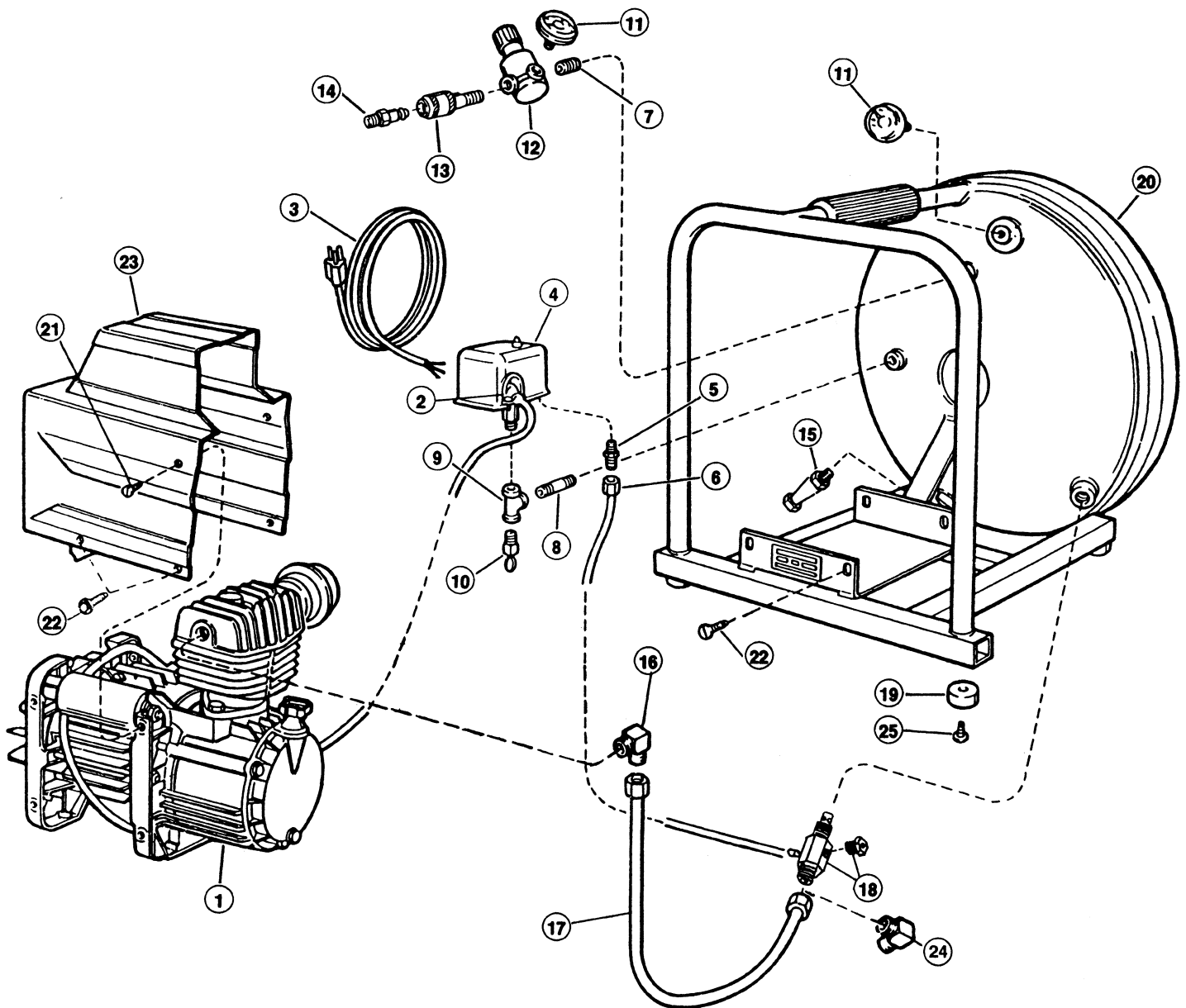


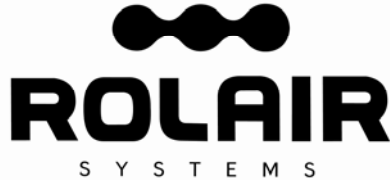


ROLAIR

SCHEMATIC FOR MODELS

D075HPV5 D1000LPV5 OD1500LPV5
D075LPV5 D1500HPV5 OD1500HPV5
D2002HPV5 D2000HPV5





ROLAIR SYSTEMS

606 S. Lake Street, P.O. Box 346
 Hustisford Wisconsin 53034-0346
 Phone: 920-349-3281
 Sales Fax: 920.349.3691
 Service Fax: 920.349.8861
www.rolair.com

PARTS LIST FOR MODELS

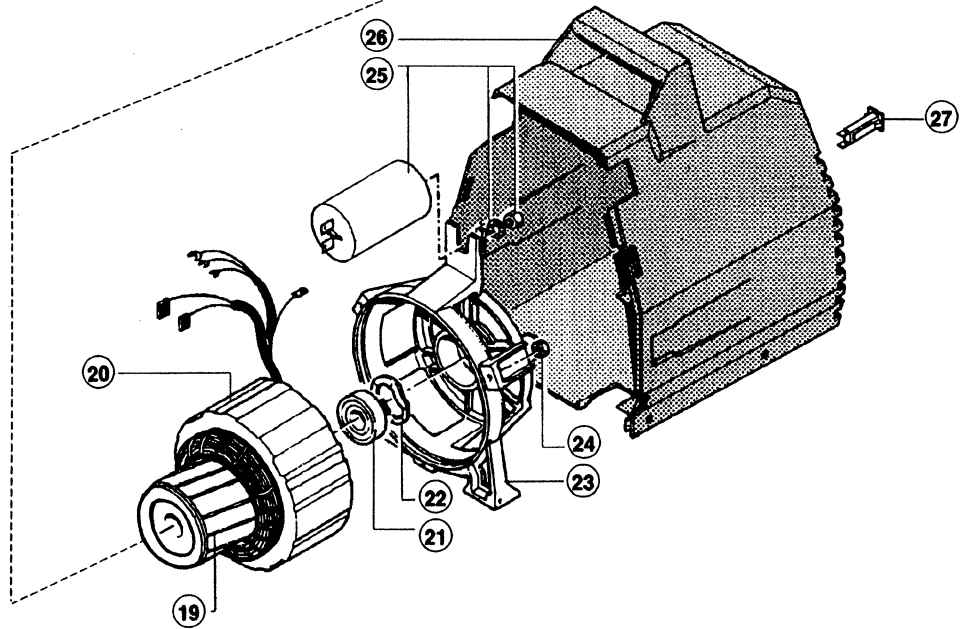
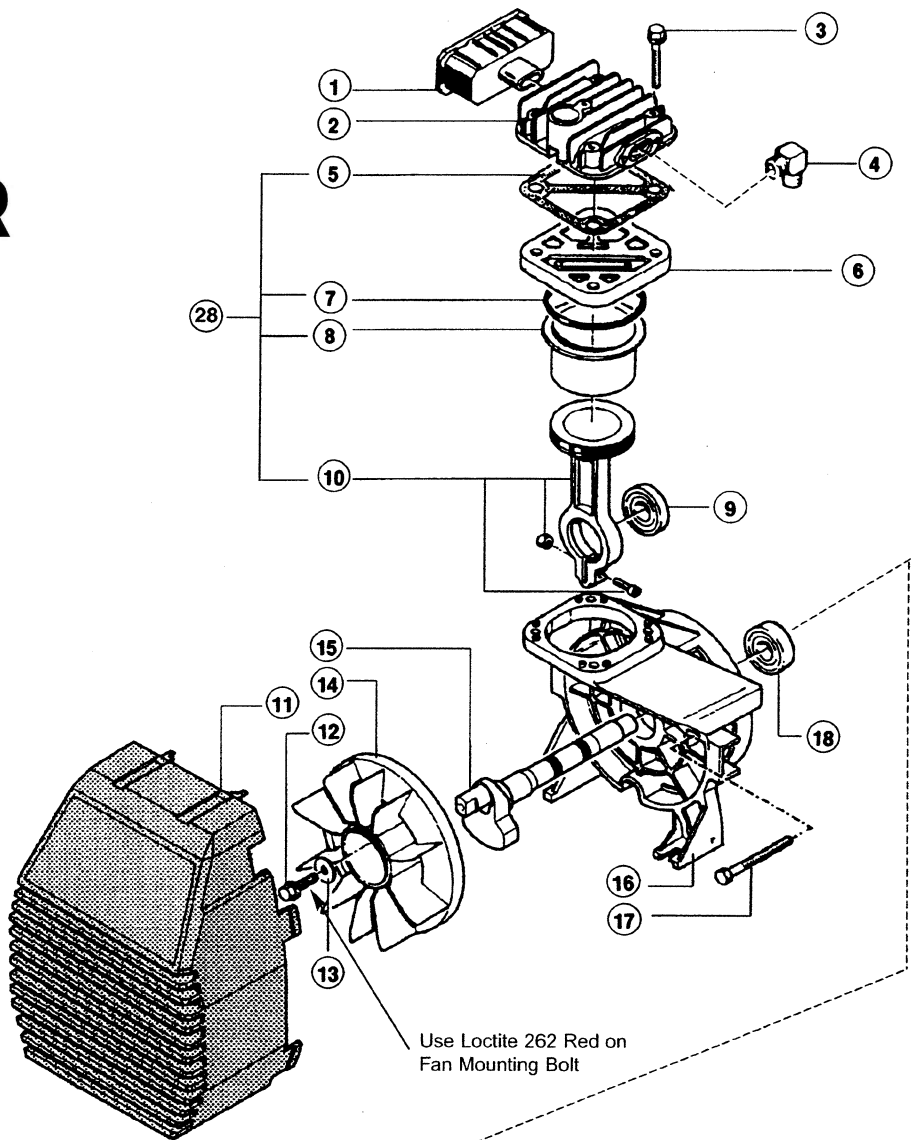
D075HPV5 D1500HPV5 OD1500LPV5
 D075LPV5 D2000HPV5 OD1500HPV5
 D1000LPV5 D2002HPV5

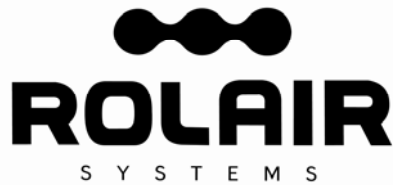
Schematic #	Description	Part #	Qty.
1	1 HP Pump Motor – Model D075HPV5	PMP11MK100FI	1
	1 HP Pump/Motor – Model D075LPV5	PMP11MK105FI	1
	1.5 HP Pump/Motor – Model D1000LPV5	PMP11MK135FI	1
	2 HP Pump/Motor – Model D1500HPV5	PMP11MK200FI	1
	2 HP Pump/Motor – Model OD1500LPV5*	PMP11MK150FI	1
	2 HP Pump/Motor – Model OD1500HPV5*	PMP11OL202FI	1
	2 HP Pump/Motor – Model D2000HPV5	PMP11MK200PFI**	1
	2 HP Pump/Motor – Model D2002HPV5	PMP11MK146FC**	1
2	Box Connector	160	2
3	Cord w/Plug	176	1
4	Pressure Switch	PS2020M	1
5	Pressure Switch Relief Valve	PS2020RV	1
6	¼" Nylon Tubing – 15"	178D	1.25'
	Brass Nut	BRNT0250	2
	Brass Ring	BRRG0250	2
	Brass Sleeve	BRSL0250	2
7	Nipple	BLNP0250X0875	1
8	Nipple	BLNP0250X1500	1
9	Tee	BLTE0250	1
10	Safety Valve	SRV0250N165	1
11	Gauge	GA0125200	2
12	Regulator	REG0250M	1
13	Quick Disconnect	308	1
14	Coupler Plug	310	1
15	Drain Valve	132B	1
16	Brass Elbow	BREL0500X037539	1
	Brass Straight - OD1500LPV5* Only	BRST0500X050038	1
17	½" Copper Tube	Specify Model/Serial #	1
18	Check Valve		
	D1500HPV5 & OD1500LPV5* Only	CV4X4TWB	1
	OD1500HPV5* Only	CV3X4TWB	1
	All other models	CV4X4T	1
	Bleeder Valve	CSV0125	1
19	Rubber Foot	219B	4
20	Tank Assembly	Specify Model	1
21	Screw	014006121F	2
22	Screw	MIS10036	4
23	Shroud - OD1500LPV5* Only	116004006F	1
	OD1500HPV5* Only	116005030F	1
	All other models	199657000F	1
24	Brass Elbow - OD1500HPV5* Only	BREL0500X037539	1
25	Screw	MIS10093C	4

*Oilless Models

**Location of intake filter is reversed from standard factory position. Please indicate model number when ordering.

ROLAIR
 SCHEMATIC FOR
 PMP110L202FI





ROLAIR SYSTEMS

606 S. Lake Street, P.O. Box 346
Hustisford Wisconsin 53034-0346
Phone: 920-349-3281
Sales Fax: 920.349.3691
Service Fax: 920.349.8861
www.rolair.com

PARTS LIST FOR PMP110L202FI

Schematic #	Description	Part #	Qty.
1	Intake Filter	317028000F	1
2	Head	116005031F	1
3	Bolt	014013027F	4
4	Brass Elbow	BREL0500X037539	1
5	Gasket	116005017F	1
6	Valve Plate Assembly	416005009F	1
7	O-Ring	010057000F	1
8	Cylinder	016005007F	1
9	Bearing	033059000F	1
10	Connecting Rod/Piston Assembly	416005002F	1
11	Fan Cover	116005010F	1
12	Bolt	014002027F	1
13	Washer	116010013F	1
14	Fan	116010004F	1
15	Crankshaft	116010006F	1
16	Crankcase	016010025F	1
17	Bolt	014002122F	3
18	Bearing	033028000F	1
19	Rotor	034128000F	1
20	Stator	316006641F	1
21	Bearing	033070000F	1
22	Ring	027011000F	1
23	Motor Housing	016010016F	1
24	Nut	014004001F	1
25	Capacitor	009200035F	1
26	Shroud	116005030F	1
27	Manual Reset Button	008055000F	1
28	Repair Kit Includes: O-Ring, Cylinder, Gasket, Piston (Items 5,7,8 & 10)	OL202REPKIT	1