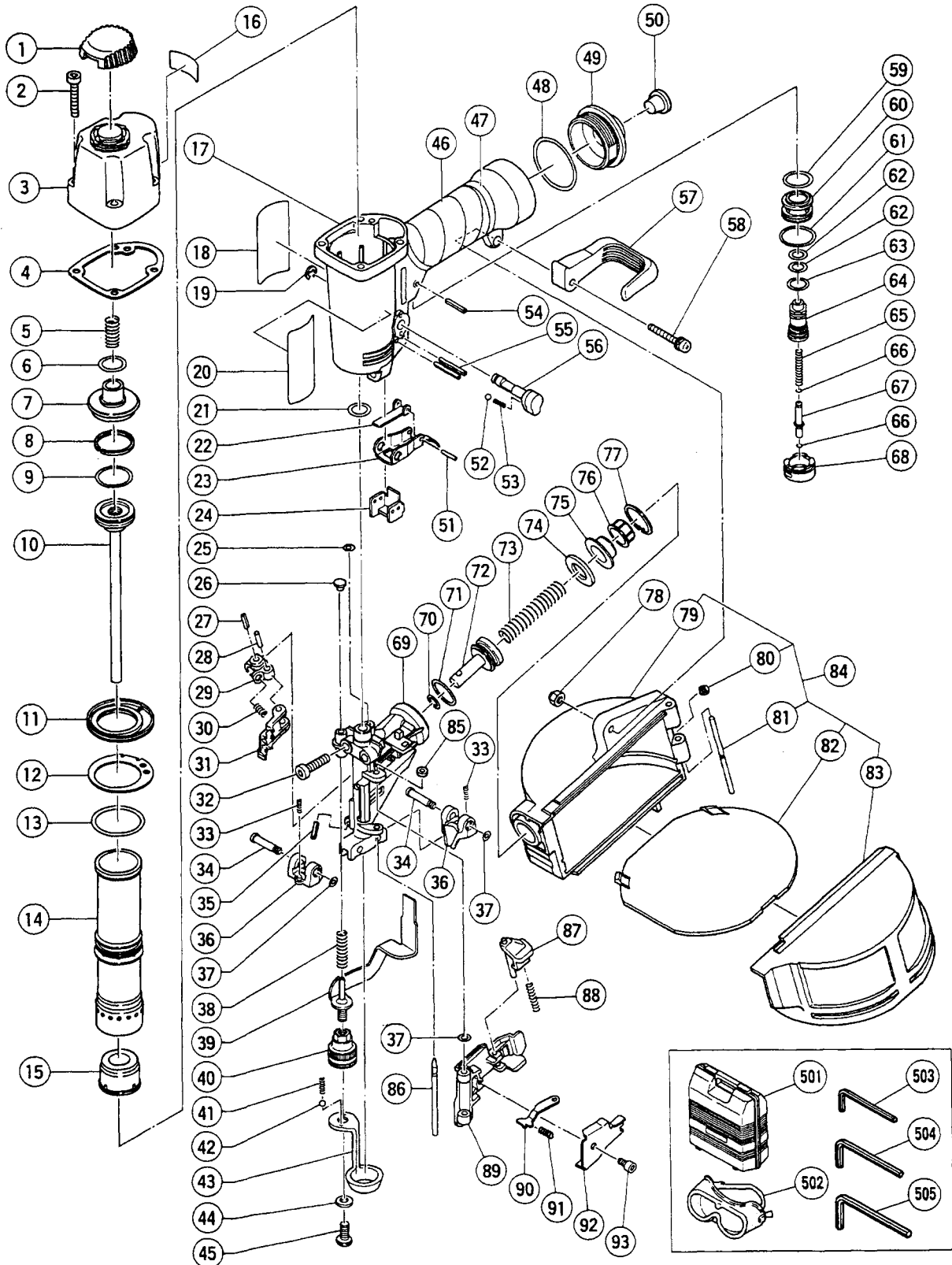


PNEUMATIC TOOL PARTS LIST

■ COIL NAILER
Model NV 50AG

1993 · 11 · 15
(E1)



PARTS

NV 50AG

ITEM NO.	CODE NO.	DESCRIPTION	NO. USED	REMARKS
1	880-191	TOP COVER	1	
2	949-822	HEX. SOCKET HD. BOLT M5X35 (10 PCS.)	4	
3	880-448	EXHAUST COVER	1	
4	880-198	GASKET (A)	1	
5	880-190	HEAD VALVE SPRING	1	
6	878-600	HEAD VALVE O - RING	1	
7	880-410	HEAD VALVE (A)	1	
8	878-596	PISTON RING	1	
9	880-195	PISTON O - RING	1	
10	880-440	PISTON	1	
11	880-186	CYLINDER PACKING	1	
12	880-187	CYLINDER WASHER (A)	1	
13	986-374	O - RING (P - 32)	1	
14	880-402	CYLINDER	1	
15	880-403	PISTON BUMPER	1	
16	878-499	CAUTION PLATE	1	
17	880-406	BODY ASS'Y	1	INCLUD.46,47
18		NAME PLATE	1	
19	955-479	RETAINING RING (E - TYPE) FOR D6 SHAFT	1	
20		HITACHI LABEL	1	
21	875-638	O - RING (S - 12)	1	
22	878-928	TRIGGER ARM	1	
23	878-927	TRIGGER	1	
24	880-194	PUSHING LEVER GUIDE	1	
25	873-093	O - RING (1AP - 3)	1	
26	880-176	ADJUSTER STOPPER	1	
27	949-770	ROLL PIN D4X14 (10 PCS.)	1	
28	983-545	NEEDLE ROLLER	1	
29	878-132	FEEDER ARM	1	
30	878-340	FEEDER SPRING	1	
31	880-433	FEEDER	1	
32	949-660	HEX. SOCKET HD. BOLT M6X20 (10 PCS.)	2	
33	880-447	SPRING	2	
34	880-443	GUIDE SHAFT	2	
35	949-496	ROLL PIN D3X16 (10 PCS.)	1	
36	880-442	VERTICAL GUIDE	2	
37	874-436	O - RING (P - 4)	3	
38	880-204	PUSHING LEVER SPRING	1	
39	880-171	PUSHING LEVER (B)	1	
40	880-383	ADJUSTER (B)	1	
41	880-175	ADJUSTER SPRING	2	
42	959-148	STEEL BALL D3.175 (10 PCS.)	2	
43	880-434	PUSHING LEVER (A)	1	
44	880-081	WASHER	1	
45	878-633	HEX. SOCKET HD. BOLT M6X14	1	
46	880-408	GRIP TAPE	1	
47	880-407	TAPE	2	
48	880-183	O - RING (I.D 37.2)	1	
49	880-379	CAP	1	
50	872-035	DUST CAP	1	
51	878-965	ROLL PIN D2.5X16	1	

*: ALTERNATIVE PARTS

PARTS

NV 50AG

ITEM NO.	CODE NO.	DESCRIPTION	NO. USED	REMARKS
52	959-155	STEEL BALL D3.97 (10 PCS.)	1	
53	982-454	SPRING (C)	1	
54	949-518	ROLL PIN D3X18 (10 PCS.)	1	
55	949-539	ROLL PIN D3X25 (10 PCS.)	2	
56	878-929	CHANGE KNOB	1	
57	880-560	HOOK	1	
58	997-234	MACHINE SCREW (W/WASHERS) M5X35	1	
59	877-899	HEAD VALVE O - RING (I.D 16.8)	1	
60	878-881	VALVE BUSHING (B)	1	
61	878-885	O - RING (S - 18)	1	
62	878-925	O - RING (I.D 8.8)	2	
63	878-887	O - RING (I.D 11)	1	
64	878-922	VALVE PISTON	1	
65	878-884	PLUNGER SPRING	1	
66	878-888	O - RING (I.D 1.8)	2	
67	878-923	PLUNGER	1	
68	878-880	VALVE BUSHING (A)	1	
69	880-430	NOSE	1	
70	872-645	O - RING (P - 9)	1	
71	944-488	O - RING (1AP - 20)	1	
72	878-579	FEED PISTON	1	
73	880-445	FEED SPRING	1	
74	877-711	BUMPER	1	
75	880-331	FEED PISTON COVER	1	
76	878-305	MAGAZINE BUSHING	1	
77	939-555	RETAINING RING FOR D28 HOLE (10 PCS.)	1	
78	877-371	NYLON NUT M5	1	
79	880-436	MAGAZINE	1	
80	872-971	RETAINING RING (E - TYPE) FOR D3 SHAFT	1	
81	880-439	HINGE PIN	1	
82	880-438	NAIL HOLDER	1	
83	880-437	MAGAZINE COVER	1	
84	880-435	MAGAZINE ASS'Y	1	INCLUD.79 - 83
85	880-319	SHAFT RING	1	
86	880-326	NAIL GUIDE SHAFT	1	
87	878-103	GUIDE LOCK	1	
88	880-446	SPRING	1	
89	880-431	NAIL GUIDE	1	
90	880-164	NAIL STOPPER (B)	1	
91	878-575	STOPPER SPRING	1	
92	880-432	NAIL GUIDE COVER	1	
93	880-413	NYLOCK HEX. SOCKET HD. BOLT M4X10	1	

∗∗: ALTERNATIVE PARTS

