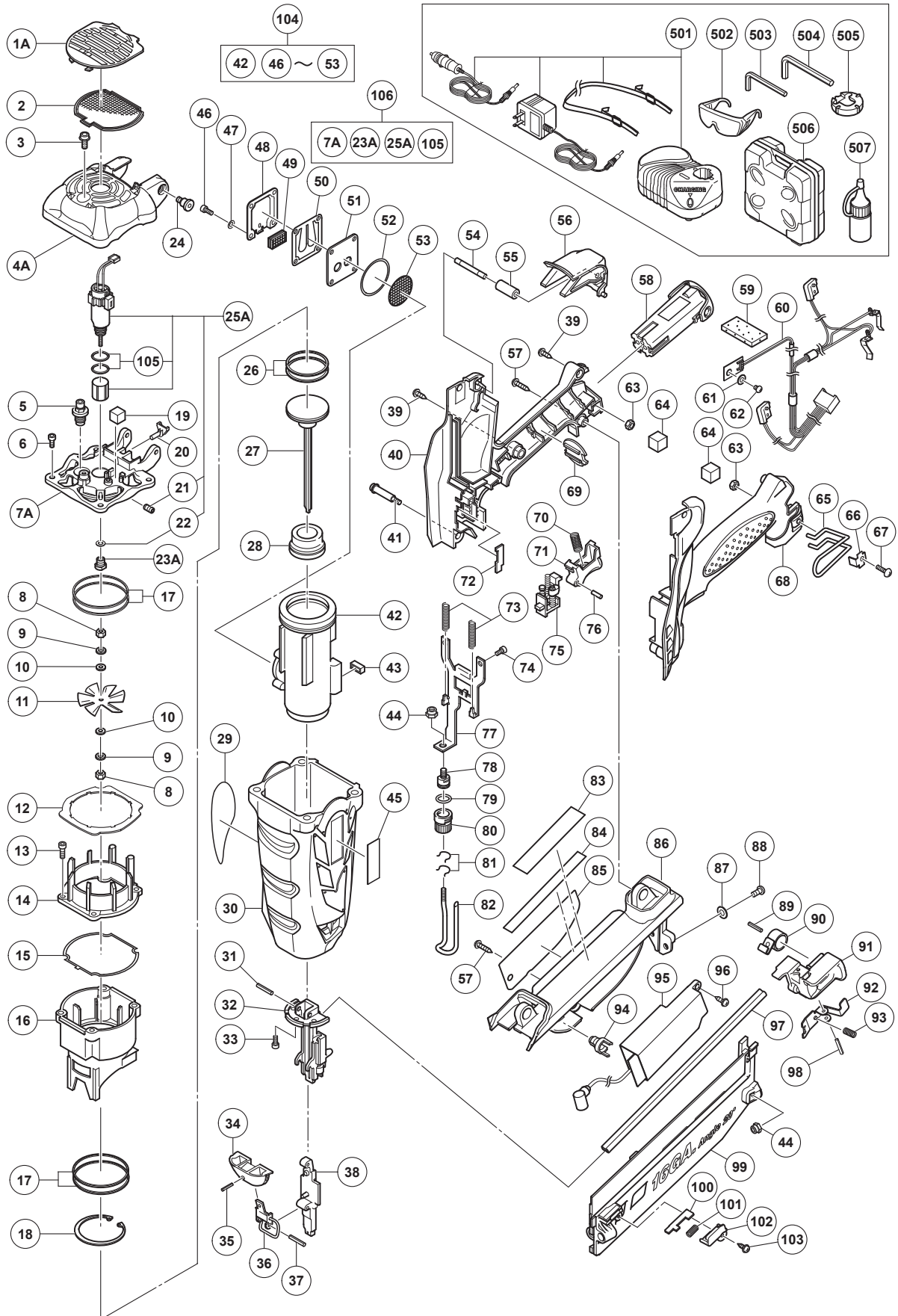


GAS TOOL PARTS LIST

■ GAS FINISH NAILER Model NT 65GB

2008·6·25
(E2)



PARTS

NT 65GB

ITEM NO.	CODE NO.	DESCRIPTION	NO. USED	REMARKS
1A	886-664	FILTER COVER	1	
2	886-344	FILTER MESH	1	
3	886-347	HEX. SOCKET HD. BOLT (W/FLANGE) M5X10	1	
4A	886-335	TOP COVER	1	
5	885-333	SPARK PLUG (A)	1	
6	880-630	NYLOCK HEX. SOCKET HD. BOLT M4X12	4	
7A	886-661	CYLINDER HEAD	1	
8	949-553	NUT M3 (10 PCS.)	2	
9	949-451	SPRING WASHER M3 (10 PCS.)	2	
10	949-422	WASHER M3 (10 PCS.)	2	
11	886-309	FAN	1	
12	886-568	RUBBER PLATE	1	
13	949-754	HEX. SOCKET HD. BOLT M4X16 (10 PCS.)	4	
14	886-295	CHAMBER HEAD	1	
15	886-296	GASKET	1	
16	886-297	CHAMBER	1	
17	886-312	PISTON RING (B)	4	
18	886-298	RETAINING RING FOR D40 HOLE	1	
19	886-315	PACKING	1	
20	886-313	ADAPTER	1	
21	886-314	HEX. SOCKET SET SCREW M4X5	2	
22	886-567	SHAFT RUBBER WASHER	1	
23A	886-663	SHAFT COVER	1	
24	886-566	HEX. SHOULDER BOLT M5	2	
25A	886-662	MOTOR ASS'Y	1	INCLUD. 21, 22
26	886-286	PISTON RING (A)	2	
27	886-573	PISTON	1	
28	886-289	PISTON BUMPER	1	
29		NAME PLATE	1	
30	886-549	HOUSING	1	
31	886-310	PIN	1	
32	886-575	BLADE GUIDE	1	
33	886-311	SEAL LOCK HEX. SOCKET HD. BOLT M4X12	3	
34	886-574	LOCK LEVER COVER	1	
35	949-776	ROLL PIN D3X10 (10 PCS.)	1	
36	886-329	LOCK LEVER	1	
37	949-496	ROLL PIN D3X16 (10 PCS.)	1	
38	886-576	GUIDE PLATE	1	
39	305-812	TAPPING SCREW (W/FLANGE) D4X16 (BLACK)	2	
40	886-317	HANDLE (B)	1	
41	886-565	HEX. SHOULDER BOLT M4X32	1	
42	886-284	CYLINDER	1	
43	886-285	CHAMBER STOP RUBBER	1	
44	877-371	NYLON NUT M5	3	
45	886-342	HITACHI PLATE	1	
46	886-307	SEAL LOCK HEX. SOCKET HD. BOLT M4X8	4	
47	886-319	BELLEVILLE SPRING H8	4	
48	886-287	BUFFER COVER	1	
49	886-288	MUFFLER	1	
50	886-290	REED VALVE	1	

PARTS

NT 65GB

ITEM NO.	CODE NO.	DESCRIPTION	NO USED	REMARKS
51	886-293	BUFFER PLATE	1	
52	886-294	O-RING	1	
53	886-292	MESH	1	
54	886-332	CELL PIN	1	
55	886-333	PIPE RUBBER	1	
56	886-326	ACTUATER	1	
57	302-086	TAPPING SCREW (W/FLANGE) D4X20 (BLACK)	2	
* 58	326-299	BATTERY EBM 315 (EUROPE, AUS, NZL)	2	
* 58	326-263	BATTERY EBM 315 (USA, CAN)	2	
59	886-316	SUPPORT (B)	1	
60	886-321	INTERNAL WIRE (A)	1	
61	949-423	WASHER M4 (10 PCS.)	1	
62	949-216	MACHINE SCREW M4X10 (10 PCS.)	1	
63	886-330	LOCK NUT M4 (BLACK)	2	
64	886-325	PACKING	2	
65	886-345	HOOK	1	
66	886-571	HOOK PLATE	1	
67	886-346	TRUSS HD. SCREW M4 (BLACK)	1	
68	886-323	HANDLE (A)	1	
69	326-316	TERMINAL SUPPORT	1	
70	886-328	TRIGGER SPRING	1	
71	886-327	TRIGGER	1	
72	886-324	CORD COVER PLATE	1	
73	886-301	CHAMBER SPRING	2	
74	886-308	SEAL LOCK HEX. SOCKET HD. BOLT M4X10	2	
75	886-552	TRIGGER STOPPER	1	
76	949-890	PIN D3X20 (10 PCS.)	1	
77	886-299	PUSHING LEVER ARM	1	
78	886-300	PUSHING LEVER PIECE	1	
79	992-912	O-RING (S-8)	1	
80	886-338	ADJUSTER	1	
81	886-331	RATCHET SPRING	2	
82	886-578	PUSHING LEVER (A)	1	
83		CAUTION LABEL (A)	1	
* 84		CAUTION LABEL	1	FOR EUROPE
* 85		WARNING LABEL	1	
* 85		WARNING LABEL	1	FOR USA, CAN
86	886-583	MAGAZINE COVER	1	
87	949-431	BOLT WASHER M5 (10 PCS.)	2	
88	885-997	MACHINE SCREW M5X15 (BLACK)	2	
89	949-496	ROLL PIN D3X16 (10 PCS.)	1	
90	881-755	RIBBON SPRING	1	
91	886-340	NAIL FEEDER (B)	1	
92	886-579	NAIL FEEDER (A)	1	
93	886-604	STOPPER SPRING (C)	1	
94	886-322	PRISM	1	
95	886-320	CONTROLLER	1	
96	325-083	TAPPING SCREW (W/FLANGE) D4X12 (BLACK)	1	
97	886-580	NAIL RAIL	1	
98	886-605	ROLL PIN D2.5X26	1	

PARTS

NT 65GB

ITEM NO.	CODE NO.	DESCRIPTION	NO. USED	REMARKS
99	886-577	MAGAZINE	1	
100	886-606	PUSHING STOPPER (B)	1	
101	886-619	PUSHING STOPPER SPRING	1	
102	886-607	PUSHING STOPPER COVER (B)	1	
103	306-371	TAPPING SCREW (W/FLANGE) D3X10 (BLACK)	1	
104	886-550	CYLINDER ASS'Y (A)	1	INCLUD. 42, 46-53
105	875-638	O-RING (S-12)	2	
106	886-668	CYLINDER HEAD ASS'Y	1	INCLUD. 7A, 23A, 25A, 105 TILL 04. 2008

STANDARD ACCESSORIES

ITEM NO.	CODE NO.	DESCRIPTION	NO. USED	REMARKS
501		CHARGER (MODEL UC 3SML)	1	
502	875-769	SAFETY GLASSES	1	
503	943-277	HEX. BAR WRENCH 3MM	1	
504	944-458	HEX. BAR WRENCH 4MM	1	
505	886-349	NOSE CAP (A)	1	
506	886-608	CASE	1	
* 507	886-036	LUBRICANT OILER (B)	1	FOR EUROPE