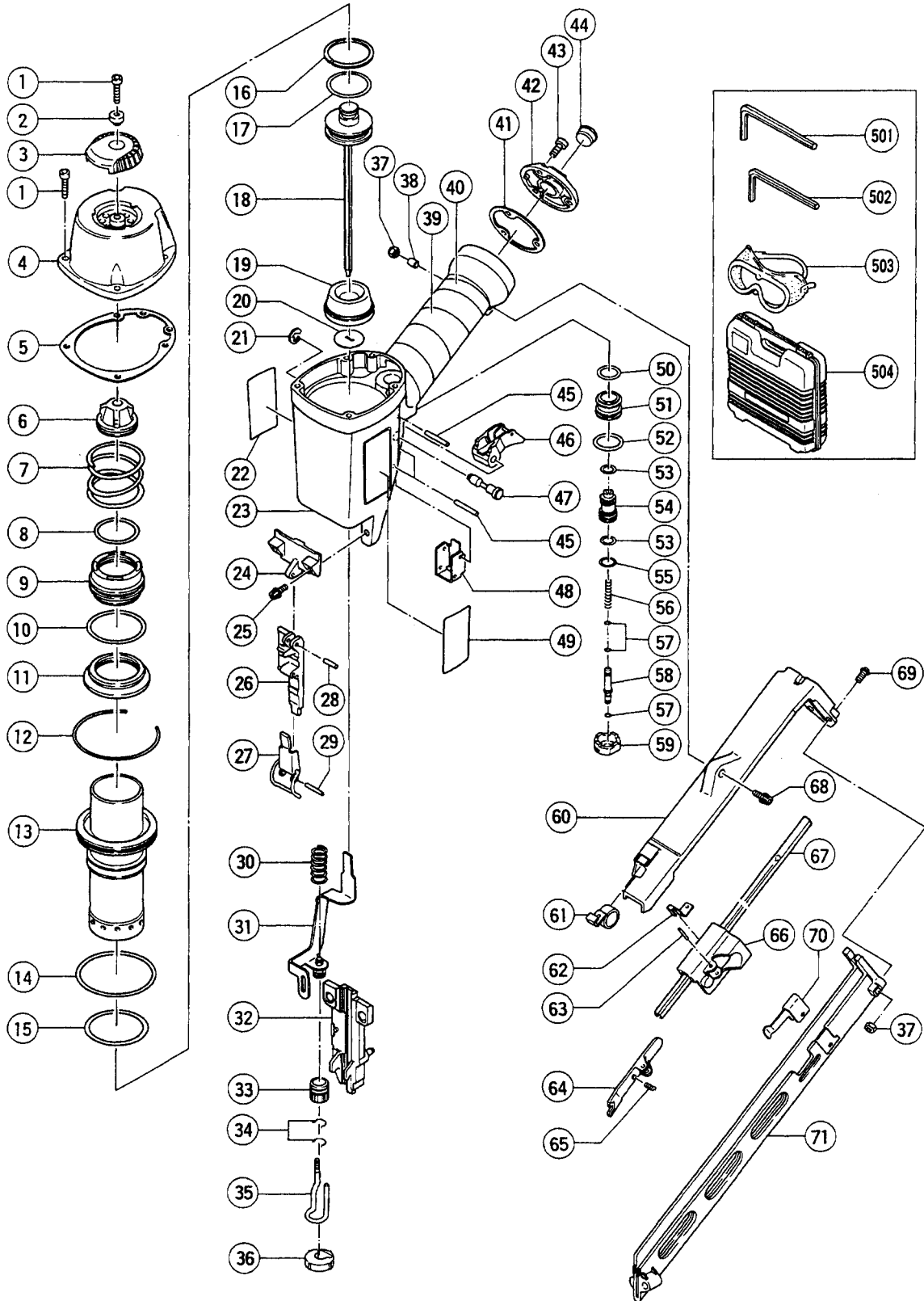
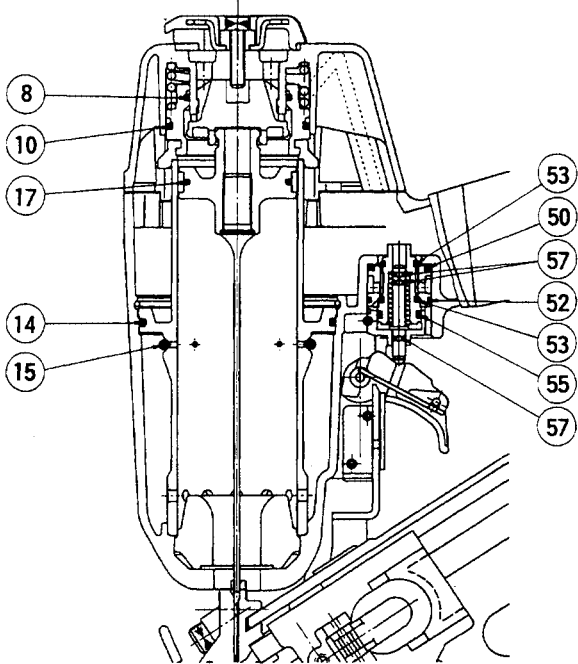


PNEUMATIC TOOL PARTS LIST

■ FINISH NAILER
Model NT 65AA

1997 • 3 • 25
(E1)





PARTS

NT 65AA

ITEM NO.	CODE NO.	DESCRIPTION	NO. USED	REMARKS
1	949-757	HEX. SOCKET HD. BOLT M5X20 (10 PCS.)	5	
2	880-360	SLEEVE	1	
3	880-359	TOP COVER	1	
4	880-385	EXHAUST COVER	1	
5	880-358	GASKET	1	
6	881-761	EXHAUST VALVE RUBBER (A)	1	
7	880-356	HEAD VALVE SPRING	1	
8	980-879	O - RING (S - 34)	1	
9	880-354	HEAD VALVE	1	
10	878-714	CYLINDER O - RING (C) I.D 44.7	1	
11	881-760	HEAD VALVE RUBBER (A)	1	
12	880-669	RETAINING	1	
13	881-759	CYLINDER	1	
14	877-312	CYLINDER O - RING (I.D 63.1)	1	
15	878-716	O - RING (P - 46)	1	
16	881-740	PISTON RING	1	
17	880-311	O - RING (I.D 34.2)	1	
18	881-763	PISTON	1	
19	881-741	PISTON BUMPER	1	
20	881-756	BUMPER SHEET	1	
21	955-479	RETAINING RING (E - TYPE) FOR D6 SHAFT	1	
22	878-184	WARNING LABEL	1	
23	881-757	BODY ASS'Y	1	INCLUD.39,40
24	881-764	GUIDE PLATE (B)	1	
25	949-661	HEX. SOCKET HD. BOLT M6X30 (10 PCS.)	2	
26	881-743	GUIDE PLATE (A)	1	
27	881-747	LOCK LEVER	1	
28	949-770	ROLL PIN D4X14 (10 PCS.)	1	
29	949-685	ROLL PIN D3X20 (10 PCS.)	1	
30	877-894	HOLDER SPRING	1	
31	881-749	PUSH LEVER (B)	1	
32	881-742	BLADE GUIDE	1	
33	881-748	ADJUSTER	1	
34	881-765	RATCHET SPRING	2	
35	881-750	PUSH LEVER (A)	1	
36	881-751	NOSE CAP (A)	1	
37	877-371	NYLON NUT M5	3	
38	881-774	SLEEVE	1	
39	881-768	GRIP TAPE (A)	1	
40	880-407	TAPE	2	
41	881-769	GASKET (B)	1	
42	881-758	CAP (A)	1	
43	949-821	HEX. SOCKET HD. BOLT M5X16 (10 PCS.)	3	
44	872-035	DUST CAP	1	
45	949-865	ROLL PIN D3X28 (10 PCS.)	3	
46	880-674	TRIGGER (A)	1	
47	881-771	TRIGGER PIN	1	
48	880-361	PUSHING LEVER GUIDE	1	
49		NAME PLATE	1	
50	877-699	HEAD VALVE O - RING (I.D 16.8)	1	
51	878-881	VALVE BUSHING (B)	1	

*: ALTERNATIVE PARTS

