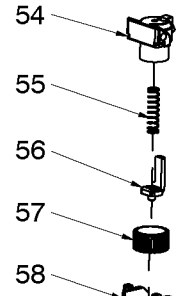
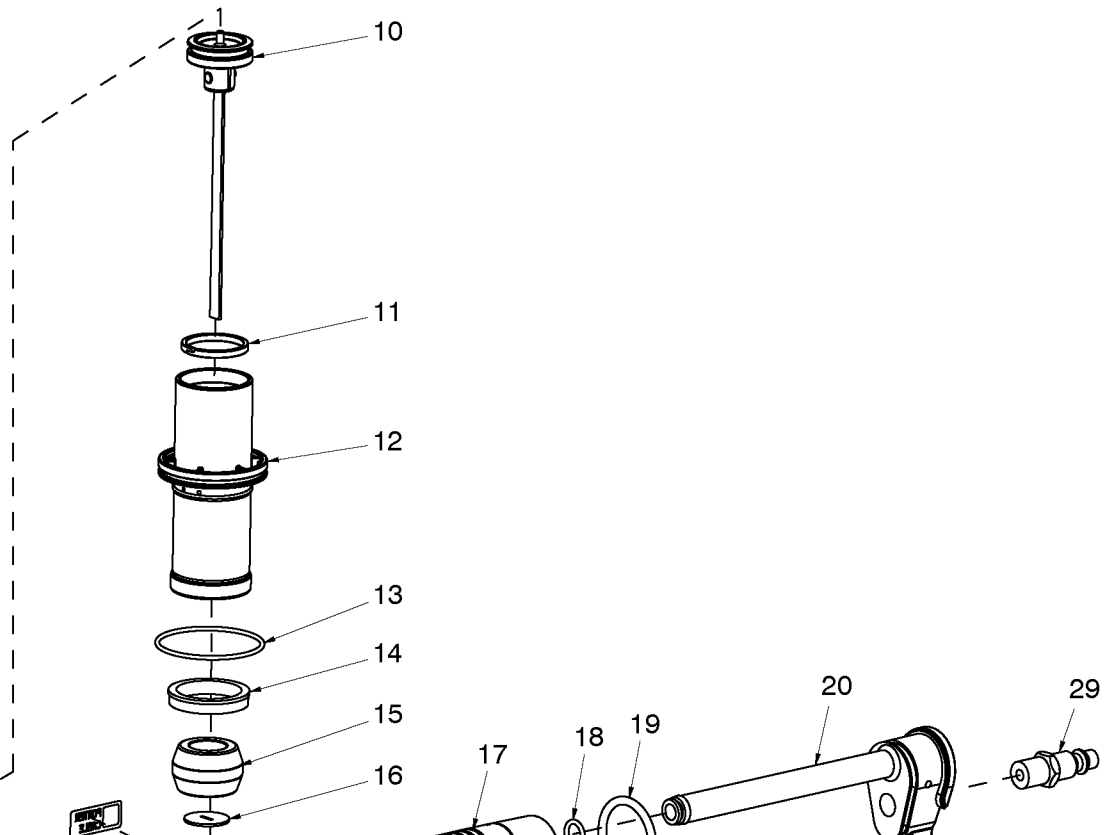
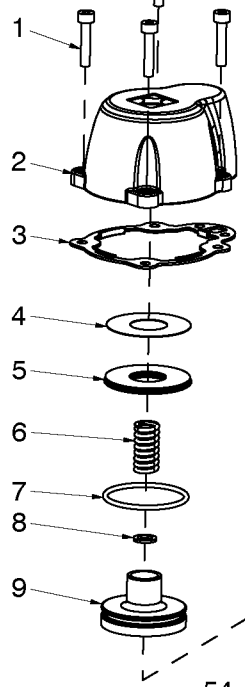
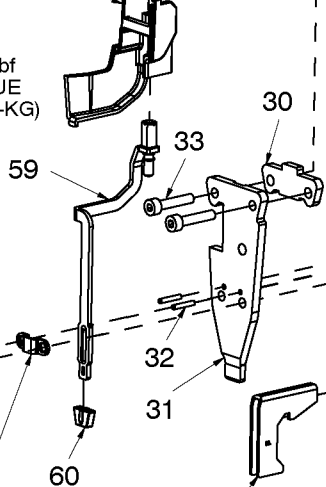


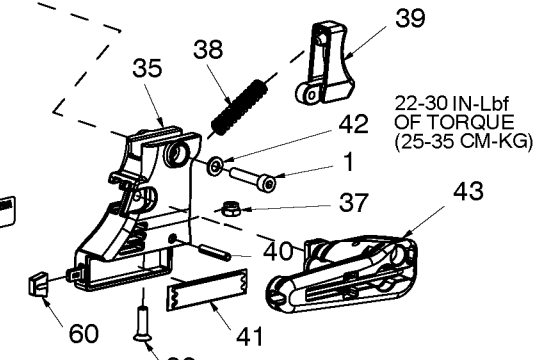
37-42 IN-Lbf  
OF TORQUE  
(42-48 CM-KG)  
4 PLACES



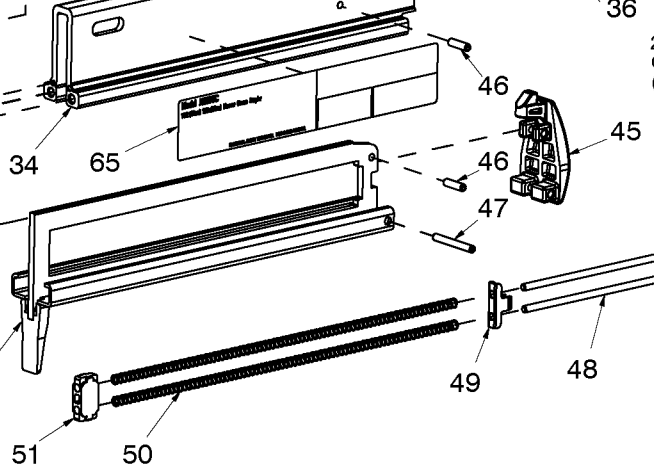
39-45 IN-Lbf  
OF TORQUE  
(45-52 CM-KG)  
2 PLACES



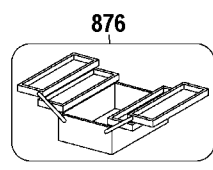
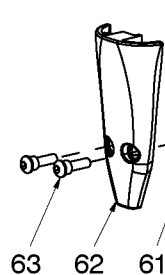
22-30 IN-Lbf  
OF TORQUE  
(25-35 CM-KG)



22-30 IN-Lbf  
OF TORQUE  
(25-35 CM-KG)



22-30 IN-Lbf  
OF TORQUE  
(25-35 CM-KG)  
2 PLACES



## Parts List for NS150C Type 1

Item Number	Part Number	Description	Qty Required
1	182237	SCREW	5
2	9R195291	FRAME CAP-MACHINING	1
3	9R195349	GASKET-FRAME/CAP	1
4	180445	PLATE	1
5	180446	SEAL	1
6	180447	SPRING	1
7	180448	O RING	1
8	180449	WASHER FLAT	1
9	180450-S	HEAD VALVE BODY	1
10	180205	ASSEMBLY-PISTON/DRIV	1
11	180457	RING-PISTON	1
12	9R195284	SLEEVE- CYLINDER	1
13	851483-S	O-RING	1
14	180460	CHECK SEAL	1
15	180461	BUMPER	1
16	180462	DRIVER GUIDE	1
17	9R195288	ASSEMBLY-FRAME	1
18	9R195331	O-RING	1
19	9R195332	O-RING	1
20	9R195281	END CAP	1
21	9R195285	PIN SPRING	1
22	180503	PIN SPRING	1
23	9R195308	ASSEMBLY-TRIGGER VAL	1
24	195329	SPRING	1
25	9R195327	PIN SPRING	2
26	9R195309	ASSEMBLY-S.T.TRIGGER	1
27	9R195317	PIN	1

## Parts List for NS150C Type 1

Item Number	Part Number	Description	Qty Required
28	174073	O-RING	1
29	152183	CONNECTOR MALE 1/4NP	1
30	180208	PLATE-DRIVER	1
31	9R195369	NOSE	1
32	180490	PIN SPRING	2
33	100260	SCREW	2
34	9R195362	MAGAZINE-FIXED-MACHI	1
35	9R195360	BRACKET- MAGAZINE	1
36	174307	SCREW-SFHCS-M4X0.7X1	1
37	MHE4070-100	ELASTIC STOP NUT-M4	2
38	180528	SPRING	1
39	9R195364	LATCH	1
40	107583	PIN SPRING	1
41	120927	LABEL-SENSOR SMALL (	1
42	180504	WASHER, FLAT	1
43	9R195323	ASSEMBLY-BELT HOOK	1
44	180206	ASSEMBLY-MAGAZINE CO	1
45	180201	END CAP-MAGAZINE	1
46	MPG030012	PIN SPRING	2
47	180567	PIN SPRING	1
48	180526	ROD-SPRING GUIDE	2
49	180200	SUPPORT-SLIDING GUID	1
50	180527	SPRING	2
51	180199	GUIDE-SLIDING	1
52	9R195363	PUSHER	1
53	174345	PIN SPRING	1
54	180514	GUIDE-UPPER TRIP	1

## Parts List for NS150C Type 1

Item Number	Part Number	Description	Qty Required
55	180513	SPRING	1
56	180510	ASSEMBLY-UPPER CONTA	1
57	180573	ADJUSTING KNOB	1
58	9R195365	GUIDE-LOWER CONTACT	1
59	9R195366	ASSEMBLY-TRIP	1
60	9R195324	FOOT-CONTACT(NO MAR)	2
61	180207	BRACKET-TRIP	1
62	9R195368	COVER-NOSE	1
63	180587	SHOULDER SCREW-M4.0X	2
64	9R195604	LABEL	2
65	9R195605	LABEL MODEL NO	1
66	9R195606	LABEL WARNING	1
876	BN200C-TVK	KIT-TRIGGER VALVE	1
876	BN200C-OK	KIT OVERHAUL	1
876	BN200C-CTK	KIT-CONTACT TRIGGER	1
876	NS150C-DK	KIT DRIVER BLADE	1