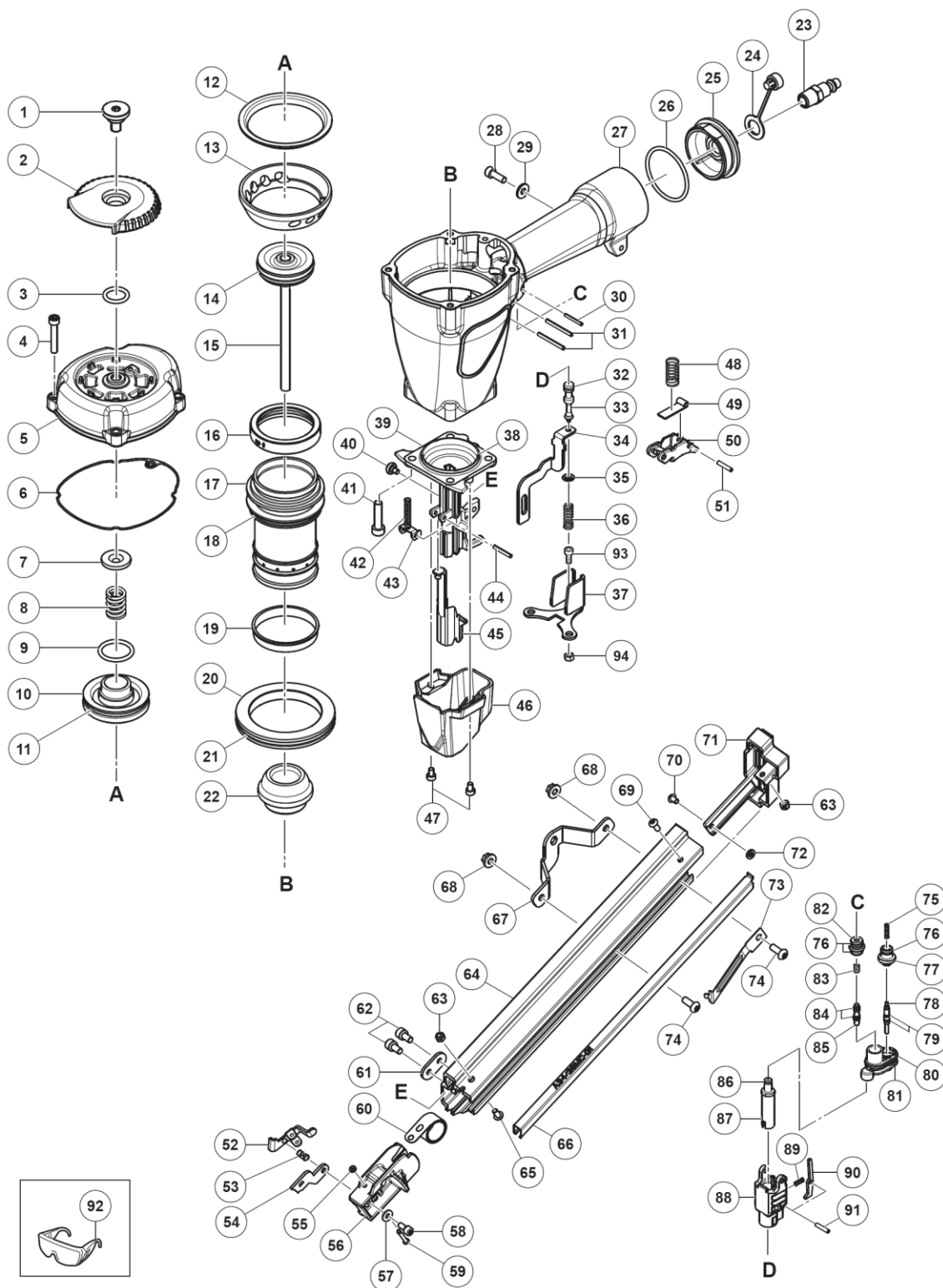


## PNEUMATIC TOOL PARTS LIST

■ STRIP NAILER  
Model NR 38AK

2019 • 02 • 05  
(E1a)



REV.2

| 形名     | 尺度 | 図番      |
|--------|----|---------|
| NR38AK | %  | TU02073 |

## PARTS

NR38AK

| ITEM NO. | CODE NO. | DESCRIPTION            | NO. USED | REMARKS |
|----------|----------|------------------------|----------|---------|
| 1        | 888574   | DEFLECTOR PAD          | 1        |         |
| 2        | 888575   | DEFLECTOR              | 1        |         |
| 3        | 888576   | O - RING               | 1        |         |
| 4        | 888577   | HEX.SOC.HD.BOLT        | 4        |         |
| 5        | 888578   | CAP                    | 1        |         |
| 6        | 888579   | PACKING                | 1        |         |
| 7        | 888581   | SEAL                   | 1        |         |
| 8        | 888580   | COMPRESSION SPRING     | 1        |         |
| 9        | 888582   | O - RING               | 1        |         |
| 10       | 888583   | HD.VALVE PISTON        | 1        |         |
| 11       | 888584   | O - RING               | 1        |         |
| 12       | 888585   | PRESS RING             | 1        |         |
| 13       | 888586   | CYLINDER PRESS RING    | 1        |         |
| 14       | 888587   | O-RING                 | 1        |         |
| 15       | 888588   | DRIVER UNIT            | 1        |         |
| 16       | 888531   | COLLAR                 | 1        |         |
| 17       | 888589   | CYLINDER               | 1        |         |
| 18       | 888590   | O - RING               | 1        |         |
| 19       | 888591   | CYLINDER RING          | 1        |         |
| 20       | 888592   | CYLINDER SPACER        | 1        |         |
| 21       | 888593   | O - RING               | 1        |         |
| 22       | 888594   | BUMPER                 | 1        |         |
| 23       | 888545   | AIR PLUG               | 1        |         |
| 24       | 888544   | AIR PLUG CAP           | 1        |         |
| 25       | 888612   | END CAP                | 1        |         |
| 26       | 888613   | O - RING               | 1        |         |
| 27       | 888611   | GUN BODY UNIT          | 1        |         |
| 28       | 888651   | HEX.SOC.HD.BOLT        | 1        |         |
| 29       | 888652   | FLAT WASHER            | 1        |         |
| 30       | 888609   | SPRING PIN             | 1        |         |
| 31       | 888610   | SPRING PIN             | 2        |         |
| 32       | 890197   | O - RING               | 1        |         |
| 33       | 888624   | ACTUATION VALVE        | 1        |         |
| 34       | 888625   | SAFETY B               | 1        |         |
| 35       | 888626   | SNAP NUT               | 1        |         |
| 36       | 888627   | SAFETY SPRING          | 1        |         |
| 37       | 888628   | SAFETY STOPPER         | 1        |         |
| 38       | 888614   | O - RING               | 1        |         |
| 39       | 888615   | NOSE PIECE             | 1        |         |
| 40       | 888638   | HALF ROUND HD.HEX.BOLT | 1        |         |
| 41       | 888616   | HEX.SOC.HD.BOLT        | 1        |         |
| 42       | 888622   | SAFETY SPRING          | 1        |         |
| 43       | 888619   | SPRING BASE            | 1        |         |
| 44       | 888645   | SPRING PIN             | 1        |         |
| 45       | 888621   | SAFETY A               | 1        |         |
| 46       | 888620   | SAFETY COVER           | 1        |         |
| 47       | 888617   | HEX.SOC.HD.BOLT        | 1        |         |
| 48       | 888605   | SPRING                 | 1        |         |
| 49       | 888606   | SECONDARY TRIGGER      | 1        |         |
| 50       | 888607   | TRIGGER                | 1        |         |
| 51       | 888608   | SPRING PIN             | 1        |         |
| 52       | 888629   | PUSHER                 | 1        |         |
| 53       | 888630   | SPRING                 | 1        |         |
| 54       | 888631   | POSITIONING SHEET      | 1        |         |
| 55       | 888476   | URETHANE RETAINER      | 1        |         |
| 56       | 888632   | PROTECTING HOOD COVER  | 1        |         |
| 57       | 888618   | FLAT WASHER            | 1        |         |
| 58       | 888633   | BOLT ASSY              | 1        |         |
| 59       | 888634   | FIXED PIN              | 1        |         |
| 60       | 888637   | SPRING                 | 1        |         |



