

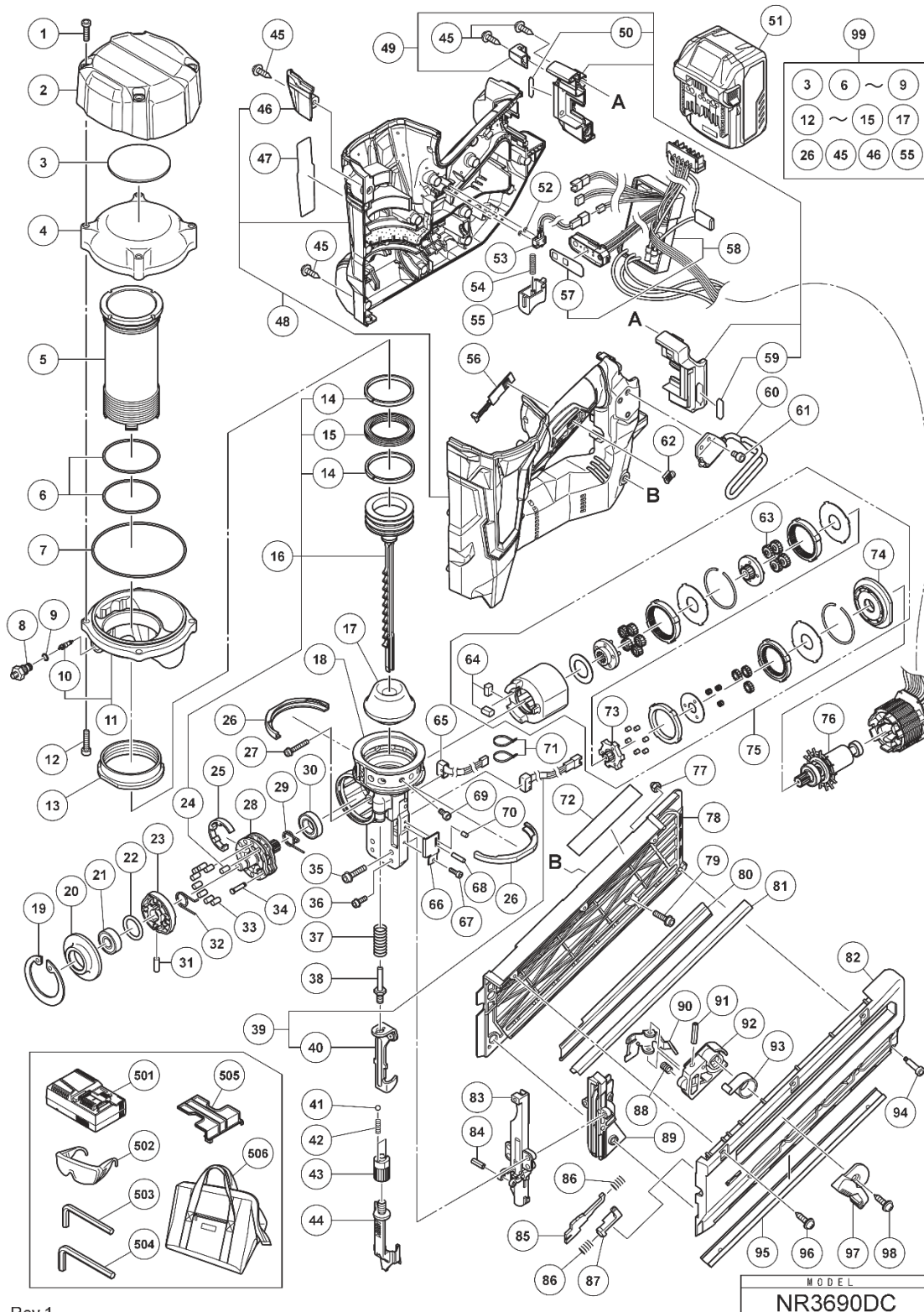
## PNEUMATIC TOOL PARTS LIST

CORDLESS STRIP NAILER

2021 • 05 • 25

Model NR 3690DC

(E1)



Rev.1

## PARTS

NR3690DC

ITEM NO.	CODE NO.	DESCRIPTION	NO. USED	REMARKS
1	372298	HEX. SOCKET HD. BOLT M6	4	
2	372296	TOP COVER	1	
3	371012	RUBBER CUSHION (C)	1	
4	372337	CHAMBER COVER	1	
5	372335	CYLINDER	1	
6	372336	O-RING (I.D 55.5)	2	
7	372334	O-RING (I.D 94.5)	1	
8	376085	CHARGE CAP	1	
9	872822	O-RING (S-5)	1	
10	371038	VALVE CORE	1	
11	372388	CHAMBER BASE ASS'Y	1	INCLUD.10
12	372338	NYLOCK BOLT M6	4	
13	372339	SPECIAL NUT M58	1	
14	372320	SLIDE RING	2	
15	372319	X-RING	1	
16	372318	PISTON ASS'Y	1	INCLUD.14.15.24
17	377103	PISTON BUMPER	1	
18	375366	NOSE	1	
19	372332	RETAINING RING D52	1	
20	372989	BEARING HOLDER	1	
21	6000VV	BALL BEARING 6000VVCMP52L	1	
22	372329	O-RING (I.D 20.22)	1	
23	372327	POSITION DETECTOR	1	
24	372326	NEEDLE ROLLER D4.5	1	
25	372330	FELT (P)	1	
26	372343	RUBBER CUSHION (A)	2	
27	372310	NYLOCK BOLT (W/FLANGE) M4X25	1	
28	372321	PIN WHEEL	1	
29	372323	WHEEL SPRING (B)	1	
30	6902VV	BALL BEARING 6902VV	1	
31	372328	NEEDLE ROLLER D3	1	
32	372322	WHEEL SPRING (A)	1	
33	372325	NEEDLE ROLLER D4	8	
34	372324	PIN (A)	1	
35	372355	NYLOCK BOLT (W/FLANGE) M5X22	2	
36	372311	NYLOCK BOLT (W/FLANGE) M4X14	2	
37	372307	PUSHING LEVER SPRING (B)	1	
38	376289	SPECIAL BOLT M6	1	
39	377096	SENSOR ASS'Y (B)	1	INCLUD.40
40	376813	PUSHING LEVER (B)	1	
41	959148	STEEL BALL D3.175 (10 PCS.)	2	
42	372315	ADJUSTER SPRING	2	
43	376082	ADJUSTER	1	
44	376810	PUSHING LEVER (A)	1	
45	301653	TAPPING SCREW (W/FLANGE) D4X20 (BLACK)	17	
46	372297	HOUSING (C)	1	
47		LABEL	1	
48	376283M	HOUSING ASS'Y	1	INCLUD.46
49	376083	HOUSING (D).(E).(F) ASS'Y	1	INCLUD.50.59
50	373914	MV LABEL (B)	1	
51	371751M	BATTERY BSL 36A18 (USA.CAN)	1	INCLUD.505
52	881715	O-RING (S3)	2	
53	371019	SWITCH CABLE (A)	1	
54	332000	SPRING (T)	1	
55	371021	TRIGGER	1	
56	331790	LEVER (C)	1	
57	376290	PANEL SHEET	1	
58	376811	WIRING ASS'Y	1	INCLUD.57
59	373913	MV LABEL (A)	1	
60	373203	HOOK	1	
61	878614	NYLOCK HEX. SOCKET HD. BOLT M4X8	3	
62	326276	LEVER (A)	1	
63	375182	PLANET GEAR (B) SET (4 PCS.)	4	

**PARTS**

NR3690DC

ITEM NO.	CODE NO.	DESCRIPTION	NO. USED	REMARKS
64	372342	BUMPER (B)	2	
65	376288	SENSOR (C)	1	
66	372312	GUIDE PLATE (P)	1	
67	331184	NYLOCK HEX. SOCKET HD. BOLT M3	1	
68	887856	ROLL PIN D2.5X16	1	
69	372340	HEX. SOCKET HD. BOLT M5	1	
70	372304	ROLL PIN D2.5X8	1	
71	6696839	WIRE BAND	2	
72	376086	CAUTION LABEL	1	
73	374602	PINION (B)	1	
74	376547	MOTOR SPACER	1	
75	376546	GEAR BOX ASS'Y	1	INCLUD.63.64.73.74
76	361071	ROTOR	1	
77	372353	CAP NUT M3	1	
78	372345	MAGAZINE COVER (B)	1	
79	372354	NYLOCK BOLT (W/FLANGE) M5	1	
80	372347	MAGAZINE PLATE	1	
81	885341	NAIL RAIL	1	
82	372344	MAGAZINE COVER (A)	1	
83	372309	BLADE GUIDE (A)	1	
84	949685	ROLL PIN D3X20 (10 PCS.)	1	
85	372349	PUSHING LEVER STOPPER (A)	1	
86	372350	SPRING	2	
87	372351	PUSHING LEVER STOPPER (B)	1	
88	883687	SPRING	1	
89	372346	BLADE GUIDE (B)	1	
90	885323	NAIL FEEDER (A)	1	
91	949506	ROLL PIN D4X28 (10 PCS.)	1	
92	885324	NAIL FEEDER (B)	1	
93	885325	RIBBON SPRING	1	
94	372352	STEP BOLT M3	1	
95	372348	MAGAZINE GUARD	1	
96	307811	TAPPING SCREW (W/FLANGE) D4X16 (BLACK)	3	
97	886246	FEEDER KNOB	1	
98	302089	TAPPING SCREW (W/FLANGE) D5X20 (BLACK)	1	
99	373205	REPAIR PARTS SET (NR)	1	INCLUD.3.6-9.12-15.17.26.45.46.55

