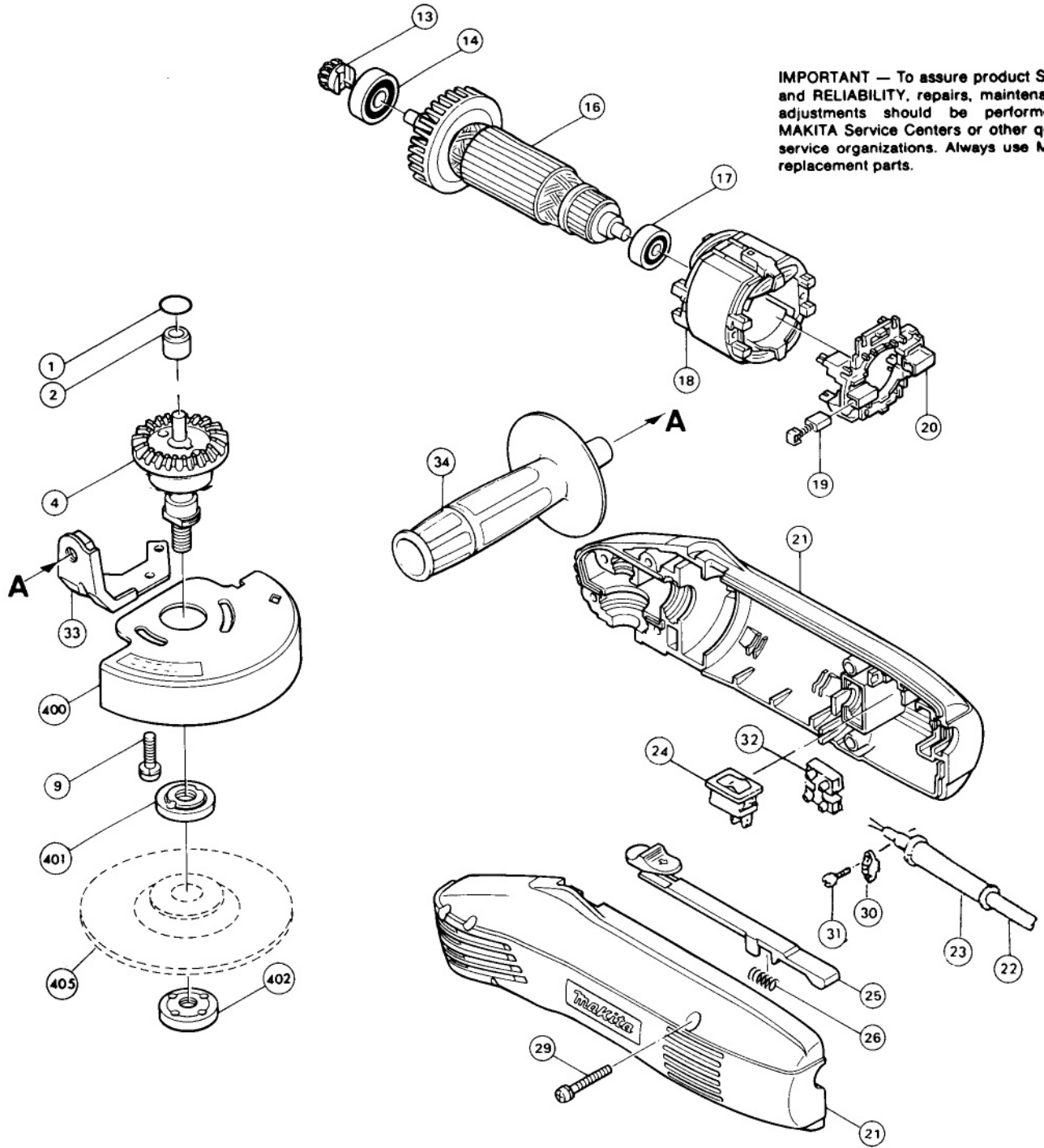




4" (100mm) ANGLE GRINDER

MODEL N900



IMPORTANT — To assure product **SAFETY** and **RELIABILITY**, repairs, maintenance or adjustments should be performed by **MAKITA** Service Centers or other qualified service organizations. Always use **MAKITA** replacement parts.

WIRING DIAGRAM

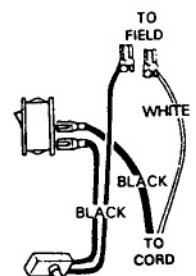


Fig.	Part No.	Qty. Used	Description	Fig.	Part No.	Qty. Used	Description
1	213114-8	1	O-RING	26	231496-6	1	COMPRESSION SPRING 6
2	212043-2	1	NEEDLE BEARING 8-10	29	911158-9	6	PAN HEAD SCREW M4X30
4	153223-0	1	GEAR COMPLETE	30	687063-9	1	CORD CRAMP, YELLOW
9	911234-9	2	PAN HEAD SCREW M5X20	31	265995-6	1	TAPPING SCREW M4X18
13	226708-0	1	SPIRAL BEVEL GEAR 11	32	654531-7	1	TERMINAL BLOCK
14	211088-7	1	BALL BEARING 6000DDW	33	164329-9	1	GRIP HOLDER
16	517011-3	1	ARMATURE ASSEMBLY 115V (Incl. Fig. 14, 17)	34	152487-3	1	GRIP 36, M8
17	211026-9	1	BALL BEARING 627LLB	ACCESSORIES			
18	633231-2	1	FIELD 115V	400	342554-4	1	WHEEL COVER 4"
19	191927-6	1	CARBON BRUSH SET CB-407	401	224291-1	1	INNER FLANGE 35
20	632098-5	1	TERMINAL BASE COMPLETE	402	224545-6	1	LOCK NUT 10-35
21	182781-9	1	HOUSING SET	403	781007-2	1	SPANNER 14
22	664064-4	1	POWER SUPPLY CORD 115V	404	782401-1	1	LOCK NUT WRENCH 20
23	682502-4	1	CORD GUARD 8	405	741402-8-1	1	4" GRINDING WHEEL #24
24	651514-8	1	SWITCH				
25	414557-9	1	SWITCH LEVER				

2 MODEL N900

12-95