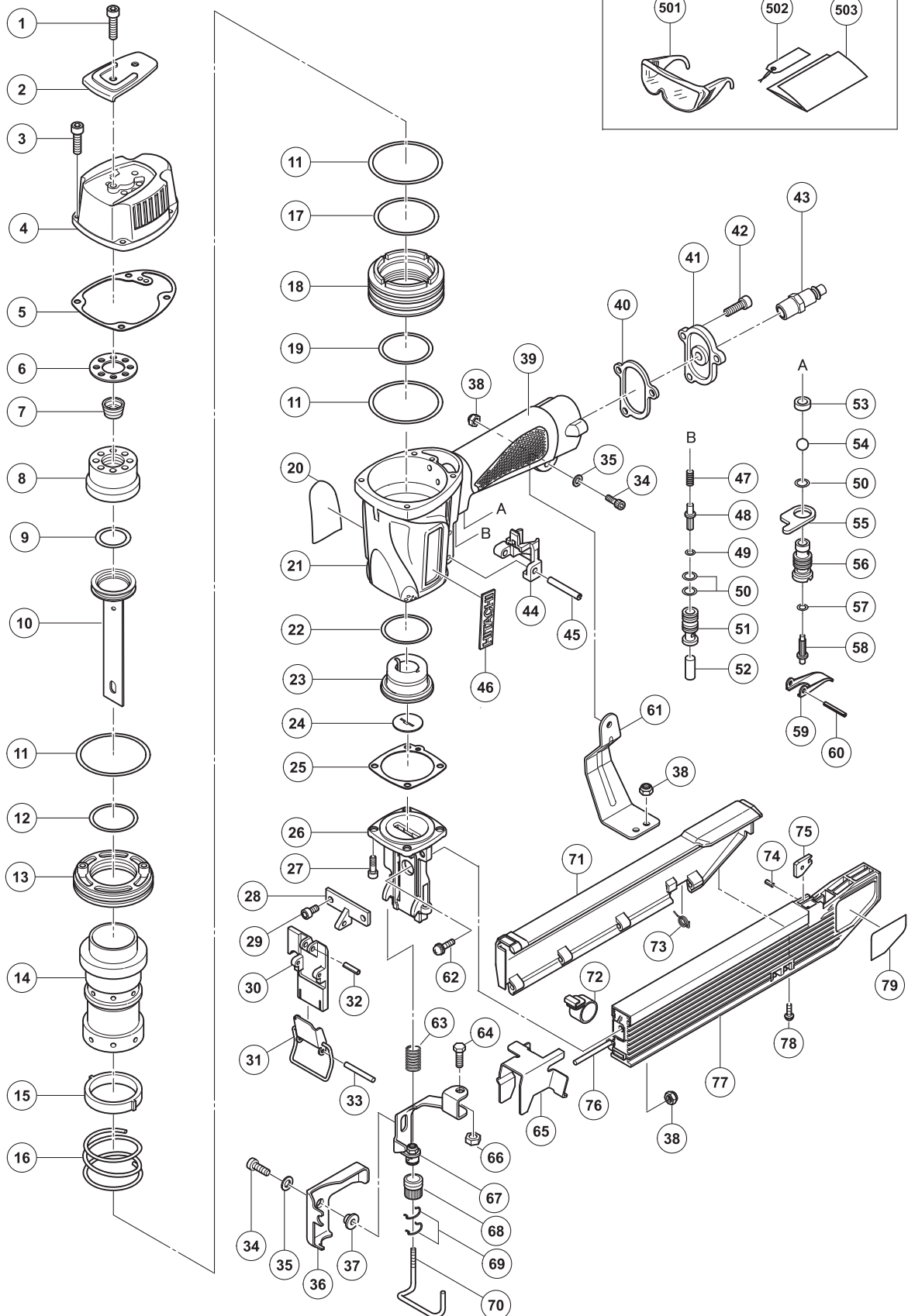


## PNEUMATIC TOOL PARTS LIST

■ STAPLER  
Model N 5021A

2007·11·29  
(E1)



## PARTS

N 5021A

ITEM NO.	CODE NO.	DESCRIPTION	NO. USED	REMARKS
1	949-662	HEX. SOCKET HD. BOLT M5X25 (10 PCS.)	2	
2	876-179	TOP COVER	1	
3	949-757	HEX. SOCKET HD. BOLT M5X20 (10 PCS.)	4	
4	886-444	EXHAUST COVER	1	
5	883-892	GASKET (F)	1	
6	876-178	GASKET (C)	1	
7	878-417	EXHAUST VALVE	1	
8	877-129	HEAD CAP ASS'Y	1	
9	876-174	PISTON O-RING	1	
10	886-448	PISTON	1	
11	885-793	O-RING (I.D. 64.5)	3	
12	877-126	CYLINDER O-RING (D)	1	
13	876-168	CYLINDER PLATE	1	
14	877-486	CYLINDER	1	
15	876-167	CYLINDER RING	1	
16	876-172	CYLINDER SPRING	1	
17	877-123	CYLINDER O-RING (A)	1	
18	877-122	CYLINDER GUIDE	1	
19	877-124	CYLINDER O-RING (B)	1	
20		NAME PLATE	1	
21	886-443	BODY ASS'Y	1	INCLUD. 39
22	877-125	CYLINDER O-RING (C)	1	
23	884-350	PISTON BUMPER	1	
24	886-445	BUMPER SHEET	1	
25	876-673	GASKET (A)	1	
26	886-446	NOSE	1	
27	878-181	NYLOCK HEX. SOCKET HD. BOLT M5X16	4	
28	884-360	GUIDE PLATE	1	
29	949-819	HEX. SOCKET HD. BOLT M5X10 (10 PCS.)	2	
30	884-361	BLADE GUIDE	1	
31	884-362	LOCK LEVER	1	
32	949-497	ROLL PIN D4X16 (10 PCS.)	1	
33	949-866	ROLL PIN D3X30 (10 PCS.)	1	
34	949-658	HEX. SOCKET HD. BOLT M5X18 (10 PCS.)	2	
35	876-205	WASHER	2	
36	884-364	GUARD	1	
37	884-366	SLEEVE	1	
38	877-371	NYLON NUT M5	4	
39		GRIP RUBBER	1	SUPPLIED WITH ITEM NO. 601, 602
40	877-131	GASKET (D)	1	
41	885-795	CAP	1	
42	949-821	HEX. SOCKET HD. BOLT M5X16 (10 PCS.)	3	
43		AIR PLUG NPT 1/4	1	
44	884-356	VALVE GUARD	1	
45	884-025	ROLL PIN D3X45	1	
46	886-342	HITACHI PLATE	1	
47	875-643	PLUNGER SPRING	1	
48	878-542	PLUNGER (A)	1	
49	877-705	PLUNGER O-RING	1	
50	875-638	O-RING (S-12)	3	

**PARTS**

N 5021A

ITEM NO.	CODE NO.	DESCRIPTION	NO USED	REMARKS
51	877-880	VALVE BUSHING	1	
52	877-882	PLUNGER (B)	1	
53	878-734	VALVE PACKING	1	
54	875-645	URETHANE BALL (C) D7.14	1	
55	875-644	VALVE PLATE	1	
56	877-335	TRIGGER VALVE BUSHING	1	
57	874-820	PLUNGER O-RING	1	
58	878-121	TRIGGER PLUNGER	1	
59	876-203	TRIGGER	1	
60	949-866	ROLL PIN D3X30 (10 PCS.)	1	
61	884-363	HANDLE ARM	1	
62	308-386	MACHINE SCREW (W/SP. WASHER) M5X16 (BLACK)	1	
63	877-894	HOLDER SPRING	1	
64	875-650	SAFETY BOLT	1	
65	886-450	STAPLE FEEDER	1	
66	949-555	NUT M5 (10 PCS.)	1	
67	884-353	PUSHING LEVER	1	
68	885-796	ADJUSTER	1	
69	881-765	RATCHET SPRING	2	
70	886-447	PUSHING LEVER (A)	1	
71	883-718	MAGAZINE COVER	1	
72	881-047	RIBBON SPRING	1	
73	881-043	COVER SPRING	1	
74	949-749	ROLL PIN D3X8 (10 PCS.)	1	
75	881-039	MAGAZINE PIECE	1	
76	883-719	HINGE PIN	1	
77	886-449	MAGAZINE ASS'Y	1	INCLUD. 74, 75
78	678-653	MACHINE SCREW (W/WASHERS) M5X14 (BLACK)	2	
79		LABEL	1	

