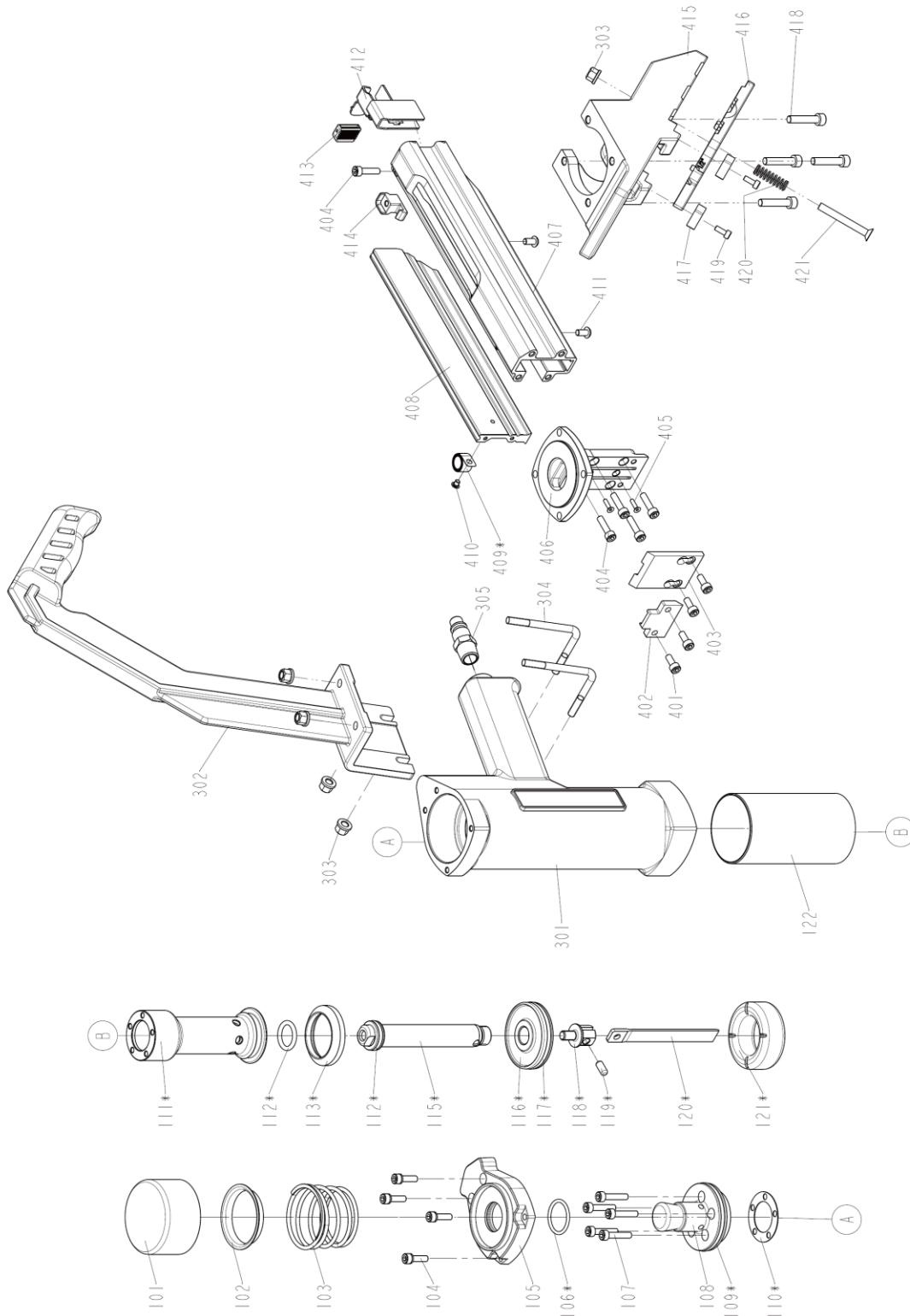


PNEUMATIC TOOL PARTS LIST

■ FLOORING STAPLER
Model N 5010AB

2019 • 08 • 19
(E1)



PARTS

N5010AB

ITEM NO.	CODE NO.	DESCRIPTION	NO. USED	REMARKS
101	889740	DEFLECTOR		
102	889741	WASHER		
103	889742	COMPRESSION SPRING		
104	889-050	BOLT ASSY		
105	889743	CAP		
106	889744	O - RING		
107	889745	HEX. SOC. HD. BOLT		
108	889746	HD. VALVE PISTON		
109	889747	O - RING		
110	889748	GASKET		
111	889749	DISCHARGE SHEET		
112	889750	O - RING		
113	889751	COLLAR		
115	889752	PISTON SHAFT		
116	889753	MAIN PISTON		
117	889754	O - RING		
118	889755	FIRING PIN DRAWBAR		
119	889756	PIN		
120	889757	DRIVER		
121	889758	BUMPER		
122	889759	CAP NUT		
301	889760	GUN BODY		
302	889761	HANDLE		
303	889762	BOLT CAP		
304	889763	LINK ROD		
305	888-456	AIR PLUG		
401	889764	HEX. SOC. HD. BOLT		
402	889765	DRIVER GUIDE COVER B		
403	889766	DRIVER GUIDE COVER A		
404	889767	HEX. SOC. HD. BOLT		
405	889768	COUNTER SUNK SCREW		
406	889769	BASE		
407	889770	MAGAZINE A		
408	889771	MIDDLE STRIP		
409	889772	SPRING		
410	889773	SPECIAL SCREW		
411	889774	HALF ROUND HD.HEX.BOLT		
412	889775	PUSHER		
413	889776	PUSHER CUSHION		
414	889777	LATCH		
415	889778	FIXED SUPPORT		
416	889779	PROTECTIVE CUSHION		
417	889781	GUIDE COVER		
418	889780	HEX. SOC. HD. BOLT		
419	889782	HEX. SOC. HD. BOLT		
420	889783	SAFETY SPRING		
421	889784	COUNTER SUNK SCREW		

STANDARD ACCESSORIES

N5010AB

ITEM NO.	CODE NO.	DESCRIPTION	NO. USED	REMARKS
	330-631	Mallet		
	943-277	Hex. Bar Wrench 3mm		
	944-458	Hex. Bar Wrench 4mm		
	944-459	Hex. Bar Wrench 5mm		
	872-422	Hex. Bar Wrench 6mm		
	875-769	Safety Glasses		
	877-153	Air Tool Oil		

OPTIONAL ACCESSORIES

ITEM NO.	CODE NO.	DESCRIPTION	NO. USED	REMARKS
	04724HHPT	15.5 Gauge 1-1/2" Floor Staples		
	04723HHPT	15.5 Gauge 1-3/4" Floor Staples		
	04722HHPT	15.5 Gauge 1-1/2" Floor Staples		

