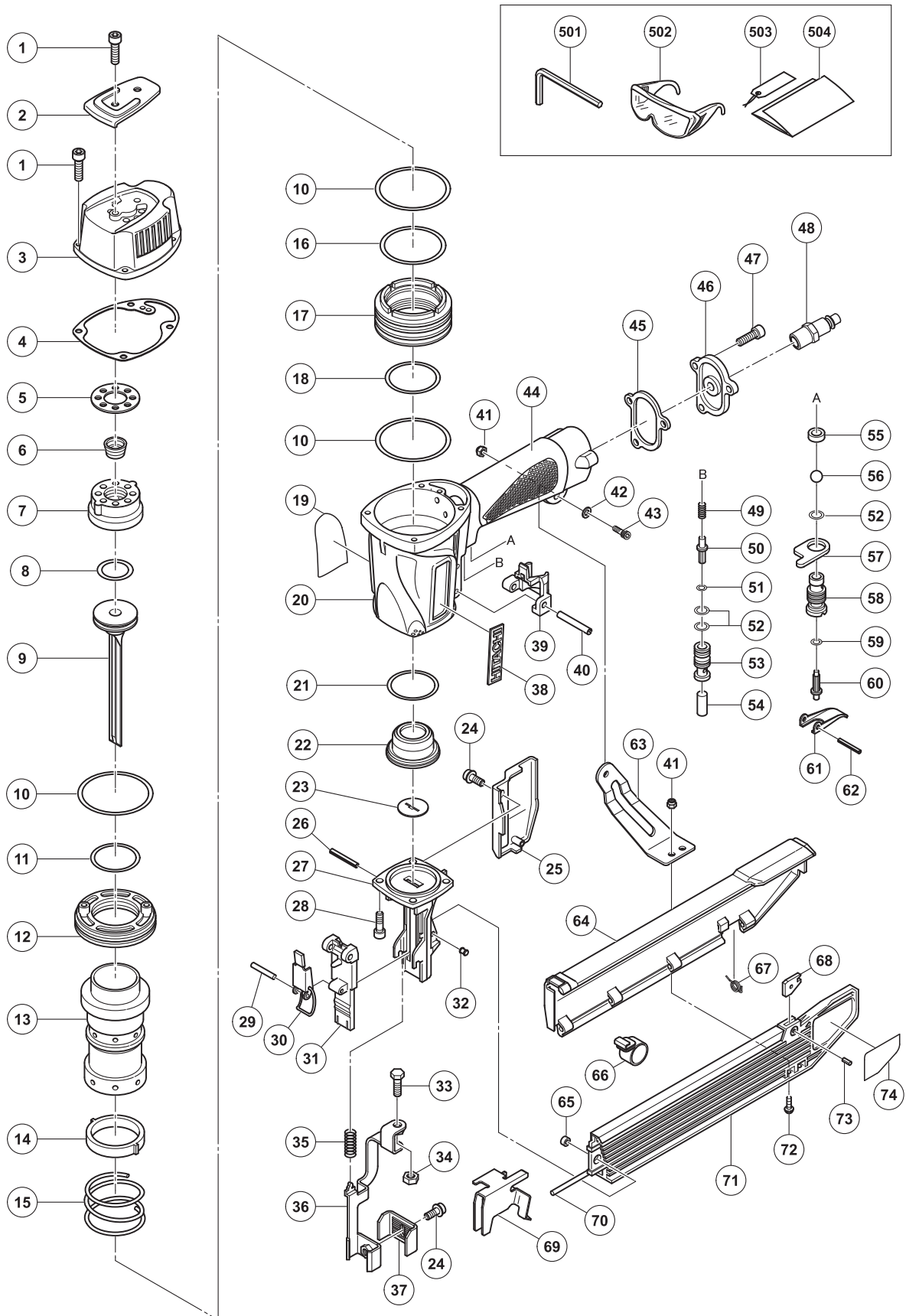


PNEUMATIC TOOL PARTS LIST

STAPLER
Model N 5010A

2007·11·29
(E1)



PARTS

N 5010A

| ITEM NO. | CODE NO. | DESCRIPTION | NO. USED | REMARKS |
|----------|----------|--------------------------------------|----------|---------------------------------|
| 1 | 949-757 | HEX. SOCKET HD. BOLT M5X20 (10 PCS.) | 6 | |
| 2 | 876-179 | TOP COVER | 1 | |
| 3 | 886-444 | EXHAUST COVER | 1 | |
| 4 | 883-892 | GASKET (F) | 1 | |
| 5 | 876-178 | GASKET (C) | 1 | |
| 6 | 878-539 | EXHAUST VALVE | 1 | |
| 7 | 878-026 | HEAD CAP | 1 | |
| 8 | 876-174 | PISTON O-RING | 1 | |
| 9 | 886-437 | PISTON | 1 | |
| 10 | 885-793 | O-RING (I.D. 64.5) | 3 | |
| 11 | 877-126 | CYLINDER O-RING (D) | 1 | |
| 12 | 876-168 | CYLINDER PLATE | 1 | |
| 13 | 885-792 | CYLINDER | 1 | |
| 14 | 876-167 | CYLINDER RING | 1 | |
| 15 | 876-172 | CYLINDER SPRING | 1 | |
| 16 | 877-123 | CYLINDER O-RING (A) | 1 | |
| 17 | 877-122 | CYLINDER GUIDE | 1 | |
| 18 | 877-124 | CYLINDER O-RING (B) | 1 | |
| 19 | | NAME PLATE | 1 | |
| 20 | 886-443 | BODY ASS'Y | 1 | INCLUD. 44 |
| 21 | 877-125 | CYLINDER O-RING (C) | 1 | |
| 22 | 886-434 | PISTON BUMPER | 1 | |
| 23 | 886-435 | BUMPER SHEET | 1 | |
| 24 | 878-540 | NYLOCK BOLT (W/FLANGE) M5X8 | 2 | |
| 25 | 883-724 | GUARD | 1 | |
| 26 | 949-547 | ROLL PIN D4X36 (10 PCS.) | 1 | |
| 27 | 886-436 | NOSE | 1 | |
| 28 | 878-181 | NYLOCK HEX. SOCKET HD. BOLT M5X16 | 4 | |
| 29 | 949-685 | ROLL PIN D3X20 (10 PCS.) | 1 | |
| 30 | 886-441 | LOCK LEVER | 1 | |
| 31 | 886-440 | BLADE GUIDE | 1 | |
| 32 | 881-044 | PIN | 1 | |
| 33 | 875-650 | SAFETY BOLT | 1 | |
| 34 | 949-555 | NUT M5 (10 PCS.) | 1 | |
| 35 | 877-873 | SPRING (B) | 1 | |
| 36 | 883-714 | PUSHING LEVER | 1 | |
| 37 | 883-715 | PUSHING LEVER PIECE | 1 | |
| 38 | 886-342 | HITACHI PLATE | 1 | |
| 39 | 884-356 | VALVE GUARD | 1 | |
| 40 | 884-025 | ROLL PIN D3X45 | 1 | |
| 41 | 877-371 | NYLON NUT M5 | 3 | |
| 42 | 876-205 | WASHER | 1 | |
| 43 | 949-658 | HEX. SOCKET HD. BOLT M5X18 (10 PCS.) | 1 | |
| 44 | | GRIP RUBBER | 1 | SUPPLIED WITH ITEM NO. 601, 602 |
| 45 | 877-131 | GASKET (D) | 1 | |
| 46 | 885-795 | CAP | 1 | |
| 47 | 949-821 | HEX. SOCKET HD. BOLT M5X16 (10 PCS.) | 3 | |
| 48 | | AIR PLUG NPT 1/4 | 1 | |
| 49 | 875-643 | PLUNGER SPRING | 1 | |
| 50 | 878-542 | PLUNGER (A) | 1 | |

