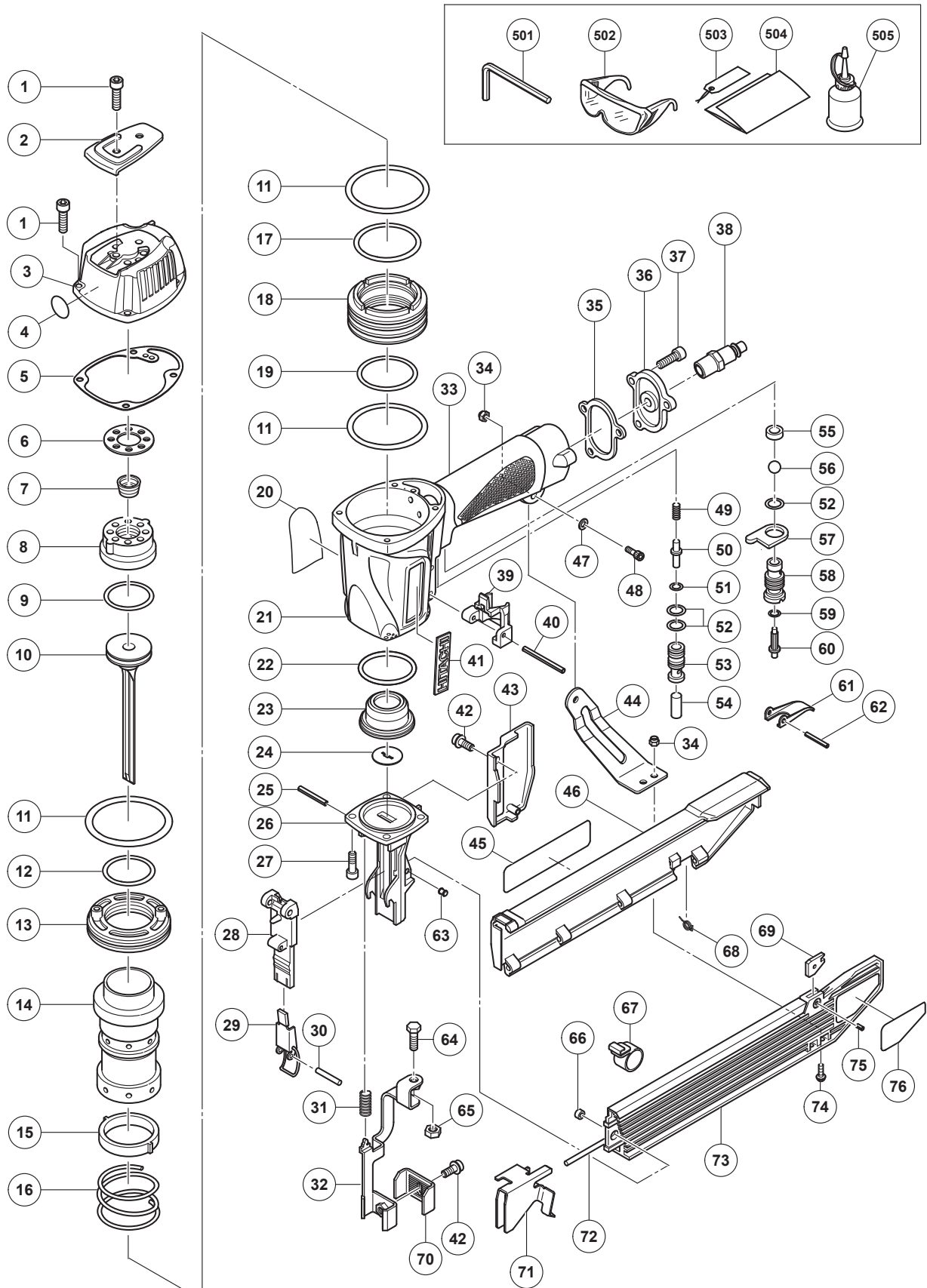


PNEUMATIC TOOL PARTS LIST

STAPLER
Model N 5008AC2

2008·9·11
(E1)



PARTS

N 5008AC2

ITEM NO.	CODE NO.	DESCRIPTION	NO. USED	REMARKS
1	949-757	HEX. SOCKET HD. BOLT M5X20 (10 PCS.)	6	
2	876-179	TOP COVER	1	
3	886-444	EXHAUST COVER	1	
* 4	883-513	WARNING LABEL (A)	1	EXCEPT FOR USA, CAN, AUS
5	883-892	GASKET (F)	1	
6	886-466	GASKET (C)	1	
7	878-539	EXHAUST VALVE	1	
8	878-026	HEAD CAP	1	
9	876-174	PISTON O-RING	1	
10	883-716	PISTON	1	
11	885-793	O-RING (I.D. 64.5)	3	
12	877-126	CYLINDER O-RING (D)	1	
13	876-168	CYLINDER PLATE	1	
14	885-792	CYLINDER	1	
15	876-167	CYLINDER RING	1	
16	876-172	CYLINDER SPRING	1	
17	877-123	CYLINDER O-RING (A)	1	
18	877-122	CYLINDER GUIDE	1	
19	877-124	CYLINDER O-RING (B)	1	
20		NAME PLATE	1	
21	886-443	BODY ASS'Y	1	INCLUD. 33
22	877-125	CYLINDER O-RING (C)	1	
23	886-434	PISTON BUMPER	1	
24	883-712	BUMPER SHEET	1	
25	949-547	ROLL PIN D4X36 (10 PCS.)	1	
26	886-717	NOSE	1	
27	878-181	NYLOCK HEX. SOCKET HD. BOLT M5X16	4	
28	886-718	BLADE GUIDE	1	
29	886-441	LOCK LEVER	1	
30	949-685	ROLL PIN D3X20 (10 PCS.)	1	
31	877-873	SPRING (B)	1	
32	883-714	PUSHING LEVER	1	
33		GRIP RUBBER	1	SUPPLIED WITH ITEM NO. 601, 602
34	877-371	NYLON NUT M5	3	
35	886-719	GASKET (D)	1	
36	885-795	CAP	1	
37	949-821	HEX. SOCKET HD. BOLT M5X16 (10 PCS.)	3	
38		AIR PLUG NPT 1/4	1	
39	884-356	VALVE GUARD	1	
40	884-025	ROLL PIN D3X45	1	
41	886-342	HITACHI PLATE	1	
42	878-540	NYLOCK BOLT (W/FLANGE) M5X8	2	
43	883-724	GUARD	1	
44	883-723	HANDLE ARM	1	
* 45	886-720	WARNING LABEL	1	EXCEPT FOR USA, CAN, AUS
46	883-718	MAGAZINE COVER	1	
47	876-205	WASHER	1	
48	949-658	HEX. SOCKET HD. BOLT M5X18 (10 PCS.)	1	
49	886-725	PLUNGER SPRING	1	
50	878-542	PLUNGER (A)	1	

STANDARD ACCESSORIES

N 5008AC2

ITEM NO.	CODE NO.	DESCRIPTION	NO. USED	REMARKS
501	944-458	HEX. BAR WRENCH 4MM	1	
502	875-769	SAFETY GLASSES	1	
* 503	882-413	CAUTION TAG	1	FOR USA, CAN
* 504	886-721	LEAFLET	1	FOR USA, CAN
* 505	877-153	PNEUMATIC TOOL LUBRICANT (30CC)	1	EXCEPT FOR USA, CAN, AUS

OPTIONAL ACCESSORIES

ITEM NO.	CODE NO.	DESCRIPTION	NO. USED	REMARKS
601	881-768	GRIP TAPE (A)	1	
602	880-407	TAPE	1	
603	876-762	SEQUENTIAL TRIP MECHANISM KIT	1	
604	877-153	PNEUMATIC TOOL LUBRICANT (30CC)	1	
605	874-042	PNEUMATIC TOOL LUBRICANT (120CC)	1	
606	876-212	PNEUMATIC TOOL LUBRICANT (1L)	1	
607	317-918	GREASE (ATTOLUB NO. 2) 500G	1	