

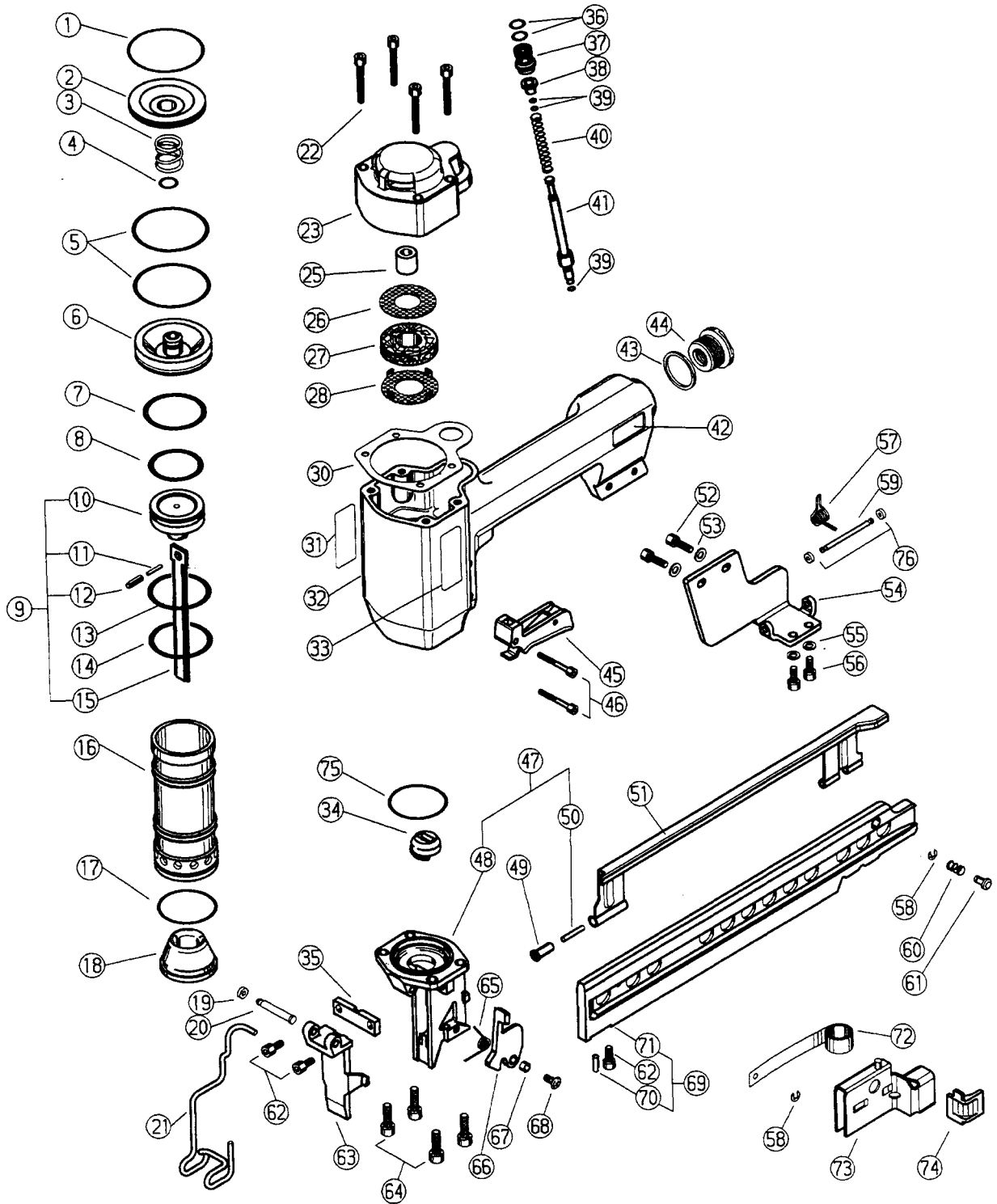
PNEUMATIC TOOL PARTS LIST

■ STAPLER

Model N 5008AB

1996 • 5 • 20

(E2)



PARTS

N 5008AB

ITEM NO.	CODE NO.	DESCRIPTION	NO. USED	REMARKS
1	790 - 259	O - Ring(I. D. 50. 52)	1	
2	790 - 260	Exhaust Cover Insert	1	
3	790 - 261	Valve Spring	1	
4	790 - 262	O - Ring(I. D. 9. 75)	1	
5	790 - 336	O - Ring(I. D. 49. 5)	1	for a tool without R or U
5	790 - 336	O - Ring(I. D. 49. 5)	2	for a tool marked R or U
6	790 - 264	Main Valve	1	for a tool without R or U
6	790 - 323	Main Valve	1	for a tool marked R or U
7	790 - 265	O - Ring(I. D. 37. 67)	1	
8	790 - 266	O - Ring(I. D. 31. 34)	1	
9	790 - 267	Piston Ass'y	1	Includ. 10-13
10	790 - 268	Piston	1	
11	790 - 269	Pin	1	
12	790 - 270	Roll Pin D4 x 14	1	
13	790 - 272	O - Ring(I. D. 39. 34)	1	
14	790 - 273	O - Ring(I. D. 37. 77)	1	
15	790 - 271	Driver Blade	1	
16	790 - 274	Cylinder	1	for a tool without R or U
16	790 - 324	Cylinder	1	for a tool marked R or U
17	790 - 209	O - Ring(I. D. 37. 82)	1	for a tool without R or U
17	790 - 325	O - Ring(I. D. 37. 82)	1	for a tool marked R or U
18	790 - 275	Piston Bumper	1	for a tool without R or U
18	790 - 326	Piston Bumper	1	for a tool marked R or U
19	790 - 300	Circlip	2	for a tool without R or U
19	790 - 327	Circlip	1	for a tool marked R or U
20	790 - 301	Pin	1	for a tool without R or U
20	790 - 328	Pin	1	for a tool marked R or U
21	790 - 302	Push Lever	1	
22	790 - 276	Hex. Socket Hd. Bolt M5 x 40	4	
23	790 - 277	Exhaust Cover	1	for a tool without R or U
23	790 - 329	Exhaust Cover	1	for a tool marked R or U
24	790 - 278	O - Ring(I. D. 9. 25)	1	for a tool without R or U
25	790 - 279	Exhaust Valve	1	for a tool without R or U
25	790 - 330	Exhaust Valve	1	for a tool marked R or U
26	790 - 280	Perforated Plate	1	
27	790 - 281	Silencer	1	
28	790 - 282	Perforated Plate	1	
29	790 - 322	Circlip	1	for a tool without R or U
30	790 - 283	Gasket	1	
31	790 - 244	Warning Label	1	(for N5008AB & N3804AB)
32	790 - 284	Body	1	for a tool without R or U
32	790 - 331	Body	1	for a tool marked R or U
33	790 - 320	Name Plate	1	
34	790 - 299	Driver Guide	1	
35	790 - 303	Front Nose	1	
36	790 - 230	O - Ring(I. D. 7. 65)	2	
37	790 - 285	Valve Bush	1	
38	790 - 239	Sleeve	1	
39	790 - 241	O - Ring(I. D. 2. 57)	3	
40	790 - 286	Valve Spring	1	
41	790 - 287	Valve Shaft	1	

R or U might be marked after a serial production number.

* : ALTERNATIVE PARTS

PARTS

N 5008AB

ITEM NO.	CODE NO.	DESCRIPTION	NO. USED	REMARKS
42		Hitachi Label	1	
43	790 - 238	Gasket	1	
44	790 - 237	Cap	1	
45	790 - 288	Trigger Ass'y	1	
46	790 - 234	Hex. Socket Hd. Bolt M4 × 30	2	
47	790 - 297	Nose Ass'y	1	Includ. 48-49
48		Nose	1	
49	790 - 311	Bushing	1	
50	790 - 298	Pin	1	
51	790 - 312	Cover	1	
52	790 - 289	Hex. Socket Hd. Bolt M5 × 16	2	
53	790 - 290	Washer	2	
54	790 - 294	Hook Plate	1	
55	790 - 295	Spring Washer	2	
56	790 - 296	Hex. Socket Hd. Bolt M5 × 12	2	
57	790 - 291	Spring	1	
58	790 - 293	Circlip	2	for a tool marked R or U
58	790 - 293	Circlip	4	for a tool without R or U
59	790 - 292	Pin	1	for a tool without R or U
59	790 - 332	Pin	1	for a tool marked R or U
60	790 - 318	Pressure Spring	1	
61	790 - 319	Feeder Stop	1	
62	790 - 304	Hex. Socket Hd. Bolt M5 × 10	3	
63	790 - 305	Blade Guide	1	
64	790 - 306	Hex. Socket Hd. Bolt M6 × 20	4	
65	790 - 310	Lever Spring	1	
66	790 - 307	Lock Lever	1	
67	790 - 308	Bushing	1	
68	790 - 309	Hex. Socket Hd. Bolt M5 × 12	1	for a tool without R or U
68	790 - 333	Hex. Socket Hd. Bolt	1	for a tool marked R or U
69	790 - 313	Staple Guide Ass'y	1	Includ. 65-66
70	790 - 314	Pin	1	
71		Staple Guide	1	
72	790 - 315	Ribbon Spring	1	
73	790 - 316	Staple Feeder	1	
74	790 - 317	Spring Guide	1	Includ. 72-74
75	790 - 334	O - Ring(I. D. 42)	1	for a tool marked R or U
76	790 - 335	Circlip	2	for a tool marked R or U
77	790 - 321	Carton	1	
		R or U might be marked		
		after a serial		
		production number.		

R or U might be marked after a serial production number. * : ALTERNATIVE PARTS