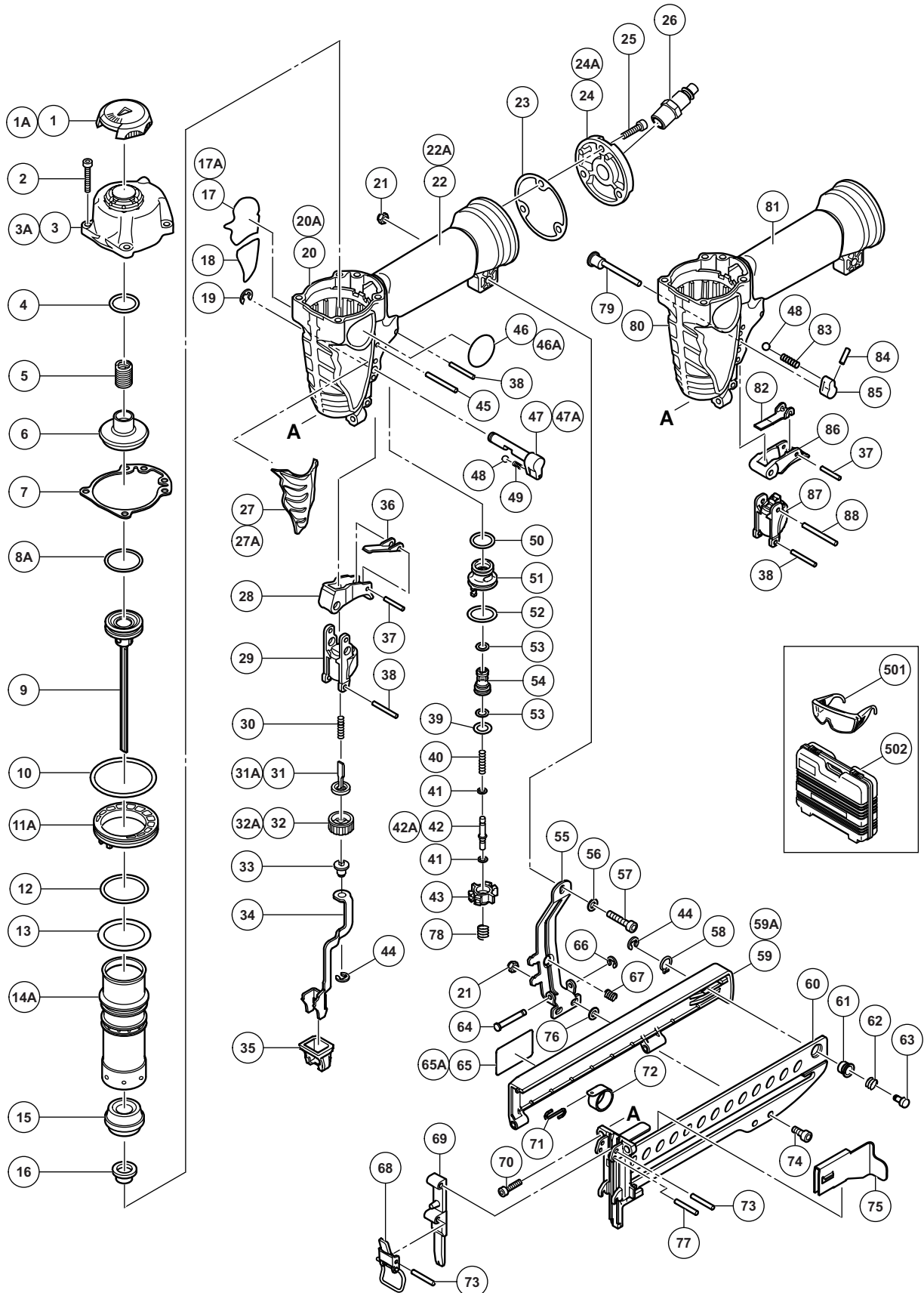


PNEUMATIC TOOL PARTS LIST

STAPLER
Model N 3804AB3

2011·2·24
(E2)



PARTS

N 3804AB3

ITEM NO.	CODE NO.	DESCRIPTION	NO. USED	REMARKS
* 1	885-866	TOP COVER	1	(GRAY)
* 1A	886-197	TOP COVER	1	(BLACK) FOR USA, CAN
2	949-757	HEX. SOCKET HD. BOLT M5 X 20 (10 PCS.)	4	
* 3	885-867	EXHAUST COVER	1	(BLACK)
* 3A	886-733	EXHAUST COVER	1	(SILVER GREEN) FOR USA, CAN
4	878-600	HEAD VALVE O-RING	1	
5	880-190	HEAD VALVE SPRING	1	
6	880-410	HEAD VALVE (A)	1	
7	885-868	GASKET	1	
8A	886-068	O-RING (P22.4)	1	
9	885-966	PISTON	1	
10	885-871	O-RING (I.D 44.7)	1	
11A	885-872	CYLINDER PLATE	1	
12	301-684	O-RING (S-30)	1	
13	986-374	O-RING (P-32)	1	
14A	885-873	O-RING (P-32)	1	
15	885-874	PISTON BUMPER	1	
16	885-968	BUMPER PIECE	1	
* 17		NAME PLATE	1	
* 17A		NAME PLATE	1	FOR MODEL (S)
18	885-877	WARNING LABEL	1	
* 19	955-479	RETAINING RING (E-TYPE) FOR D6 SHAFT	1	
* 20	885-878	BODY ASS'Y	1	INCLUD.22 (BLACK)
* 20A	886-731	BODY ASS'Y	1	INCLUD.22A (SILVER GREEN) FOR USA, CAN
21	876-465	NYLON NUT M4	3	
* 22		GRIP RUBBER (A) (GREEN)	1	SUPPLIED WITH ITEM NO. 601, 602
* 22A		GRIP RUBBER (A) (BLACK)	1	SUPPLIED WITH ITEM NO. 601, 602
				FOR USA, CAN
23	884-342	GASKET (B)	1	
* 24	885-674	CAP (A)	1	(BLACK)
* 24A	886-734	CAP (A)	1	(SILVER GREEN) FOR USA, CAN
25	949-821	HEX. SOCKET HD. BOLT M5 X 16 (10 PCS.)	3	
26		AIR PLUG NPT 1/4	1	
* 27	885-879	PROTECTOR	1	(SILVER)
* 27A	886-735	PROTECTOR	1	(BLACK) FOR USA, CAN
* 28	885-657	TRIGGER (C) ASS'Y	1	INCLUD. 36, 37
* 29	885-880	PUSHING LEVER GUIDE	1	
30	885-881	PUSHING LEVER SPRING (A)	1	
* 31	885-973	PUSHING LEVER (C)	1	
* 31A	887-678	PUSHING LEVER (D)	1	FOR MODEL (S)
* 32	885-884	ADJUSTER	1	(GREEN)
* 32A	886-736	ADJUSTER	1	(BLACK) FOR USA, CAN
33	885-885	PUSHING LEVER (B)	1	
34	885-972	PUSHING LEVER (A)	1	
35	885-969	NOSE CAP	2	
* 36	885-689	TRIGGER ARM (C)	1	
37	881-951	ROLL PIN D2.5 X 16	1	
38	949-539	ROLL PIN D3 X 25 (10 PCS.)	2	
39	872-654	O-RING (1AP-10)	1	
40	884-966	PLUNGER SPRING	1	

PARTS

N 3804AB3

ITEM NO.	CODE NO.	DESCRIPTION	NO. USED	REMARKS	
	41	878-888	O-RING (I.D. 1.8)	2	
*	42	885-888	PLUNGER	1	
*	42A	887-679	PLUNGER	1	FOR MODEL (S)
	43	884-962	VALVE BUSHING (A)	1	
	44	872-971	RETAINING RING (E-TYPE) FOR D3 SHAFT	2	
	45	884-975	ROLL PIN D3 X 32	1	
*	46		HITACHI LABEL (GREEN)	1	
*	46A		HITACHI LABEL (BLACK)	1	FOR USA, CAN
*	47	885-658	CHANGE KNOB (C)	1	(GREEN)
*	47A	886-265	CHANGE KNOB (C)	1	(BLACK) FOR USA, CAN
	48	959-155	STEEL BALL D3.97 (10 PCS.)	1	
*	49	982-454	SPRING (C)	1	
	50	877-763	FEED PISTON O-RING (I.D. 14)	1	
	51	884-963	VALVE BUSHING (B)	1	
	52	873-570	O-RING (P-18)	1	
	53	676-531	O-RING (P-7)	2	
	54	884-964	VALVE PISTON	1	
	55	885-984	HANDLE ARM	1	
	56	885-985	WASHER	1	
	57	880-032	HEX. SOCKET HD. BOLT M4 X 22	1	
	58	885-977	RETAINING RING	1	
*	59	885-979	MAGAZINE COVER	1	(GREEN)
*	59A	886-737	MAGAZINE COVER	1	(BLACK) FOR USA, CAN
	60	885-970	MAGAZINE	1	
	61	885-975	STOPPER SLEEVE	1	
	62	885-976	STOPPER SPRING	1	
	63	885-974	FEEDER STOPPER	1	
	64	885-978	HINGE PIN	1	
*	65		LABEL	1	
*	65A		LABEL	1	FOR MODEL (S)
	66	874-759	RETAINING RING (E-TYPE) FOR D2.5 SHAFT	1	
	67	885-983	SPRING	1	
	68	885-889	LOCK LEVER	1	
	69	885-971	GUIDE PLATE	1	
	70	949-813	HEX. SOCKET HD. BOLT M4 X 12 (10 PCS.)	2	
	71	885-982	SPRING HOOK	1	
	72	885-981	RIBBON SPRING	1	
	73	949-518	ROLL PIN D3 X 18 (10 PCS.)	2	
	74	949-821	HEX. SOCKET HD. BOLT M5 X 16 (10 PCS.)	2	
	75	885-980	STAPLE FEEDER	1	
	76	885-985	WASHER	2	
	77	886-193	ROLL PIN D3.2 X 19	1	
*	78	887-752	TRIGGER ARM SPRING	1	FOR MODEL (S)
*	79	887-668	CHANGE ROD (D)	1	FOR MODEL (S)
*	80	887-681	BODY ASS'Y	1	INCLUD. 81 FOR MODEL (S)
*	81		GRIP RUBBER (A) (BLACK)	1	SUPPLIED WITH ITEM NO. 601, 602 FOR MODEL (S)
*	82	887-755	TRIGGER ARM (D)	1	FOR MODEL (S)
*	83	887-673	SPRING	1	FOR MODEL (S)
*	84	887-458	ROLL PIN D3 X 10 (10 PCS.)	1	FOR MODEL (S)
*	85	887-684	CHANGE KNOB (D)	1	FOR MODEL (S)

PARTS

N 3804AB3

ITEM NO.	CODE NO.	DESCRIPTION	NO. USED	REMARKS
* 86	887-756	TRIGGER (D) ASS'Y	1	INCLUD. 37, 82 FOR MODEL (S)
* 87	887-686	PUSHING LEVER GUIDE (D)	1	FOR MODEL (S)
* 88	887-675	ROLL PIN D3 X 35	1	FOR MODEL (S)

STANDARD ACCESSORIES

ITEM NO.	CODE NO.	DESCRIPTION	NO. USED	REMARKS
501	875-769	SAFETY GLASSES	1	
502	885-902	CASE	1	

OPTIONAL ACCESSORIES

ITEM NO.	CODE NO.	DESCRIPTION	NO. USED	REMARKS
601	881-768	GRIP TAPE (A)	1	
602	880-407	TAPE	2	
603	885-986	FULL SEQUENTIAL ACTUATION MECHANISM KIT	1	INCLUD. 604-606
604	884-993	TRIGGER (D)	1	
605	884-994	TRIGGER ARM SPRING	1	
606	949-518	ROLL PIN D3 X 18 (10 PCS.)	1	
607	886-375	O-RING KIT	1	INCLUD. 608-614
608	885-868	GASKET	1	
609	885-871	O-RING (I.D 44.7)	1	
610	886-068	O-RING (P22.4)	1	
611	878-600	HEAD VALVE O-RING	1	
612	301-684	O-RING (S-30)	1	
613	986-374	O-RING (P-32)	1	
614		HANDLING INSTRUCTIONS	1	