

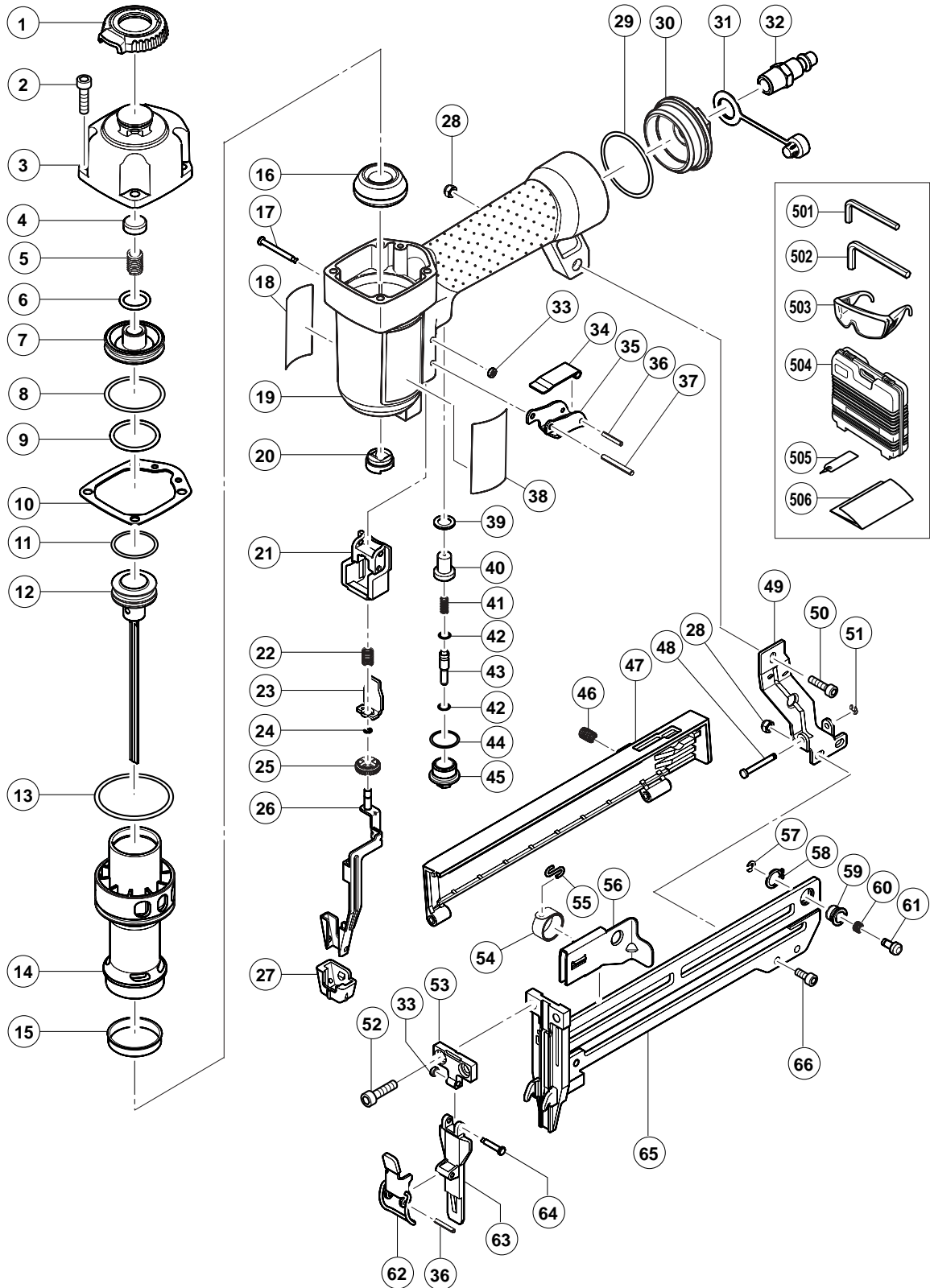
PNEUMATIC TOOL PARTS LIST

STAPLER

2004 • 10 • 10

Model N 3804AB2

(E1)



PARTS

N 3804AB2

ITEM NO.	CODE NO.	DESCRIPTION	NO. USED	REMARKS
1	882-270	DEFLECTOR	1	
2	882-271	BOLT M5X20	4	
3	882-272	CAP	1	
4	882-273	SEAL	1	
5	882-274	SPRING	1	
6	882-275	O-RING (I.D 13.8)	1	
7	882-276	HD. VALVE PISTON	1	
8	882-277	O-RING (I.D 31.8)	1	
9	882-278	O-RING (I.D 23)	1	
10	882-279	GASKET	1	
11	882-282	O-RING (I.D 21.7)	1	
12	885-048	DRIVER UNIT	1	
13	882-281	O-RING (I.D 43)	1	
14	882-333	CYLINDER	1	
15	882-286	CYLINDER RING	1	
16	882-287	BUMPER	1	
17	882-300	STEPPED PIN	1	
18		WARNING LABEL	1	
19	885-049	BODY	1	
20	882-288	JOINT GUIDE	1	
21	885-065	SAFETY GUIDE	1	
22	885-064	SPRING	1	
23	885-071	SAFETY (B)	1	
24	885-072	RING	1	
25	885-073	ADJUSTER	1	
26	885-063	PUSHING LEVER	1	
27	885-062	NOSE CAP	1	
28	882-316	LOCK NUT M4	3	
29	882-302	O-RING (I.D 37)	1	
30	882-303	END CAP	1	
31	885-050	DUST COVER	1	
32	882-304	AIR PLUG	1	
33	882-296	RING	2	
34	882-297	SAFETY	1	
35	882-298	TRIGGER	1	
36	882-299	SPRING PIN D2.5X16	2	
37	882-306	SPRING PIN D3X25	2	
38		NAME PLATE	1	
39	882-289	SEAL	1	
40	882-290	TRIGGER VALVE HEAD	1	
41	882-291	SPRING	1	
42	882-293	O-RING (I.D 2.5)	2	
43	882-292	TRIGGER VALVE STEM	1	
44	882-294	O-RING (I.D 13)	1	
45	882-295	TRIGGER VALVE GUIDE	1	
46	882-307	SPRING	1	
47	885-058	MOUNTING BRACKET	1	
48	885-059	LATCH PIN	1	
49	885-061	BRACKET	1	
50	882-314	HEX. SOCKET HD. BOLT M4X16	1	
51	885-060	E-RING D2.5	1	

STANDARD ACCESSORIES

N 3804AB2

ITEM NO.	CODE NO.	DESCRIPTION	NO. USED	REMARKS
501	943-277	HEX. BAR WRENCH 3MM	1	
502	944-458	HEX. BAR WRENCH 4MM	1	
503	875-769	SAFETY GLASSES	1	
504	885-074	CASE	1	
505	885-075	CAUTION TAG	1	
506	885-076	LEAFLET	1	

OPTIONAL ACCESSORIES

ITEM NO.	CODE NO.	DESCRIPTION	NO. USED	REMARKS
601	882-332	SEQUENTIAL FIRE PARTS SET	1	INCLUD. 602-604
602	882-329	TRIGGER	1	
603	882-330	SPRING	1	
604	882-299	SPRING PIN D2.5X16	1	