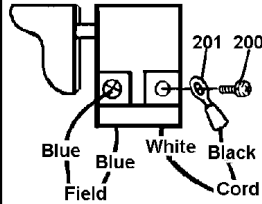
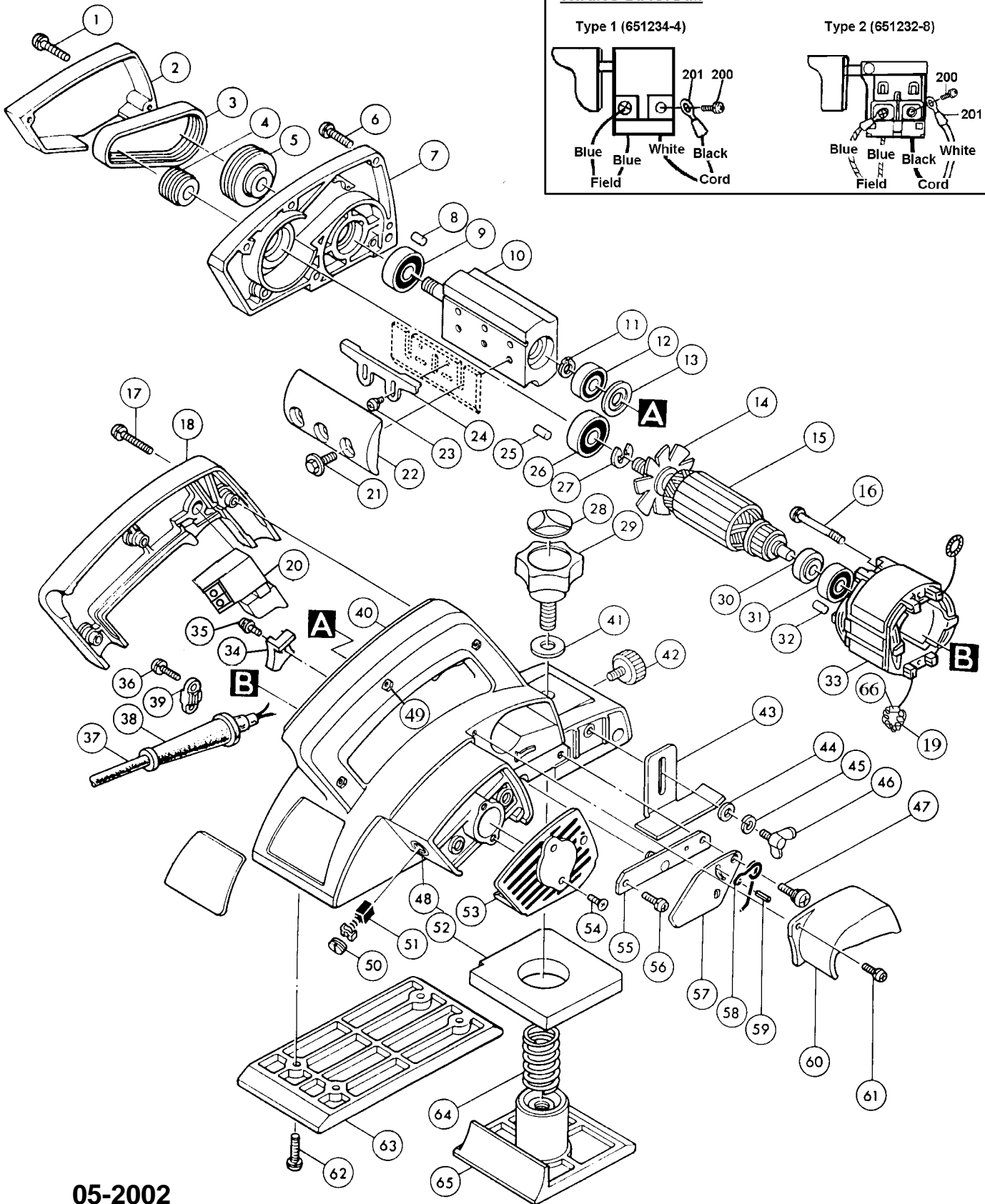
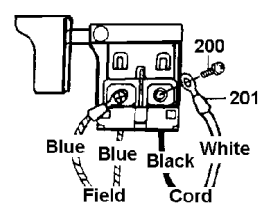


WIRING DIAGRAM

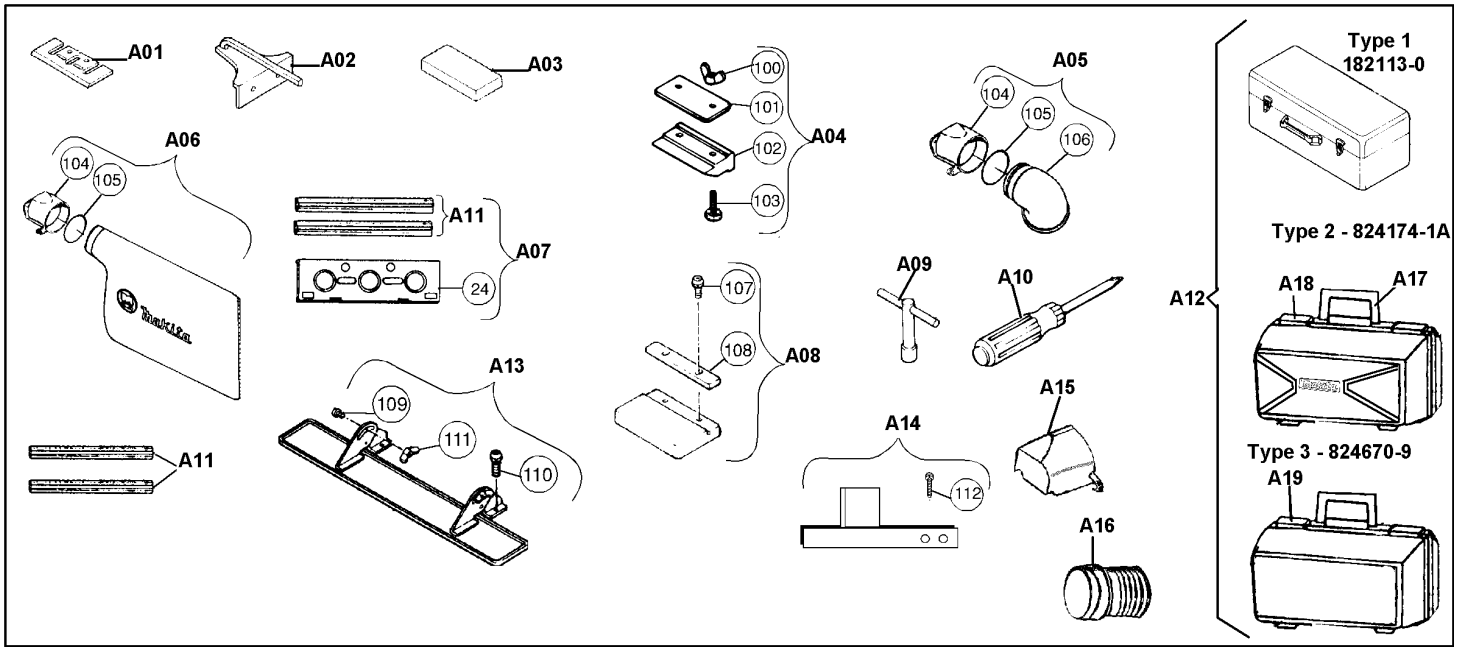
Type 1 (651234-4)



Type 2 (651232-8)



Item No.	Part No.	No. Used	Description	Item No.	Part No.	No. Used	Description
1	911148-2	2	P. H. Screw M4x25 (With Washer)	52	421007-7	1	Rubber Packing
2	411019-8	1	Belt Cover	53	414508-2	1	Rear Cover
3	225007-7	1	Poly V- Belt 4-241	54	911123-8	2	P. H. Screw M4x14 (With Washer)
4	222125-2	1	V-Pulley 4-20L	55	164372-8	1	Drum Holder
5	222126-0	1	V-Pulley 4-37(Old 222009-4)	56	911226-8	1	P. H. Screw M5x18 (With Washer)
6	911136-9	6	P. H.Screw M4x20 (With Washer)	57	341342-6	1	Drum Cover
7	152198-0	1	Bracket Com. (Includes Items 8 & 25)	58	231504-3	1	Torsion Spring 10
8	263002-9	1	Rubber Pin 4	59	951051-5	1	Spring Pin 3-8
9	211062-5	1	Ball Bearing 6000ZZ	60	411650-0	1	Chip Cover
10	161083-6	1	Drum	61	911128-8	1	P. H. Screw M4x16 (With Washer)
11	961003-8	1	Retaining Ring S-7	62	911226-8	4	P. H. Screw M5x18 (With Washer)
12	211026-9	1	Ball Bearing 627LLB	63	312023-9	1	Base
13	285637-6	1	Bearing Retainer 7-21	64	231004-3	1	Compression Spring 18
14	241510-0	1	Fan 52	65	316157-0	1	Front Base
15	511936-3	1	Armature Assy (Includes Items 14, 26, 27, 30 & 31)	66	654501-6	2	Solderless Connector P-1.25
16	911581-8	2	(+) P. H. Screw M4x55 (Old 251334-6)	100	934301-3	2	Wing Nut M6
17	911153-9	3	P. H. Screw M4x28 (With Washer)	101	341003-8	1	Pressure Plate
18	*	1	Handle Cover	102	411174-6	1	Sharpening Holder
19	654018-9	2	Garter Spring	103	251920-3	2	Cap Square Neck Bolt M6x30
20	*	1	Switch	104	152122-3	1	Nozzle
21	265484-1	6	Hex Flange Head Bolt M6x17 (Old 251609-3)	105	213601-7	1	O Ring 50
22	345001-4	2	Drum Plate	106	411311-2	1	Elbow
23	251246-3	4	(+) P. H. Screw M4X5	107	911228-4	2	P. H. Screw M5x18 (With Washer)
24	342430-2	2	Adjust Plate (For Regular size Blade)	108	411086-3	1	Gauge Plate
	343433-9	2	Set Plate(For Mini Planer Blade)	109	923211-9	2	Cap Square Neck Bolt M5x12
	193540-6	2	Set Plate Set (2pcs/Set) (For Mini Planer Blade)	110	911221-8	2	P. H. Screw M5x16 (With Washer)
				111	934201-7	2	Wing Nut M5
				112	911201-4	2	P. H. Screw M5x8(With Washer)
				200	652008-6	4	P. H. Screw M3.5x7 (With Washer)
				201	654037-5	4	Insulated Eye Terminal FV1.25-M3
Accessories							
25	263002-9	1	Rubber Pin 4	A01	731001-4	2	Planer Blade 82 (2pcs./Set)
26	211061-7	1	Ball Bearing 6000LLB		793007-0	2	Tungsten Carbide Tipped Planer Blade 82 (2pcs/set)
27	961015-1	1	Stop Ring E-9				
28	812137-9	1	Scale Label (Inch)				
29	271231-0	1	Knob 46	A02	164371-0	1	Guide Rule L=170
30	681614-0	1	Insulation Washer	A03	741802-2	1	Dressing Stone 150-1200
31	211028-5	1	Ball Bearing 627LB	A04	123004-6	1	Sharpening Holder Assy (Includes Items 100-103)
32	263013-4	1	Rubber Pin 4	A05	122194-2	1	Nozzle Assy (Includes Items 104 - 106)
33	593116-3	1	Field Assy (Includes Items 19 & 66)	A06	122230-4	1	Dust Bag Assy <P7.5M>(Includes Items 104 & 105)
34	411306-5	1	Baffle Plate	A07	731209-0A	1	Mini Planer Blade Set (Includes Items 24 & 410)
35	911128-8	1	P. H. Screw M4x16 (With Washer)	A08	123010-1	1	Blade Gauge Assy (Includes Items 107 & 108)
36	911133-5	2	P. H. Screw M4x18 (With Washer)	A09	782209-3	1	Socket Wrench 9
37	664013-1	1	Cord with Plug 2P-18-2.5	A10	783002-8	1	(+) Screwdriver 2
38	682502-4	1	Cord Guard 8-85	A11	793322-2	2	Tungsten Carbide Tipped Mini Planer Blade 82 (2pcs/set)
39	687002-9	1	Strain Relief				
40	156592-8	1	Main Frame (Includes Items 32, 48 & 49)	A12	182113-0	1	Metal Carrying Case(Type 1)
41	941251-5	1	Flat Washer 10		824174-1A	1	Plastic Carrying Case (Type 2) (Includes Items A17 & A18)
42	251812-6	1	Screw M5x10		824670-9	1	Plastic Carrying Case (Type 3) (Includes Item A19)
43	342390-8	1	Depth Guide				
44	941101-4	1	Flat Washer 5	A13	123060-6	1	Bevel Guide Assy (Includes Items 109 -111)
45	942101-7	1	Spring Washer 5	A14	191725-8	1	Extension Guide Set (Includes Item 112)
46	924206-5	1	Wing Bolt M5x10				
47	251228-5	1	(+) P. H. Screw M5	A15	181572-5	1	Nozzle (Use together with Item A16)
48	643556-6	2	Brush Holder 5-8				
49	931102-0	3	Nut M4				
50	643550-8	2	Brush Holder Cap 5-8				
51	191947-0	2	Carbon Brush CB-76				
	181500-0	2	Auto Cut-Off Carbon Brush CB-60				

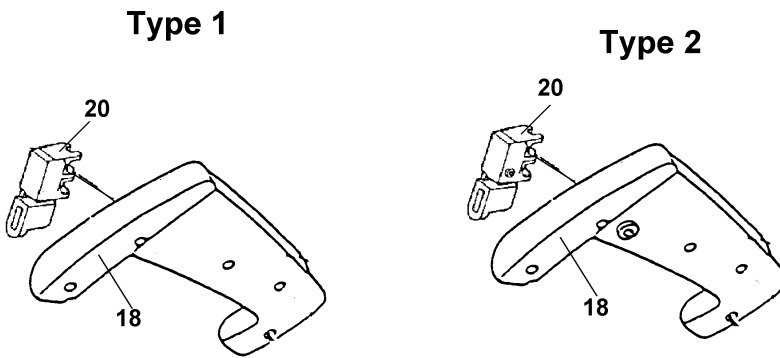


Item No	Part No	No Used	Description	Item No	Part No	No Used	Description
A16	STEX122275	1	Joint 55 Assy (Use together with Item A15)	A18	A00182-5	2	Snap Lock (M)
A17	A00181-7	1	Handle	A19	417059-4	2	Latch

* SEE SERVICE CHANGES

SERVICE CHANGES

1. Change on Switch and Handle Cover.



Item No.	Description	Type 1	Type 2
18	Handle Cover	414722-0 (No Hole)	414509-0 (With Hole)
20	Switch	651234-4 (No Lock-on Button)	651232-8 (With Lock-on Button)
	Serial #	~ 775872E	775873E ~

Above parts are completely interchangeable as a set.