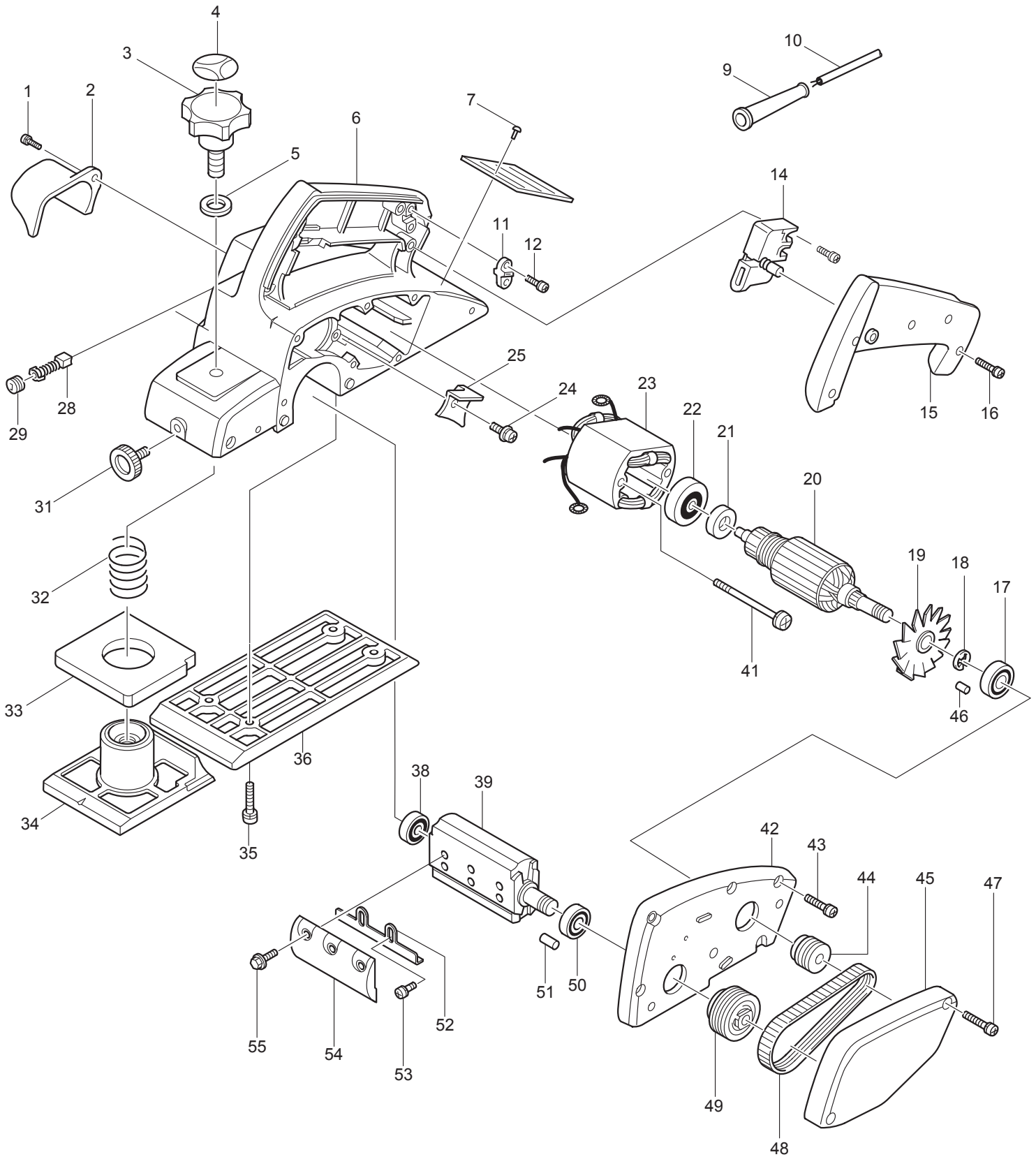




11 - 2010
N1900B / N1900BK
3-1/4" POWER PLANER



Item No.	Type	Sub	Part No.	Description (* See Service Changes on the bottom)	Q'ty	Unit
1			265874-8	* TAPPING SCREW BT 4X20	1	PC.
			265941-9	* TAPPING SCREW BT 4X18	1	PC.
2			411650-0	CHIP COVER	1	PC.
3			271231-0	KNOB 46	1	PC.
4			812137-9	SCALE LABEL (INCH)	1	PC.
5		1	253796-4	* FLAT WASHER 10	1	PC.
		2	941251-5	* FLAT WASHER 10	1	PC.
6			159858-5	* MAIN FRAME COM.	1	PC.
		INC.	643556-6	* BRUSH HOLDER 5-8	2	PC.
9			682502-4	CORD GUARD 8-85	1	PC.
10			664064-4	CORD W/PLUG 2P-18-2.5M, SJ	1	PC.
11			687063-9	CORD CLAMP	1	PC.
12			265941-9	* TAPPING SCREW BT 4X18	2	PC.
14			651232-8	* SWITCH (W/ LOCK ON BUTTON)	1	PC.
15			415676-4	* HANDLE COVER (W/LOCK ON BUTTON HOLE)	1	PC.
16			265875-6	* TAPPING SCREW BT 4X25	4	PC.
17			211061-7	BALL BEARING 6000LLB	1	PC.
18			961015-1	STOP RING E-9	1	PC.
19			241510-0	FAN 52	1	PC.
20			517036-7	ARMATURE ASS'Y 115V	1	PC.
		INC.		Item No. 17-19,21,22		
21			681614-0	INSULATION WASHER	1	PC.
22			211028-5	BALL BEARING 627LB	1	PC.
23			593241-0	FIELD ASS'Y 115V	1	PC.
		INC.	654018-9	RING TERMINAL	2	PC.
		INC.	654555-3	CONNECTOR 34130	2	PC.
24			265871-4	* TAPPING SCREW BT 4X16	1	PC.
25			411153-4	AUXILIARY BAFFLE PLATE	1	PC.
26			911111-5	* P.H.SCREW M5X18 (Old)	1	PC.
27			285012-6	* BEARING COVER (Old)	1	PC.
28		1	191947-0	CARBON BRUSH CB-76 2PC/SET (W/O ORIGIN) - N/L/A	1	SET
		2	194972-0	CARBON BRUSH CB-76 2PC/SET (W/ ORIGIN)	1	SET
		Opt.	181500-0	AUTO CUT-OFF CARBON BRUSH CB60 (W/O ORIGIN)	1	SET
29			643550-8	BRUSH HOLDER CAP 5-8	2	PC.
31			251812-6	SCREW M5X10	1	PC.
32			231004-3	COMPRESSION SPRING 18	1	PC.
33			421007-7	RUBBER PACKING	1	PC.
34			312566-1	FRONT BASE	1	PC.
35			265878-0	* TAPPING SCREW BT 5X16	4	PC.
36			312023-9	BASE	1	PC.
37			263002-9	* RUBBER PIN (Old)	1	PC.
38			211032-4	BALL BEARING 608ZZ	1	PC.
39			161061-6	DRUM	1	PC.
40			263014-2	* RUBBER PIN (Old)	1	PC.
41			265877-2	* TAPPING SCREW BT 4X60	2	PC.
42			156313-8	BRACKET COMPLETE	1	PC.
		INC.		Item No. 46,51		
43			265875-6	* TAPPING SCREW BT 4X25	6	PC.
44		1	222008-6	* V-PULLEY 4-20L - N/L/A	1	PC.
		2	222125-2	* V-PULLEY 4-20L (OLD# 222008-6 - N/L/A)	1	PC.
45		1	411019-8	BELT COVER (BLACK W/ RED LOGO) - N/L/A	1	PC.
		2	450051-7	BELT COVER (BLUE W/ WHITE LOGO)	1	PC.
46			263002-9	RUBBER PIN 4	1	PC.
47			911148-2	PAN HEAD SCREW M4X25	2	PC.
48			225007-7	POLY V-BELT 4-241	1	PC.
49		1	222009-4	* V-PULLEY 4-37	1	PC.
		2	222126-0	* V-PULLEY 4-37	1	PC.
50			211062-5	BALL BEARING 6000ZZ	1	PC.
51			263002-9	RUBBER PIN 4	1	PC.

Item No.	Type	Sub	Part No.	Description (* See Service Changes on the bottom)	Q'ty	Unit
52	1		342430-2	* ADJUST PLATE	2	PC.
	2		345644-2	* ADJUST PLATE	2	PC.
53	1		251246-3	* + PAN HEAD SCREW M4X5	4	PC.
	2		265132-2	* + PAN HEAD SCREW M4X5	4	PC.
54			345007-2	DRUM PLATE (2PCS/SET)	1	SET
55			251609-3	HEX. FLANGE HEAD BOLT M6X17	6	PC.
58			913206-0	SET SCREW M5X8 (Old)	2	PC.
60			343433-9	SET PLATE F/MINI BLADE	2	PC.
	Opt.		193540-6	SET PLATE 2PC/SET	1	SET
200			652008-6	P.H.SCREW M3.5X7 (F/WIRING)	4	PC.
201			654037-5	INSULATED EYE TERMINAL FV1.25-M3 (F/WIRING)	4	PC.
ACCESSORIES				- See catalogue or visit www.makita.ca for other optional accessories -		
A01			123004-6	SHARPENING HOLDER ASS'Y	1	PC.
	INC.		934301-3	WING NUT M6	2	PC.
	INC.		251920-3	CAP SQUARE NECK BOLT M6X30	2	PC.
	INC.		341003-8	PRESSURE PLATE	1	PC.
	INC.		411174-6	SHARPENING HOLDER	1	PC.
A02			123062-2	BLADE GAUGE ASS'Y	1	PC.
	INC.		911228-4	PAN HEAD SCREW M5X18	2	PC.
	INC.		411086-3	GAUGE PLATE	1	PC.
			123010-1	BLADE GAUGE ASS'Y	1	PC.
	INC.		911228-4	PAN HEAD SCREW M5X18	2	PC.
	INC.		411086-3	GAUGE PLATE	1	PC.
A03			782209-3	SOCKET WRENCH 9	1	PC.
A04			824944-8	PLASTIC CARRYING CASE	1	PC.
	INC.		417059-4	LATCH	2	PC.
	INC.		418889-6	HANDLE	1	PC.
A05			D-16966	3-1/4" MINI PLANER BLADE 35DEGREE, 2PC/SET	1	SET
			793322-2	3-1/4" MINI PLANER BLADE 50DEGREE, 2PC/SET	1	SET
			A-82921	3-1/4" MINI PLANER BLADE 65DEGREE, 2PC/SET	1	SET
A06			191455-1	GUIDE RULE SET (BEVEL GUIDE)	1	SET
	INC.		164371-0	GUIDE RULE (RIP FENCE)	1	PC.
	INC.		251812-6	SCREW	1	PC.
	Opt.		123060-6	GUIDE RULE ASS'Y	1	PC.
	INC.		923211-9	CAP SQUARE NECK BOLT M5X12	2	PC.
	INC.		911221-8	PAN HEAD SCREW M5X16	2	PC.
	INC.		934201-7	WING NUT M5	2	PC.
	INC.		256612-9	PIN 5	1	PC.
A07			132309-3	DRUM ASS'Y - N/A	1	PC.
	INC.			Item No. 39,52,54,55		
A08			D-17223	3-1/4" CARBIDE TIPPED PLANER BLADE, 2PC/SET	1	SET
			D-17217	3-1/4" HIGH SPEED STEEL PLANER BLADE, 2PC/SET	1	SET
A09			D-17239	SET PLATE AND 3-1/4" MINI PLANER BLADE SET	1	SET
A10			794061-7	DRESSING STONE 150-1200 (7LANGUAGES)	1	PC.
A11			122194-2	NOZZLE ASS'Y		PC.
	INC.		256612-9	PIN 5	1	PC.
	INC.		152122-3	NOZZLE FOR DUST BAG	1	PC.
	INC.		213601-7	O RING 50	1	PC.
	INC.		411311-2	ELBOW	1	PC.
A12			122230-4	DUST BAG ASS'Y	1	PC.
	INC.		152122-3	NOZZLE FOR DUST BAG	1	PC.
	INC.		213601-7	O RING 50	1	PC.
A13			STEX122275	JOINT 55 ASS'Y	1	PC.
A14			191725-8	EXTENSION GUIDE SET	1	SET
	INC.		911201-4	PAN HEAD SCREW M5X8	2	PC.
	INC.		252045-6	SQUARE NUT M5	2	PC.
A15			181572-5	NOZZLE SET (USE WITH A13, CONNECT TO HOSE)	1	PC.