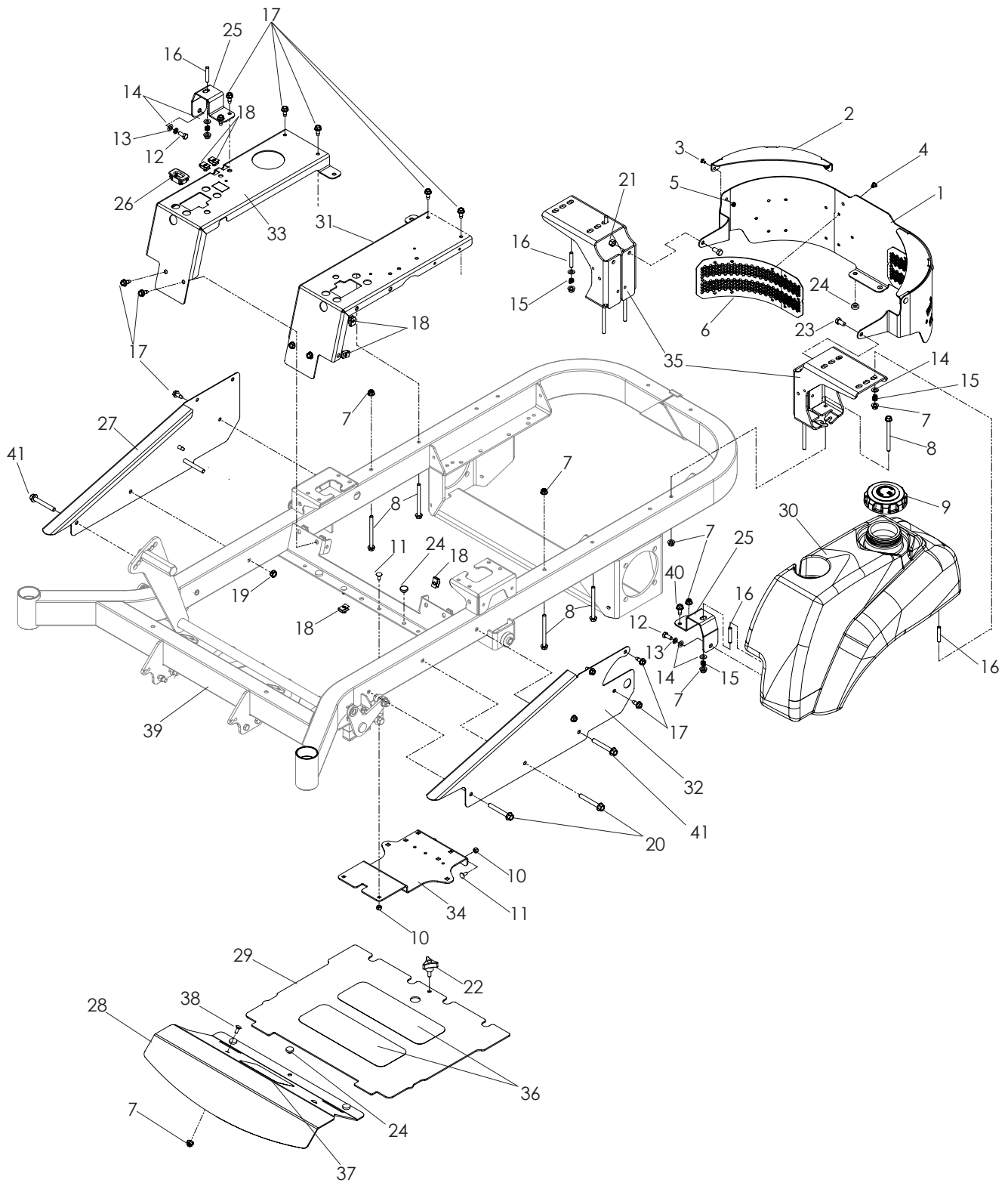


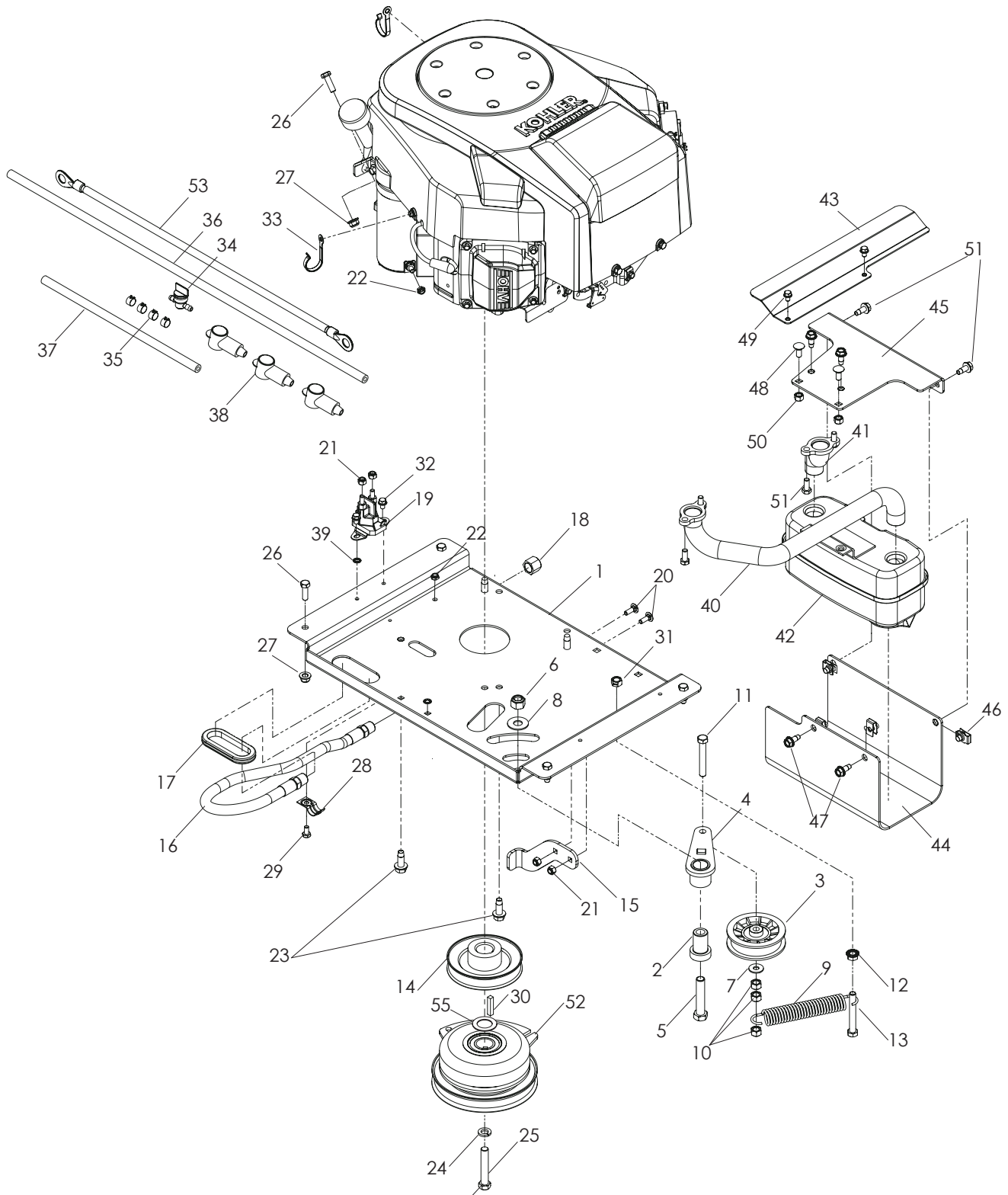
CHASSIS / FRAME



CHASSIS / FRAME

| ITEM | PART NO. | QTY. | DESCRIPTION | ITEM | PART NO. | QTY. | DESCRIPTION |
|------|----------------|------|----------------------------|------|----------------|------|--------------------------|
| 1.. | 539 131594.... | 1 | GUARD, REAR | 22.. | 539 104411.... | 1 | KNOB W/STUD |
| 2.. | 539 131751.... | 2 | SUPPORT, TOP | 23.. | 539 990134.... | 2 | HCS 3/8-16 x 3/4 |
| 3.. | 539 111777.... | 6 | RHSSNB 1/4-20 x 1/2 | 24.. | 539 102587.... | 7 | GROMMET, BUMPER |
| 4.. | 539 200684.. | 12 | RIVET, 3/16 STAVEX | 25.. | 539 131671.... | 2 | SUPPORT, TANK |
| 5.. | 539 108120.... | 6 | NUT 1/4-20 HEX THIN NYLOC | 26.. | 539 110074.... | 1 | HOUR METER |
| 6.. | 539 131753.... | 2 | PANEL, HEX, RR | 27.. | 539 131579.... | 1 | SIDE, RT |
| 7.. | 539 112899.. | 15 | NUT 5/16-18 FLANGE NYLOC | 28.. | 539 132380.... | 1 | PLATE, FOOTREST |
| 8.. | 539 131780.... | 8 | HHFS 5/16-18 x 3 3/4 | 29.. | 539 132744.... | 1 | PLATE, FLOOR W/DECALS |
| 9.. | 539 106188.... | 1 | FUEL CAP | 30.. | 539 104409.... | 1 | FUEL TANK, LEFT |
| 10.. | 539 976978.... | 4 | NUT 1/4-20 HEX NYLOC | 31.. | 539 131589.... | 1 | PANEL, FILLER, LT |
| 11.. | 539 111786.... | 4 | RHSSNB 1/4-20 x 5/8 | 32.. | 539 131577.... | 1 | SIDE, LT |
| 12.. | 539 976934.... | 2 | HCS 5/16-18 x 3/4 | 33.. | 539 131591.... | 1 | PANEL, FILLER, RT |
| 13.. | 539 990187.... | 2 | WASHER 5/16 SLW | 34.. | 539 131537.... | 1 | MOUNT, BATTERY |
| 14.. | 539 990188.... | 9 | WASHER 5/16 SAE FLAT | 35.. | 539 131692.... | 2 | MOUNT, TANK, RR |
| 15.. | 539 102845.... | 6 | SPRING, TANK MOUNT | 36.. | 539 977778.... | 2 | ABRASIVE PAD |
| 16.. | 539 102502.... | 6 | STUD 5/16C | 37.. | 539 121322.... | 2 | FOOT PAD |
| 17.. | 539 107475.. | 16 | BOLT 5/16-18 x 3/4 THD FRM | 38.. | 539 990208.... | 3 | RHSNB 5/16-18 x 1 |
| 18.. | 539 104763.. | 12 | RETAINER, U TYPE | 39.. | 539 132743.... | 1 | FRAME W/DECALS 52", 61" |
| 19.. | 539 200282.... | 6 | NUT 3/8-16 HEX JAM NYLOC | | 539 132749.... | 1 | FRAME W/DECALS 72" |
| 20.. | 539 131781.... | 2 | HHFS 3/8-16 x 2 3/4 | 40.. | 539 113226.... | 1 | BOLT 5/16-18 x 1 THD FRM |
| 21.. | 539 976979.... | 2 | NUT 3/8-16 HEX NYLOC | 41.. | 539 133006.... | 4 | HHFS 3/8-16 x 2 1/2 |

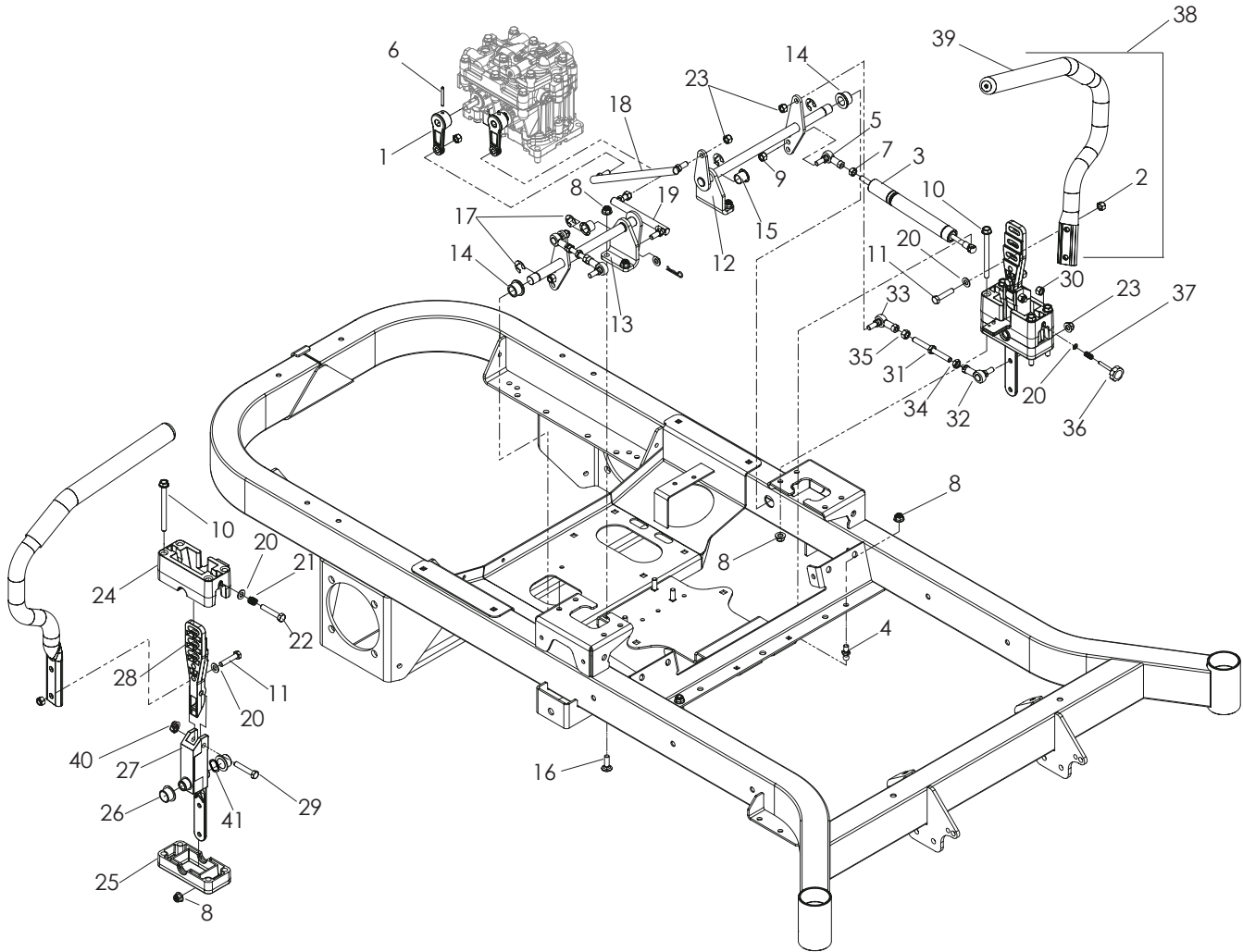
ENGINE PLATE



ENGINE PLATE

| ITEM | PART NO. | QTY. | DESCRIPTION | ITEM | PART NO. | QTY. | DESCRIPTION |
|------|-----------------|------|-------------------------------|----------------|----------------|--------------|---|
| 1.. | 539 131726.... | 1 | PLATE, ENGINE | 32.. | 539 990302.... | 2 | SCREW ¼-20 x ¾ THD FRM |
| 2.. | 539 101231.... | 1 | IDLER SPINDLE | 33.. | 539 107098.... | 2 | CLAMP |
| 3.. | 539 110311 | 1 | IDLER PULLEY | 34.. | 539 916325.... | 1 | FUEL VALVE |
| 4.. | 539 112092.... | 1 | IDLER ARM WLDMT | 35.. | 539 912222.... | 4 | HOSE CLAMP |
| 5.. | 539 108346.... | 1 | HCS ½-13 x 2½ | 36.. | 539 105382.... | 1 | FUEL LINE-30" |
| 6.. | 539 101331.... | 1 | NUT ½ HEX NYLOC | 37.. | 539 108212.... | 1 | FUEL LINE-13" |
| 7.. | 539 990692.... | 1 | WASHER, 5/16 STD FLT | 38.. | 539 102759.... | 3 | INSULATOR |
| 8.. | 539 990550.... | 1 | WASHER, ½ STD FLT | 39.. | 539 990053.... | 1 | WASHER ¼ INT TOOTH LK |
| 9.. | 539 101977.... | 1 | TRACTION SPRING | 40.. | 539 131739.... | 1 | MANIFOLD, FT |
| 10.. | 539 976979.... | 3 | NUT ¾-16 HEX NYLOC | 41.. | 539 131740.... | 1 | MANIFOLD, RR |
| 11.. | 539 110122.... | 1 | HCS ¾-16 x 2½ TPBLT | 42.. | 539 131604.... | 1 | MUFFLER ASM TWIN |
| 12.. | 539 990613.... | 1 | NUT ¾-16 HEX WHIZLK | 43.. | 539 131758.... | 1 | SHIELD, HEAT |
| 13.. | 539 102612.... | 1 | HCS ¾-16 x 2¾ | 44.. | 539 131769.... | 1 | GUARD, MUFFLER |
| 14.. | 539 109639.... | 1 | PULLEY | 45.. | 539 131771.... | 1 | MOUNT, MUFFLER |
| 15.. | 539 131728.... | 1 | TIE DOWN, CLUTCH | 46.. | 539 104763.... | 4 | RETAINER, U TYPE |
| 16.. | 539 131729.... | 1 | DRAIN, OIL | 47.. | 539 107475.... | 6 | BOLT 5/16-18 x ¾ THD FRM |
| 17.. | 539 107210.... | 1 | GROMMET | 48.. | 539 990316.... | 2 | RHSNB 5/16-18 x ¾ |
| 18.. | 539 101364.... | 1 | PLUG-OIL | 49.. | 539 990302.... | 2 | SCREW ¼-20 x ¾ THD FRM |
| 19.. | 539 101714.... | 1 | SOLENOID | 50.. | 539 990717.... | 2 | NUT 5/16-18 HEX NYLOC |
| 20.. | 539 990074.... | 2 | RHSNB ¼-20 x ¾ GR2 ZN | 51.. | 539 976934.... | 4 | HCS 5/16-18 x ¾ |
| 21.. | 539 976978.... | 6 | NUT ¼-20 HEX NYLOC | 52.. | 539 132732.... | 1 | CLUTCH, MODELS: 968999717, 968999720, 968999748 |
| 22.. | 539 108120.... | 3 | NUT ¼-20 HEX THIN NYLOC | 53.. | 539 132733.... | 1 | CLUTCH, MODELS: 968999718, 968999719, 968999721, 968999749, 968999780 |
| 23.. | 532 120616.... | 4 | BOLT ¾-16 x 1 THD FRM | 54.. | 539 132412.... | 1 | CABLE, POSITIVE |
| 24.. | 539 990247.... | 1 | WASH 7/16 SLW | 55.. | 539 115675.... | 1 | WASHER, 1.025ID X 1.64OD |
| 25.. | 539 991120 | 1 | HCS 7/16-20 x 2½ | NOT SHOWN | | | |
| 26.. | 539 990209.... | 5 | HCS 5/16-18 x 1 | 539 107516 ... | 1 | PIGTAIL | |
| 27.. | 539 112899.... | 5 | NUT 5/16-18 FLANGE NYLOC | | | | |
| 28.. | 539 101363.... | 2 | CLAMP | | | | |
| 29.. | 539 990071.... | 2 | HCS ¼-20 x ½ | | | | |
| 30.. | 539 912757.... | 1 | KEY ¼ SQ x 1¼ | | | | |
| 31.. | 539 990546.... | 1 | NUT ¾-16 HEX CNTRLK | | | | |

STEERING



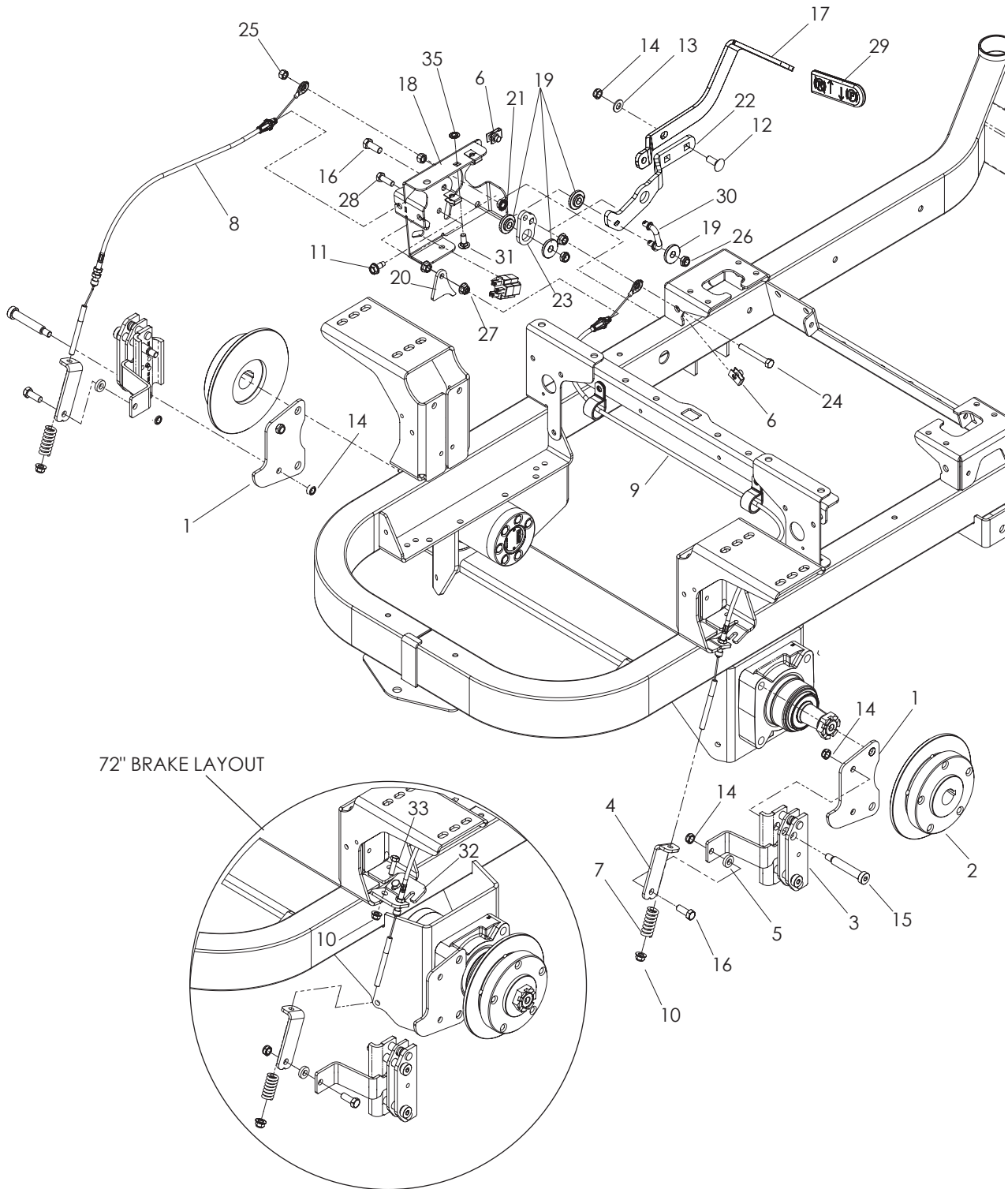
STEERING

| ITEM | PART NO. | QTY. | DESCRIPTION | ITEM | PART NO. | QTY. | DESCRIPTION |
|------|----------------|------|---|------|----------------|------|--|
| 1.. | 539 131546.... | 2 | ARM, PUMP | 22.. | 539 108394.... | 1 | HCS ⁵ / ₁₆ -18 x 1 ³ / ₄ TPBLT |
| 2.. | 539 990717.... | 4 | NUT ⁵ / ₁₆ -18 HEX NYLOC | 23.. | 539 108743.... | 4 | NUT ⁵ / ₁₆ -24 CNTRLK |
| 3.. | 539 131658.... | 2 | DAMPENER W/SPRING | 24.. | 539 131517.... | 1 | BLOCK, UPPER |
| 4.. | 539 110607.... | 2 | STUD, 10MM BALL | 25.. | 539 131519.... | 1 | BLOCK, LOWER |
| 5.. | 539 131749.... | 2 | ROD END | 26.. | 539 131518.... | 2 | BEARING, FLANGE |
| 6.. | 539 131559.... | 2 | PIN, SPIRAL, ⁵ / ₃₂ x 1 ¹ / ₂ | 27.. | 539 131520.... | 1 | PIVOT SECTION, DR CNTRL |
| 7.. | 539 127046.... | 2 | NUT M8 x 1.25 STD HEX | 28.. | 539 131521.... | 1 | MOUNT, DR CNTRL HANDLE |
| 8.. | 539 112899.. | 18 | NUT ⁵ / ₁₆ -18 FLANGE NYLOC | 29.. | 539 990669.... | 1 | HCS ⁵ / ₁₆ -18 x 1 ³ / ₄ |
| 9.. | 539 118496.... | 2 | NUT M8 NYLOC | 30.. | 539 990196.... | 2 | NUT ⁵ / ₁₆ -18 HEX |
| 10.. | 539 131780.... | 8 | HHFS ⁵ / ₁₆ -18 x 3 ³ / ₄ | 31.. | 539 131550.... | 1 | JACK SCREW |
| 11.. | 539 976935.... | 4 | HCS ⁵ / ₁₆ -18 x 1 ¹ / ₂ | 32.. | 539 110604.... | 1 | SPHERICAL ROD END LH |
| 12.. | 539 132163.... | 1 | CONTROL WLDMT, LT | 33.. | 539 110603.... | 1 | SPHERICAL ROD END RH |
| 13.. | 539 132164.... | 1 | CONTROL WLDMT, RT | 34.. | 539 991073.... | 1 | NUT ⁵ / ₁₆ -24 HEX JAM LH |
| 14.. | 539 132168.... | 2 | BUSHING, FLANGED, ⁵ / ₈ | 35.. | 539 990223.... | 1 | NUT ⁵ / ₁₆ -24 HEX |
| 15.. | 539 132169.... | 2 | BUSHING, CLIP, ⁵ / ₈ | 36.. | 539 131799.... | 1 | KNOB |
| 16.. | 539 990208.... | 4 | RHSNB ⁵ / ₁₆ -18 x 1 | 37.. | 539 101224.... | 1 | SPRING |
| 17.. | 539 105069.... | 4 | E-RING | 38.. | 539 132009.... | 1 | LEVER, DRIVE W/GRIP RT |
| 18.. | 539 131551.... | 1 | LINK, MOTION, LT | | 539 132010.... | 1 | LEVER, DRIVE W/GRIP LT |
| 19.. | 539 131552.... | 1 | LINK, MOTION, RT | 39.. | 539 130894.... | 2 | GRIP, DRIVER LEVER |
| 20.. | 539 990188.... | 5 | WASHER ⁵ / ₁₆ SAE FLAT | 40.. | 539 112899.... | 2 | NUT, ⁵ / ₁₆ -18, FLANGE, NYLOC |
| 21.. | 539 102845.... | 1 | SPRING, TANK MOUNT | 41.. | 539 133007.... | 2 | WASHER, .825, WAVE |

CONTROLS

| ITEM | PART NO. | QTY. | DESCRIPTION | ITEM | PART NO. | QTY. | DESCRIPTION |
|------|-----------------|--------|--------------------------|-----------|----------------|--------|-----------------|
| 1.. | 539 107593.... | 1 | CONSOLE | 7.. | 539 107541.... | 1 | IGNITION SWITCH |
| 2.. | 539 131627.... | 1 | SWITCH, PTO 10 AMP | 8.. | 539 130209.... | 1 | CONTROL, CHOKE |
| 3.. | 539 112438.... | 1 | THROTTLE CABLE | 9.. | 539 105408.... | 4 | WASHER #10 FLAT |
| 4.. | 539 131721.... | 1 | CONSOLE PLATE | 10.. | 539 132723.... | 1 | DECAL, CONSOLE |
| 5.. | 539 990411 | 6 | SCREW #10-24 x ½ SLT HEX | NOT SHOWN | | | |
| 6.. | 539 976977.... | 2 | NUT #10-24 HEX NYLOC | | 539 976856 ... | 1 | TIE, PLASTIC |

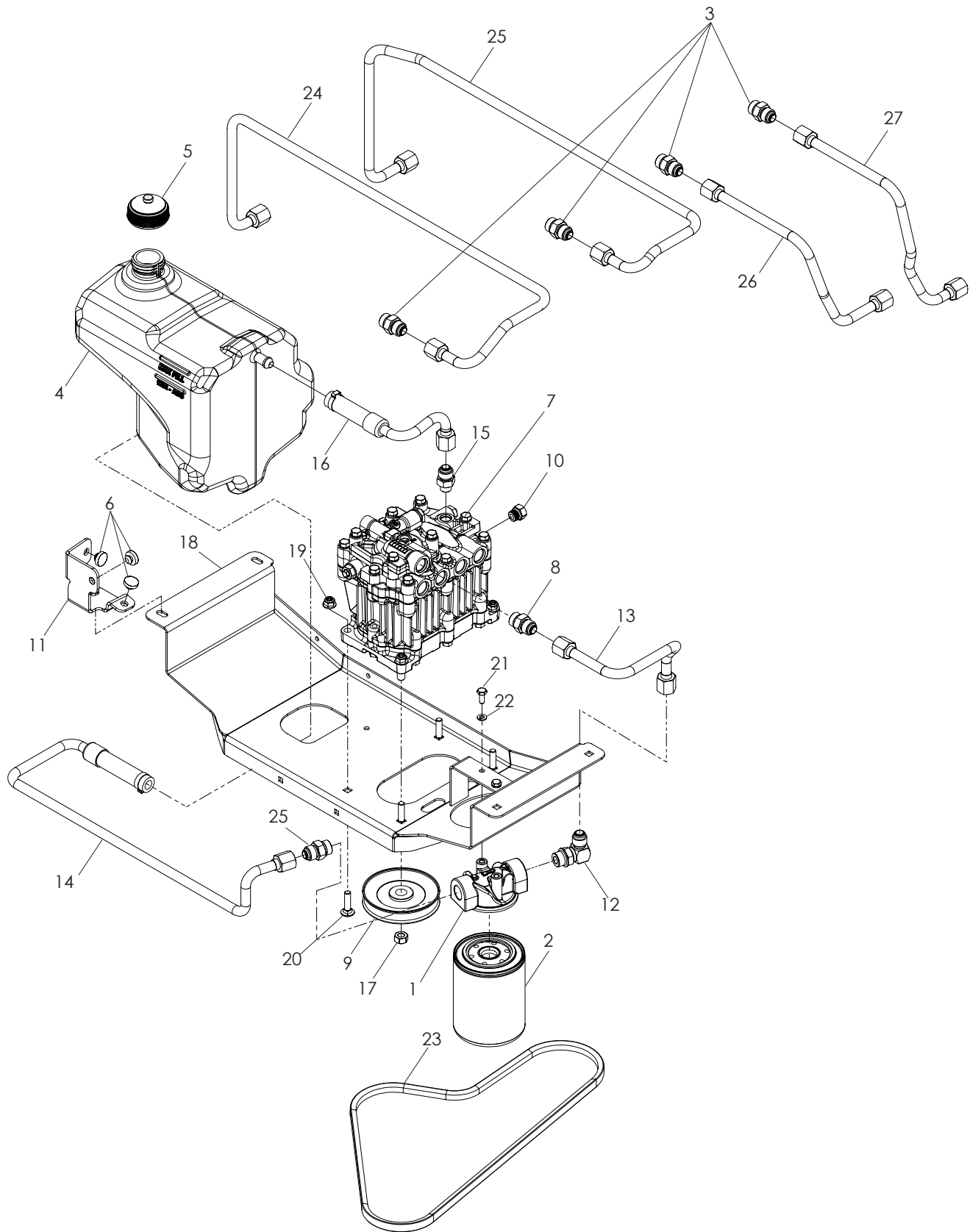
PARKING BRAKE



PARKING BRAKE

| ITEM | PART NO. | QTY. | DESCRIPTION | ITEM | PART NO. | QTY. | DESCRIPTION |
|------|----------------|------|---|-----------|----------------|------|--|
| 1.. | 539 131599.... | 2 | PLATE, BRAKE | 20.. | 539 132154.... | 1 | ACTUATOR, SWITCH |
| 2.. | 539 131737.... | 2 | HUB, 5 BOLT | 21.. | 539 990585.... | 3 | NUT ⁵ / ₁₆ -18 HEX WHIZLK |
| 3.. | 539 131738.... | 2 | CALIPER, PARK BRAKE | 22.. | 539 132423.... | 1 | LEVER, BRAKE |
| 4.. | 539 132176.... | 3 | BRACKET, L | 23.. | 539 132153.... | 1 | BELLCRAKE, BRAKE |
| 5.. | 539 109562.... | 3 | WASHER ³ / ₈ x ³ / ₄ x .187 TK | 24.. | 539 108396.... | 1 | HCS ⁵ / ₁₆ -18 x 2 ¹ / ₂ TPBLT |
| 6.. | 539 104763.... | 1 | RETAINER, U TYPE | 25.. | 539 990717.... | 1 | NUT ⁵ / ₁₆ -18 HEX NYLOC |
| 7.. | 539 113952.... | 2 | SPRING | 26.. | 539 200282.... | 2 | NUT ³ / ₈ -16 HEX JAM NYLOC |
| 8.. | 539 132173.... | 1 | CABLE, BRAKE, SHORT | 27.. | 539 112899.... | 1 | NUT ⁵ / ₁₆ -18 FLANGE NYLOC |
| 9.. | 539 132174.... | 2 | CABLE, BRAKE, LONG | 28.. | 539 990209.... | 1 | HCS ⁵ / ₁₆ -18 x 1ZD |
| 10.. | 539 112899.... | 4 | NUT ⁵ / ₁₆ -18 FLANGE NYLOC | 29.. | 539 105036.... | 1 | GRIP, BRAKE HANDLE |
| 11.. | 539 107475.... | 3 | BOLT ⁵ / ₁₆ -18 x ³ / ₄ THD FRM | 30.. | 539 132424.... | 1 | LINKAGE, BRAKE |
| 12.. | 539 990645.... | 2 | RHSNB ³ / ₈ -16 x 1 | 31.. | 539 990316.... | 1 | RHSNB ⁵ / ₁₆ -18 x ³ / ₄ GR5 |
| 13.. | 539 990122.... | 2 | WASHER, ³ / ₈ SAE FLT | 32.. | 539 132185.... | 1 | BRKT, EXTENSION 72" ONLY |
| 14.. | 539 200282.... | 9 | NUT ³ / ₈ -16 HEX JAM NYLOC | 33.. | 539 990209.... | 2 | HCS ⁵ / ₁₆ -18 x 1 |
| 15.. | 539 113951.... | 4 | SB ³ / ₈ -16 x 2 ¹ / ₂ SKT HD | NOT SHOWN | | | |
| 16.. | 539 990563.... | 5 | HCS ³ / ₈ -16 x 1ZD | | 539 976856 ... | 2 | TIE, PLASTIC |
| 17.. | 539 132151.... | 1 | ARM, BRAKE | | | | |
| 18.. | 539 132158.... | 1 | MOUNT, BRAKE WELDMENT | | | | |
| 19.. | 539 132161.... | 4 | BUSHING, BRAKE | | | | |

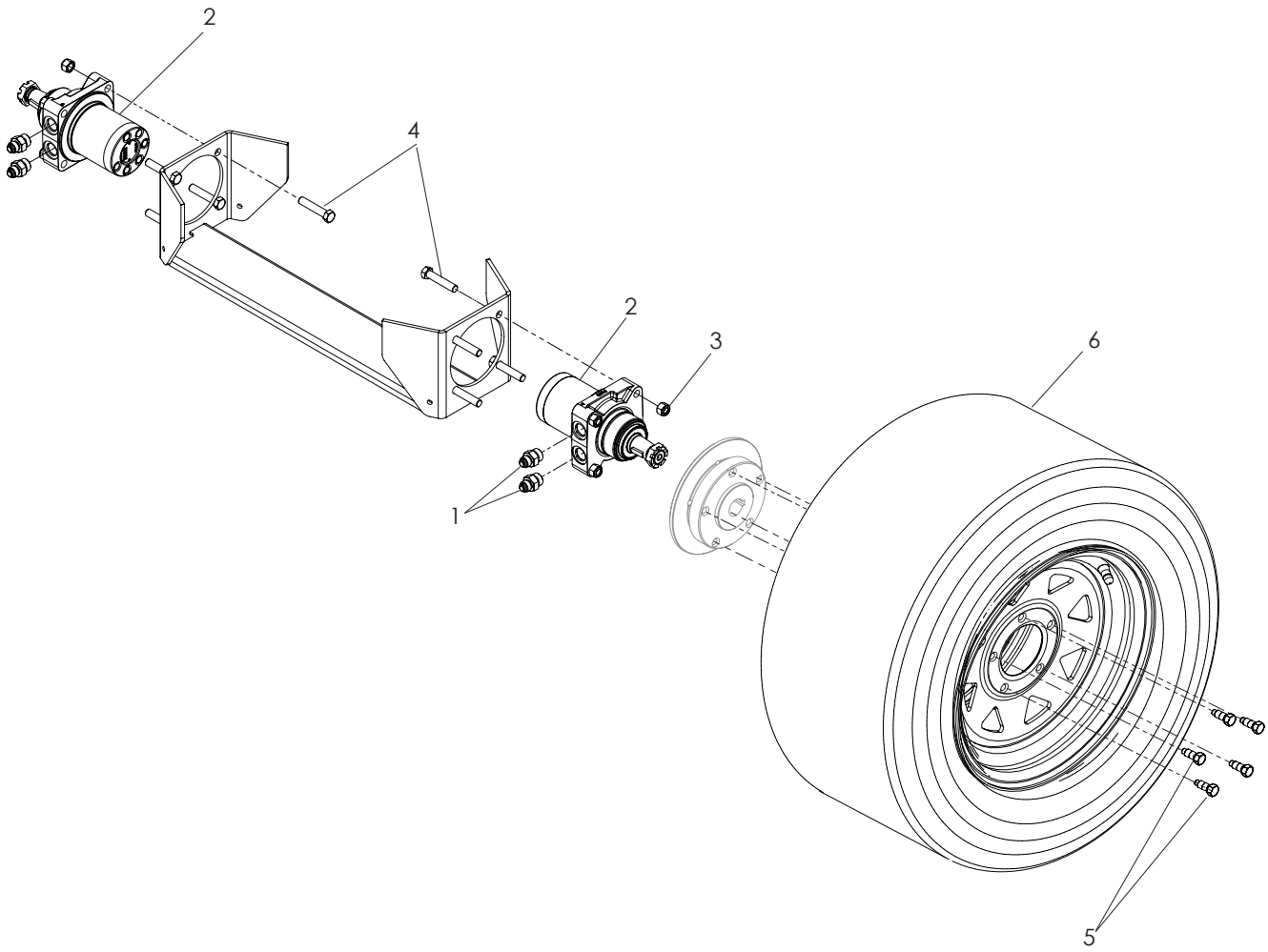
HYDRAULIC PUMP-MOTOR



HYDRAULIC PUMP-MOTOR

| ITEM | PART NO. | QTY. | DESCRIPTION | ITEM | PART NO. | QTY. | DESCRIPTION |
|------|----------------|------|---|----------------|----------------|--|--|
| 1.. | 539 105892.... | 1 | FILTER HEAD | 24.. | 539 131531.... | 1 | HYDRO LINE MODELS 968999717, 968999718, 968999720, 968999721, 968999748, 968999749, 968999780 |
| 2.. | 539 105893.... | 1 | FILTER, OIL | 539 131538 ... | 1 | HYDRO LINE MODEL 968999719 | |
| 3.. | 539 101237.... | 4 | STRAIGHT CONNECTOR | 539 131532 ... | 1 | HYDRO LINE MODELS 968999717, 968999718, 968999720, 968999721, 968999748, 968999749, 968999780 | |
| 4.. | 539 131663.... | 1 | RESERVOIR | 539 131539 ... | 1 | HYDRO LINE MODEL 968999719 | |
| 5.. | 539 101202.... | 1 | OIL CAP | 539 131533 ... | 1 | HYDRO LINE MODELS 968999717, 968999718, 968999720, 968999721, 968999748, 968999749, 968999780 | |
| 6.. | 539 102587.... | 3 | GROMMET, BUMPER | 539 131540 ... | 1 | HYDRO LINE MODEL 968999719 | |
| 7.. | 539 131657.... | 1 | PUMP, DUP10S | 539 131534 ... | 1 | HYDRO LINE MODELS 968999717, 968999718, 968999720, 968999721, 968999748, 968999749, 968999780 | |
| 8.. | 539 132889.... | 2 | FITTING, 10-8 STRAIGHT | 539 131541 ... | 1 | HYDRO LINE MODEL 968999719 | |
| 9.. | 539 131727.... | 1 | PULLEY, PUMP | NOT SHOWN | | | |
| 10.. | 539 131895.... | 1 | PLUG, 6408-6 | 539 133028 ... | 1 | SEAL KIT (DUP10S PUMP) | |
| 11.. | 539 132417.... | 1 | SUPPORT, RESERVOIR | 539 133029 ... | 1 | INPUT SEAL KIT (DUP10S PUMP) | |
| 12.. | 539 132888.... | 1 | ELBOW | | | | |
| 13.. | 539 132887.... | 1 | HYDRO LINE, CHARGE | | | | |
| 14.. | 539 132886.... | 1 | HYDRO LINE, INLET | | | | |
| 15.. | 539 131748.... | 1 | FITTING, HYDRO | | | | |
| 16.. | 539 131529.... | 1 | HYDRO LINE, CASE | | | | |
| 17.. | 539 131528.... | 1 | NUT M10-1.5 L/H HEX | | | | |
| 18.. | 539 131773.... | 1 | PLATE, PUMP | | | | |
| 19.. | 539 112899.... | 4 | NUT ⁵ / ₁₆ -18 FLANGE NYLOC | | | | |
| 20.. | 539 100472.... | 4 | RHSNB ⁵ / ₁₆ -18 x 1 ¹ / ₄ | | | | |
| 21.. | 539 990072.... | 2 | HCS ¹ / ₄ -20 x ⁵ / ₈ | | | | |
| 22.. | 539 990052.... | 2 | WASHER, ¹ / ₄ SPLIT LOCK | | | | |
| 23.. | 539 111445.... | 1 | BELT, IZT | | | | |

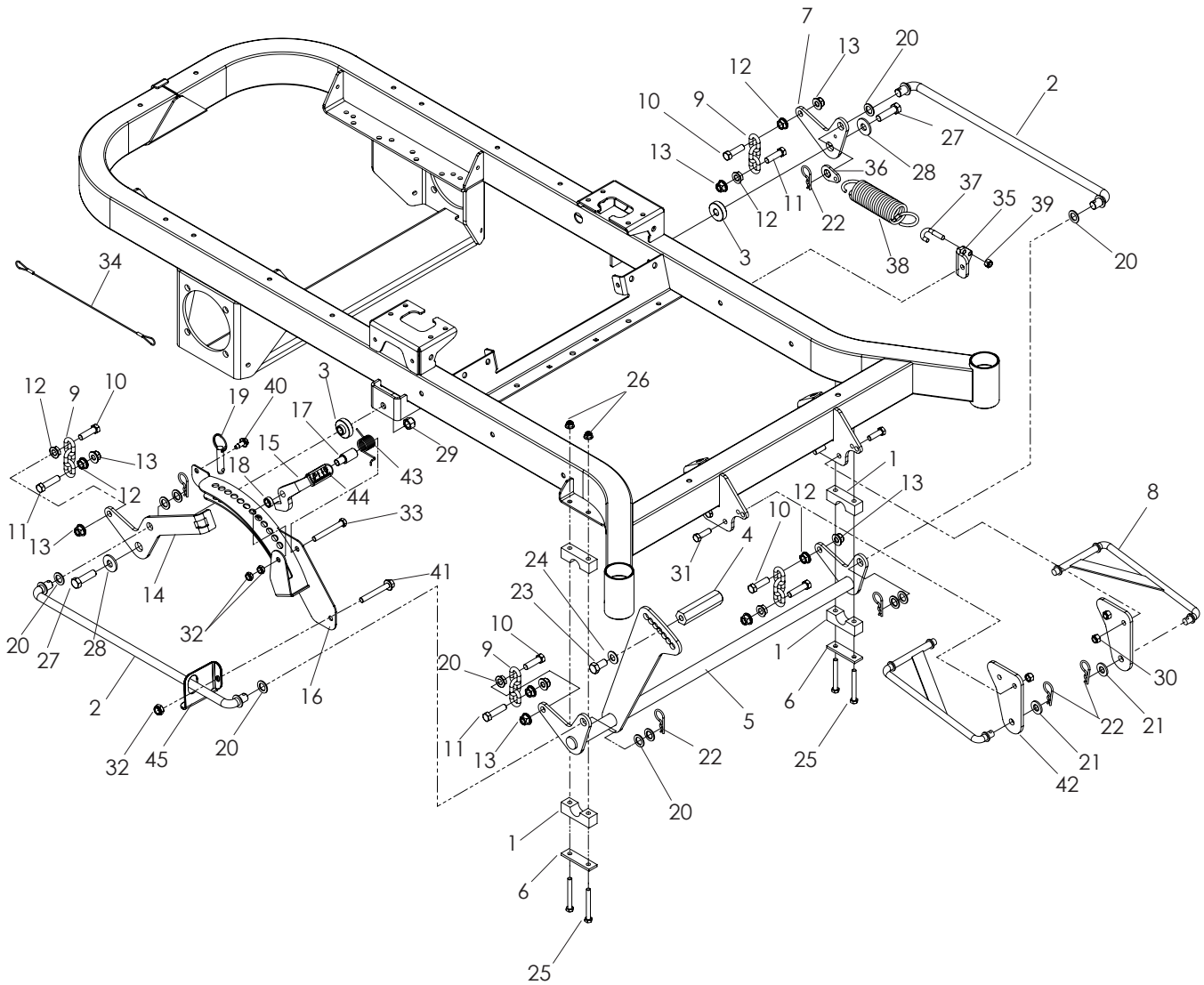
WHEELS AND TIRES



WHEELS AND TIRES

| ITEM | PART NO. | QTY. | DESCRIPTION | ITEM | PART NO. | QTY. | DESCRIPTION |
|------|-----------------|------|--------------------|------|-----------------|------|------------------|
| 1.. | 539 101239....4 | | STRAIGHT CONNECTOR | 4.. | 539 108346....8 | | HCS ½-13 x 2½ |
| 2.. | 539 114523....2 | | WHEEL MOTOR, TJ | 5.. | 532 140080..10 | | BOLT, HUB |
| 3.. | 539 101331....8 | | NUT ½ HEX NYLOC | 6.. | 532 140556....2 | | TIRE, 23 x 10.50 |

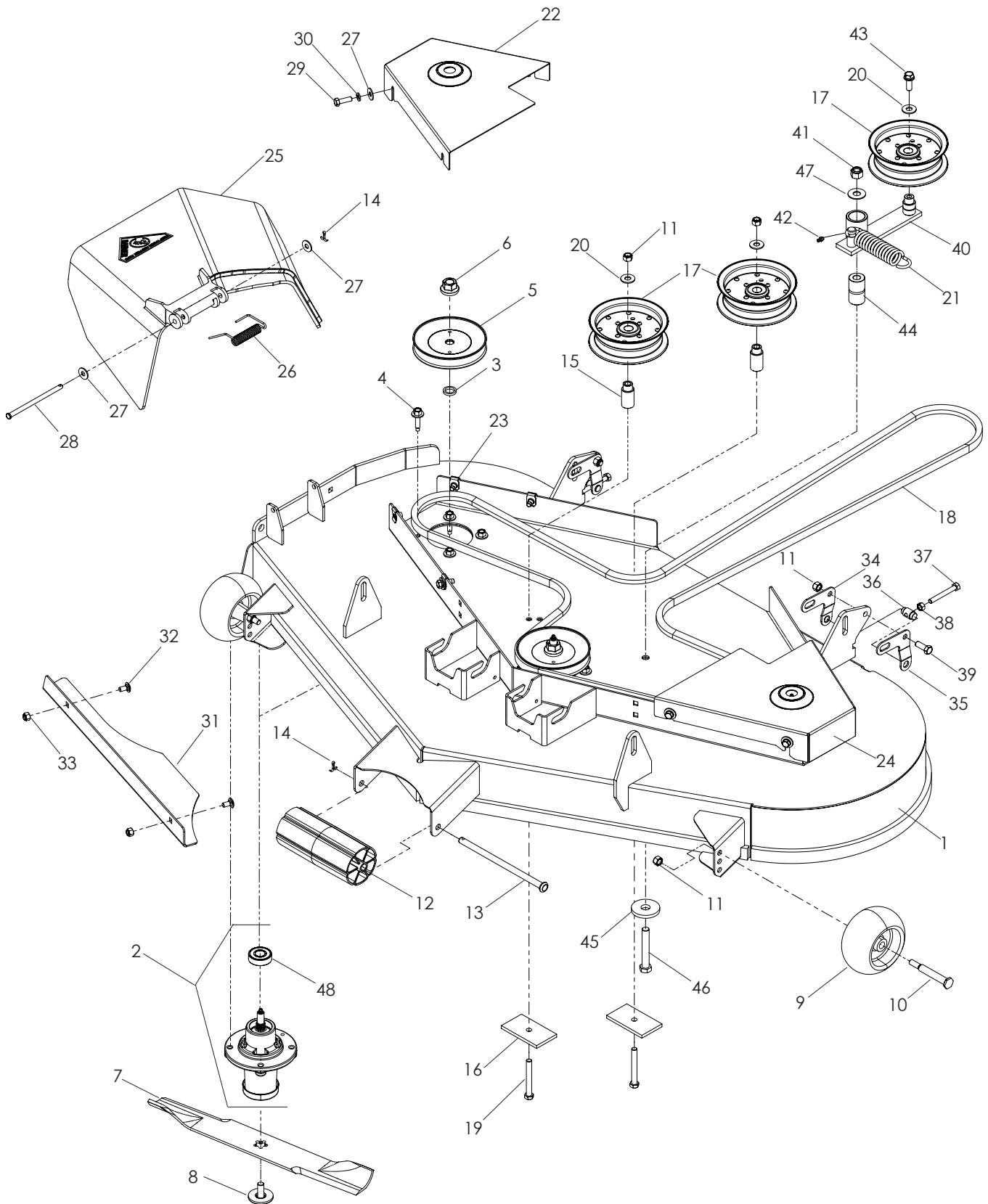
MOWER LIFT / DECK LIFT



MOWER LIFT / DECK LIFT

| ITEM | PART NO. | QTY. | DESCRIPTION | ITEM | PART NO. | QTY. | DESCRIPTION |
|------|-----------------|------|---|-----------------|-----------------|-------------------|---|
| 1.. | 539 104808....4 | | PILLOW BLOCK | 25.. | 539 101721....4 | | HCS $\frac{5}{16}$ -18 x $2\frac{3}{4}$ |
| 2.. | 539 110808....2 | | DECK LIFT LINK | 26.. | 539 112899....5 | | NUT $\frac{5}{16}$ -18 FLANGE NYLOC |
| 3.. | 539 118937....2 | | IDLER SPACER | 27.. | 539 108181....2 | | HCS $\frac{1}{2}$ -13 x $1\frac{3}{4}$ GR 8 |
| 4.. | 539 131556....1 | | PEDAL, FOOT, HEX | 28.. | 539 109554....2 | | WASHER $\frac{1}{2}$ FLAT |
| 5.. | 539 131558....1 | | SHAFT, FRONT-LIFT | 29.. | 539 101331....2 | | NUT $\frac{1}{2}$ HEX NYLOC |
| 6.. | 539 104807....2 | | REINFORCEMENT BAR | 30.. | 539 976979....4 | | NUT $\frac{3}{8}$ -16 HEX NYLOC |
| 7.. | 539 131897....1 | | BELLCRANK, RR, LIFT | 31.. | 539 976941....4 | | HCS $\frac{3}{8}$ -16 x $1\frac{1}{4}$ |
| 8.. | 539 112223....2 | | STRUT LINKAGE | 32.. | 539 200282....3 | | NUT $\frac{3}{8}$ -16 HEX JAM NYLOC |
| 9.. | 539 109693....4 | | LIFT CHAIN-3 LINK | 33.. | 539 101341....1 | | HCS $\frac{3}{8}$ -16 x 3 |
| 10.. | 539 101175....4 | | HCS $\frac{7}{16}$ -14 x $1\frac{1}{2}$ | 34.. | 539 105059....1 | | LANYARD |
| 11.. | 539 108073....4 | | HCS $\frac{7}{16}$ -14 x $1\frac{3}{4}$ | 35.. | 539 131791....1 | | MOUNT, SPRING |
| 12.. | 539 102582....8 | | NUT $\frac{7}{16}$ -14 HEX WHIZ LK | 36.. | 539 131792....1 | | TAB, SPRING |
| 13.. | 539 132019....8 | | NUT $\frac{7}{16}$ -14 HEX WHIZ LK | 37.. | 539 112896....1 | | J-BOLT |
| 14.. | 539 131853....1 | | BELLCRANK, RR, RT | 38.. | 539 102642....1 | | SPRING, DECK BELTS |
| 15.. | 539 131566....1 | | LATCH, TRANSPORT | 39.. | 539 990717....1 | | NUT $\frac{5}{16}$ -18 NYLOC |
| 16.. | 539 131850....1 | | HEIGHT, ADJUST, DECK | 40.. | 539 107475....1 | | BOLT $\frac{5}{16}$ -18 x $\frac{3}{4}$ THD FRM |
| 17.. | 539 131860....1 | | PIVOT, LATCH, TRANSPORT | 41.. | 539 131781....1 | | HHFS $\frac{3}{8}$ -16 x $2\frac{3}{4}$ |
| 18.. | 539 131861....1 | | SPACER, .3 | 42.. | 539 132017....2 | | MOUNT, STRUT 52", 61" |
| 19.. | 539 132182....1 | | PIN, $\frac{1}{2}$ x $1\frac{1}{2}$, DETENT RING | 539 132018....2 | | MOUNT, STRUT, 72" | |
| 20.. | 539 991043..10 | | BUSHING .625 | 43.. | 539 132734....1 | | SPRING, TORSION |
| 21.. | 539 990250....2 | | WASHER, SAE | 44.. | 539 132851....1 | | GRIP |
| 22.. | 539 115501....6 | | PIN, COTTER $1\frac{3}{4}$ | 45.. | 539 132891....1 | | SUPPORT, LIFT LINKAGE MZ7227 ONLY |
| 23.. | 539 990646....1 | | HCS $\frac{1}{2}$ -13 x $1\frac{3}{4}$ | | | | |
| 24.. | 539 102843....1 | | WASHER, $\frac{7}{16}$ " SPRING | | | | |

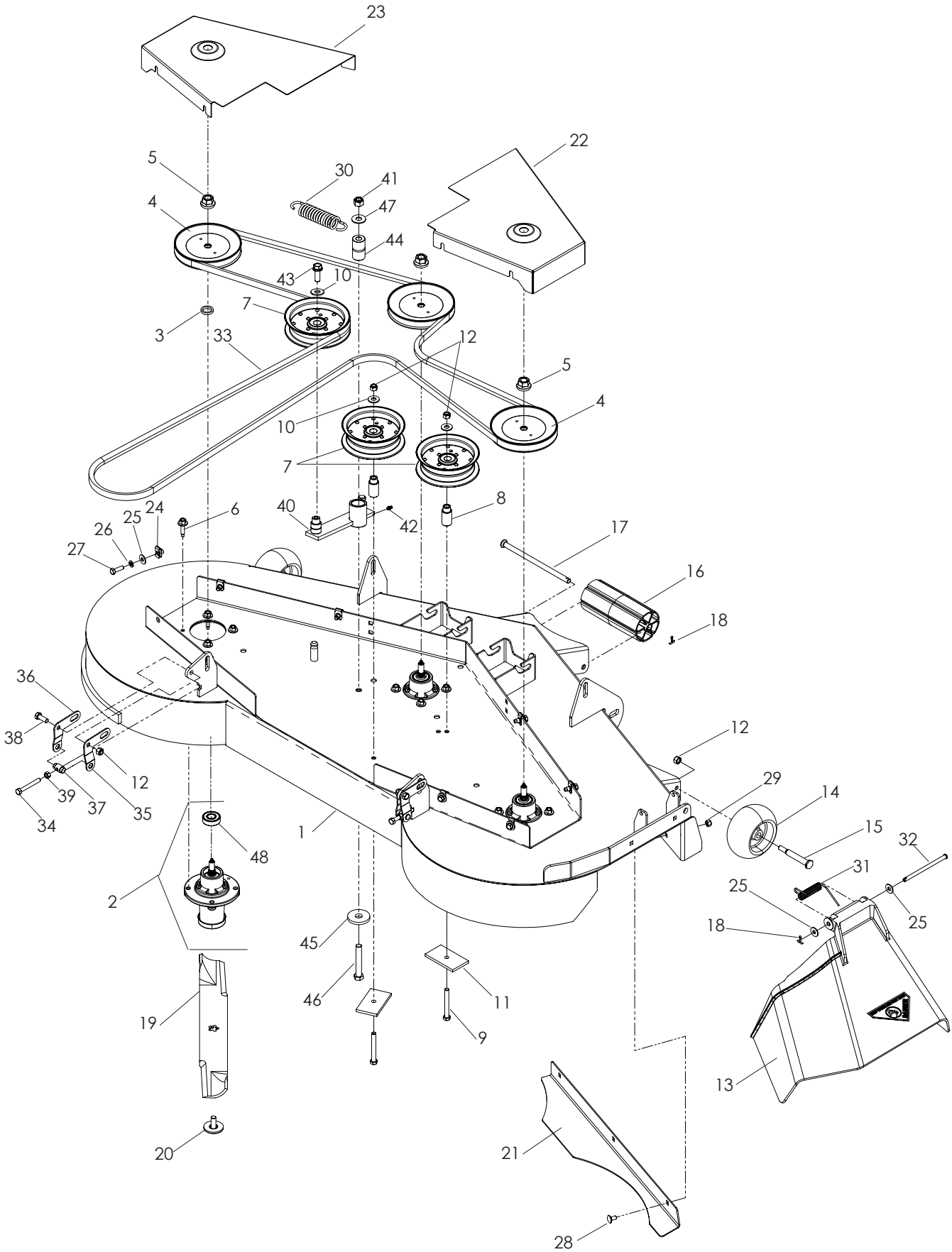
52" DECK



52" DECK

| ITEM | PART NO. | QTY. | DESCRIPTION | ITEM | PART NO. | QTY. | DESCRIPTION |
|------|----------------|------|--|------|----------------|------|---|
| 1.. | 539 132746.... | 1 | DECK 52" W/DECALS | 25.. | 539 110733.... | 1 | DISCHARGE CHUTE, 52" |
| 2.. | 539 112170.... | 3 | HOUSING ASSEMBLY | 26.. | 539 110735.... | 1 | SPRING, TORSION |
| 3.. | 539 107520.... | 3 | WASHER-SPACER | 27.. | 539 990692.. | 10 | WASHER, ⁵ / ₁₆ STD FLT |
| 4.. | 539 107630.. | 12 | SCREW, WASHER HEAD | 28.. | 539 110736.... | 1 | PIN, CLEVIS ⁵ / ₁₆ |
| 5.. | 539 112171.... | 3 | PULLEY | 29.. | 539 990209.... | 8 | HCS ⁵ / ₁₆ -18 x 1 |
| 6.. | 539 107590.... | 3 | NUT ⁹ / ₁₆ TOP CENTER LOCK | 30.. | 539 990187.... | 8 | WASHER ⁵ / ₁₆ SLW |
| 7.. | 539 112079.... | 3 | BLADE, 18"-EZ | 31.. | 539 112417.... | 1 | CONFINEMENT PLATE, 52" |
| 8.. | 539 107522.... | 3 | BOLT, ⁷ / ₁₆ , BLADE | 32.. | 539 990799.... | 2 | RHSNB ⁵ / ₁₆ -18 x ⁵ / ₈ |
| 9.. | 539 107610.... | 2 | WHEEL, GAUGE | 33.. | 539 990717.... | 2 | NUT ⁵ / ₁₆ -18 HEX NYLOC |
| 10.. | 539 107608.... | 2 | BOLT, SHOULDER | 34.. | 539 131857.... | 2 | PITCH, ADJUST, RT |
| 11.. | 539 976979.... | 6 | NUT ³ / ₈ -16 HEX NYLOC | 35.. | 539 131858.... | 2 | PITCH, ADJUST, LT |
| 12.. | 532 176066.... | 1 | ROLLER, NOSE, 48" | 36.. | 539 131859.... | 2 | TRUNION, PITCH |
| 13.. | 539 107613.... | 1 | ROD, ROLLER, NOSE | 37.. | 539 108396.... | 2 | HCS ⁵ / ₁₆ -18 x 2 ¹ / ₂ TPBLT |
| 14.. | 539 990365.... | 2 | PIN, COTTER ¹ / ₈ x ³ / ₄ | 38.. | 539 990196.... | 2 | NUT ⁵ / ₁₆ -18 HEX |
| 15.. | 539 112169.... | 2 | IDLER BUSHING | 39.. | 539 990563.... | 2 | HCS ³ / ₈ -16 x 1 |
| 16.. | 539 103303.... | 2 | PAD, PAINTED | 40.. | 539 112198.... | 1 | IDLER ARM WELDMT |
| 17.. | 539 132728.... | 3 | PULLEY, IDLER | 41.. | 539 101331.... | 1 | NUT ¹ / ₂ HEX NYLOC |
| 18.. | 539 114557.... | 1 | V-BELT | 42.. | 539 976998.... | 1 | ZERK |
| 19.. | 539 101341.... | 2 | HCS ³ / ₈ -16 x 3 | 43.. | 539 990582.... | 1 | HCS ³ / ₈ -16 x 1 WHIZLK |
| 20.. | 539 990517.... | 2 | WASHER, ³ / ₈ FLAT STD | 44.. | 539 103427.... | 1 | PIVOT BUSHING |
| 21.. | 539 103256.... | 1 | SPRING | 45.. | 539 102243.... | 1 | SUPPORT WASHER |
| 22.. | 539 112242.... | 1 | BELT SHIELD, RH | 46.. | 539 103433.... | 1 | HCS ¹ / ₂ -13 x 3 ¹ / ₄ |
| 23.. | 539 104763.... | 8 | RETAINER, U TYPE | 47.. | 539 990550.... | 1 | WASHER, ¹ / ₂ STD FLT |
| 24.. | 539 112244.... | 1 | BELT SHIELD, LH | 48.. | 539 112060.... | 1 | BALL BEARING |

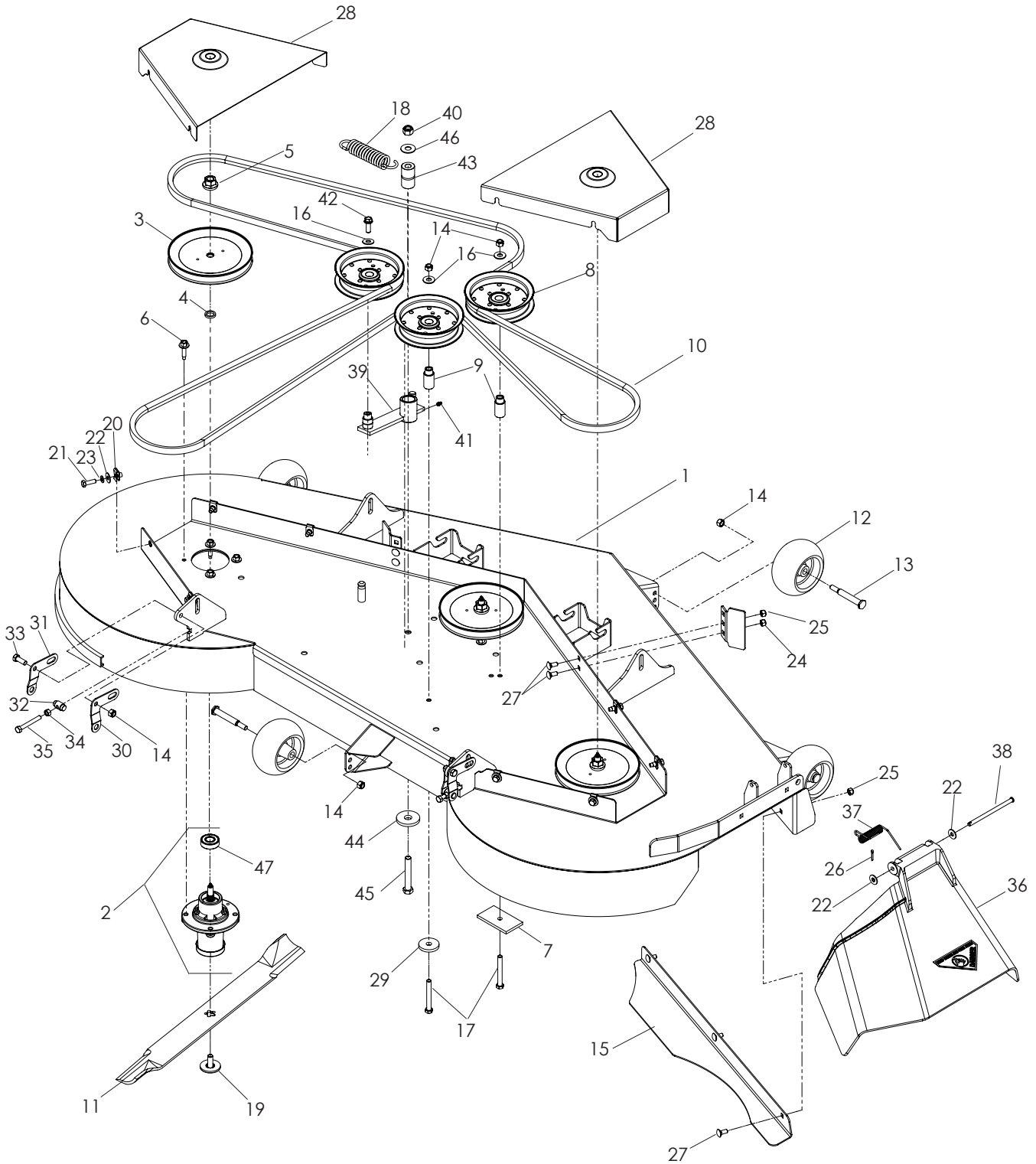
61" DECK



61" DECK

| ITEM | PART NO. | QTY. | DESCRIPTION | ITEM | PART NO. | QTY. | DESCRIPTION |
|------|----------------|------|---|------|----------------|------|--|
| 1.. | 539 132747.... | 1 | DECK W/DECALS 61" | 25.. | 539 990692.. | 10 | WASHER, $\frac{5}{16}$ STD FLT |
| 2.. | 539 112170.... | 3 | HOUSING ASSEMBLY | 26.. | 539 990187.... | 8 | WASHER $\frac{5}{16}$ SLW |
| 3.. | 539 107520.... | 3 | WASHER-SPACER | 27.. | 539 990209.... | 8 | HCS $\frac{5}{16}$ -18 x 1 |
| 4.. | 539 113300.... | 3 | PULLEY | 28.. | 539 990799.... | 3 | RHSNB $\frac{5}{16}$ -18 x $\frac{5}{8}$ |
| 5.. | 539 107590.... | 3 | NUT $\frac{9}{16}$ TOP CENTER LOCK | 29.. | 539 990717.... | 3 | NUT $\frac{5}{16}$ -18 HEX NYLOC |
| 6.. | 539 107630.. | 12 | SCREW, WASHER HEAD | 30.. | 539 103256.... | 1 | SPRING |
| 7.. | 539 132728.... | 3 | PULLEY, IDLER | 31.. | 539 110735.... | 1 | SPRING, TORSION |
| 8.. | 539 112169.... | 2 | IDLER BUSHING | 32.. | 539 110736.... | 1 | PIN, CLEVIS $\frac{5}{16}$ |
| 9.. | 539 101341.... | 2 | HCS $\frac{3}{8}$ -16 x 3 | 33.. | 539 132002.... | 1 | BELT, DECK |
| 10.. | 539 990517.... | 2 | WASHER, $\frac{3}{8}$ FLAT STD | 34.. | 539 108396.... | 2 | HCS $\frac{5}{16}$ -18 x 2 $\frac{1}{2}$ TPBLT |
| 11.. | 539 103303.... | 2 | PAD, PAINTED | 35.. | 539 131857.... | 2 | PITCH, ADJUST, RT |
| 12.. | 539 976979.... | 6 | NUT $\frac{3}{8}$ -16 HEX NYLOC | 36.. | 539 131858.... | 2 | PITCH, ADJUST, LT |
| 13.. | 539 110734.... | 1 | DISCHARGE CHUTE, 61" | 37.. | 539 131859.... | 2 | TRUNION, PITCH |
| 14.. | 539 107610.... | 2 | WHEEL, GAUGE | 38.. | 539 990563.... | 2 | HCS $\frac{3}{8}$ -16 x 1 |
| 15.. | 539 107608.... | 2 | BOLT, SHOULDER | 39.. | 539 990196.... | 2 | NUT $\frac{5}{16}$ -18 HEX |
| 16.. | 532 176066.... | 1 | ROLLER, NOSE, 48" | 40.. | 539 112198.... | 1 | IDLER ARM WELDMT |
| 17.. | 539 107613.... | 1 | ROD, ROLLER, NOSE | 41.. | 539 101331.... | 1 | NUT $\frac{1}{2}$ HEX NYLOC |
| 18.. | 539 990365.... | 2 | PIN, COTTER $\frac{1}{8}$ x $\frac{3}{4}$ | 42.. | 539 976998.... | 1 | ZERK |
| 19.. | 539 113312.... | 3 | BLADE, 21" | 43.. | 539 990582.... | 1 | HCS $\frac{3}{8}$ -16 x 1 WHIZLK |
| 20.. | 539 107522.... | 3 | BOLT, $\frac{7}{16}$, BLADE | 44.. | 539 103427.... | 1 | PIVOT BUSHING |
| 21.. | 539 113317.... | 1 | CONFINEMENT PLATE | 45.. | 539 102243.... | 1 | SUPPORT WASHER |
| 22.. | 539 113319.... | 1 | BELT SHIELD, RH | 46.. | 539 103433.... | 1 | HCS $\frac{1}{2}$ -13 x $\frac{3}{4}$ |
| 23.. | 539 113322.... | 1 | BELT SHIELD, LH | 47.. | 539 990550.... | 1 | WASHER, $\frac{1}{2}$ STD FLT |
| 24.. | 539 104763.... | 8 | RETAINER, U TYPE | 48.. | 539 112060.... | 1 | BALL BEARING |

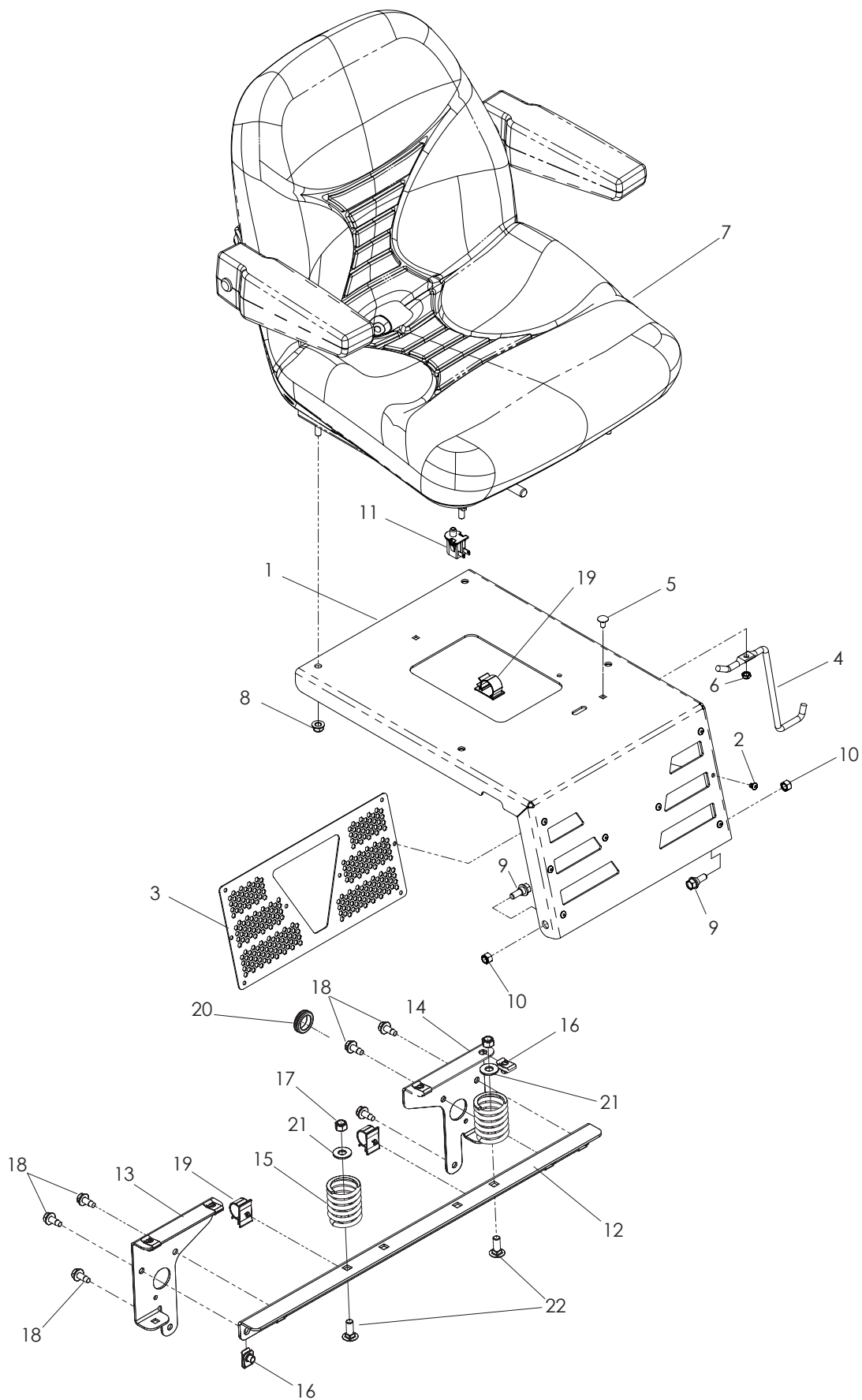
72" DECK



72" DECK

| ITEM | PART NO. | QTY. | DESCRIPTION | ITEM | PART NO. | QTY. | DESCRIPTION |
|------|----------------|------|---|------|----------------|------|---|
| 1.. | 539 132748.... | 1 | DECK, W/DECALS | 25.. | 539 990717.... | 7 | NUT ⁵ / ₁₆ -18 HEX NYLOC |
| 2.. | 539 112170.... | 3 | HOUSING ASSEMBLY | 26.. | 539 990365.... | 1 | PIN, COTTER ¹ / ₈ x ³ / ₄ |
| 3.. | 539 131563.... | 3 | PULLEY | 27.. | 539 990316.... | 7 | RHSNB ⁵ / ₁₆ -18 x ³ / ₄ |
| 4.. | 539 107520.... | 3 | WASHER-SPACER | 28.. | 539 131871.... | 2 | SHIELD, BELT-72" |
| 5.. | 539 107590.... | 3 | NUT ⁹ / ₁₆ TOP CENTER LOCK | 29.. | 539 106504.... | 1 | HEAVY WASHER |
| 6.. | 539 107630.. | 12 | SCREW, WASHER HEAD | 30.. | 539 131857.... | 2 | PITCH, ADJUST, RT |
| 7.. | 539 103303.... | 1 | PAD, PAINTED | 31.. | 539 131858.... | 2 | PITCH, ADJUST, LT |
| 8.. | 539 132728.... | 3 | PULLEY, IDLER | 32.. | 539 131859.... | 2 | TRUNION, PITCH |
| 9.. | 539 112169.... | 2 | IDLER BUSHING | 33.. | 539 990563.... | 2 | HCS ³ / ₈ -16 x 1 |
| 10.. | 539 132003.... | 1 | BELT, DECK | 34.. | 539 990196.... | 2 | NUT ⁵ / ₁₆ -18 HEX |
| 11.. | 539 131562.... | 3 | BLADE, 25" | 35.. | 539 108396.... | 2 | HCS ⁵ / ₁₆ -18 x 2 ¹ / ₂ TPBLT |
| 12.. | 539 107610.... | 4 | WHEEL, GAUGE | 36.. | 539 132730.... | 1 | DISCHARGE CHUTE-72" |
| 13.. | 539 107608.... | 4 | BOLT, SHOULDER | 37.. | 539 110735.... | 1 | SPRING-TORSION |
| 14.. | 539 976979.... | 8 | NUT ³ / ₈ -16 HEX NYLOC | 38.. | 539 110736.... | 1 | PIN, CLEVIS ⁵ / ₁₆ |
| 15.. | 539 131746.... | 1 | CONFINEMENT PLATE, 72" | 39.. | 539 112198.... | 1 | IDLER ARM WELDMT |
| 16.. | 539 990517.... | 2 | WASHER, ³ / ₈ FLAT STD | 40.. | 539 101331.... | 1 | NUT ¹ / ₂ HEX NYLOC |
| 17.. | 539 101341.... | 2 | HCS ³ / ₈ -16 x 3 | 41.. | 539 976998.... | 1 | ZERK |
| 18.. | 539 103256.... | 1 | SPRING | 42.. | 539 990582.... | 1 | HCS ³ / ₈ -16 x 1 WHIZLK |
| 19.. | 539 107522.... | 3 | BOLT, ⁷ / ₁₆ , BLADE | 43.. | 539 103427.... | 1 | PIVOT BUSHING |
| 20.. | 539 104763.... | 8 | RETAINER, U TYPE | 44.. | 539 102243.... | 1 | SUPPORT WASHER |
| 21.. | 539 990209.... | 8 | HCS ⁵ / ₁₆ -18 x 1 | 45.. | 539 103433.... | 1 | HCS ¹ / ₂ -13 x ³ / ₄ |
| 22.. | 539 990692.. | 10 | WASHER, ⁵ / ₁₆ STD FLT | 46.. | 539 990550.... | 1 | WASHER, ¹ / ₂ STD FLT |
| 23.. | 539 990187.... | 8 | WASHER ⁵ / ₁₆ SLW | 47.. | 539 112060.... | 1 | BALL BEARING |
| 24.. | 539 112248.... | 2 | DECK STOP | | | | |

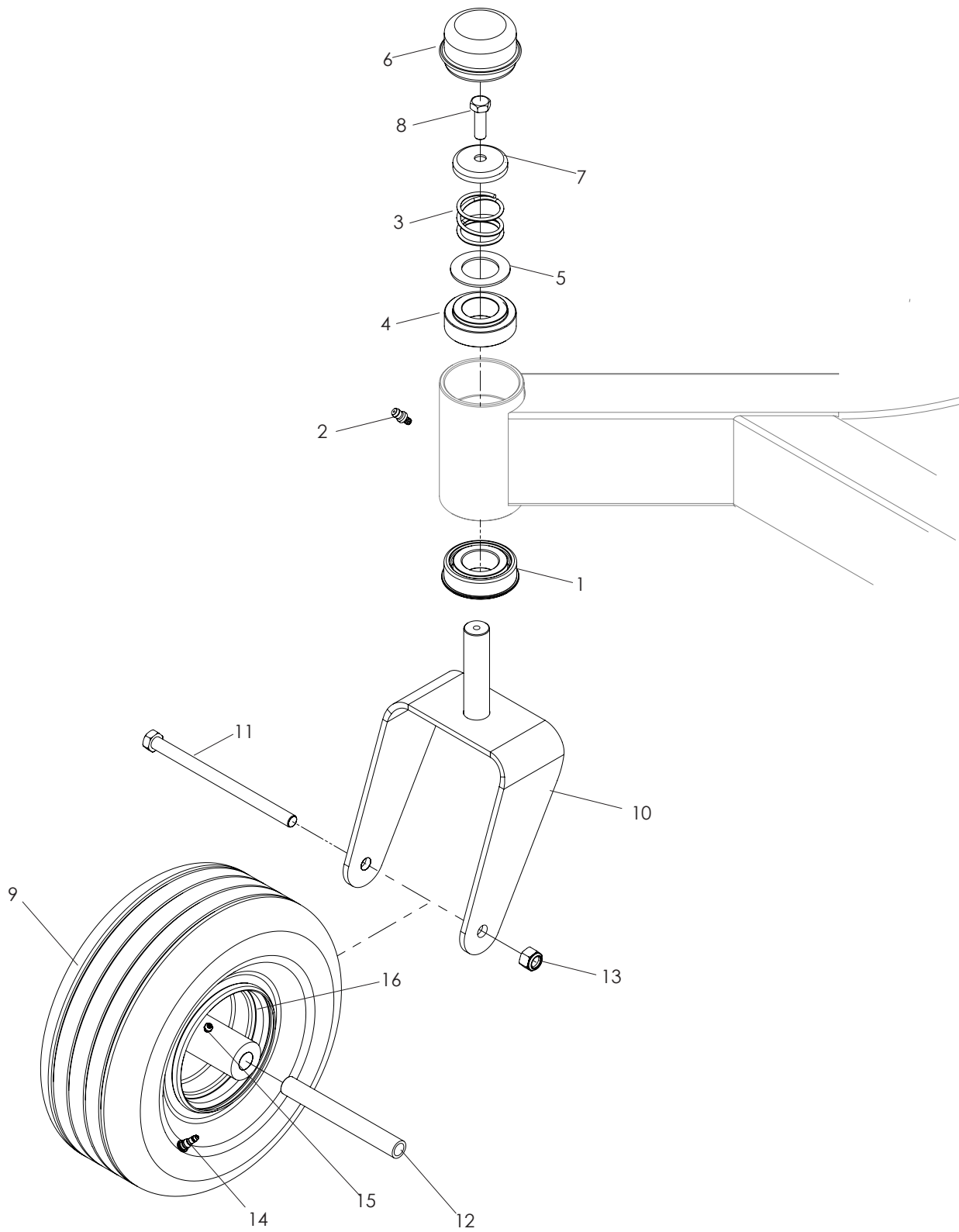
SEAT



SEAT

| ITEM | PART NO. | QTY. | DESCRIPTION | ITEM | PART NO. | QTY. | DESCRIPTION |
|------|-----------------|------|--|------|----------------|------|---|
| 1.. | 539 132745.... | 1 | MOUNT, SEAT W/DECALS | 12.. | 539 131656.... | 1 | SUPPORT, SEAT |
| 2.. | 539 132894.... | 8 | RIVET, ³ / ₁₆ , GRIP | 13.. | 539 131778.... | 1 | SUPPORT, LT |
| 3.. | 539 131763.... | 1 | PANEL, HEX | 14.. | 539 131779.... | 1 | SUPPORT, RT |
| 4.. | 539 131899.... | 1 | STOP, SEAT, FORWARD | 15.. | 539 110300.... | 2 | SPRING, SEAT |
| 5.. | 539 111777 | 1 | RHSSNB ¹ / ₄ -20 x ¹ / ₂ | 16.. | 539 104763.... | 8 | RETAINER, U TYPE |
| 6.. | 539 108120.... | 1 | NUT ¹ / ₄ -20 HEX THIN NYLOC | 17.. | 539 976979.... | 2 | NUT ³ / ₈ -16 HEX NYLOC |
| 7.. | 539 130873.... | 1 | SEAT | 18.. | 539 107475.... | 6 | BOLT ⁵ / ₁₆ -18 x ³ / ₄ THD FRM |
| 8.. | 539 112899.... | 4 | NUT ⁵ / ₁₆ -18 FLANGE NYLOC | 19.. | 539 110815.... | 3 | WIRE CLIP, PUSH MOUNT |
| 9.. | 539 130896.... | 2 | BOLT ⁵ / ₁₆ -18 HEX HD | 20.. | 539 105974.... | 1 | RUBBER GROMMET |
| 10.. | 539 990717.... | 2 | NUT ⁵ / ₁₆ -18 HEX NYLOC | 21.. | 539 990517.... | 2 | WASHER, ³ / ₈ FLAT STD |
| 11.. | 539 119741 | 1 | SEAT SWITCH | 22.. | 539 990645.... | 2 | RHSNB ³ / ₈ -16 x 1 |

CASTERS

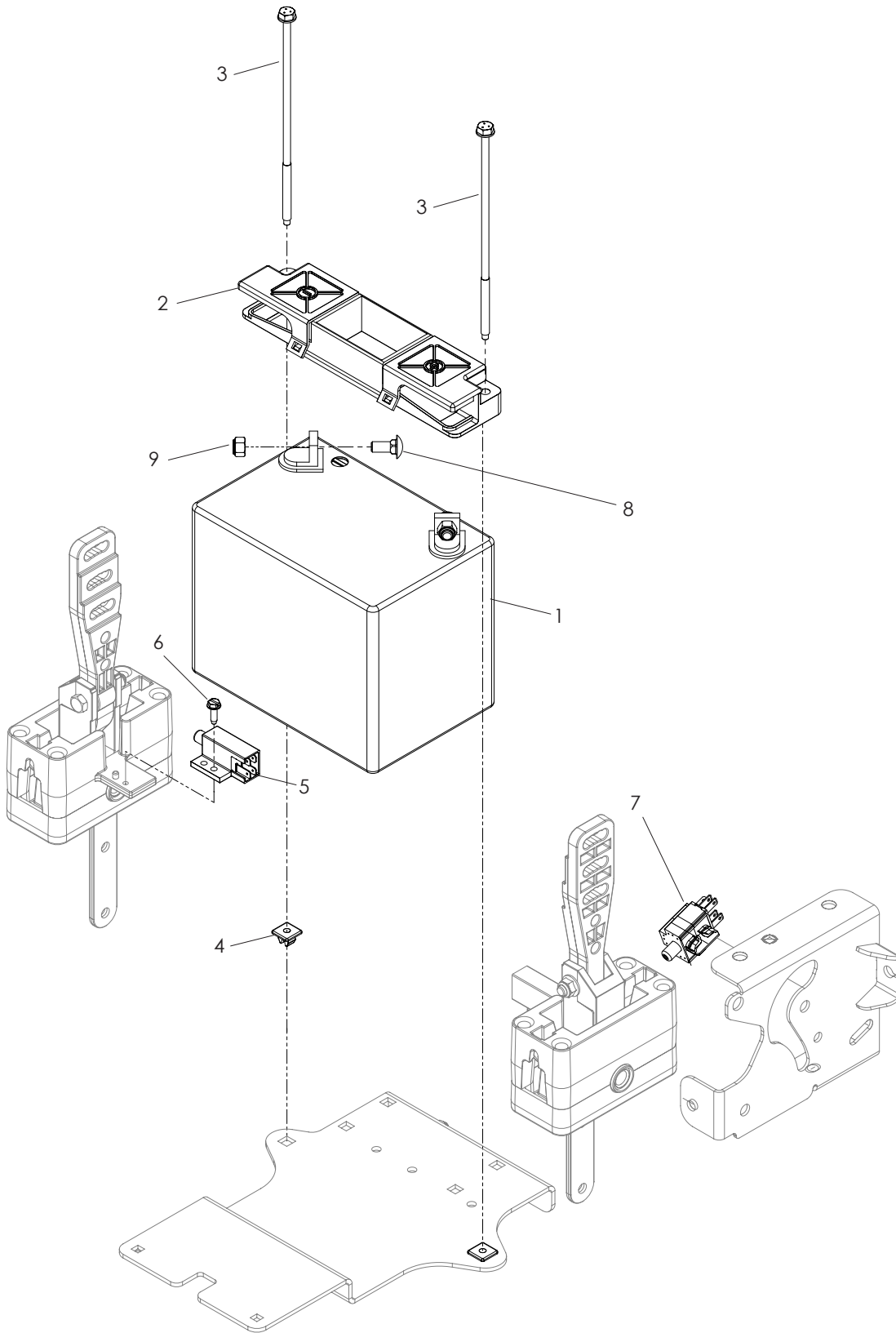


CASTERS

| ITEM | PART NO. | QTY. | DESCRIPTION |
|------|-----------------|------|---|
| 1.. | 539 112660....2 | | BEARING, FLANGED |
| 2.. | 539 115638....2 | | ³ / ₁₆ " DRIVE ZERK |
| 3.. | 539 115747....2 | | SPRING, CASTER |
| 4.. | 539 117901....2 | | BUSHING, CASTER |
| 5.. | 539 115675....2 | | WASHER, 1.025 ID x 1.64 |
| 6.. | 539 102535....2 | | GREASE CAP |
| 7.. | 539 115749....2 | | PLUG, CASTER |
| 8.. | 539 990209....2 | | HCS ⁵ / ₁₆ -18 x 1 |
| 9.. | 539 104572....2 | | TIRE ASSEMBLY |
| 10.. | 539 131674....2 | | YOKE, CASTER |

| ITEM | PART NO. | QTY. | DESCRIPTION |
|-----------|-----------------|------|------------------|
| 11.. | 539 102855....2 | | HCS ½-13 x 7½ |
| 12.. | 539 102856....2 | | SPACER |
| 13.. | 539 101331....2 | | NUT ½ HEX NYLOC |
| 14.. | 539 912234....2 | | AIR VALVE |
| 15.. | 539 976997....2 | | ZERK |
| 16.. | 539 104573....2 | | RIM |
| NOT SHOWN | | | |
| | 539 102485 ...4 | | ROLLER BEARING |
| | 539 102484 ...4 | | BEARING, FLANGED |

ELECTRICAL

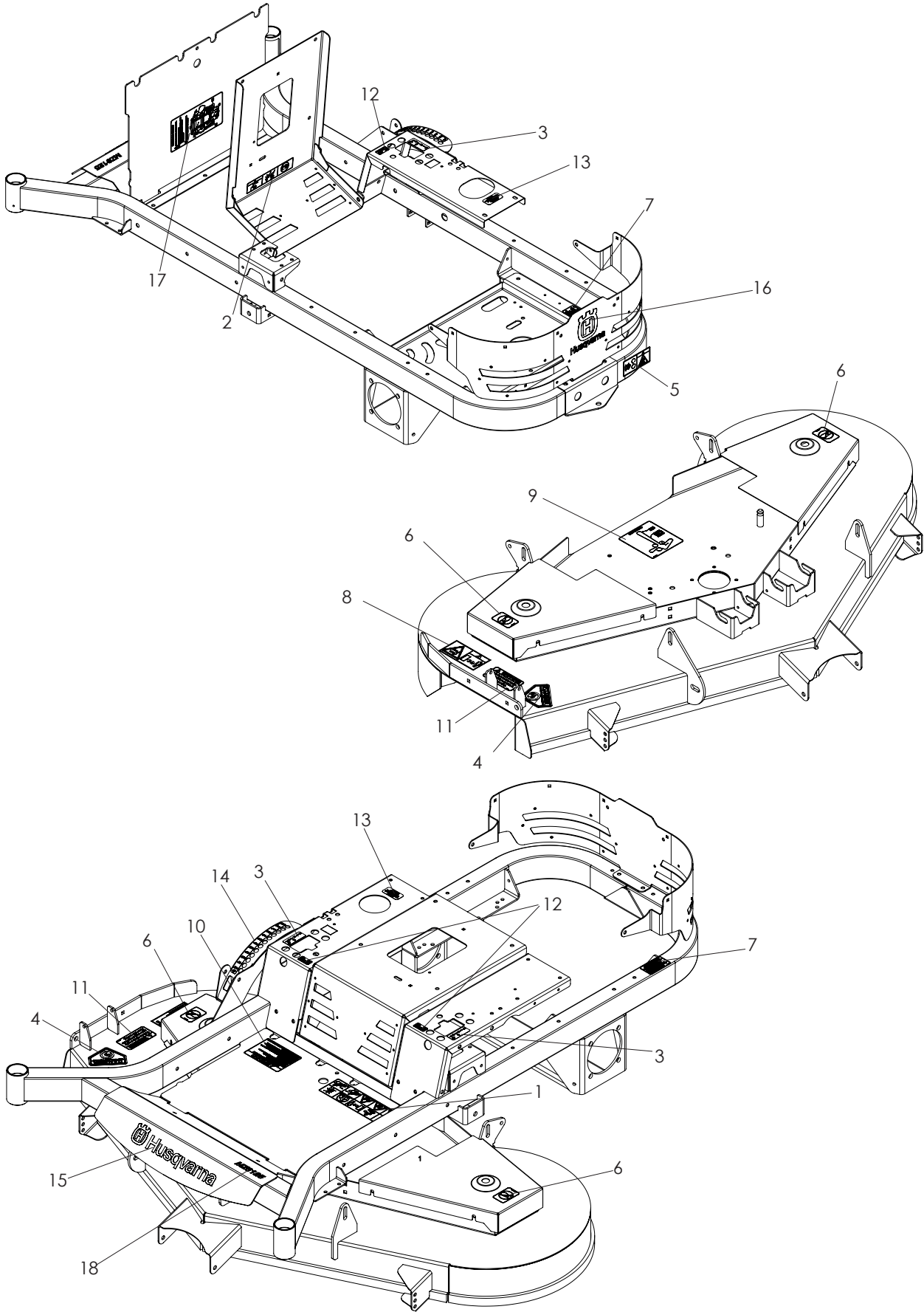


ELECTRICAL

| ITEM | PART NO. | QTY. | DESCRIPTION |
|------|----------------|--------|---------------------------|
| 1.. | 539 102436.... | 1 | BATTERY |
| 2.. | 539 107628.... | 1 | BATTERY HOLD DOWN |
| 3.. | 539 107632.... | 2 | BOLT, 1/4 x 7 1/2 |
| 4.. | 539 107629.... | 2 | NUT 1/4 PUSH, NYLON |
| 5.. | 539 101080.... | 2 | SWITCH, INTERLOCK |
| 6.. | 539 991034.... | 2 | SCREW #10-24 x 5/8 WSH HD |
| 7.. | 539 113792.... | 1 | SWITCH, BRAKE |

| ITEM | PART NO. | QTY. | DESCRIPTION |
|-----------|----------------|--------|--------------------------|
| 8.. | 539 990316.... | 2 | BOLT, 5/16-18 x 3/4 |
| 9.. | 539 112899.... | 2 | NUT 5/16-18 FLANGE NYLOC |
| NOT SHOWN | | | |
| | 539 132413 ... | 1 | POSITIVE CABLE, 46" |
| | 539 107645 ... | 1 | NEGATIVE CABLE, 32" |
| | 539 131743 ... | 1 | MAIN HARNESS |

DECALS



DECALS

| ITEM | PART NO. | QTY. | DESCRIPTION | ITEM | PART NO. | QTY. | DESCRIPTION |
|------|------------|------|----------------------------|-----------|------------|------|---------------------------|
| 1.. | 539 107959 | ...1 | ...DECAL, WARNING | 13.. | 539 132186 | ...1 | ...DECAL, OIL TANK |
| 2.. | 539 105745 | ...1 | ...DECAL, BATTERY WARNING | 14.. | 539 132039 | ...1 | ...DECAL, HEIGHT ADJUST |
| 3.. | 539 103333 | ...2 | ...DECAL, MOTION CONTROL | 15.. | 539 111047 | ...1 | ...DECAL, HUSQ 12" BLUE |
| 4.. | 539 913010 | ...1 | ...DECAL, CPSC | 16.. | 539 111042 | ...1 | ...DECAL, CROWN H, BLUE |
| 5.. | 539 105744 | ...1 | ...DECAL, DANGER BLT DRIVE | 17.. | 539 132187 | ...1 | ...DECAL, SERVICE |
| 6.. | 539 105743 | ...2 | ...DECAL, NO STEP | 18.. | 539 132025 | ...1 | ...DECAL, M5225 |
| 7.. | 539 101881 | ...1 | ...DECAL, PROP 65 | | 539 132026 | ...1 | ...DECAL, M6125 |
| 8.. | 539 105746 | ...1 | ...DECAL, SEVERING | | 539 132027 | ...1 | ...DECAL, M7227 |
| 9.. | 539 132040 | ...1 | ...DECAL, BELT ROUTING | NOT SHOWN | | | |
| 10.. | 539 113213 | ...1 | ...DECAL, WARNING | | 539 110279 | ...1 | ...DECAL, TICK MARK N1485 |
| 11.. | 539 113224 | ...1 | ...DECAL, WARNING | | | | MODELS MZ5225BF, |
| 12.. | 539 110974 | ...2 | ...DECAL, F.S.T | | | | MZ6125BF ONLY |