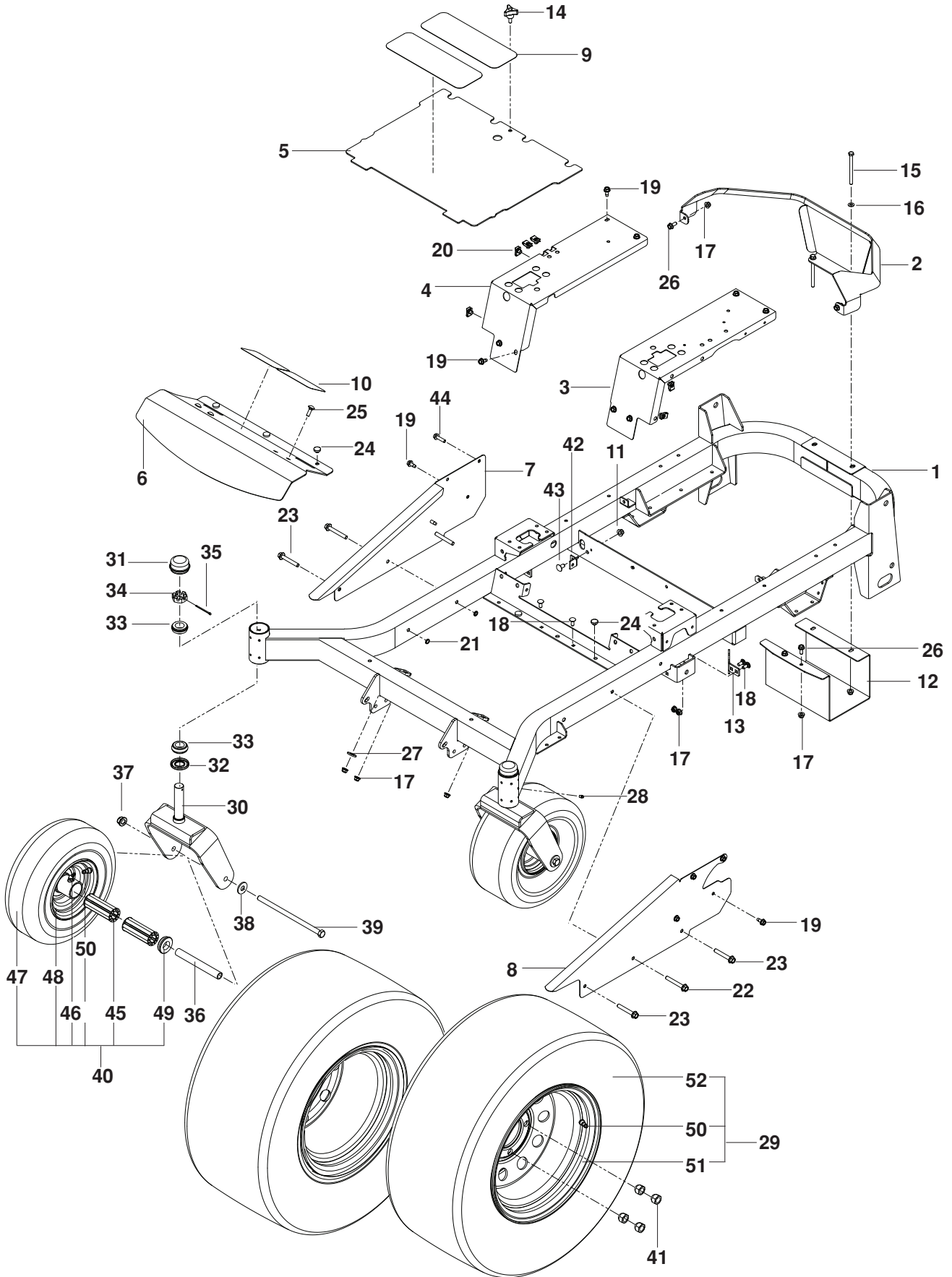


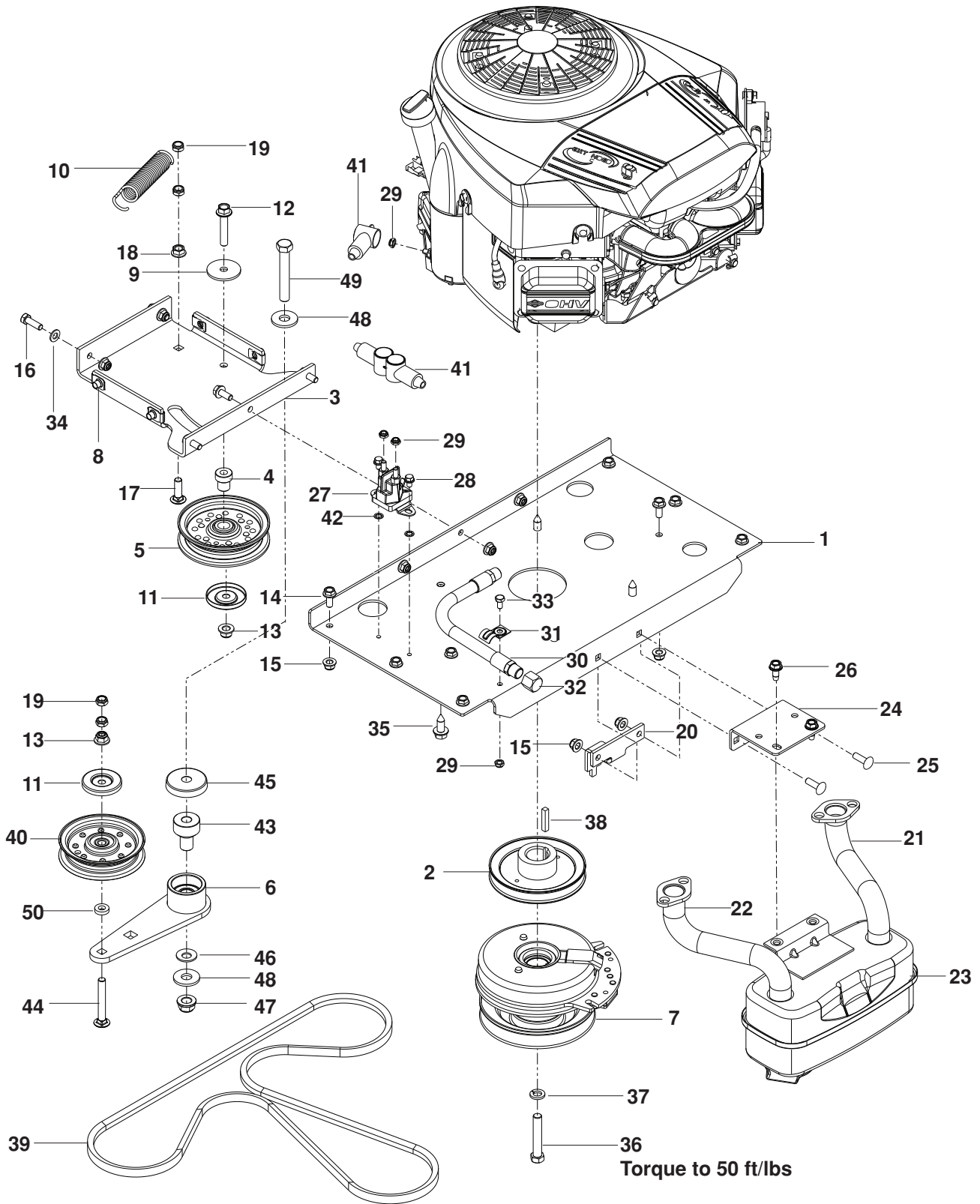
# FRAME



# FRAME

ITEM	PART NO.	QTY.	DESCRIPTION	ITEM	PART NO.	QTY.	DESCRIPTION
1..	575 608701....	1	.... FRAME w/ SAFETY DECALS	27..	539 990250....	1	.... WASHER
2..	575 348402....	1	.... GUARD, REAR	28..	539 101474....	2	.... ZERK
3..	539 131589....	1	.... PANEL, LT	29..	576 356701....	2	.... WHEEL ASSY, REAR
4..	575 223802....	1	.... PANEL, RT	30..	575 329202....	2	.... YOKE, CASTER
5..	539 132744....	1	.... PLATE, FLOOR w/ DECALS	31..	539 102535....	2	.... GREASE CAP
6..	539 132380....	1	.... PLATE, FOOTREST	32..	539 102851....	2	.... SEAL
7..	539 131579....	1	.... SIDE, RT	33..	539 102543....	4	.... BEARING
8..	539 131577....	1	.... SIDE, LT	34..	539 102852....	2	.... SLOTTED JAM NUT 1"-14
9..	539 977778....	2	.... PAD, ABRASIVE LG	35..	539 102889....	2	.... COTTER PIN 1/8 x 2
10..	539 121322....	2	.... PAD, ABRASIVE SM	36..	575 334901....	2	.... SPACER, PIVOT
11..	521 996501....	2	.... NUT 3/8-16 HEX FLG NYLOC	37..	521 991101....	2	.... NUT 1/2-13 HEX FLG NYLOC
12..	575 230402....	1	.... SHIELD, MUFFLER	38..	539 109554....	2	.... WASHER 1/2 FLAT ZD
13..	505 256401....	2	.... STOP, DECK	39..	539 105517....	2	.... HCS 1/2-13 x 9 1/2
14..	539 104411....	1	.... KNOB w/ STUD	40..	575 348701....	2	.... TIRE ASSM
15..	539 102335....	3	.... HCS 5/16-18 x 4	41..	539 101173....	8	.... NUT, LUG
16..	539 990188....	10	.... WASHER 5/16 SAE FLAT	42..	575 245202....	2	.... BRACKET, DAMPENER
17..	539 112899....	15	.... NUT 5/16-18 FLANGE NYLOC	43..	539 109117....	2	.... BOLT, RD HD 3/8-16 x 3/4
18..	539 990316....	6	.... BOLT, RD HD 5/16-18 x 3/4	44..	525 544001....	1	.... HHFS 5/16-18 x 1 1/4 TPBLT
19..	539 107475....	14	.... BOLT 5/16-18 x 3/4 THD FRM	45..	539 105307....	4	.... CAGE BEARING 3/4
20..	539 104763....	8	.... RETAINER, U TYPE 5/16-18	46..	539 103300....	2	.... ZERK
21..	539 200282....	6	.... NUT 3/8-16 HEX JAM NYLOC	47..	575 622201....	2	.... TIRE, CASTER
22..	539 131781....	2	.... SCREW, HX FLG 3/8-16 x 2 3/4	48..	575 622101....	2	.... RIM, CASTER TIRE
23..	539 133006....	4	.... SCREW, HX FLG 3/8-16 x 2 1/2	49..	539 102484....	4	.... BEARING, FLANGE
24..	539 102587....	5	.... GROMMET, BUMPER	50..	539 912234....	4	.... VALVE
25..	539 990208....	3	.... BOLT, RD HD 5/16-18 x 1	51..	539 105487....	2	.... RIM
26..	525 464701....	4	.... HHFS 5/16-18 x 3/4	52..	539 107431....	2	.... TIRE

# ENGINE PLATE

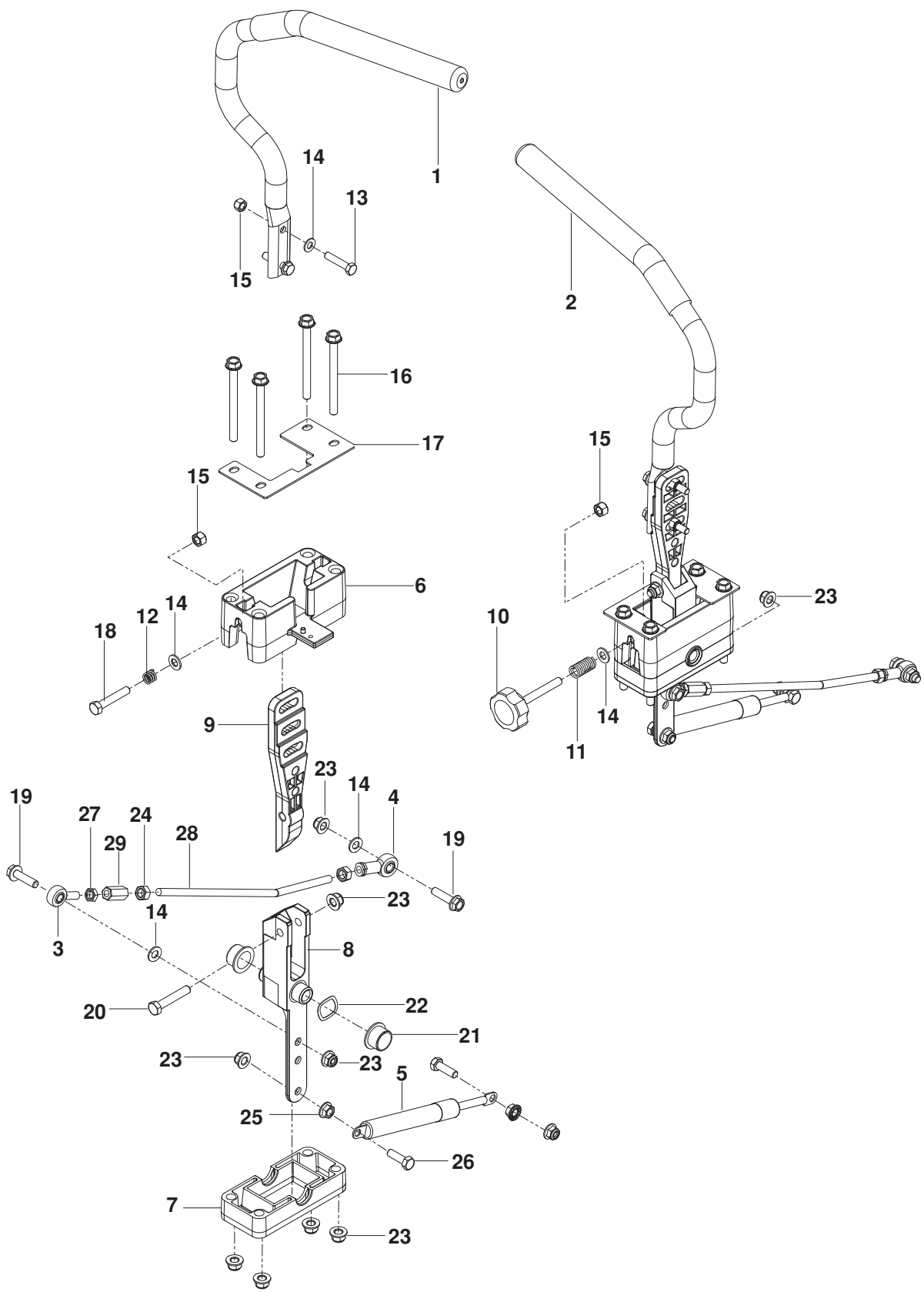


# ENGINE PLATE

---

ITEM	PART NO.	QTY.	DESCRIPTION	ITEM	PART NO.	QTY.	DESCRIPTION
1..	575 608801....	1	.... PLATE, ENGINE w/ DECAL	28..	539 990302....	2	.... SCREW ¼-20 x 8 THD FRM
2..	574 811001....	1	.... PULLEY, V 1 1/8 BORE	29..	539 108120....	4	.... NUT ¼-20 HEX THIN NYLOC
3..	574 846402....	1	.... PLATE, IDLER SUPPORT	30..	539 101362....	1	.... HOSE-DRAIN
4..	525 435601....	1	.... PIVOT, IDLER	31..	539 101363....	1	.... CLAMP
5..	539 976688....	1	.... PULLEY, IDLER	32..	539 101364....	1	.... PLUG-OIL
6..	510 041603....	1	.... ARM, IDLER w/ BEARINGS	33..	539 990071....	1	.... HCS ¼-20 x 2
7..	574 607001....	1	.... CLUTCH, 200 FT-LB	34..	539 990188....	2	.... WASHER 5/16 SAE FLAT
8..	539 104763....	4	.... RETAINER, U TYPE 5/16-18	35..	532 120616....	4	.... HHFS 3/8-16 x 1 THD FRM
9..	539 111897....	1	.... WASHER, SPECIAL	36..	539 991120....	1	.... HCS 7/16-20 x 2 1/2
10..	510 254401....	1	.... SPRING, PUMP	37..	539 990247....	1	.... WASHER 7/16 SLW
11..	510 254501....	2	.... SHIELD, DUST	38..	539 912757....	1	.... KEY ¼ SQ x 1 ¼
12..	525 866201....	1	.... HHFS 3/8-16 x 2	39..	574 870901....	1	.... BELT
13..	521 996501....	2	.... NUT 3/8-16 HEX FLG NYLOC	40..	539 107620....	1	.... PULLEY, IDLER SECONDARY
14..	525 464701..	11	.... HHFS 5/16-18 x 3/4	41..	539 102759....	3	.... INSULATOR
15..	539 112899..	15	.... NUT 5/16-18 HEX FLG NYLOC	42..	539 990053....	2	.... WASHER ¼ INT TOOTH LK
16..	539 990209....	2	.... HCS 5/16-18 x 1	43..	510 206301....	1	.... PIVOT, BEARING
17..	539 100413....	1	.... RHSNB 3/8-16 x 1 ¼	44..	539 130235....	1	.... RHSNB 3/8-16 x 2 3/4
18..	539 990613....	1	.... NUT 3/8-16 HEX WHIZLK	45..	539 114662....	1	.... SHIELD, DUST
19..	539 200282....	4	.... NUT 3/8-16 HEX JAM NYLOC	46..	539 115528....	1	.... WASHER ½" BELLEVILLE
20..	575 017302....	1	.... STOP, CLUTCH	47..	521 991101....	1	.... NUT ½-13 HEX FLG NYLOC
21..	532 159955....	1	.... EXHAUST TUBE, RT	48..	539 109554....	2	.... WASHER ½ FLAT ZD
22..	532 160589....	1	.... EXHAUST TUBE, LT	49..	539 103433....	1	.... HCS ½-13 x 3 ¼
23..	539 131604....	1	.... MUFFLER ASM TWIN	50..	539 109562....	1	.... WASHER 3/8 x 3/4
24..	575 229902....	1	.... BRKT, MUFFLER, BLK	NOT SHOWN			
25..	539 107271....	2	.... RHSSNB 5/16-18 x 1	539 102757 ...	1	.... CABLE, POSITIVE	
26..	539 107475....	2	.... BOLT 5/16-18 x 3/4 THD FRM	539 107516 ...	1	.... KOHLER CV490S PIGTAIL	
27..	539 101714....	1	.... SOLENOID	575 262002 ...	1	.... HEAT SHIELD (Optional)	

# STEERING

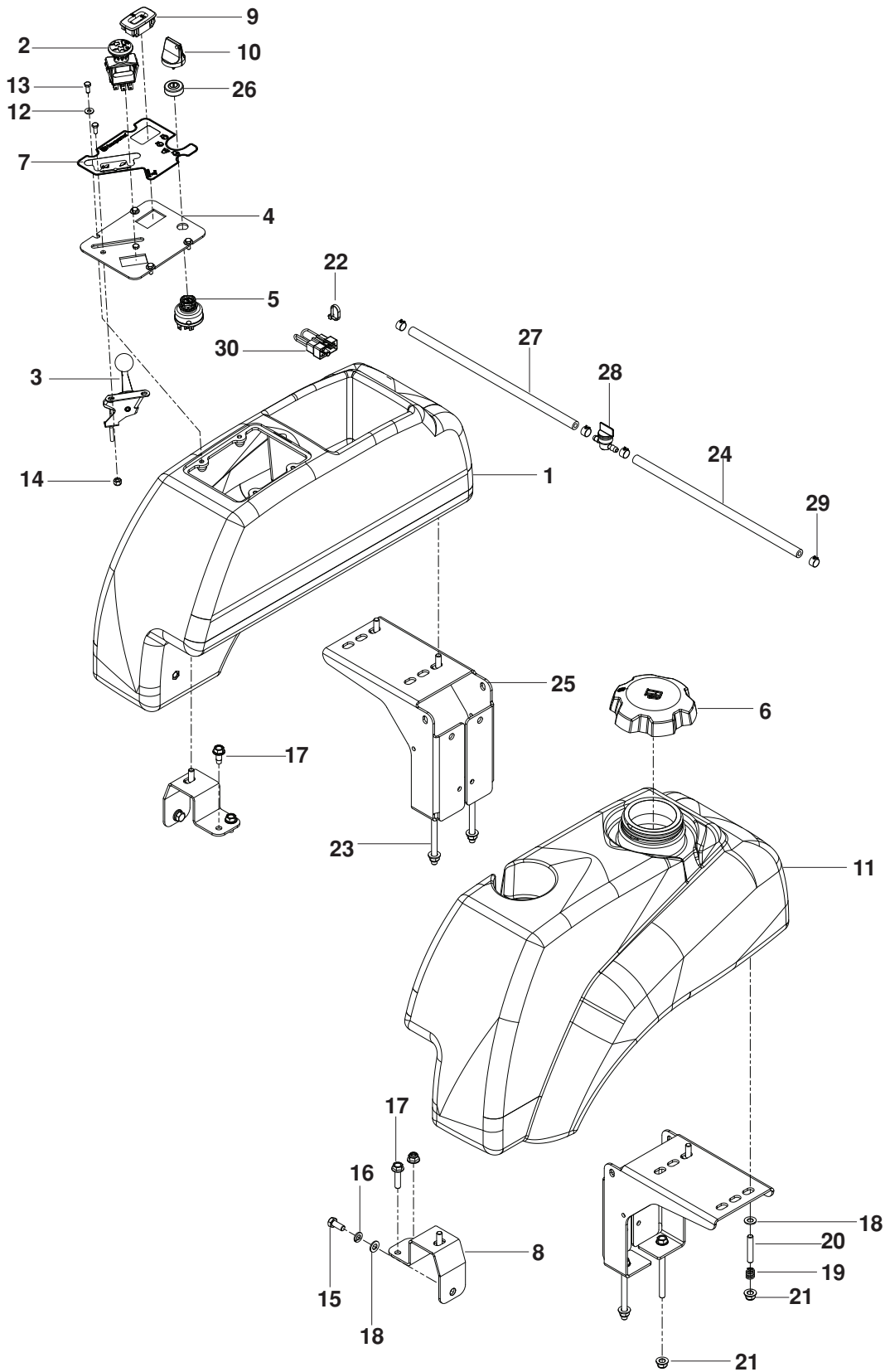


# STEERING

---

ITEM	PART NO.	QTY.	DESCRIPTION	ITEM	PART NO.	QTY.	DESCRIPTION
1..	539 132009....	1	.... LEVER, DRIVE w/ GRIP RT	16..	539 131780....	8	.... SCREW, HX FLG $\frac{5}{16}$ -18 x $3\frac{3}{4}$
2..	539 132010....	1	.... LEVER, DRIVE w/ GRIP LT	17..	575 230002....	2	.... PLATE, NEUTRAL STOP
3..	539 116690....	2	.... ROD END LH	18..	539 108394....	1	.... BOLT $\frac{5}{16}$ -18 x $1\frac{3}{4}$ TPBLT
4..	539 115729....	2	.... ROD END RH	19..	525 544001....	4	.... HHFS $\frac{5}{16}$ -18 x $1\frac{1}{4}$ TPBLT
5..	539 102720....	2	.... DAMPENER	20..	539 990669....	2	.... BOLT, HEX $\frac{5}{16}$ -18 x $1\frac{3}{4}$
6..	539 131517....	2	.... BLOCK, UPPER	21..	539 131518....	4	.... BEARING, FLANGE
7..	539 131519....	2	.... BLOCK, LOWER	22..	539 133007....	2	.... WASHER .825, WAVE
8..	522 452901....	2	.... PIVOT SECTION, DR CNTRL	23..	539 112899..	16	.... NUT $\frac{5}{16}$ -18 FLANGE NYLOC
9..	539 131521....	2	.... MOUNT, DR CNTRL HANDLE	24..	539 990223....	4	.... NUT $\frac{5}{16}$ -24 HEX
10..	539 131799....	1	.... KNOB	25..	539 990585....	4	.... NUT $\frac{5}{16}$ -18 HEX WHIZLK
11..	539 101224....	1	.... SPRING	26..	539 990209....	2	.... BOLT, HEX $\frac{5}{16}$ -18 x 1
12..	539 102845....	1	.... SPRING	27..	539 991073....	2	.... NUT $\frac{5}{16}$ -24 HEX JAM LH
13..	539 976935....	4	.... BOLT, HEX $\frac{5}{16}$ -18 x $1\frac{1}{2}$	28..	574 811401....	2	.... ROD, MOTION CONTROL
14..	539 990188..	10	.... WASHER $\frac{5}{16}$ SAE FLAT	29..	539 116689....	2	.... COUPLER, ROD END
15..	539 990717....	6	.... NUT $\frac{5}{16}$ -18 HEX NYLOC				

# IGNITION SYSTEM



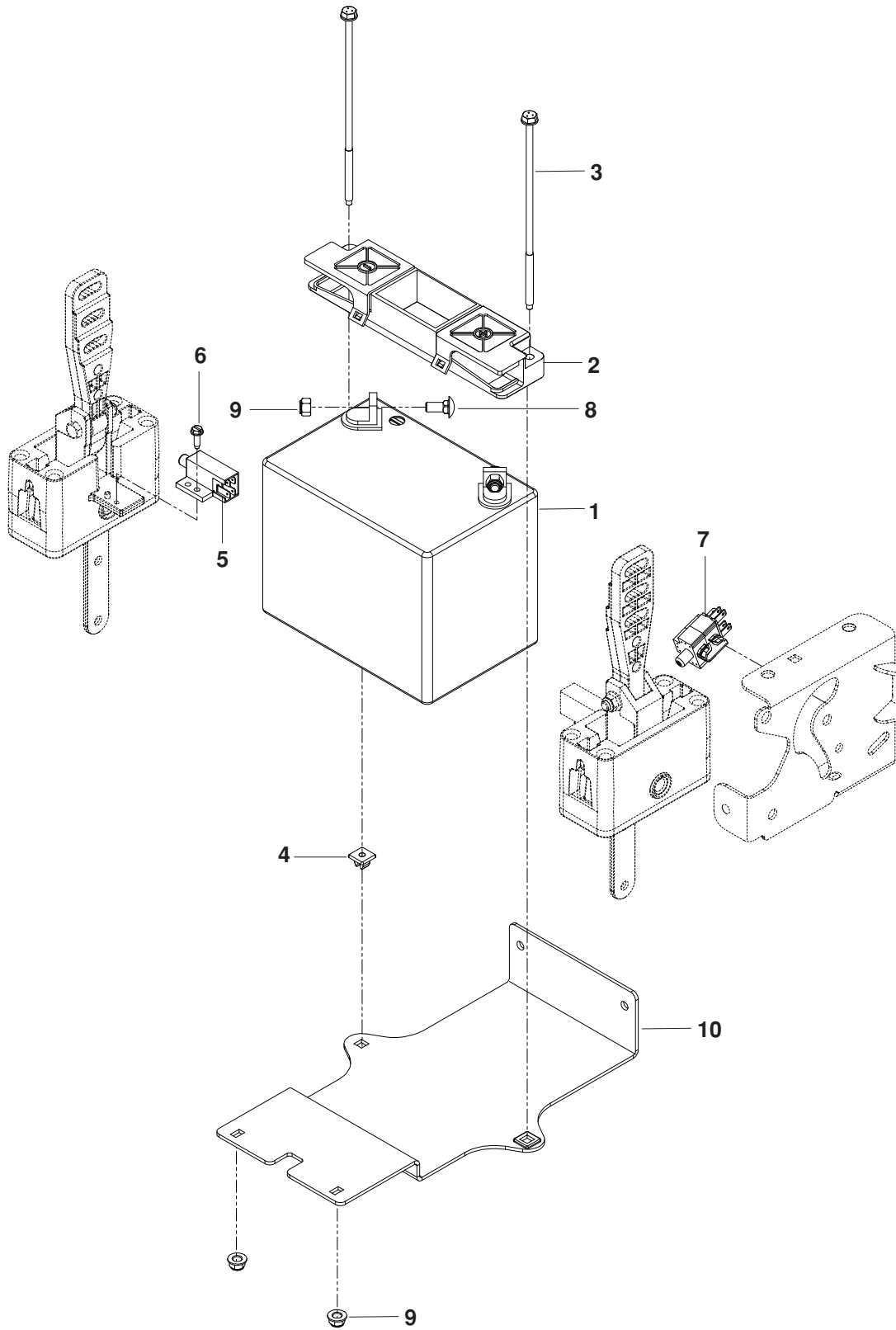
# IGNITION SYSTEM

---

ITEM	PART NO.	QTY.	DESCRIPTION	ITEM	PART NO.	QTY.	DESCRIPTION
1..	539 107593....	1	.... CONSOLE	16..	539 990187....	2	.... WASHER <sup>5</sup> / <sub>16</sub> SLW
2..	539 131627....	1	.... SWITCH, PTO 10 AMP	17..	539 113226....	1	.... BOLT <sup>5</sup> / <sub>16</sub> -18 x 1, THD FRM
3..	539 112438....	1	.... CABLE, THROTTLE	18..	539 990188....	8	.... WASHER <sup>5</sup> / <sub>16</sub> SAE FLAT
4..	574 841202....	1	.... CONSOLE PLATE	19..	539 102845....	6	.... SPRING
5..	574 455401....	1	.... SWITCH, IGNITION	20..	539 102502....	6	.... STUD <sup>5</sup> / <sub>16</sub>
6..	539 130393....	1	.... CAP, FUEL	21..	539 112899..	11	.... NUT <sup>5</sup> / <sub>16</sub> -18 FLANGE NYLOC
7..	574 841101....	1	.... DECAL, CONSOLE	22..	539 976856....	2	.... TIE, PLASTIC
8..	539 131671....	2	.... SUPPORT, TANK	23..	539 131780....	4	.... HHFS <sup>5</sup> / <sub>16</sub> -18 x 3 <sup>3</sup> / <sub>4</sub>
9..	539 110074....	1	.... HOUR METER	24..	539 105526....	1	.... FUEL LINE 18"
10..	574 455501....	1	.... KEY, IGNITION	25..	575 533602....	2	.... MOUNT, TANK
11..	539 104409....	1	.... TANK, FUEL	26..	539 103178....	1	.... CAP, IGNITION SWITCH
12..	539 105408....	4	.... WASHER #10 FLAT	27..	539 108212....	1	.... FUEL LINE 13"
13..	539 990411....	6	.... SCREW #10-24 x 1/2 SLT HEX	28..	539 916325....	1	.... VALVE, FUEL
14..	539 976977....	2	.... NUT #10-24 HEX NYLOC	29..	539 912222....	4	.... CLAMP, HOSE
15..	539 976934....	2	.... BOLT, HEX <sup>5</sup> / <sub>16</sub> -18 x 3/4	30..	575 321001....	1	.... PLUG, TIMER



# ELECTRICAL

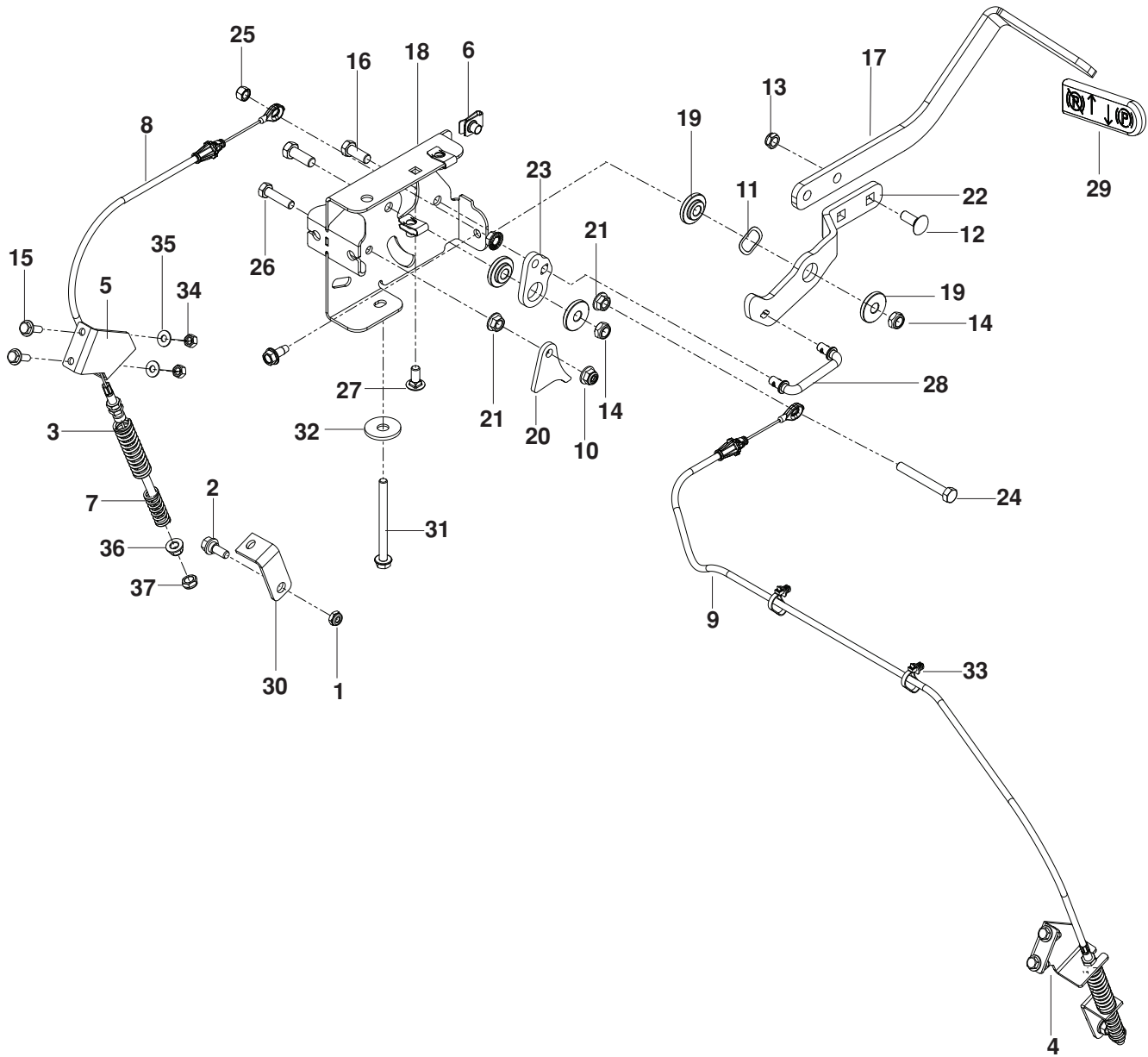


# ELECTRICAL

---

ITEM	PART NO.	QTY.	DESCRIPTION	ITEM	PART NO.	QTY.	DESCRIPTION
1..	539 102436....	1 ....	BATTERY	8..	539 990316....	2 ....	BOLT, $\frac{5}{16}$ -18 x $\frac{3}{4}$
2..	539 107628....	1 ....	BATTERY HOLD DOWN	9..	539 112899....	4 ....	NUT $\frac{5}{16}$ -18 FLANGE NYLOC
3..	539 107632....	2 ....	BOLT, $\frac{1}{4}$ x $7\frac{1}{2}$	10..	575 017202....	1 ....	PLATE, BATTERY
4..	539 107629....	2 ....	NUT $\frac{1}{4}$ PUSH, NYLON				NOT SHOWN
5..	539 101080....	2 ....	SWITCH, INTERLOCK		539 104974 ...	1 ....	POSITIVE CABLE
6..	539 991034....	2 ....	SCREW #10-24 x $\frac{5}{8}$ WSH HD		539 107645 ...	1 ....	NEGATIVE CABLE
7..	539 113792....	1 ....	SWITCH, BRAKE		575 320901 ...	1 ....	MAIN HARNESS

# PARKING BRAKE

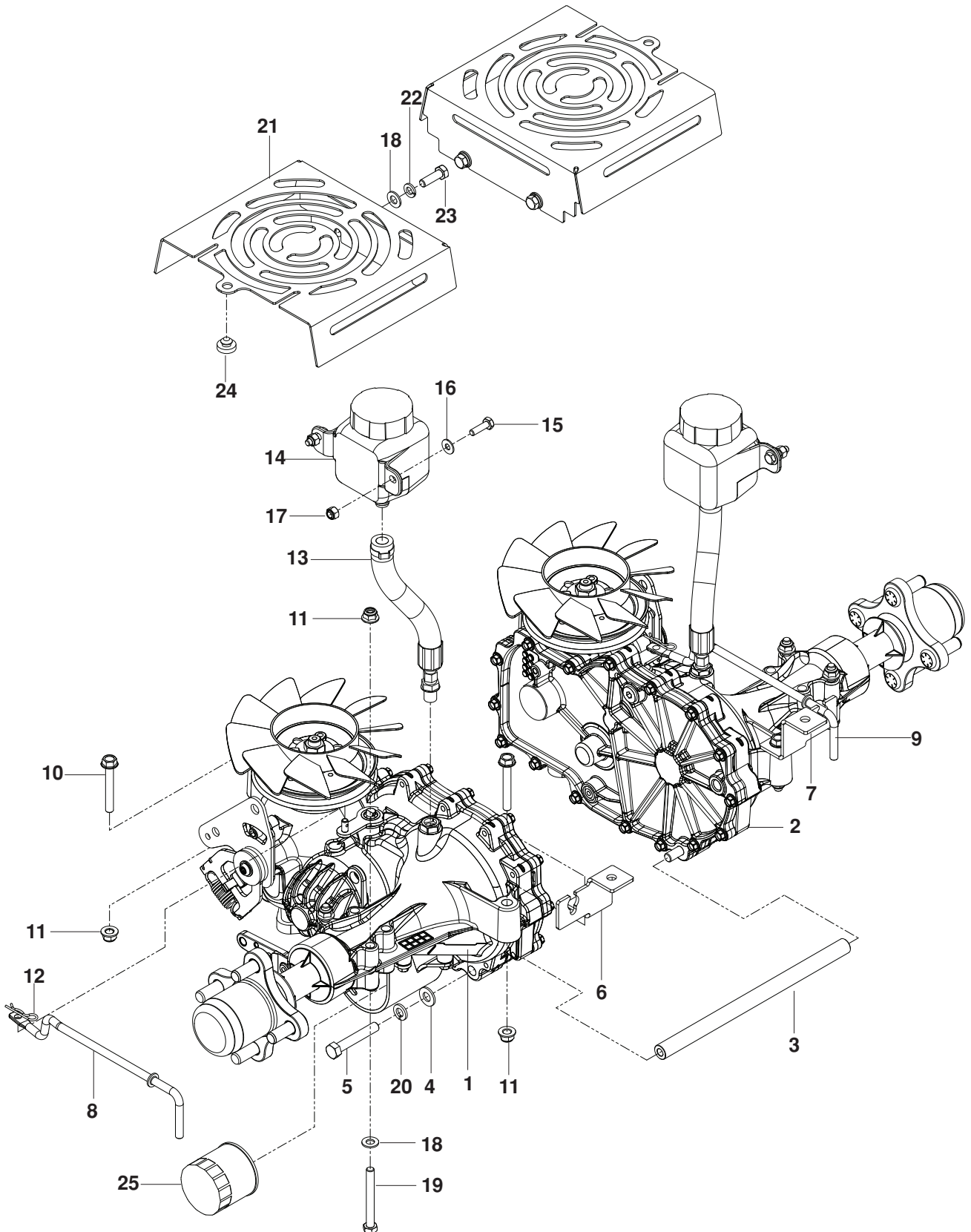


# PARKING BRAKE

---

ITEM	PART NO.	QTY.	DESCRIPTION	ITEM	PART NO.	QTY.	DESCRIPTION
1..	539 115617....	2	NUT <sup>5</sup> / <sub>16</sub> HEX NYLOC	20..	539 132154....	1	ACTUATOR, SWITCH
2..	539 110303....	2	BOLT <sup>5</sup> / <sub>16</sub> SHOLDER	21..	539 990585....	3	NUT <sup>5</sup> / <sub>16</sub> -18 HEX WHIZLK
3..	575 230201....	2	SPRING, RETURN	22..	539 132423....	1	LEVER, BRAKE
4..	575 229602....	1	BRACKET, RT	23..	539 132153....	1	BELLCRANK, BRAKE
5..	575 229702....	1	BRACKET, LT	24..	539 108396....	1	BOLT, HEX <sup>5</sup> / <sub>16</sub> -18 x 2 <sup>1</sup> / <sub>2</sub> TPBLT
6..	539 104763....	3	RETAINER, U TYPE <sup>5</sup> / <sub>16</sub> -18	25..	539 990717....	1	NUT <sup>5</sup> / <sub>16</sub> -18 HEX NYLOC
7..	575 230301....	2	SPRING, ENGAGEMENT	26..	539 990209....	1	BOLT, HEX <sup>5</sup> / <sub>16</sub> -18 x 1
8..	539 132173....	1	CABLE, BRAKE, SHORT	27..	539 990316....	1	BOLT, RD HD <sup>5</sup> / <sub>16</sub> -18 x <sup>3</sup> / <sub>4</sub>
9..	539 132174....	2	CABLE, BRAKE, LONG	28..	539 132424....	1	LINKAGE, BRAKE
10..	539 112899....	2	NUT <sup>5</sup> / <sub>16</sub> -18 FLANGE NYLOC	29..	539 105036....	1	GRIP, BRAKE HANDLE
11..	539 133007....	2	WASHER .825 WAVE	30..	575 229802....	2	BRACKET, BRAKE
12..	539 990645....	2	BOLT, RD HD <sup>3</sup> / <sub>8</sub> -16 x 1	31..	539 131780....	1	HHFS <sup>5</sup> / <sub>16</sub> -18 x 3 <sup>3</sup> / <sub>4</sub>
13..	521 996501....	2	NUT <sup>3</sup> / <sub>8</sub> -16 HEX FLG NYLOC	32..	539 109554....	1	WASHER <sup>1</sup> / <sub>2</sub> FLAT
14..	539 200282....	2	NUT <sup>3</sup> / <sub>8</sub> -16 HEX JAM NYLOC	33..	505 280001....	2	TIE, w/ CLIP
15..	539 990643....	4	HCS <sup>1</sup> / <sub>4</sub> -20 x <sup>7</sup> / <sub>8</sub>	34..	539 976978....	4	NUT <sup>1</sup> / <sub>4</sub> -20 HEX NYLOC
16..	539 990563....	2	BOLT, HEX <sup>3</sup> / <sub>8</sub> -16 x 1	35..	539 990055....	4	WASHER <sup>1</sup> / <sub>4</sub> FLAT SAE
17..	539 132151....	1	ARM, BRAKE	36..	539 990585....	2	NUT <sup>5</sup> / <sub>16</sub> -18, WHIZLK
18..	539 132158....	1	MOUNT, BRAKE	37..	539 107897....	2	NUT <sup>5</sup> / <sub>16</sub> -18, JAM
19..	539 132161....	4	BUSHING, BRAKE				

# HYDRAULIC PUMP-MOTOR

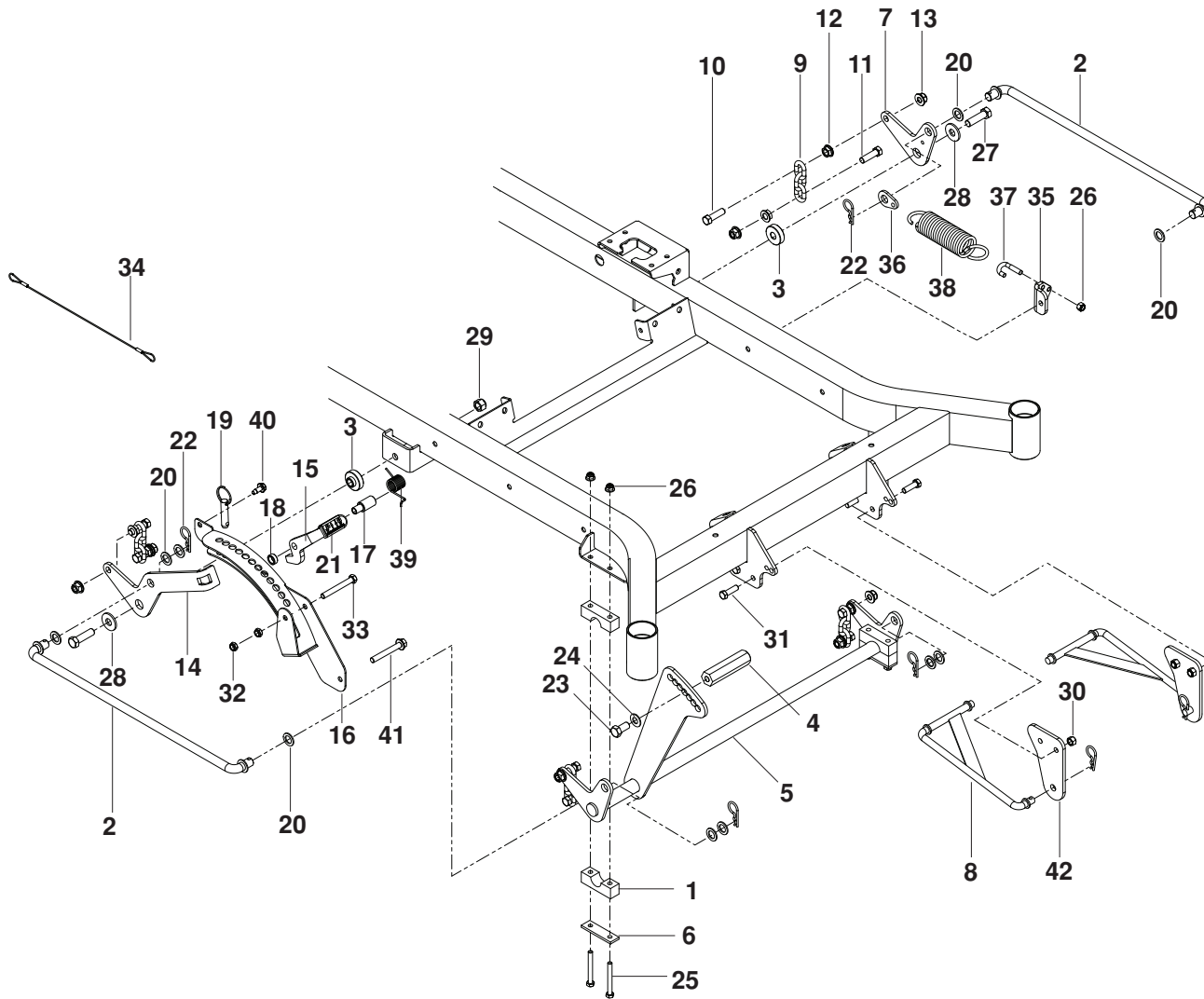


# HYDRAULIC PUMP-MOTOR

---

ITEM	PART NO.	QTY.	DESCRIPTION	ITEM	PART NO.	QTY.	DESCRIPTION
1..	574 569101....	1	.... TRANS, ZT-3400, LT	14..	574 811301....	2	.... TANK, EXPANSION
2..	574 569102....	1	.... TRANS, ZT-3400, RT	15..	539 990643....	4	.... HCS ¼-20 x 7/8
3..	574 868501....	1	.... TUBE, SPACER, 3400	16..	539 990055....	4	.... WASHER ¼ FLAT SAE
4..	539 990122....	2	.... WASHER, 3/8 SAE FLT	17..	539 976978....	4	.... NUT ¼-20 HEX NYLOC
5..	539 108551....	2	.... HCS 3/8-16 x 2½ GR8	18..	539 990188....	8	.... WASHER 5/16 SAE FLAT
6..	575 017102....	1	.... BRACKET, TRANS, LT	19..	539 101721....	4	.... HCS 5/16-18 x 2¾
7..	575 017002....	1	.... BRACKET, TRANS, RT	20..	539 990118....	2	.... WASHER 3/8 SPLT LK
8..	539 131616....	1	.... LINKAGE, LEFT BYPASS	21..	575 778202....	2	.... COVER, FAN
9..	539 131618....	1	.... LINKAGE, RIGHT BYPASS	22..	539 990187....	4	.... WASHER 5/16 SLW
10..	574 233801....	4	.... HHFS 5/16-18 x 2¼	23..	539 990209....	4	.... HCS 5/16-18 x 1
11..	539 112899....	8	.... NUT 5/16-18 HEX FLG NYLOC	24..	539 102587....	2	.... BUMPER
12..	539 976988....	2	.... HAIRPIN COTTER	25..	539 113466....	2	.... FILTER, HYDRO
13..	574 892101....	2	.... HOSE, EXPANSION				

# MOWER LIFT / DECK LIFT



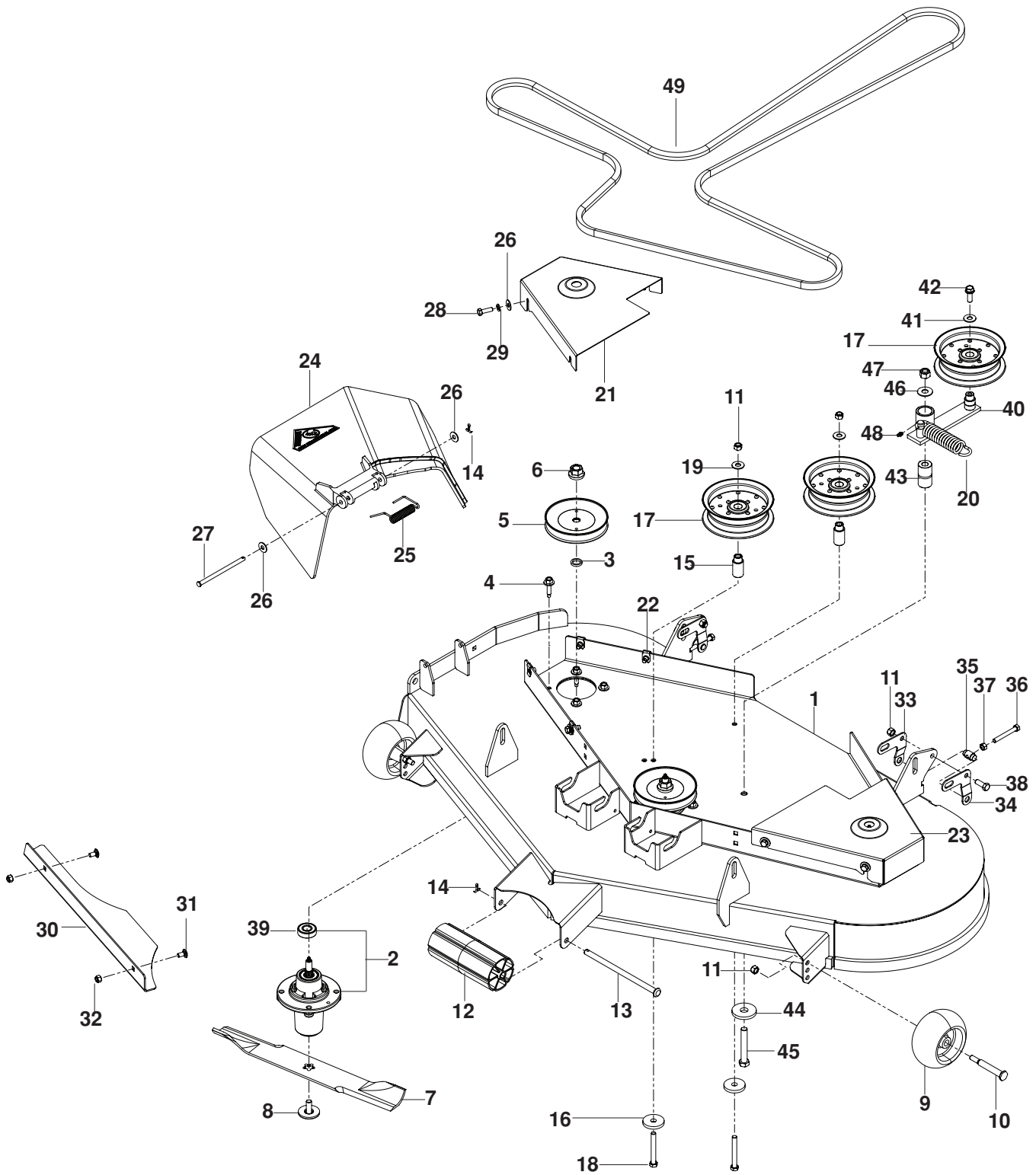
# MOWER LIFT / DECK LIFT

---

ITEM	PART NO.	QTY.	DESCRIPTION	ITEM	PART NO.	QTY.	DESCRIPTION
1..	539 104808....	4	....PILLOW BLOCK	22..	539 115501....	6	.... PIN, COTTER 1 $\frac{3}{4}$
2..	539 110808....	2	....DECK LIFT LINK	23..	539 990646....	1	.... BOLT, HEX $\frac{1}{2}$ -13 x 1 $\frac{3}{4}$
3..	539 118937....	2	.... SPACER, IDLER	24..	539 102843....	1	.... WASHER $\frac{7}{16}$ " SPRING
4..	539 131556....	1	....PEDAL, FOOT, HEX	25..	539 101721....	4	.... BOLT, HEX $\frac{5}{16}$ -18 x 2 $\frac{3}{4}$
5..	539 131509....	1	.... SHAFT, FRONT-LIFT	26..	539 112899....	5	.... NUT $\frac{5}{16}$ -18 FLANGE NYLOC
6..	539 104807....	2	.... REINFORCEMENT BAR	27..	539 108181....	2	.... BOLT, HEX $\frac{1}{2}$ -13 x 1 $\frac{3}{4}$ GR 8
7..	539 131897....	1	.... BELLCRANK, RR, LIFT	28..	539 109554....	2	.... WASHER $\frac{1}{2}$ FLAT
8..	539 112223....	2	.... STRUT LINKAGE	29..	539 101331....	2	.... NUT $\frac{1}{2}$ HEX NYLOC
9..	539 109693....	4	.... LIFT CHAIN-3 LINK	30..	539 976979....	4	.... NUT $\frac{3}{8}$ -16 HEX NYLOC
10..	539 101175....	4	.... BOLT, HEX $\frac{7}{16}$ -14 x 1 $\frac{1}{2}$	31..	539 976941....	4	.... BOLT, HEX $\frac{5}{16}$ -18 x 1 THD FM
11..	539 108073....	4	.... BOLT, HEX $\frac{7}{16}$ -14 x 1 $\frac{3}{4}$	32..	539 200282....	2	.... NUT $\frac{3}{8}$ -16 HEX JAM NYLOC
12..	539 102582....	8	.... NUT $\frac{7}{16}$ -14 HEX WHIZ LK	33..	539 101341....	1	.... BOLT, HEX $\frac{3}{8}$ -16 x 3
13..	539 132019....	8	.... NUT $\frac{7}{16}$ -14 HEX WHIZ LK	34..	539 105059....	1	.... LANYARD
14..	539 131853....	1	.... BELLCRANK, RR, RT	35..	539 131791....	1	.... MOUNT, SPRING
15..	539 131566....	1	.... LATCH, TRANSPORT	36..	539 131792....	1	.... TAB, SPRING
16..	539 131850....	1	.... HEIGHT, ADJUST, DECK	37..	539 112896....	1	.... J-BOLT
17..	539 131860....	1	.... PIVOT, LATCH, TRANSPORT	38..	539 102642....	1	.... SPRING
18..	539 131861....	1	.... SPACER	39..	539 132734....	1	.... SPRING, TORSION
19..	539 132182....	1	.... PIN $\frac{1}{2}$ x 1 $\frac{1}{2}$ DETENT RING	40..	539 107475....	1	.... BOLT $\frac{5}{16}$ -18 x $\frac{3}{4}$ THD FRM
20..	539 991043..	10	.... BUSHING .625	41..	539 131781....	1	.... SCREW, HX FLG $\frac{3}{8}$ -16 x 2 $\frac{3}{4}$
21..	539 132851....	1	.... GRIP	42..	539 132017....	2	.... MOUNT, STRUT



# 52 INCH DECK

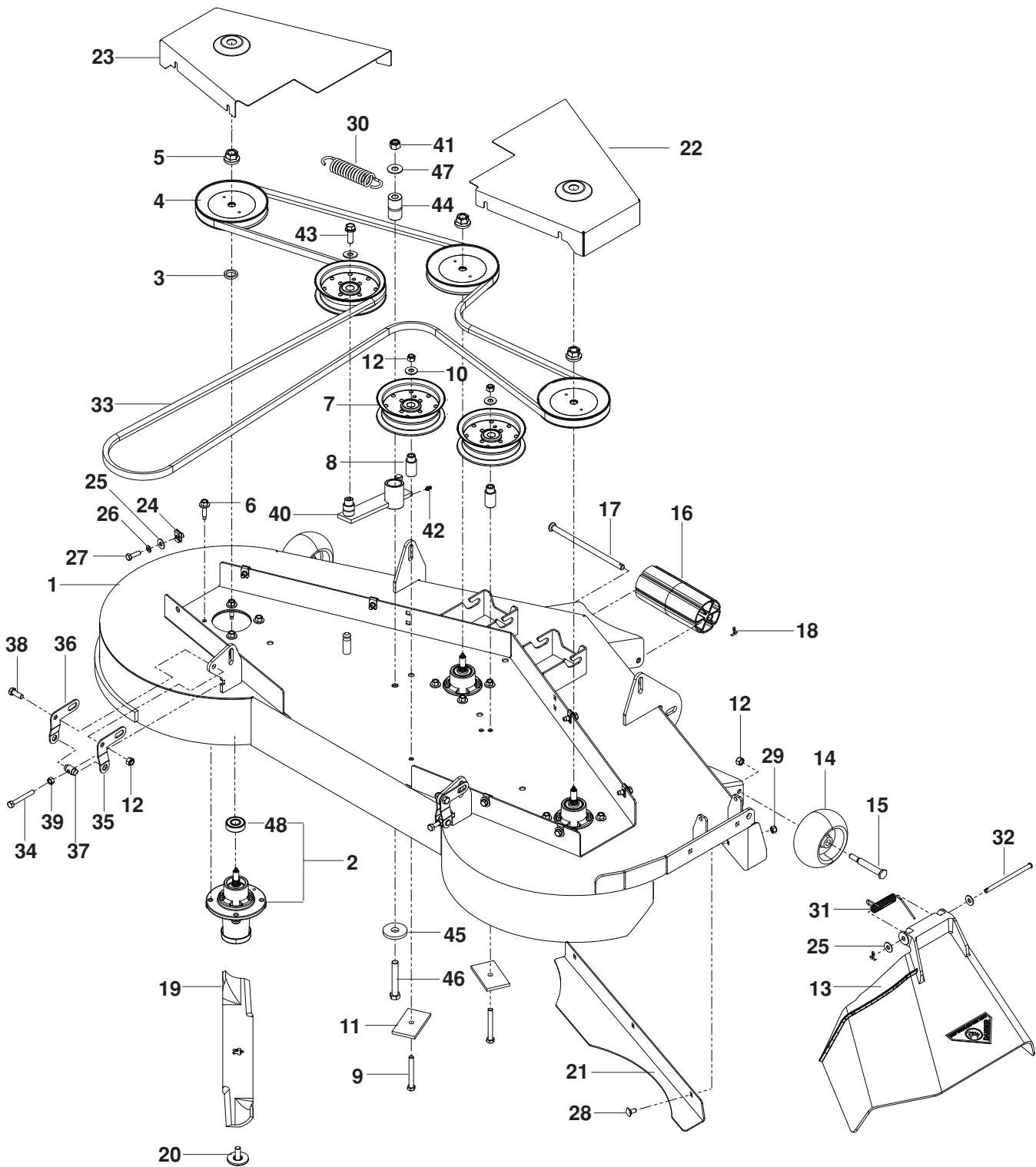


## 52 INCH DECK

---

ITEM	PART NO.	QTY.	DESCRIPTION	ITEM	PART NO.	QTY.	DESCRIPTION
1..	539 132746....	1	.... DECK W/DECALS	26..	539 990692..	10	.... WASHER, $\frac{5}{16}$ FLAT
2..	539 112170....	3	.... HOUSING ASSEMBLY	27..	539 110736....	1	.... PIN, CLEVIS $\frac{5}{16}$ x 5.19
3..	539 107520....	3	.... WASHER-SPACER	28..	539 990209....	8	.... HCS $\frac{5}{16}$ -18 x 1
4..	539 107630..	12	.... SCREW, WASHER HEAD	29..	539 990187....	8	.... WASHER $\frac{5}{16}$ , SLW
5..	539 112171....	3	.... PULLEY	30..	539 112417....	1	.... CONFINEMENT PLATE
6..	539 107590....	3	.... NUT, $\frac{9}{16}$ TOP CENTER LOCK	31..	539 990799....	2	.... RHSNB $\frac{5}{16}$ -18 x $\frac{5}{8}$
7..	539 112079....	3	.... BLADE, 18" - EZ	32..	539 990717....	2	.... NUT $\frac{5}{16}$ -18, NYLOC
8..	539 107522....	3	.... BOLT, $\frac{7}{16}$ , ASSY BLADE	33..	539 131857....	2	.... PITCH, ADJUST, RT
9..	539 107610....	2	.... WHEEL, GAUGE	34..	539 131858....	2	.... PITCH, ADJUST, LT
10..	539 107608....	2	.... BOLT, SHOULDER	35..	539 131859....	2	.... TRUNION, PITCH
11..	539 976979....	6	.... NUT $\frac{3}{8}$ -16, NYLOC	36..	539 108396....	2	.... HCS $\frac{5}{16}$ -18 x 2 $\frac{1}{2}$ , TPBLT
12..	532 176066....	1	.... ROLLER, NOSE, 48"	37..	539 990196....	2	.... NUT $\frac{5}{16}$ -18
13..	532 179127....	1	.... ROD, ROLLER, NOSE	38..	539 990563....	2	.... HCS $\frac{3}{8}$ -16 x 1
14..	539 990365....	2	.... PIN, COTTER $\frac{1}{8}$ x $\frac{3}{4}$	39..	539 112050....	3	.... BALL BEARING
15..	539 112169....	2	.... IDLER BUSHING	40..	539 112198....	1	.... IDLER ARM
16..	539 106504....	2	.... HEAVY WASHER	41..	539 990517....	3	.... WASHER, $\frac{3}{8}$
17..	539 132728....	3	.... PULLEY, IDLER	42..	539 990582....	1	.... HCS $\frac{3}{8}$ -16 x 1, WHIZLK
18..	539 101341....	2	.... HCS $\frac{3}{8}$ -16 x 3	43..	539 103427....	1	.... PIVOT BUSHING
19..	539 990517....	2	.... WASHER, $\frac{3}{8}$ FLAT	44..	539 102243....	1	.... SUPPORT WASHER
20..	539 103256....	1	.... SPRING	45..	539 103433....	1	.... HCS $\frac{1}{2}$ -13 x 3 $\frac{1}{4}$
21..	539 112242....	1	.... BELT SHIELD RH	46..	539 990550....	1	.... WASHER, $\frac{1}{2}$
22..	539 104763....	8	.... U TYPE RETAINER $\frac{5}{16}$ -18	47..	539 101331....	1	.... NUT $\frac{1}{2}$ , NYLOC
23..	539 112244....	1	.... BELT SHIELD LH	48..	539 976998....	1	.... ZERK
24..	539 110733....	1	.... DISCHARGE CHUTE	49..	522 811301....	1	.... BELT
25..	539 110735....	1	.... SPRING, TORSION				

# 61 INCH DECK

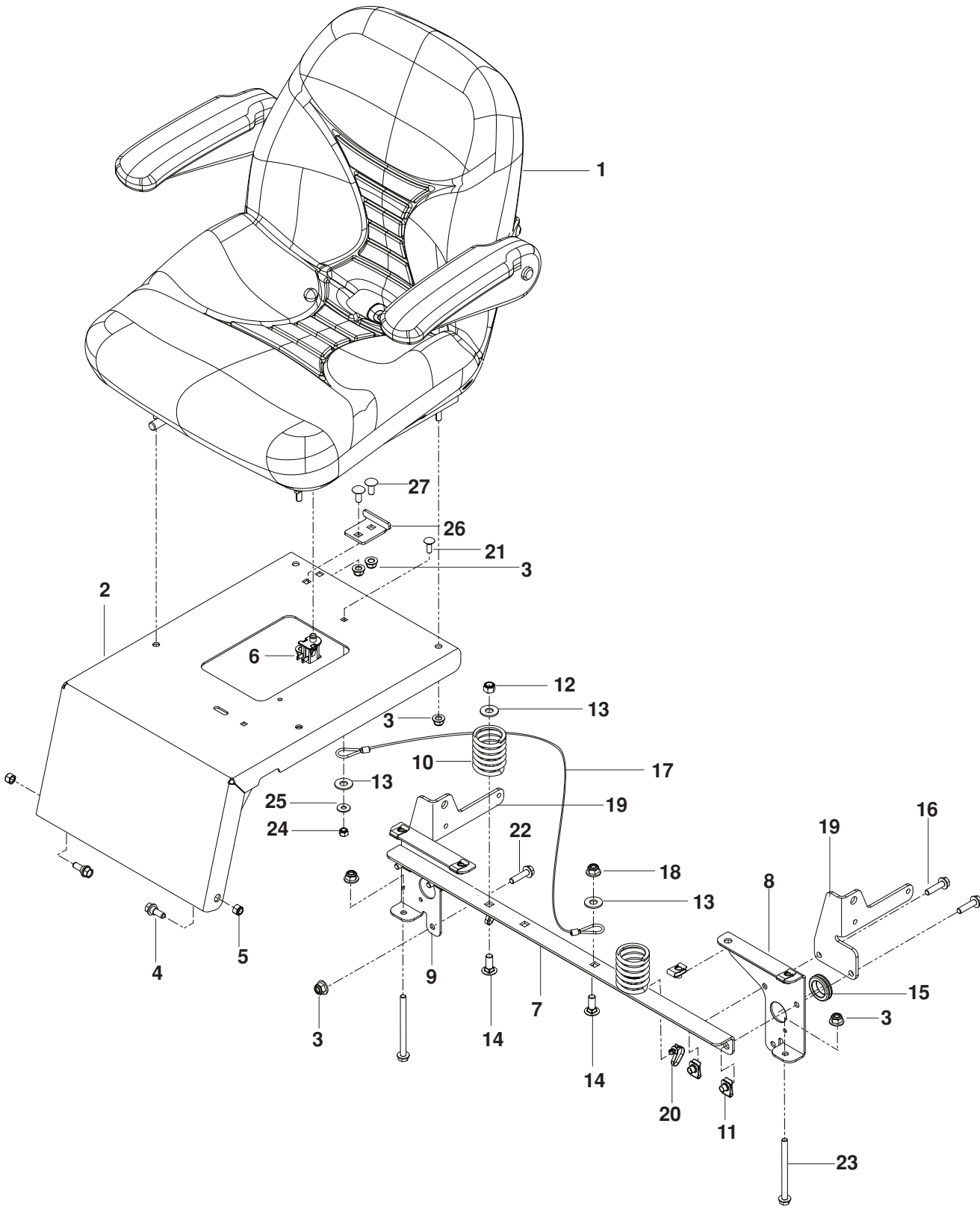


# 61 INCH DECK

---

ITEM	PART NO.	QTY.	DESCRIPTION	ITEM	PART NO.	QTY.	DESCRIPTION
1..	539 132747....	1	DECK w/ SAFETY DECALS	25..	539 990692..	10	WASHER <sup>5</sup> / <sub>16</sub> STD FLT
2..	539 112170....	3	HOUSING ASSEMBLY	26..	539 109600....	8	WASHER <sup>5</sup> / <sub>16</sub> SPRING
3..	539 107520....	3	WASHER-SPACER	27..	539 976934....	8	HCS, <sup>5</sup> / <sub>16</sub> -18 x <sup>3</sup> / <sub>4</sub>
4..	539 113300....	3	PULLEY	28..	539 990799....	3	BOLT, RD HD <sup>5</sup> / <sub>16</sub> -18 x <sup>5</sup> / <sub>8</sub>
5..	539 107590....	3	NUT <sup>9</sup> / <sub>16</sub> TOP CENTER LOCK	29..	539 990717....	3	NUT <sup>5</sup> / <sub>16</sub> -18 HEX NYLOC
6..	539 107630..	12	SCREW, WASHER HEAD	30..	539 103256....	1	SPRING
7..	539 132728....	3	PULLEY, IDLER	31..	539 110735....	1	SPRING, TORSION
8..	539 112169....	2	IDLER BUSHING	32..	539 110736....	1	PIN, CLEVIS <sup>5</sup> / <sub>16</sub>
9..	539 101341....	2	BOLT, HEX <sup>3</sup> / <sub>8</sub> -16 x 3	33..	539 104335....	1	BELT, DECK
10..	539 990517....	2	WASHER <sup>3</sup> / <sub>8</sub> FLAT STD	34..	539 108396....	2	BOLT, HEX <sup>5</sup> / <sub>16</sub> -18 x 2 <sup>1</sup> / <sub>2</sub> TPBLT
11..	539 103303....	2	PAD	35..	539 131857....	2	PITCH, ADJUST, RT
12..	539 976979....	6	NUT <sup>3</sup> / <sub>8</sub> -16 HEX NYLOC	36..	539 131858....	2	PITCH, ADJUST, LT
13..	539 110734....	1	DISCHARGE CHUTE, 61"	37..	539 131859....	2	TRUNION, PITCH
14..	539 107610....	2	WHEEL, GAUGE	38..	539 990563....	2	BOLT, HEX <sup>3</sup> / <sub>8</sub> -16 x 1
15..	539 107608....	2	BOLT, SHOULDER	39..	539 990196....	2	NUT <sup>5</sup> / <sub>16</sub> -18 HEX
16..	532 176066....	1	ROLLER, NOSE, 48"	40..	539 112198....	1	IDLER ARM WELDMT
17..	532 179127....	1	ROD, ROLLER, NOSE	41..	539 101331....	1	NUT <sup>1</sup> / <sub>2</sub> HEX NYLOC
18..	539 990365....	2	PIN, COTTER <sup>1</sup> / <sub>8</sub> x <sup>3</sup> / <sub>4</sub>	42..	539 976998....	1	ZERK
19..	539 113312....	3	BLADE, 21"	43..	539 990582....	1	BOLT, HEX <sup>3</sup> / <sub>8</sub> -16 x 1 WHIZLK
20..	539 107522....	3	BOLT <sup>7</sup> / <sub>16</sub> BLADE	44..	539 103427....	1	PIVOT BUSHING
21..	539 113317....	1	CONFINEMENT PLATE	45..	539 106504....	1	HEAVY WASHER
22..	539 113319....	1	BELT SHIELD, RH	46..	539 103433....	1	BOLT, HEX <sup>1</sup> / <sub>2</sub> -13 x 3 <sup>1</sup> / <sub>4</sub>
23..	539 113322....	1	BELT SHIELD, LH	47..	539 990550....	1	WASHER <sup>1</sup> / <sub>2</sub> STD FLT
24..	539 104763....	8	RETAINER, U TYPE <sup>5</sup> / <sub>16</sub> -18	48..	539 112050....	3	BALL BEARING

# SEAT

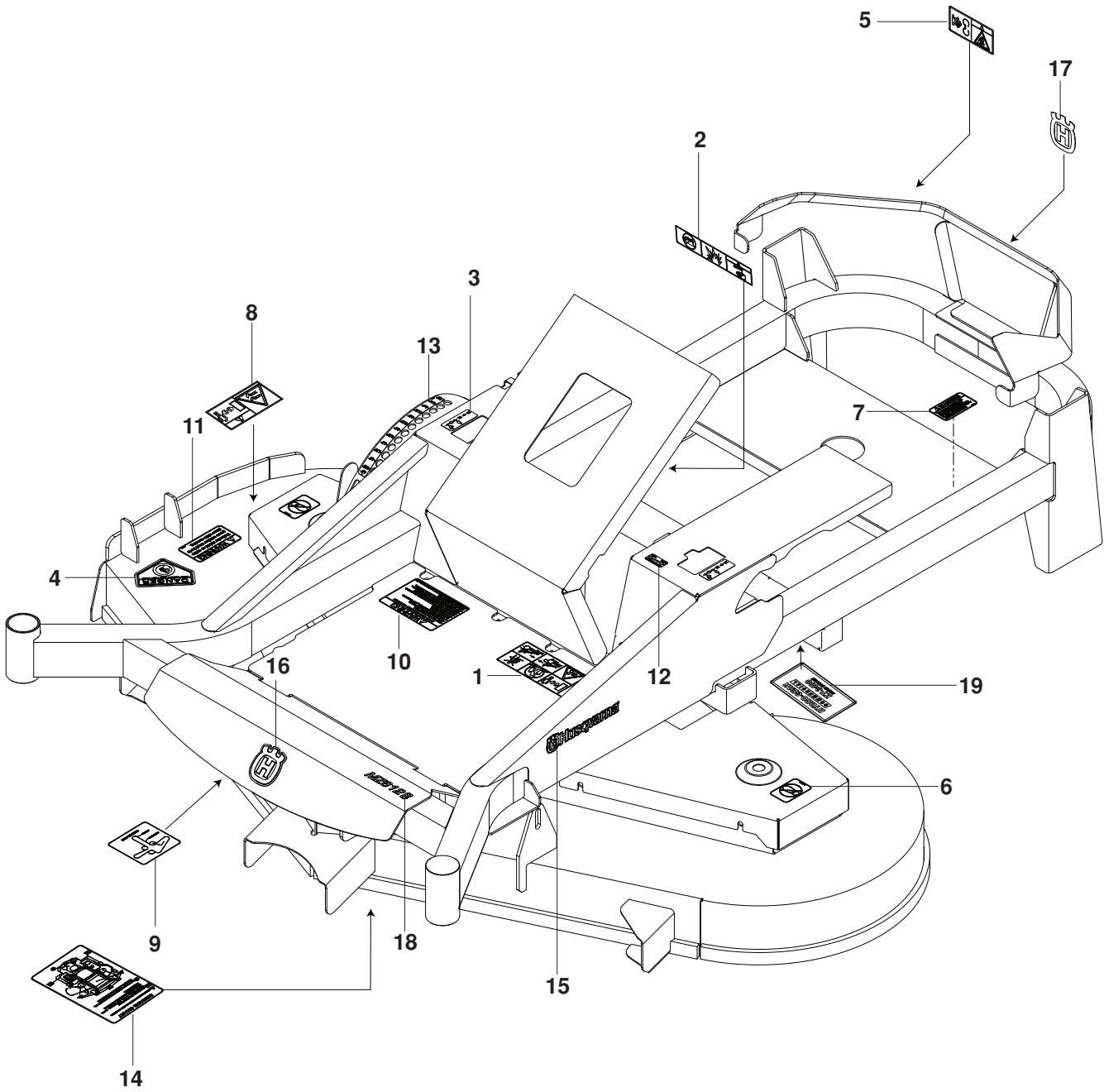


# SEAT

---

ITEM	PART NO.	QTY.	DESCRIPTION	ITEM	PART NO.	QTY.	DESCRIPTION
1..	539 130873....	1	.... SEAT	15..	539 105974....	1	.... GROMMET RUBBER
2..	575 608601....	1	.... MOUNT, SEAT w/ DECAL	16..	525 544001....	4	.... HHFS $\frac{5}{16}$ -18 x $1\frac{1}{4}$ TPBLT
3..	539 112899..	10	.... NUT $\frac{5}{16}$ -18 FLANGE NYLOC	17..	539 103247....	1	.... LANYARD, SEAT
4..	539 130896....	2	.... BOLT $\frac{5}{16}$ -18 HEX HD	18..	521 996501....	1	.... NUT $\frac{3}{8}$ -16 FLG HEX NYLOC
5..	539 990717....	2	.... NUT $\frac{5}{16}$ -18 HEX NYLOC	19..	575 017402....	2	.... MOUNT, SEAT BELT
6..	539 119741....	1	.... SWITCH, SEAT	20..	505 280001....	2	.... TIE WRAP w/ CLIP
7..	539 131656....	1	.... SUPPORT, SEAT	21..	539 990074....	1	.... RHSNB $\frac{1}{4}$ -40 x $\frac{3}{4}$
8..	575 224102....	1	.... SUPPORT, LT	22..	539 113226....	2	.... BOLT, HEX $\frac{5}{16}$ -18 x 1 THD FM
9..	575 224002....	1	.... SUPPORT, RT	23..	539 131780....	2	.... SCREW, HX FLG $\frac{5}{16}$ -18 x $3\frac{3}{4}$
10..	539 110300....	2	.... SPRING, SEAT	24..	539 976978....	1	.... NUT $\frac{1}{4}$ -20 HEX NYLOC
11..	539 104763....	8	.... RETAINER, U TYPE $\frac{5}{16}$ -18	25..	539 990598....	1	.... WASHER $\frac{1}{4}$ FLAT
12..	539 976979....	2	.... NUT $\frac{3}{8}$ -16 HEX NYLOC	26..	539 130793....	1	.... DECK STOP
13..	539 990517....	4	.... WASHER $\frac{3}{8}$ FLAT STD	27..	539 109100....	2	.... RHSNB $\frac{5}{16}$ -18 x $\frac{3}{4}$
14..	539 990645....	3	.... BOLT, RD HD $\frac{3}{8}$ -16 x 1				

# DECALS



# DECALS

---

ITEM	PART NO.	QTY.	DESCRIPTION	ITEM	PART NO.	QTY.	DESCRIPTION
1..	539 107959	...1	...DECAL, WARNING	11..	539 113224	...1	...DECAL, WARNING
2..	539 105745	...1	...DECAL, BATTERY WARNING	12..	539 110974	...2	...DECAL, F.S.T
3..	539 103333	...2	...DECAL, MOTION CONTROL	13..	539 132039	...1	...DECAL, HEIGHT ADJUST
4..	539 913010	...1	...DECAL, CPSC	14..	539 132187	...1	...DECAL, SERVICE
5..	539 105744	...1	...DECAL, DANGER BLT DRIVE	15..	532 422012	...2	...DECAL, HUSQVARNA
6..	539 105743	...2	...DECAL, NO STEP	16..	532 422011	...1	...DECAL, CROWN H
7..	539 101881	...1	...DECAL, PROP 65	17..	574 455002	...1	...DECAL, CROWN H
8..	539 105746	...1	...DECAL, SEVERING	18..	521 988002	...1	...DECAL, M6128
9..	539 112620	...1	...DECAL, BELT ROUTING	19..	574 815501	...1	...DECAL, HYDROGEAR
10..	539 113213	...1	...DECAL, WARNING				