

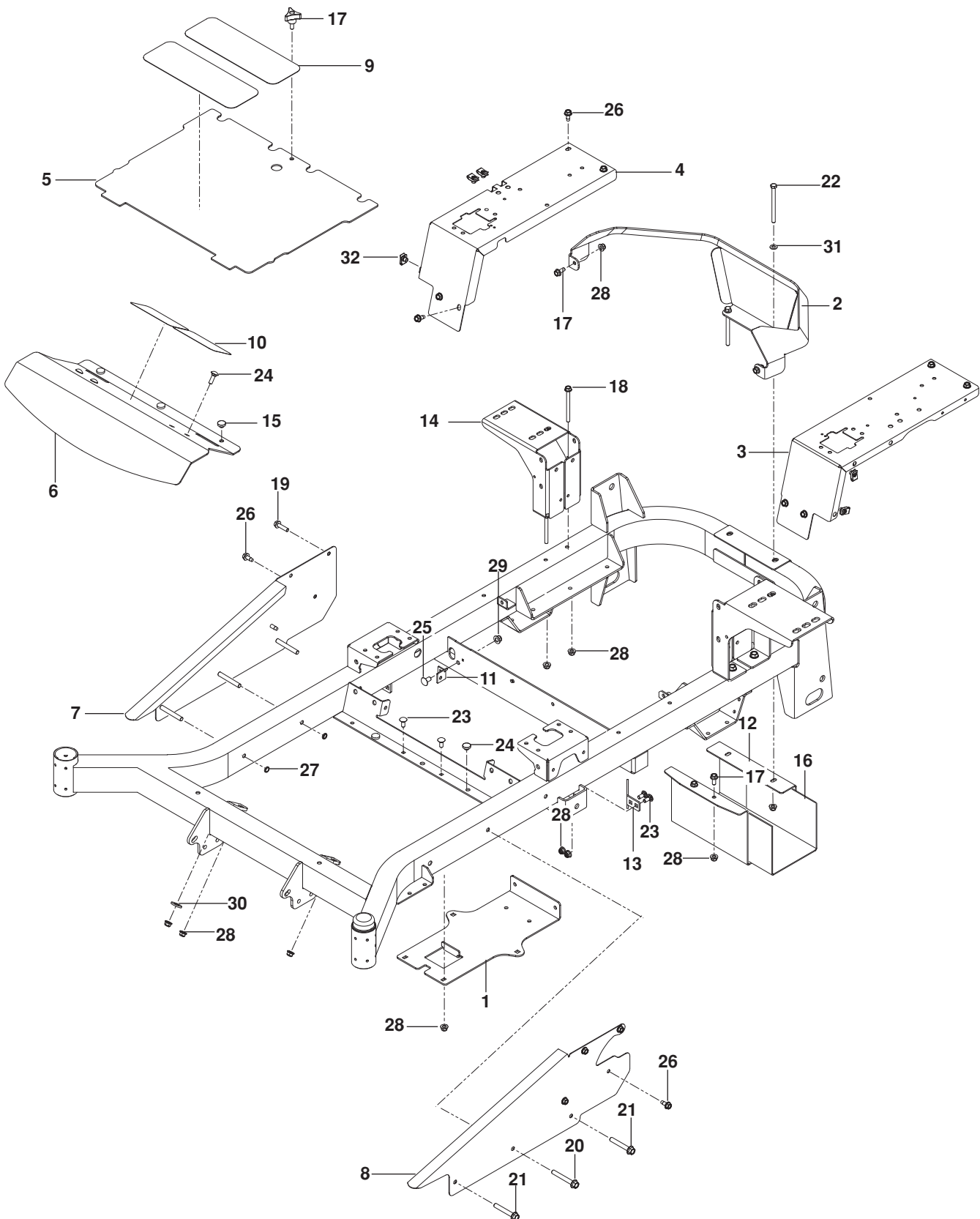
Gasoline containing up to 10% ethanol (E10) is acceptable for use in this machine. The use of any gasoline exceeding 10% ethanol (E10) will void the product warranty.

Parts Manual **MZ5424S / 967003901**



Please read the operator's manual carefully and make sure you understand the instructions before using the machine.

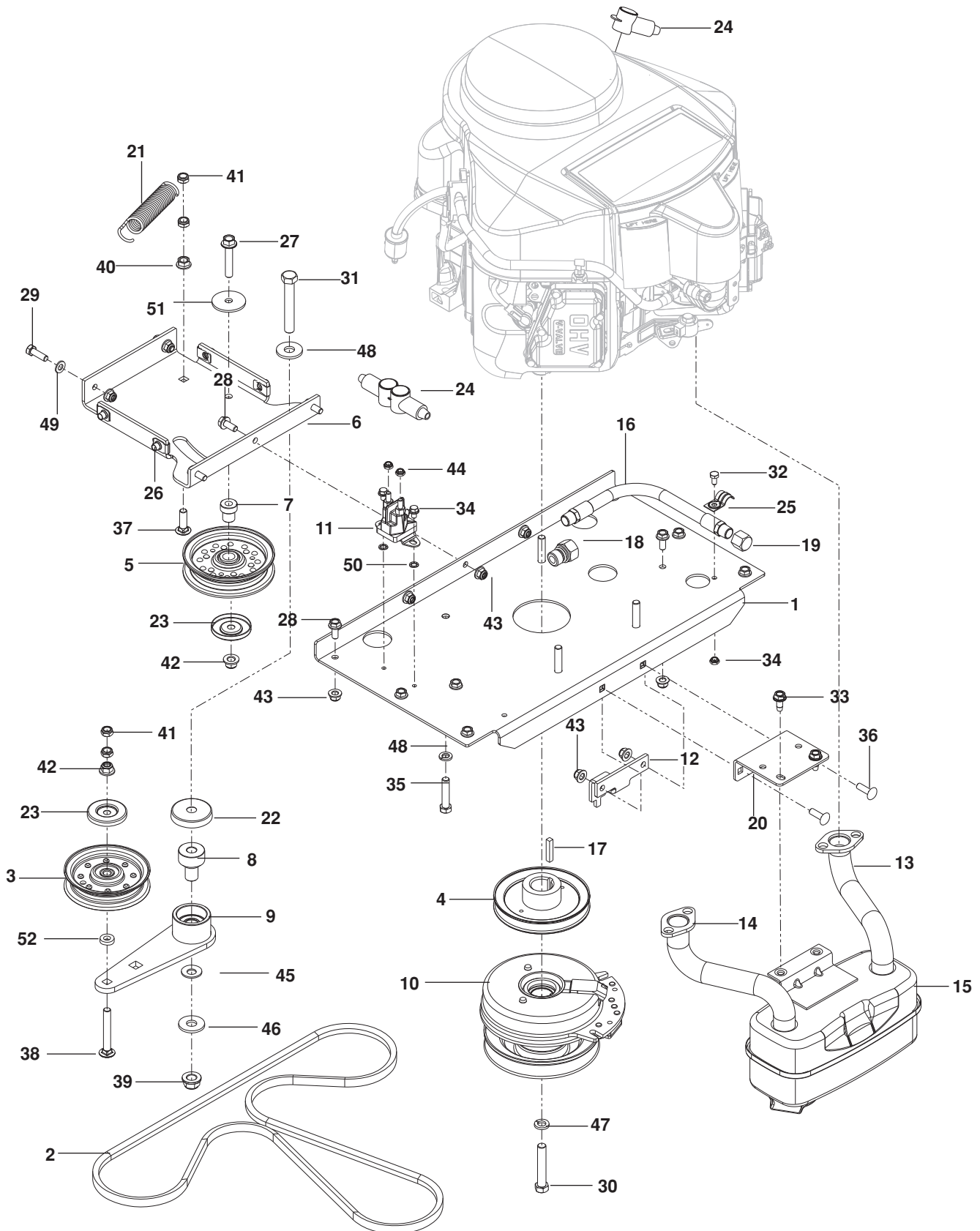
FRAME



FRAME

ITEM	PART NO.	QTY.	DESCRIPTION	ITEM	PART NO.	QTY.	DESCRIPTION
1..	575 017202....	1 PLATE, BATTERY, BLK	17..	525 464701....	5 HHFS $\frac{5}{16}$ -18 x $\frac{3}{4}$
2..	575 348402....	1 GUARD, REAR GRY	18..	539 131780....	4 HHFS $\frac{5}{16}$ -18 x $3\frac{3}{4}$
3..	577 256802....	1 PANEL, LT ORG	19..	525 544001....	1 HHFS $\frac{5}{16}$ -18 x $1\frac{1}{4}$ TPBLT
4..	577 256902....	1 PANEL, RT ORG	20..	539 131781....	2 HHFS $\frac{3}{8}$ -16 x $2\frac{3}{4}$
5..	539 132744....	1 PLATE w/ SAFTY DECAL ORG	21..	539 133006....	4 HHFS $\frac{3}{8}$ -16 x $2\frac{1}{2}$
6..	539 132380....	1 PLATE, FOOTREST ORG	22..	539 102335....	3 HCS $\frac{5}{16}$ -18 x 4
7..	539 131579....	1 SIDE, RT ORG	23..	539 990316....	6 RHSNB $\frac{5}{16}$ -18 x $\frac{3}{4}$
8..	539 131577....	1 SIDE, LT ORG	24..	539 990208....	3 RHSNB $\frac{5}{16}$ -18 x 1
9..	539 977778....	2 PAD, ABRASIVE LG	25..	539 109117....	2 RHSNB $\frac{3}{8}$ -16 x $\frac{3}{4}$
10..	539 121322....	2 PAD, ABRASIVE SM	26..	539 107475..	12 BOLT $\frac{5}{16}$ -18 x $\frac{3}{4}$ THD FRM
11..	575 245202....	2 BRACKET, DAMPENER	27..	539 200282....	6 NUT $\frac{3}{8}$ -16 HEX JAM NYLOC
12..	575 230402....	1 SHIELD, MUFFLER BLK	28..	539 112899....	6 NUT $\frac{5}{16}$ -18 HEX FLG NYLOC
13..	505 256401....	2 STOP, DECK	29..	521 996501....	2 NUT $\frac{3}{8}$ -16 HEX FLG NYLOC
14..	575 533602....	2 MOUNT, TANK BLK	30..	539 990250....	1 WASHER
15..	539 102587....	5 BUMPER	31..	539 990188....	2 WASHER $\frac{5}{16}$ SAE FLT
16..	539 132859....	1 HEAT SHIELD, MUFFLER	32..	539 104763....	8 RETAINER, U TYPE $\frac{5}{16}$ -18

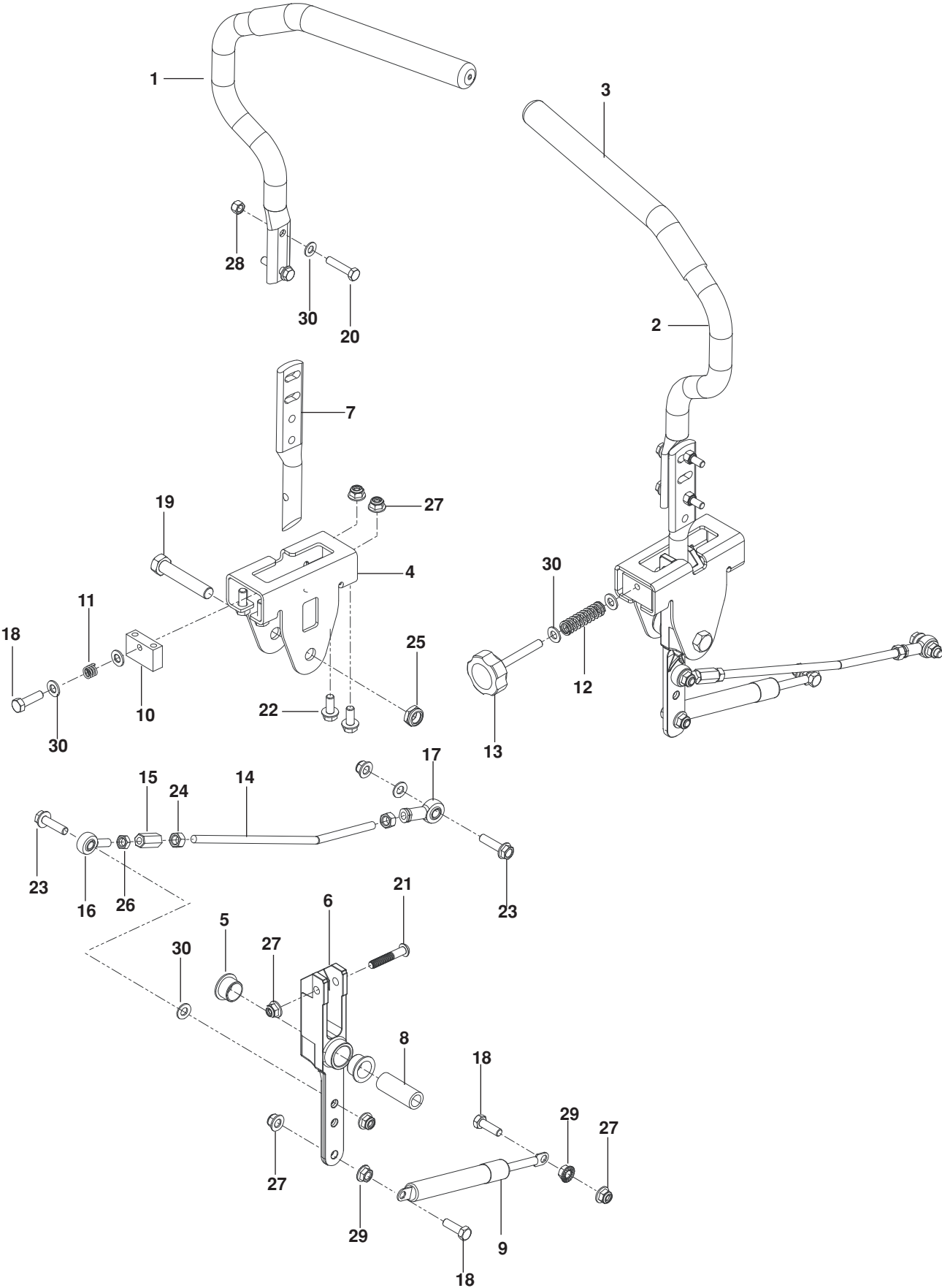
ENGINE PLATE



ENGINE PLATE

ITEM	PART NO.	QTY.	DESCRIPTION	ITEM	PART NO.	QTY.	DESCRIPTION
1..	575 608801....	1 PLATE, ENGINE w/ DECAL	29..	539 990209....	2 HCS $\frac{5}{16}$ -18 x 1
2..	574 870901....	1 BELT	30..	539 991120....	1 HCS $\frac{7}{16}$ -20 x 2 $\frac{1}{2}$
3..	539 107620....	1 PULLEY, IDLER SECONDARY	31..	539 103433....	1 HCS $\frac{1}{2}$ -13 x 3 $\frac{1}{4}$
4..	574 811001....	1 PULLEY, V 1 $\frac{1}{8}$ BORE	32..	539 990071....	1 HCS $\frac{1}{4}$ -20 x $\frac{1}{2}$
5..	539 976688....	1 PULLEY, IDLER	33..	539 107475....	2 BOLT $\frac{5}{16}$ -18 x $\frac{3}{4}$ THD FRM
6..	574 846402....	1 PLATE, IDLER SUPPORT	34..	539 990302....	2 SCREW $\frac{1}{4}$ -20 x 8 THD FRM
7..	525 435601....	1 PIVOT, IDLER	35..	539 976949....	4 HCS $\frac{3}{8}$ -16 x 1 $\frac{3}{4}$
8..	510 206301....	1 PIVOT, BEARING	36..	539 107271....	2 RHSNB $\frac{5}{16}$ -18 x 1
9..	510 041603....	1 ARM, IDLER w/ BEARINGS	37..	539 100413....	1 RHSNB $\frac{3}{8}$ -16 x 1 $\frac{1}{4}$
10..	574 607001....	1 CLUTCH, 200 FT-LB	38..	539 130235....	1 RHSNB $\frac{3}{8}$ -16 x 2 $\frac{3}{4}$
11..	539 101714....	1 SOLENOID	39..	521 991101....	1 NUT $\frac{1}{2}$ -13 HEX FLG NYLOC
12..	575 017302....	1 STOP, CLUTCH	40..	539 990613....	1 NUT $\frac{3}{8}$ -16 HEX WHIZLK
13..	532 424765....	1 EXHAUST TUBE, RT	41..	539 200282....	4 NUT $\frac{3}{8}$ -16 HEX JAM NYLOC
14..	532 424766....	1 EXHAUST TUBE, LT	42..	521 996501....	2 NUT $\frac{3}{8}$ -16 HEX FLG NYLOC
15..	539 131604....	1 MUFFLER ASM TWIN	43..	539 112899..	15 NUT $\frac{5}{16}$ -18 HEX FLG NYLOC
16..	539 101362....	1 HOSE, DRAIN	44..	539 108120....	3 NUT $\frac{1}{4}$ -20 HEX THIN NYLOC
17..	539 912757....	1 KEY $\frac{1}{4}$ SQ x 1 $\frac{1}{4}$	45..	539 115528....	1 WASHER $\frac{1}{2}$ " BELLEVILLE
18..	522 599001....	1 ADAPTER	46..	539 109554....	2 WASHER $\frac{1}{2}$ FLAT ZD
19..	539 101364....	1 PLUG, OIL	47..	539 990247....	1 WASHER $\frac{7}{16}$ SLW
20..	575 229902....	1 BRACKET, MUFFLER, BLK	48..	539 990118....	1 WASHER $\frac{3}{8}$ SPLT LK
21..	510 254401....	1 SPRING, PUMP	49..	539 990188....	2 WASHER $\frac{5}{16}$ SAE FLAT
22..	539 114662....	1 SHIELD, DUST	50..	539 990053....	2 WASHER $\frac{1}{4}$ INT TOOTH LK
23..	510 254501....	2 SHIELD, DUST	51..	539 111897....	1 WASHER, SPECIAL
24..	539 102759....	3 INSULATOR	52..	539 109562....	1 WASHER $\frac{3}{8}$ x $\frac{3}{4}$
25..	539 101363....	1 CLAMP	NOT SHOWN			
26..	539 104763....	4 RETAINER, U TYPE	539 102757 ...	1 CABLE, POSITIVE	
27..	525 866201....	1 HHFS $\frac{3}{8}$ -16 x 2	575 018301 ...	1 PIGTAIL	
28..	525 464701..	11 HHFS $\frac{5}{16}$ -18 x $\frac{3}{4}$				

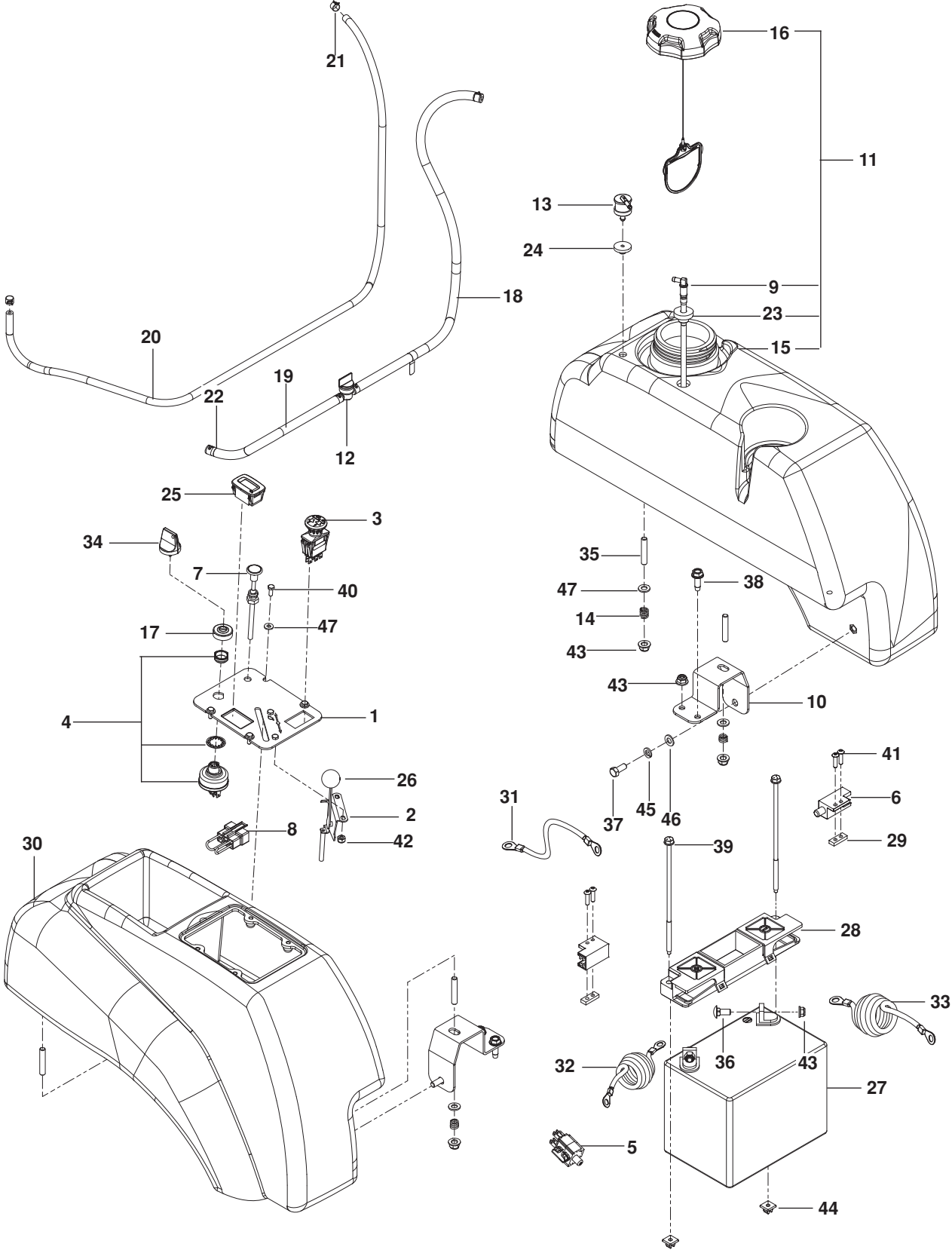
STEERING



STEERING

ITEM	PART NO.	QTY.	DESCRIPTION	ITEM	PART NO.	QTY.	DESCRIPTION
1..	539 132009....	1	LEVER w/ GRIP RT	16..	539 116690....	2	ROD END LT
2..	539 132010....	1	LEVER w/ GRIP LT	17..	539 115729....	2	ROD END RT
3..	539 130894....	2	GRIP, FOAM	18..	539 990627....	5	HCS $\frac{5}{16}$ -18 x $1\frac{1}{4}$
4..	577 251701....	2	BRACKET, CONTROL	19..	539 101332....	2	HCS $\frac{1}{2}$ -13 x $2\frac{3}{4}$
5..	539 131518....	4	BEARING, FLANGE	20..	539 976935....	4	HCS $\frac{5}{16}$ -18 x $1\frac{1}{2}$
6..	576 140301....	2	LEVER, CONTROL	21..	576 850402....	2	SCREW $\frac{5}{16}$ -18 X $1\frac{3}{4}$ BTN HD
7..	577 420001....	2	LEVER, HANDLE	22..	525 464701....	8	HHFS $\frac{5}{16}$ -18 X $\frac{3}{4}$
8..	577 252401....	2	SPACER, PIVOT CONTROL	23..	525 544001....	4	HHFS $\frac{5}{16}$ -18 x $1\frac{1}{4}$ TPBLT
9..	539 102720....	2	DAMPENER	24..	539 990223....	4	NUT $\frac{5}{16}$ -24 HEX
10..	577 251801	2	BLOCK, TRACKING	25..	539 108010....	2	NUT $\frac{1}{2}$ -13 HEX JAM NYL GR2
11..	539 102845....	1	SPRING	26..	539 991073....	2	NUT $\frac{5}{16}$ -24 HEX JAM LH
12..	576 850301....	1	SPRING	27..	539 112899..	10	NUT $\frac{5}{16}$ -18 HEX FLG NYLOC
13..	539 131799....	1	KNOB	28..	539 990717....	6	NUT $\frac{5}{16}$ -18 HEX NYLOC
14..	574 811401....	2	ROD, MOTION CONTROL	29..	539 990585....	4	NUT $\frac{5}{16}$ -18 HEX WHIZLK
15..	539 116689....	2	COUPLER, ROD END	30..	539 990188..	12	WASHER $\frac{5}{16}$ SAE FLT

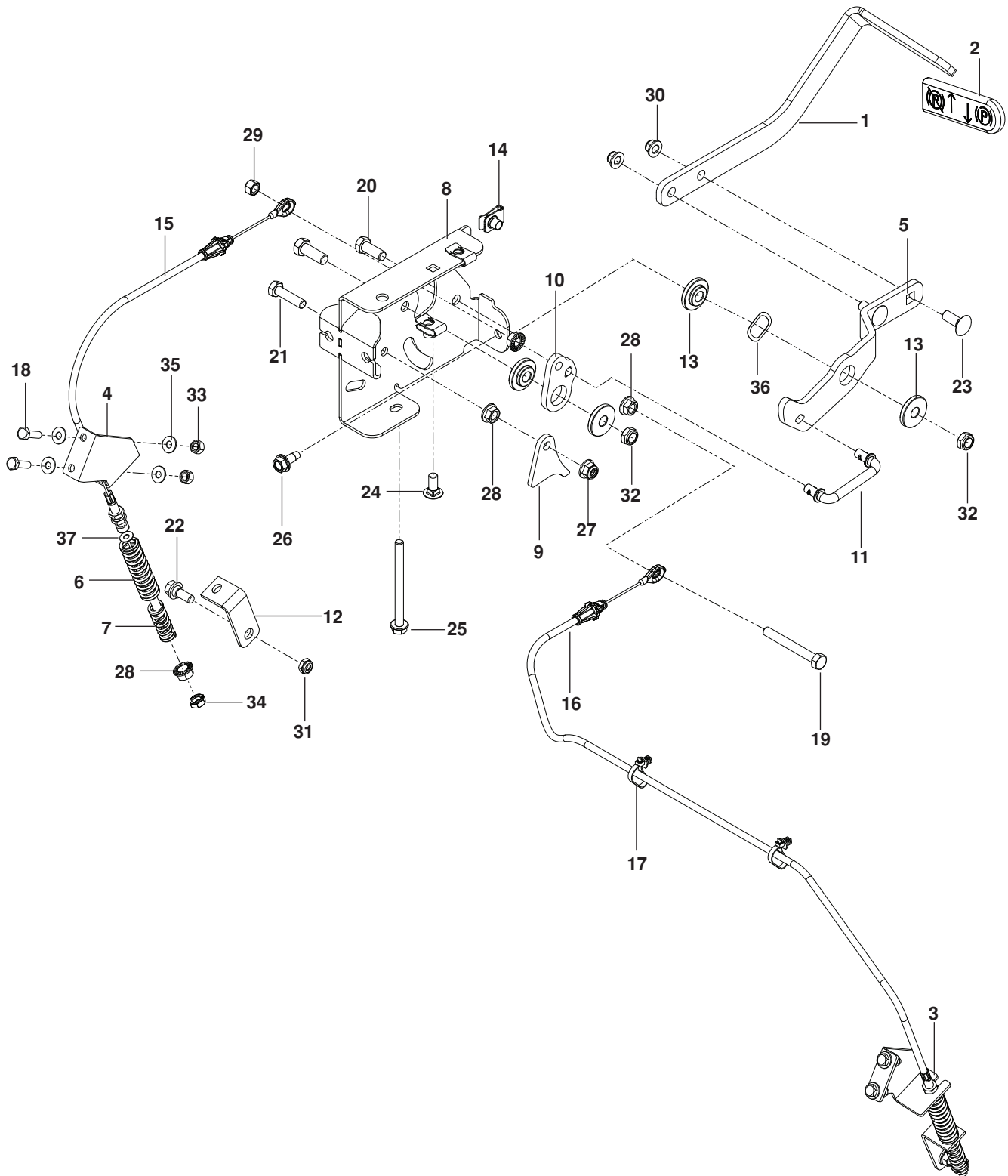
IGNITION



IGNITION

ITEM	PART NO.	QTY.	DESCRIPTION	ITEM	PART NO.	QTY.	DESCRIPTION
1..	574 841204....	1 PLATE, CONSOLE, BLK	26..	539 133049....	1 KNOB
2..	539 102732....	1 CABLE, THROTTLE	27..	539 102436....	1 BATTERY
3..	539 131627....	1 SWITCH, PTO 10 AMP	28..	539 107628....	1 BATTERY HOLD DOWN
4..	574 455401....	1 SWITCH, IGNITION	29..	539 102678....	2 PLATE, TAPPED
5..	539 113792....	1 SWITCH, BRAKE	30..	539 107593....	1 CONSOLE, RT
6..	532 109553....	2 SWITCH, INTERLOCK	31..	539 104974....	1 CABLE, POSITIVE 31"
7..	539 113458....	1 CHOKE CONTROL	32..	539 102757....	1 CABLE, POSITIVE 8"
8..	575 321001....	1 PLUG, TIMER	33..	539 107645....	1 CABLE, NEGATIVE 32"
9..	576 469201....	1 FITTING, FUEL	34..	574 455501....	1 KEY, IGNITION
10..	539 131671....	2 SUPPORT, TANK, BLK	35..	539 102502....	6 STUD $\frac{5}{16}$ -18
11..	576 370102....	1 TANK ASSY LT	36..	539 990316....	2 RHSNB $\frac{5}{16}$ -18 x $\frac{3}{4}$
12..	539 916325....	1 VALVE, FUEL	37..	539 976934....	2 HCS $\frac{5}{16}$ -18 x $\frac{3}{4}$
13..	576 618101....	1 VALVE, FUEL CHECK	38..	539 113226....	3 BOLT $\frac{5}{16}$ -18 x 1 THD FRM
14..	539 102845....	6 SPRING	39..	539 107632....	2 BOLT $\frac{1}{4}$ x $7\frac{1}{2}$
15..	576 370101....	1 TANK, FUEL LT	40..	539 990411....	6 SCREW #10-24 x $\frac{1}{2}$ SLT
16..	575 018101....	1 FUEL CAP w /TETHER	41..	574 822701....	4 SCREW #10-24 x $\frac{3}{4}$ SKT HD
17..	539 103178....	1 CAP, IGNITION SWITCH NUT	42..	539 976977....	2 NUT #10-24 NYLOC
18..	539 107765....	1 HOSE, FUEL	43..	539 112899..	12 NUT $\frac{5}{16}$ -18 HEX FLANGE NYL
19..	539 932956....	1 HOSE, FUEL 10"	44..	539 107629....	2 NUT $\frac{1}{4}$ PUSH NYLON
20..	576 660602....	1 HOSE $\frac{3}{16}$ VAPOR 48"	45..	539 990187....	2 WASHER $\frac{5}{16}$ SLW
21..	575 436501....	2 CLAMP, HOSE	46..	539 990188....	8 WASHER $\frac{5}{16}$ SAE
22..	539 912222....	4 CLAMP, HOSE	47..	539 105408....	4 WASHER #10
23..	539 105245....	1 GROMMET, RUBBER	NOT SHOWN			
24..	576 618201....	1 GROMMET, CHECK VALVE	575 320901 ...	1 HARNESS, MAIN	
25..	576 179401....	1 HOUR METER	539 976856 ...	8 WIRE TIE	

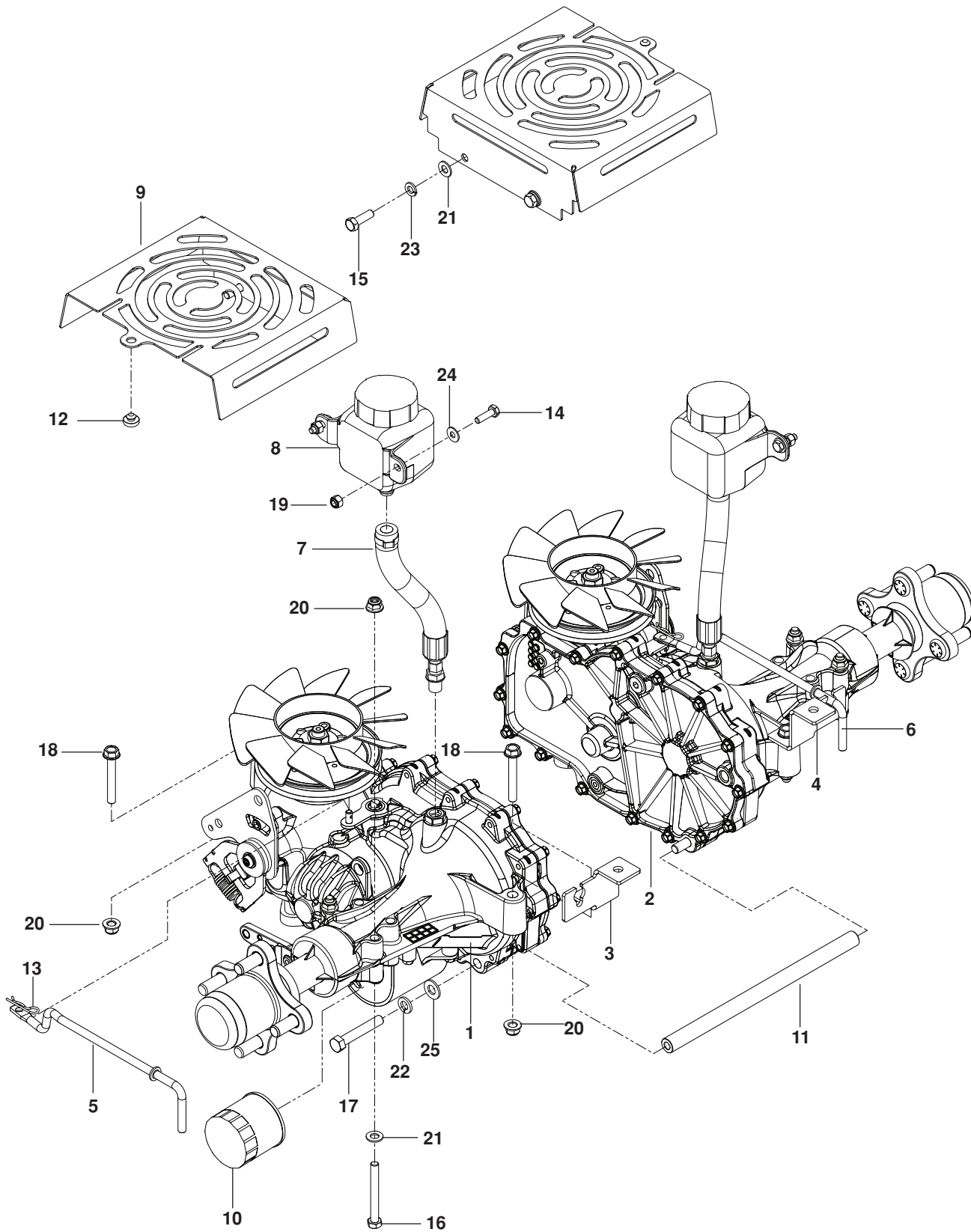
PARKING BRAKE



PARKING BRAKE

ITEM	PART NO.	QTY.	DESCRIPTION	ITEM	PART NO.	QTY.	DESCRIPTION
1..	539 132151....	1	ARM, BRAKE	20..	539 990563....	2	HCS $\frac{3}{8}$ -16 x 1
2..	539 105036....	1	GRIP, BRAKE HANDLE	21..	539 990209....	1	HCS $\frac{5}{16}$ -18 x 1
3..	575 229602....	1	BRACKET, RT BLK	22..	539 110303....	2	BOLT $\frac{5}{16}$ SHOULDER
4..	575 229702....	1	BRACKET, LT BLK	23..	539 990645....	2	RHSNB $\frac{3}{8}$ -16 x 1
5..	539 132423....	1	LEVER, BRAKE	24..	539 990316....	1	RHSNB $\frac{5}{16}$ -18 x $\frac{3}{4}$
6..	575 230201....	2	SPRING, RETURN	25..	539 131780....	1	HHFS $\frac{5}{16}$ -18 x $3\frac{3}{4}$
7..	575 230301....	2	SPRING, ENGAGEMENT	26..	539 107475....	1	BOLT $\frac{5}{16}$ -18 x $\frac{3}{4}$ THD FRM
8..	539 132158....	1	MOUNT, BRAKE	27..	539 112899....	4	NUT $\frac{5}{16}$ -18 FLANGE NYLOC
9..	539 132154....	1	ACTUATOR, SWITCH	28..	539 990585....	5	NUT $\frac{5}{16}$ -18 HEX WHIZLK
10..	539 132153....	1	BELLCRANK, BRAKE	29..	539 990717....	1	NUT $\frac{5}{16}$ -18 HEX NYLOC
11..	539 132424....	1	LINKAGE, BRAKE	30..	521 996501....	2	NUT $\frac{3}{8}$ -16 HEX FLG NYLOC
12..	575 229802....	2	BRACKET, BRAKE	31..	539 115617....	2	NUT $\frac{5}{16}$ HEX NYLOC
13..	539 132161....	4	BUSHING, BRAKE	32..	539 200282....	2	NUT $\frac{3}{8}$ -16 HEX JAM NYLOC
14..	539 104763....	3	RETAINER, U TYPE $\frac{5}{16}$ -18	33..	539 976978....	4	NUT $\frac{1}{4}$ -20 HEX NYLOC
15..	539 132173....	1	CABLE, BRAKE SHORT	34..	539 107897....	2	NUT $\frac{5}{16}$ -18 HEX JAM
16..	539 132174....	2	CABLE, BRAKE LONG	35..	539 990055....	8	WASHER $\frac{1}{4}$ SAE FLT
17..	505 280001....	2	TIE w/ CLIP	36..	539 133007....	1	WASHER .825 WAVE
18..	539 990643....	4	HCS $\frac{1}{4}$ -20 x $\frac{7}{8}$	37..	539 990122....	2	WASHER $\frac{3}{8}$ SAE
19..	539 108396....	1	HCS $\frac{5}{16}$ -18 x $2\frac{1}{2}$ TPBLT				

HYDRAULIC PUMP-MOTOR



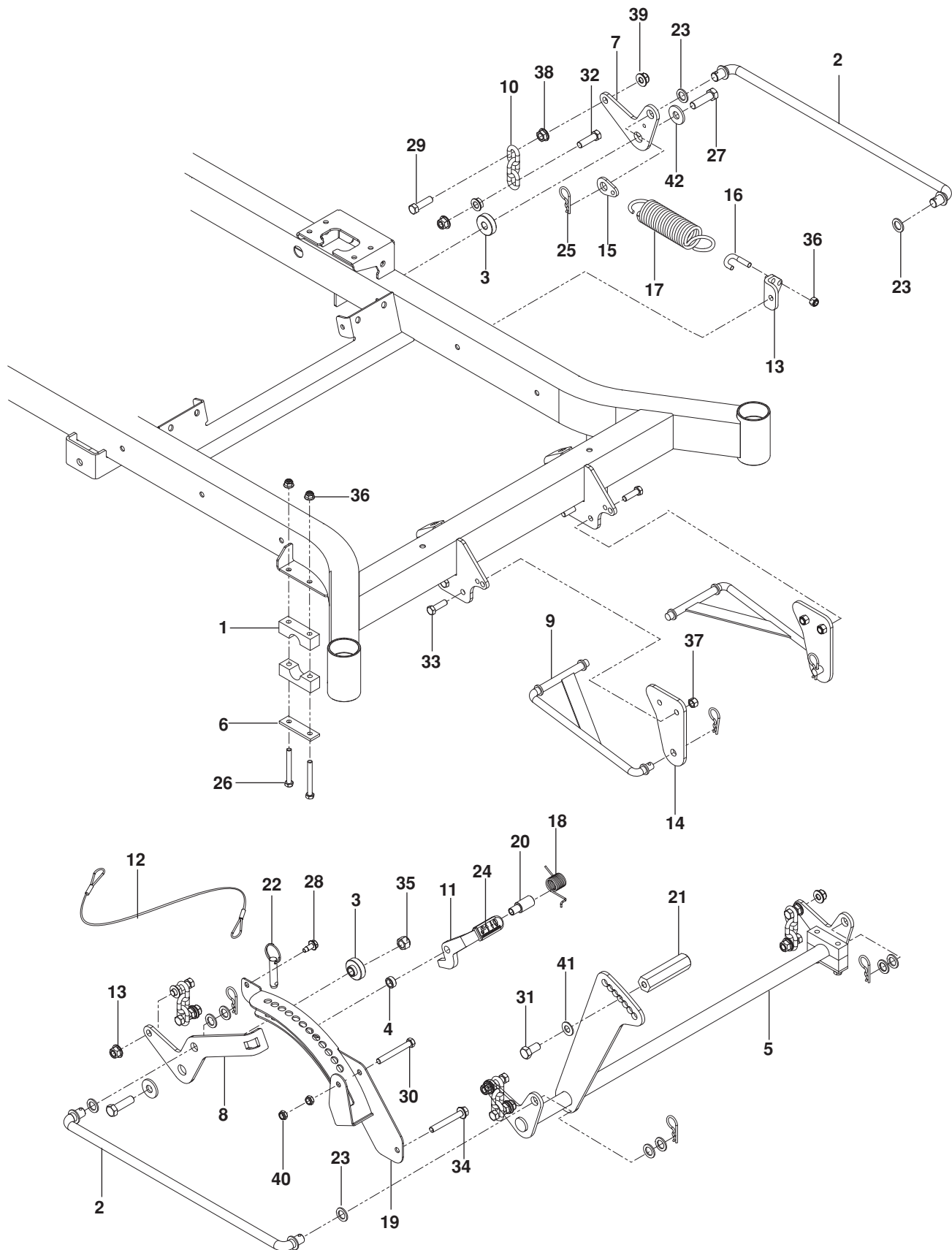
HYDRAULIC PUMP-MOTOR

ITEM	PART NO.	QTY.	DESCRIPTION	ITEM	PART NO.	QTY.	DESCRIPTION
1..	577 227702....	1 TRANS, ZT-3100, LT	15..	539 990209....	4 HCS $\frac{5}{16}$ -18 x 1
2..	577 227701....	1 TRANS, ZT-3100, RT	16..	539 101721....	4 HCS $\frac{5}{16}$ -18 x 2 $\frac{3}{4}$
3..	575 017102....	1 BRACKET, TRANS, LT	17..	539 108551....	2 HCS $\frac{3}{8}$ -16 x 2 $\frac{1}{2}$ GR8
4..	575 017002....	1 BRACKET, TRANS, RT	18..	574 233801....	4 HHFS $\frac{5}{16}$ -18 x 2 $\frac{1}{4}$
5..	539 131616....	1 LINKAGE, BYPASS LT	19..	539 976978....	4 NUT $\frac{1}{4}$ -20 HEX NYLOC
6..	539 131618....	1 LINKAGE, BYPASS RT	20..	539 112899....	8 NUT $\frac{5}{16}$ -18 HEX FLG NYLOC
7..	574 892101....	2 HOSE, EXPANSION	21..	539 990188....	8 WASHER $\frac{5}{16}$ SAE FLT
8..	574 811301....	2 TANK, EXPANSION	22..	539 990118....	2 WASHER $\frac{3}{8}$ SPLT LK
9..	575 778202....	2 COVER, FAN	23..	539 990187....	4 WASHER $\frac{5}{16}$ SLW
10..	539 113466....	2 FILTER, HYDRO	24..	539 990055....	4 WASHER $\frac{1}{4}$ SAE FLT
11..	574 868501....	1 TUBE, SPACER	25..	539 990122....	2 WASHER $\frac{3}{8}$ SAE FLT
12..	539 102587....	2 GROMMET, BUMPER	NOT SHOWN			
13..	539 976988....	2 HAIRPIN COTTER	580	906201	2 SPACER, WHEEL
14..	539 990643....	4 HCS $\frac{1}{4}$ -20 x $\frac{7}{8}$				

WHEELS

ITEM	PART NO.	QTY.	DESCRIPTION	ITEM	PART NO.	QTY.	DESCRIPTION
1..	539 104572....	2 WHEEL ASSY 13 x 6.5	11..	580 747001....	2 WHEEL ASSY, 22 x 10-10
2..	539 102546....	2 TIRE, 13 x 5-6	12..	539 104571....	2 YOKE, CASTER, ORG
3..	539 104573....	2 RIM, CASTER TIRE	13..	539 102535....	2 CAP, GREASE
4..	539 102485....	4 BEARING 2½ CAGE	14..	539 102852....	2 SLOTTED JAM NUT 1"-14
5..	539 102484....	4 BEARING, FLANGE	15..	539 102889....	2 COTTER PIN 1/8 x 2
6..	539 102543....	4 BEARING	16..	539 102851....	2 SEAL
7..	539 912234....	2 AIR VALVE	17..	539 102855....	2 HCS ½-13 x 7½
8..	539 976977....	2 ZERK	18..	521 991101 ...	2 NUT ½-13 HEX FLG NYLOC
9..	539 101474....	2 ZERK	19..	539 101173....	8 NUT ½-20 LUG
10..	539 102856....	2 SPACER, PIVOT	20..	539 109554....	2 WASHER ½ FLAT

MOWER LIFT / DECK LIFT



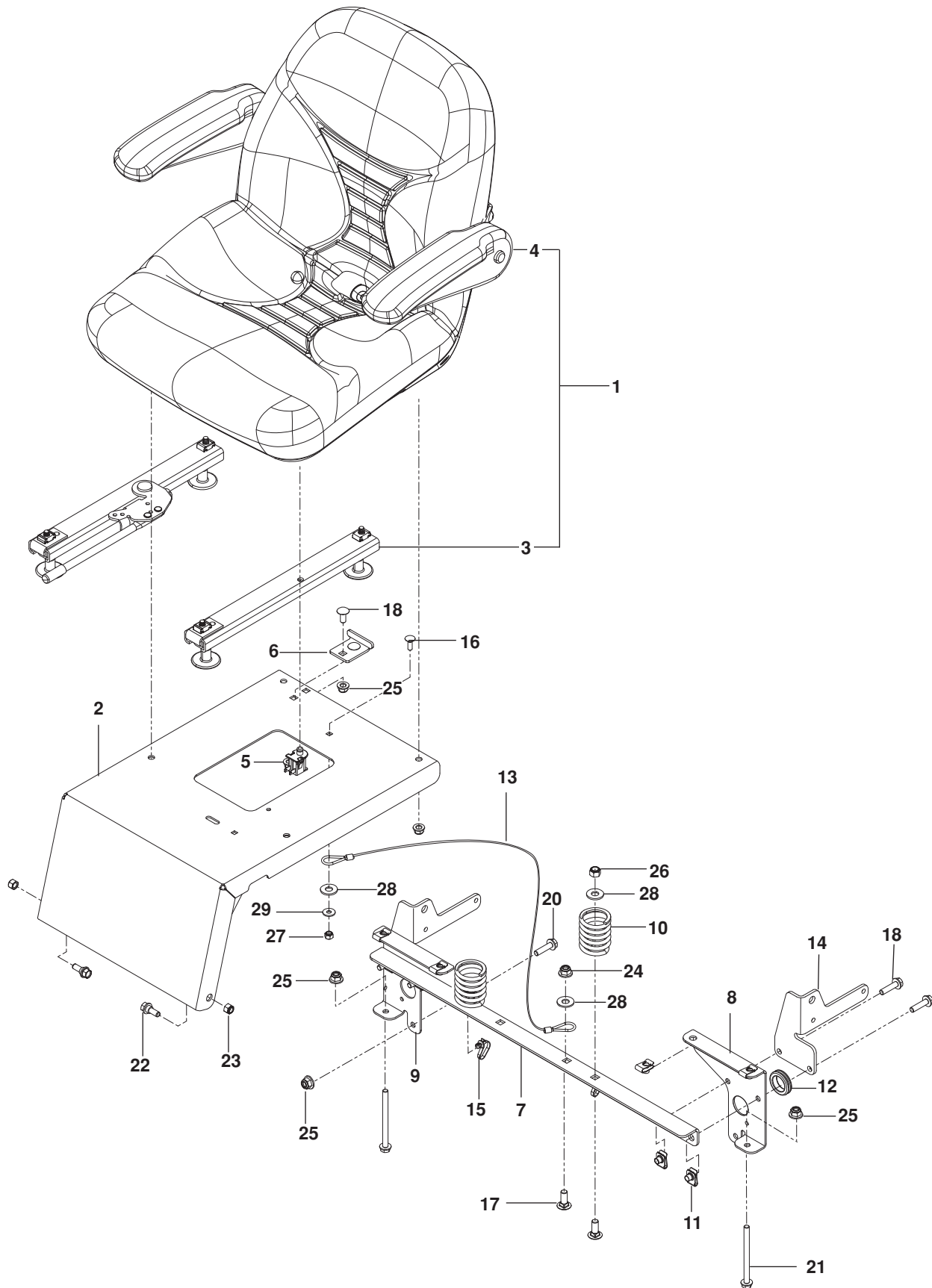
MOWER LIFT / DECK LIFT

ITEM	PART NO.	QTY.	DESCRIPTION	ITEM	PART NO.	QTY.	DESCRIPTION
1..	539 104808....4	PILLOW BLOCK	22..	539 132182....1	PIN 1/2 x 1 1/2 DETENT RING
2..	539 110808....2	LINK, DECK LIFT	23..	539 991043..10	BUSHING .625
3..	539 118937....2	SPACER, IDLER	24..	539 132851....1	GRIP
4..	539 131861....1	SPACER	25..	539 115501....6	PIN, COTTER 1 3/4
5..	539 131509....1	SHAFT, FRONT LIFT	26..	539 101721....4	HCS 5/16-18 x 2 3/4
6..	539 104807....2	REINFORCEMENT BAR	27..	539 108181....2	HCS 1/2-13 x 1 3/4 GR 8
7..	539 131897....1	BELLCRANK, RR, LIFT	28..	539 107475....1	BOLT 5/16-18 x 3/4 THD FRM
8..	539 131853....1	BELLCRANK, RR, RT	29..	539 101175....4	HCS 7/16-14 x 1 1/2
9..	539 112223....2	LINKAGE, STRUT	30..	539 101341....1	HCS 3/8-16 x 3
10..	539 109693....4	LIFT CHAIN-3 LINK	31..	539 990646....1	HCS 1/2-13 x 1 3/4
11..	539 131566....1	LATCH, TRANSPORT	32..	539 108073....4	HCS 7/16-14 x 1 3/4
12..	539 105059....1	LANYARD	33..	539 976941....4	HCS 3/8-16 X 1 1/4
13..	539 131791....1	MOUNT, SPRING	34..	539 131781....1	HHFS 3/8-16 x 2 3/4
14..	539 132017....2	MOUNT, STRUT	35..	539 101331....2	NUT 1/2 HEX NYLOC
15..	539 131792....1	TAB, SPRING	36..	539 112899....5	NUT 5/16-18 HEX FLG NYLOC
16..	539 112896....1	J-BOLT	37..	539 976979....4	NUT 3/8-16 HEX NYLOC
17..	539 102642....1	SPRING	38..	539 102582....8	NUT 7/16-14 HEX WHIZ LK
18..	539 132734....1	SPRING, TORSION	39..	539 132019....8	NUT 7/16-14 HEX WHIZ LK
19..	539 131850....1	HEIGHT ADJUST, DECK	40..	539 200282....2	NUT 3/8-16 HEX JAM NYLOC
20..	539 131860....1	PIVOT LATCH, TRANSPORT	41..	539 102843....1	WASHER 7/16 SPRING
21..	539 131556....1	PEDAL, FOOT	42..	539 109554....2	WASHER 1/2 FLT

MOWER DECK / CUTTING DECK

ITEM	PART NO.	QTY.	DESCRIPTION	ITEM	PART NO.	QTY.	DESCRIPTION
1..	577 200203....	1 DECK w/ SFTY DECALS ORG	28..	539 112198....	1 ARM, IDLER
2..	532 187256....	3 BLADE, 54"	29..	532 415598....	1 PORT, WASHOUT
3..	577 503601....	1 BELT	30..	539 990365....	1 PIN 1/8 x 3/4 COTTER
4..	539 112057....	3 MANDREL ASSY	31..	577 923201....	2 HCS 5/16-18 x 3 TPBLT
5..	539 112171....	3 PULLEY	32..	539 990588....	3 HCS 3/8-16 x 2
6..	539 132728....	3 PULLEY, IDLER	33..	539 990563....	2 HCS 3/8-16 x 1
7..	539 976998....	1 ZERK	34..	539 990582....	1 HCS 3/8-16 x 1 WHIZLK
8..	539 112056....	1 SHAFT, MANDREL	35..	539 103433....	1 HCS 1/2-13 x 3 1/4
9..	539 107610....	2 WHEEL	36..	539 100472....	7 RHSNB 5/16-18 x 1 1/4
10..	539 112054....	1 DEFLECTOR	37..	539 990799....	5 RHSNB 5/16-18 x 5/8
11..	539 112059....	1 BAFFLE, RT	38..	539 107608....	2 BOLT, SHOULDER
12..	539 112062....	1 BAFFLE, CNTR	39..	539 108461....	1 BOLT 1/4-20 x 1/2 HWST
13..	539 112060....	1 BAFFLE, LT	40..	539 107630..	12 SCREW, WASHER HEAD
14..	539 131857....	2 PITCH, ADJUST, RT	41..	539 107631....	4 SCREW 1/4 -20 x 5/16 THDROLL
15..	539 131858....	2 PITCH, ADJUST, LT	42..	539 990717..	12 NUT 5/16-18 HEX NYLOC
16..	539 131859....	2 TRUNION, PITCH	43..	539 976979....	7 NUT 3/8-16 HEX NYLOC
17..	532 188187....	1 COVER, MANDREL RT	44..	539 990613....	1 NUT 3/8-16 HEX WHIZLK
18..	532 187297....	1 COVER, MANDREL LT	45..	539 107590....	3 NUT 9/16 TOP CENTER LOCK
19..	539 112076....	2 BUSHING, IDLER	46..	539 107626....	1 PUSHNUT
20..	539 103427....	1 BUSHING, PIVOT	47..	539 990196....	4 NUT 5/16-18 HEX
21..	539 107609....	1 SPRING, TORSION	48..	539 101331....	1 NUT 1/2 HEX NYLOC
22..	539 103256....	1 SPRING	49..	539 106504....	2 WASHER, HEAVY
23..	539 112050....	1 BEARING, BALL	50..	539 102243....	1 WASHER, SUPPORT
24..	532 176066....	1 ROLLER, NOSE	51..	539 107520....	3 WASHER, SPACER
25..	539 107613....	1 ROD, ROLLER	52..	539 990550....	1 WASHER 1/2 STD FLT
26..	539 110462....	1 ROD, HINGE	53..	539 990517....	7 WASHER 3/8 FLAT STD
27..	539 107627....	1 CAP, SLEEVE	54..	532 193003....	3 WASHER/BOLT ASSY

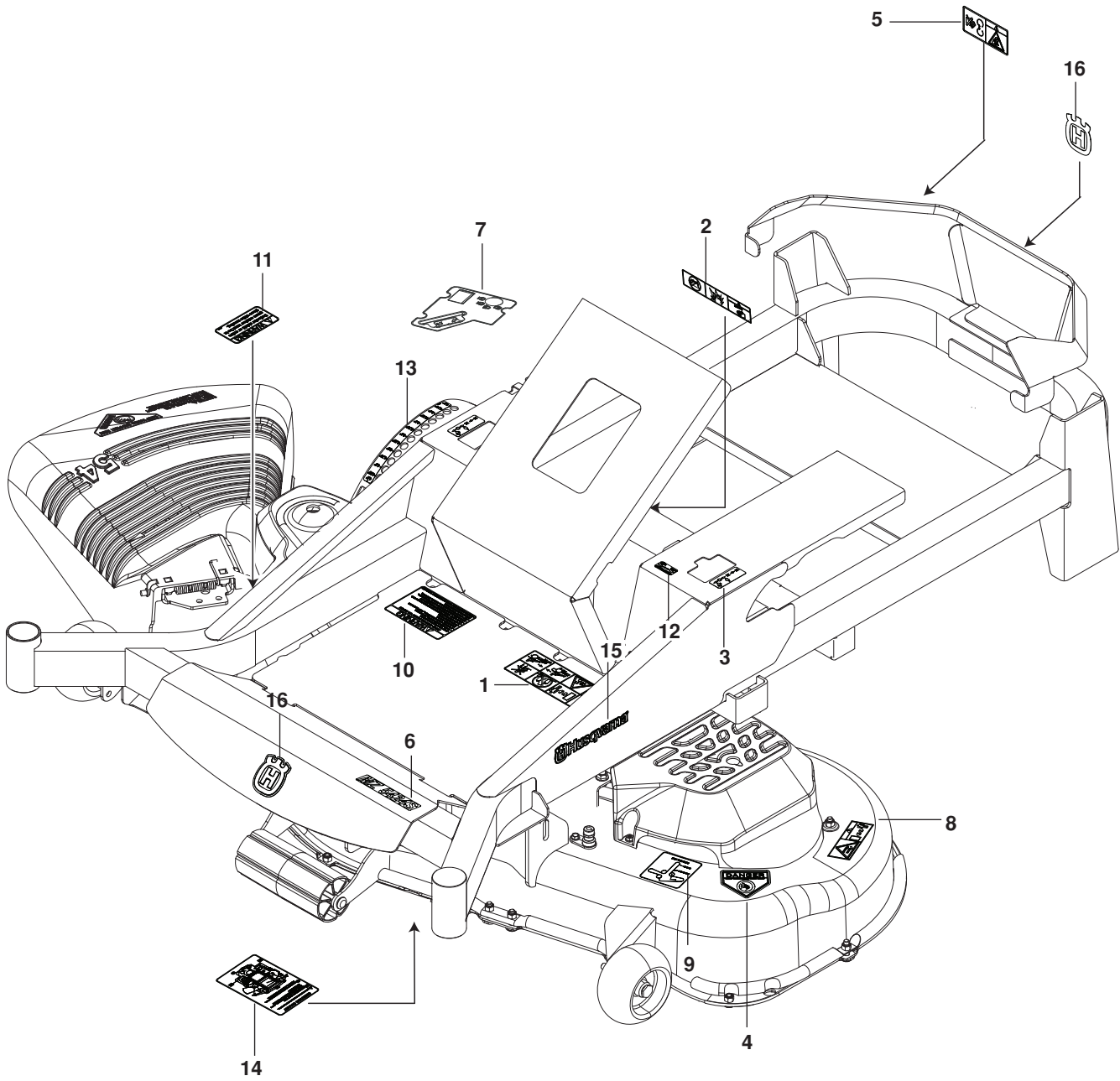
SEAT



SEAT

ITEM	PART NO.	QTY.	DESCRIPTION	ITEM	PART NO.	QTY.	DESCRIPTION
1..	539 130873....	1 SEAT ASSY	15..	505 280001....	2 TIE WRAP w/ CLIP
2..	575 608601....	1 MOUNT, SEAT w/ DECAL	16..	539 990074....	1 RHSNB 1/4-40 x 3/4
3..	539 112037....	1 RAIL SET, SEAT	17..	539 990645....	3 RHSNB 3/8-16 x 1
4..	539 112036....	1 ARM REST, LT	18..	539 109100....	2 RHSNB 5/16-18 x 3/4
	539 112035....	1 ARM REST, RT	19..	525 544001....	4 HHFS 5/16-18 x 1 1/4 TPBLT
5..	532 421062....	1 SWITCH, SEAT	20..	525 464701....	2 HHFS 5/16-18 x 3/4
6..	539 130793....	1 DECK STOP	21..	539 131780....	2 HHFS 5/16-18 x 3 3/4
7..	539 131656....	1 SUPPORT, SEAT	22..	539 130896....	2 BOLT 5/16-18 SHOULDER
8..	575 224102....	1 SUPPORT, LT	23..	539 990717....	2 NUT 5/16-18 HEX NYLOC
9..	575 224002....	1 SUPPORT, RT	24..	521 996501....	1 NUT 3/8-16 HEX FLG NYLOC
10..	539 110300....	2 SPRING, SEAT	25..	539 112899..	10 NUT 5/16-18 HEX FLG NYLOC
11..	539 104763....	8 RETAINER, U TYPE	26..	539 976979....	2 NUT 3/8-16 HEX NYLOC
12..	539 105974....	1 GROMMET RUBBER	27..	539 976978....	1 NUT 1/4-20 HEX NYLOC
13..	539 103247....	1 LANYARD, SEAT	28..	539 990517....	4 WASHER 3/8 FLAT STD
14..	575 017402....	2 MOUNT, SEAT BELT	29..	539 990598....	1 WASHER 1/4 FLAT

DECALS



DECALS

ITEM	PART NO.	QTY.	DESCRIPTION	ITEM	PART NO.	QTY.	DESCRIPTION
1..	539 107959	...1	...DECAL, WARNINGS	9..	539 112620	...1	...DECAL, BELT ROUTING
2..	539 105745	...1	...DECAL, BATTERY WARNING	10..	539 113213	...1	...DECAL, WARNING
3..	539 103333	...2	...DECAL, MOTION CONTROL	11..	539 113224	...1	...DECAL, DEFLECTOR
4..	539 913010	...1	...DECAL, BLADE WARNING	12..	539 110974	...2	...DECAL, TRACKING
5..	539 105744	...1	...DECAL, DANGER BLT DRIVE	13..	539 132039	...1	...DECAL, HEIGHT ADJUST
6..	521 988005	...1	...DECAL, MZ5424S	14..	539 132187	...1	...DECAL, SERVICE
7..	574 841103	...1	...DECAL, CONTROL	15..	532 429196	...2	...DECAL, HUSQVARNA
8..	539 105746	...1	...DECAL, SEVERING	16..	532 428676	...2	...DECAL, CROWN H