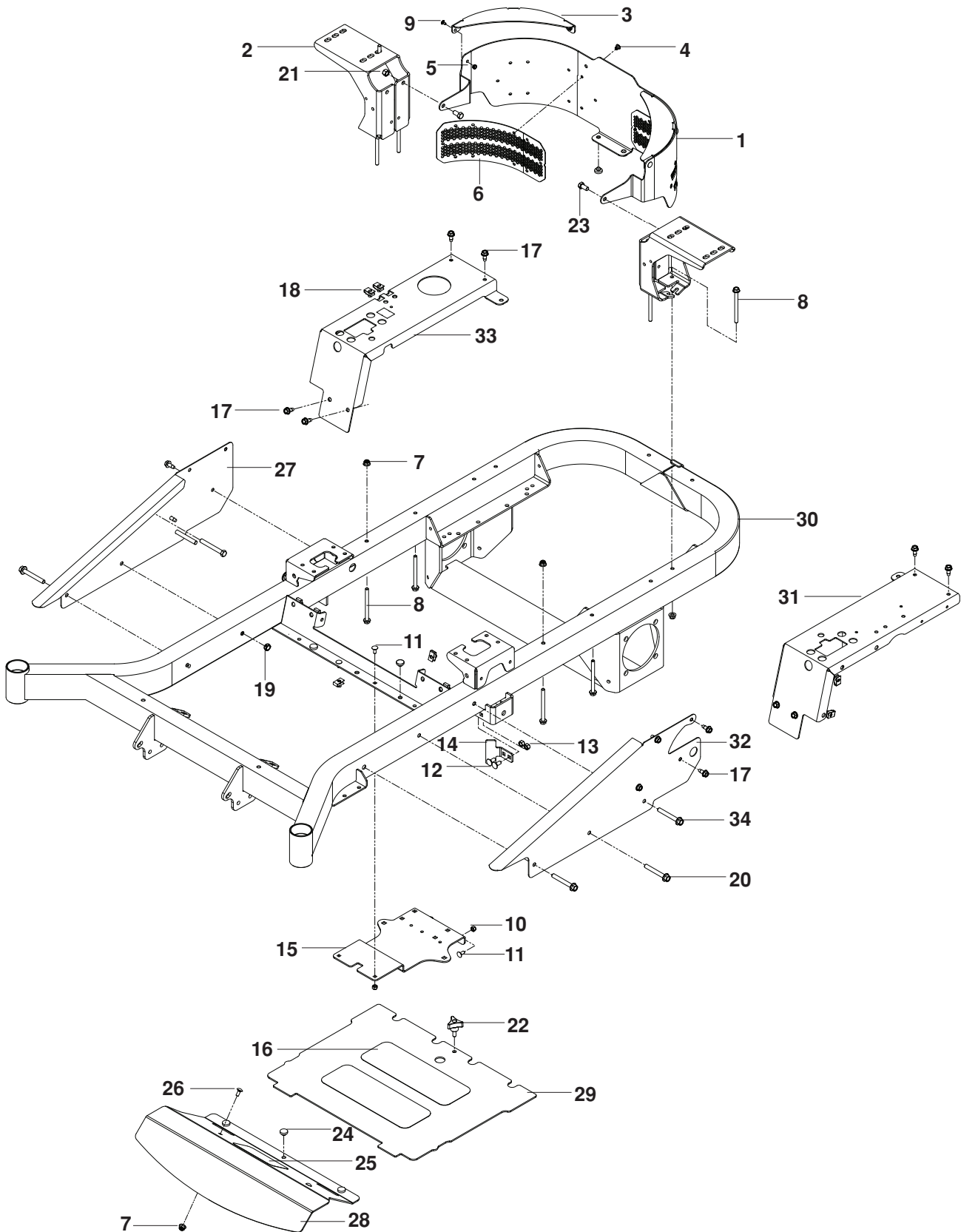


# FRAME

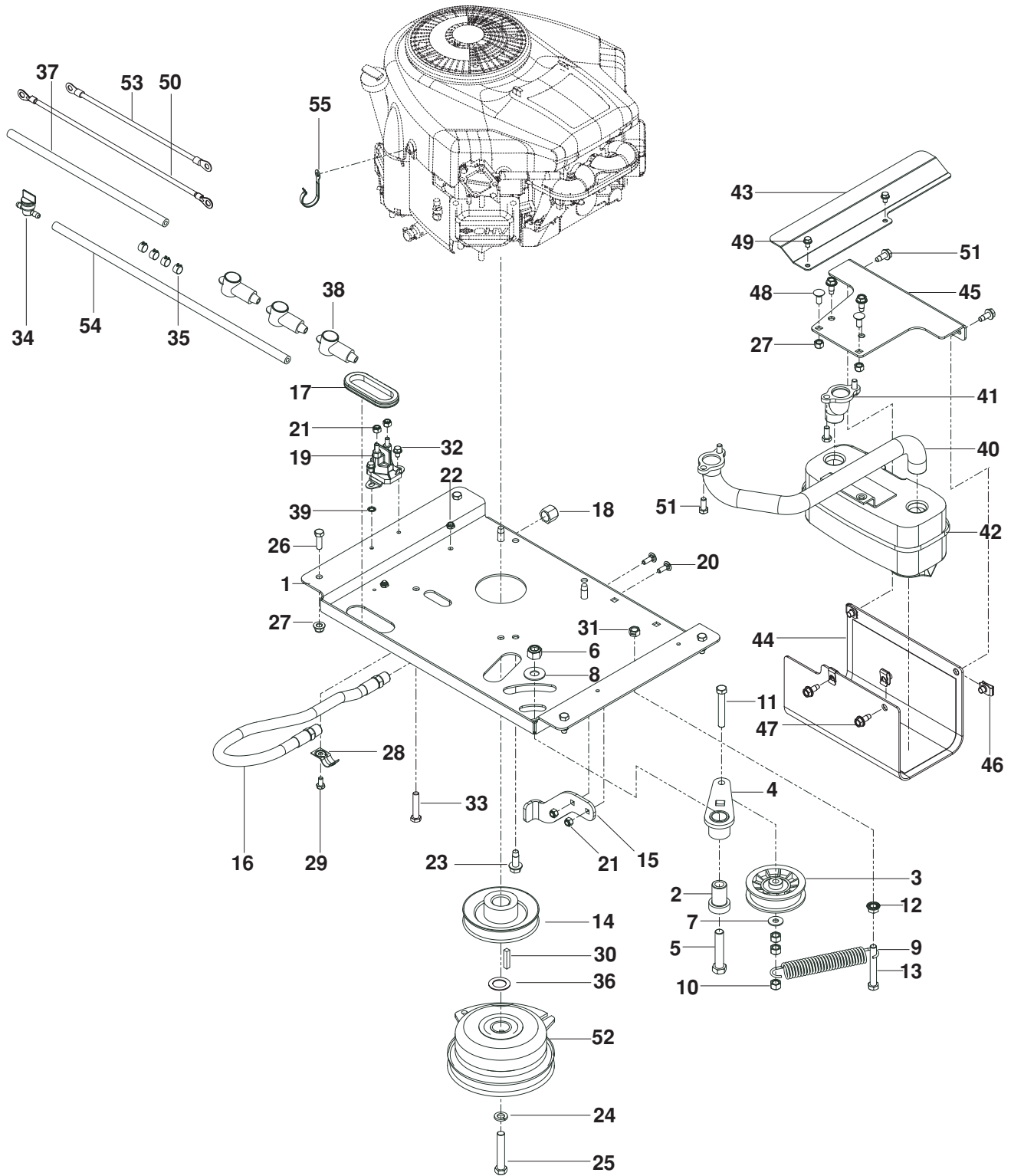


# FRAME

ITEM	PART NO.	QTY.	DESCRIPTION	ITEM	PART NO.	QTY.	DESCRIPTION
1..	539 131594....	1	.... GUARD, REAR	20..	539 131781....	2	.... SCREW, HX FLG $\frac{3}{8}$ -16 x $2\frac{3}{4}$
2..	539 131692....	2	.... MOUNT, TANK, REAR	21..	539 976979....	2	.... NUT $\frac{3}{8}$ -16 HEX NYLOC
3..	539 131751....	2	.... SUPPORT, TOP	22..	539 104411....	1	.... KNOB w/ STUD
4..	539 200684..	12	.... RIVET $\frac{3}{16}$ STAVEX	23..	539 990134....	2	.... BOLT, HEX $\frac{3}{8}$ -16 x $\frac{3}{4}$
5..	539 108120....	6	.... NUT $\frac{1}{4}$ -20 HEX THIN NYLOC	24..	539 102587....	7	.... GROMMET, BUMPER
6..	539 131753....	2	.... PANEL, HEX, RR	25..	539 121322....	2	.... FOOT PAD
7..	539 112899..	15	.... NUT $\frac{5}{16}$ -18 FLANGE NYLOC	26..	539 990208....	3	.... BOLT, RD HD $\frac{5}{16}$ -18 x 1
8..	539 131780....	8	.... SCREW, HX FLG $\frac{5}{16}$ -18 x $3\frac{3}{4}$	27..	539 131579....	1	.... SIDE, RT
9..	539 111777....	6	.... RHSSNB $\frac{1}{4}$ -20 x $\frac{1}{2}$	28..	539 132380....	1	.... PLATE, FOOTREST
10..	539 976978....	4	.... NUT $\frac{1}{4}$ -20 HEX NYLOC	29..	539 132744....	1	.... PLATE, FLOOR w/ DECALS
11..	539 111786....	4	.... RHSSNB $\frac{1}{4}$ -20 x $\frac{5}{8}$	30..	539 132743....	1	.... FRAME w/ DECALS Serial # prior to 095106013
12..	539 990316....	4	.... BOLT, RD HD $\frac{5}{16}$ -18 x $\frac{3}{4}$		575 725301....	1	.... FRAME w/ DECALS Serial # 095106013 and after
13..	539 990717....	4	.... NUT $\frac{5}{16}$ -18 HEX NYLOC	31..	539 131589....	1	.... PANEL, FILLER, LT
14..	505 256401....	2	.... STOP, DECK	32..	539 131577....	1	.... SIDE, LT
15..	539 131537....	1	.... MOUNT, BATTERY	33..	539 131591....	1	.... PANEL, FILLER, RT
16..	539 977778....	2	.... ABRASIVE PAD	34..	539 133006....	4	.... SCREW, HX FLG $\frac{3}{8}$ -16 x $2\frac{1}{2}$
17..	539 107475..	16	.... BOLT $\frac{5}{16}$ -18 x $\frac{3}{4}$ THD FRM				
18..	539 104763..	12	.... RETAINER, U TYPE				
19..	539 200282....	6	.... NUT $\frac{3}{8}$ -16 HEX JAM NYLOC				

# ENGINE PLATE

965879901

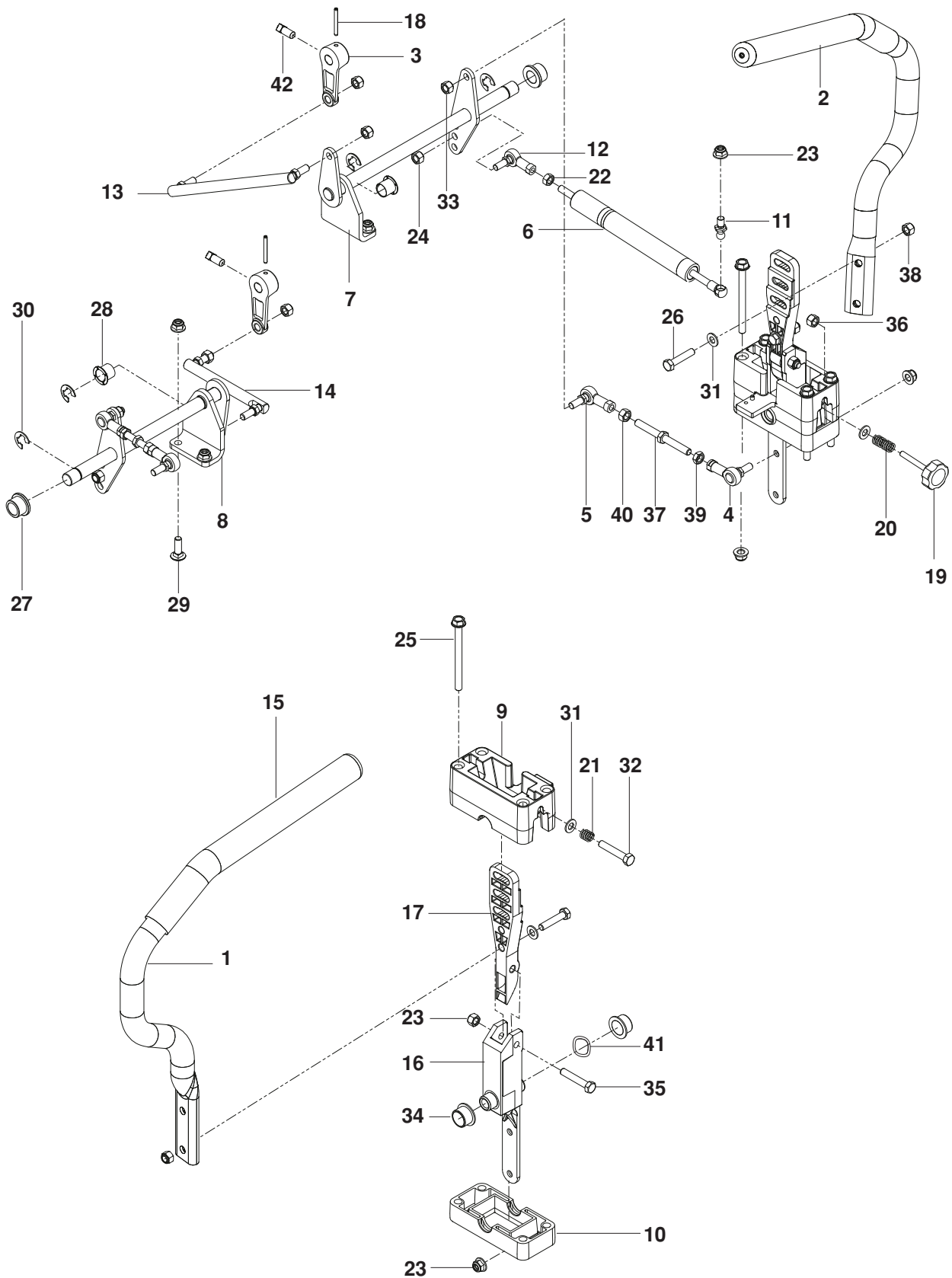


# ENGINE PLATE

---

ITEM	PART NO.	QTY.	DESCRIPTION	ITEM	PART NO.	QTY.	DESCRIPTION
1..	539 131726....	1	.... PLATE, ENGINE	30..	539 912757....	1	.... KEY ¼ SQ x 1¼
2..	539 101231....	1	.... IDLER SPINDLE	31..	539 990546....	1	.... NUT ¾-16 HEX CNTRLK
3..	539 110311....	1	.... IDLER PULLEY	32..	539 990302....	2	.... SCREW ¼-20 x ¾ THD FRM
4..	539 112092....	1	.... IDLER ARM WLDMT	33..	539 990669....	1	.... BOLT, HEX ⅝-18 x 1¾
5..	539 108346....	1	.... BOLT, HEX ½-13 x 2½	34..	539 916325....	1	.... FUEL VALVE
6..	539 101331....	1	.... NUT ½ HEX NYLOC	35..	539 912222....	4	.... HOSE CLAMP
7..	539 990692....	1	.... WASHER ⅝ STD FLT	36..	539 115675....	1	.... WASHER
8..	539 990550....	1	.... WASHER ½ STD FLT	37..	539 108212....	1	.... FUEL LINE-13"
9..	539 101977....	1	.... TRACTION SPRING	38..	539 102759....	3	.... INSULATOR
10..	539 976979....	3	.... NUT ¾-16 HEX NYLOC	39..	539 990053....	1	.... WASHER ¼ INT TOOTH LK
11..	539 110122....	1	.... BOLT, HEX ¾-16 x 2½ TPBLT	40..	539 131739....	1	.... MANIFOLD, FT
12..	539 990613....	1	.... NUT ¾-16 HEX WHIZLK	41..	539 131740....	1	.... MANIFOLD, RR
13..	539 102612....	1	.... BOLT, HEX ¾-16 x 2¾	42..	539 131604....	1	.... MUFFLER ASM TWIN
14..	539 109639....	1	.... PULLEY	43..	539 131758....	1	.... SHIELD, HEAT
15..	539 131728....	1	.... TIE DOWN, CLUTCH	44..	539 131769....	1	.... GUARD, MUFFLER
16..	539 131729....	1	.... DRAIN, OIL	45..	539 131771....	1	.... MOUNT, MUFFLER
17..	539 107210....	1	.... GROMMET	46..	539 104763....	4	.... RETAINER, U TYPE
18..	539 101364....	1	.... PLUG-OIL	47..	539 107475....	6	.... BOLT ⅝-18 x ¾ THD FRM
19..	539 101714....	1	.... SOLENOID	48..	539 990316....	2	.... BOLT, RD HD ⅝-18 x ¾
20..	539 990074....	2	.... BOLT, RD HD ¼-20 x ¾ GR2	49..	539 990302....	2	.... SCREW ¼-20 x ¾ THD FRM
21..	539 976978....	6	.... NUT ¼-20 HEX NYLOC	50..	539 115799....	1	.... CABLE, GROUND
22..	539 108120....	2	.... NUT ¼-20 HEX THIN NYLOC	51..	539 976934....	4	.... BOLT, HEX ⅝-18 x ¾
23..	532 120616....	3	.... BOLT ¾-16 x 1 THD FRM	52..	539 132732....	1	.... CLUTCH
24..	539 990247....	1	.... WASH ⅞ SLW	53..	539 132412....	1	.... CABLE, POSITIVE
25..	539 991120....	1	.... BOLT, HEX ⅞-20 x 2½	54..	539 105382....	1	.... FUEL LINE
26..	539 990209....	4	.... BOLT, HEX ⅝-18 x 1	55..	539 107098....	2	.... CLAMP
27..	539 112899....	6	.... NUT ⅝-18 FLANGE NYLOC	NOT SHOWN			
28..	539 101363....	2	.... CLAMP	539 107516....	1	.... PIGTAIL	
29..	539 990071....	2	.... BOLT, HEX ¼-20 x ½				

# STEERING

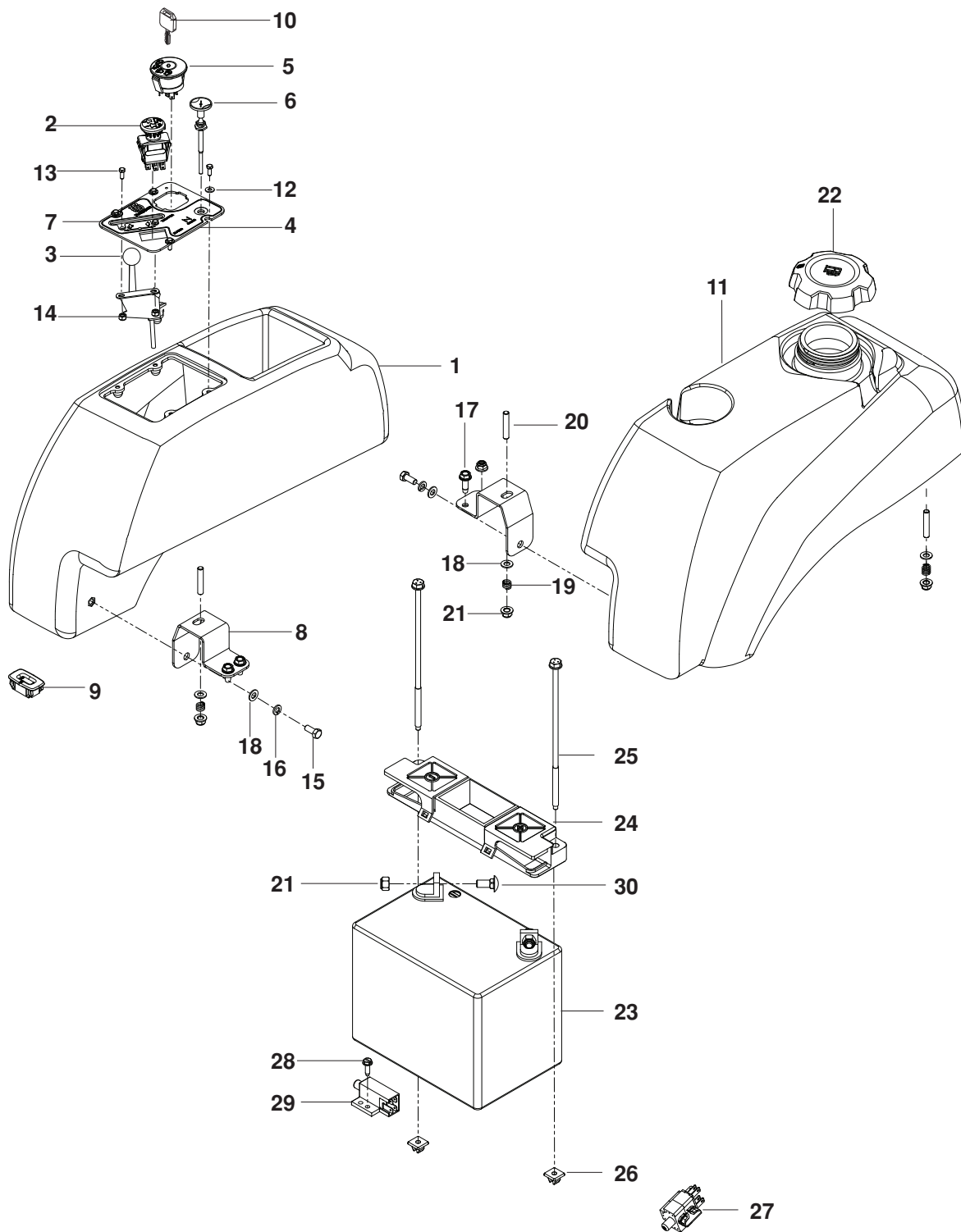


# STEERING

---

ITEM	PART NO.	QTY.	DESCRIPTION	ITEM	PART NO.	QTY.	DESCRIPTION
1..	539 132009....	1	.... LEVER, DRIVE w/ GRIP RT	22..	539 127046....	2	.... NUT M8 x 1.25 STD HEX
2..	539 132010....	1	.... LEVER, DRIVE w/ GRIP LT	23..	539 112899..	20	.... NUT <sup>5</sup> / <sub>16</sub> -18 FLANGE NYLOC
3..	522 773701....	2	.... ARM, PUMP	24..	539 118496....	2	.... NUT M8 NYLOC
4..	539 110604....	1	.... SPHERICAL ROD END LH	25..	539 131780....	8	.... SCREW, HX FLG <sup>5</sup> / <sub>16</sub> -18 x 3 <sup>3</sup> / <sub>4</sub>
5..	539 110603....	1	.... SPHERICAL ROD END RH	26..	539 976935....	4	.... BOLT, HEX <sup>5</sup> / <sub>16</sub> -18 x 1 <sup>1</sup> / <sub>2</sub>
6..	539 131658....	2	.... DAMPENER w/ SPRING	27..	539 132168....	2	.... BUSHING, FLANGED, <sup>5</sup> / <sub>8</sub>
7..	539 132163....	1	.... CONTROL WLDMT, LT	28..	539 132169....	2	.... BUSHING, CLIP <sup>5</sup> / <sub>8</sub>
8..	539 132164....	1	.... CONTROL WLDMT, RT	29..	539 990208....	4	.... BOLT, RD HD <sup>5</sup> / <sub>16</sub> -18 x 1
9..	539 131517....	1	.... BLOCK, UPPER	30..	539 105069....	4	.... E-RING
10..	539 131519....	1	.... BLOCK, LOWER	31..	539 990188....	5	.... WASHER <sup>5</sup> / <sub>16</sub> SAE FLAT
11..	539 110607....	2	.... STUD, 10MM BALL	32..	539 108394....	1	.... BOLT <sup>5</sup> / <sub>16</sub> -18 x 1 <sup>3</sup> / <sub>4</sub> TPBLT
12..	539 131749....	2	.... ROD END	33..	539 108743....	4	.... NUT <sup>5</sup> / <sub>16</sub> -24 CNTRLK
13..	539 131551....	1	.... LINK, MOTION, LT	34..	539 131518....	4	.... BEARING, FLANGE
14..	539 131552....	1	.... LINK, MOTION, RT	35..	539 990669....	2	.... BOLT, HEX <sup>5</sup> / <sub>16</sub> -18 x 1 <sup>3</sup> / <sub>4</sub>
15..	539 130894....	2	.... GRIP, DRIVER LEVER	36..	539 990196....	2	.... NUT <sup>5</sup> / <sub>16</sub> -18 HEX
16..	539 131520....	1	.... PIVOT SECTION, DR CNTRL	37..	539 131550....	1	.... JACK SCREW
17..	539 131521....	2	.... MOUNT, DR CNTRL HANDLE	38..	539 990717....	4	.... NUT <sup>5</sup> / <sub>16</sub> -18 HEX NYLOC
18..	539 131559....	2	.... PIN, SPIRAL, <sup>5</sup> / <sub>32</sub> x 1 <sup>1</sup> / <sub>2</sub>	39..	539 991073....	1	.... NUT <sup>5</sup> / <sub>16</sub> -24 HEX JAM LH
19..	539 131799....	1	.... KNOB	40..	539 990223....	1	.... NUT <sup>5</sup> / <sub>16</sub> -24 HEX
20..	539 101224....	1	.... SPRING	41..	539 133007....	2	.... WASHER .825, WAVE
21..	539 102845....	1	.... SPRING, TANK MOUNT	42..	539 102717....	2	.... SCREW <sup>5</sup> / <sub>16</sub> -18 x <sup>5</sup> / <sub>8</sub> SET

# IGNITION SYSTEM



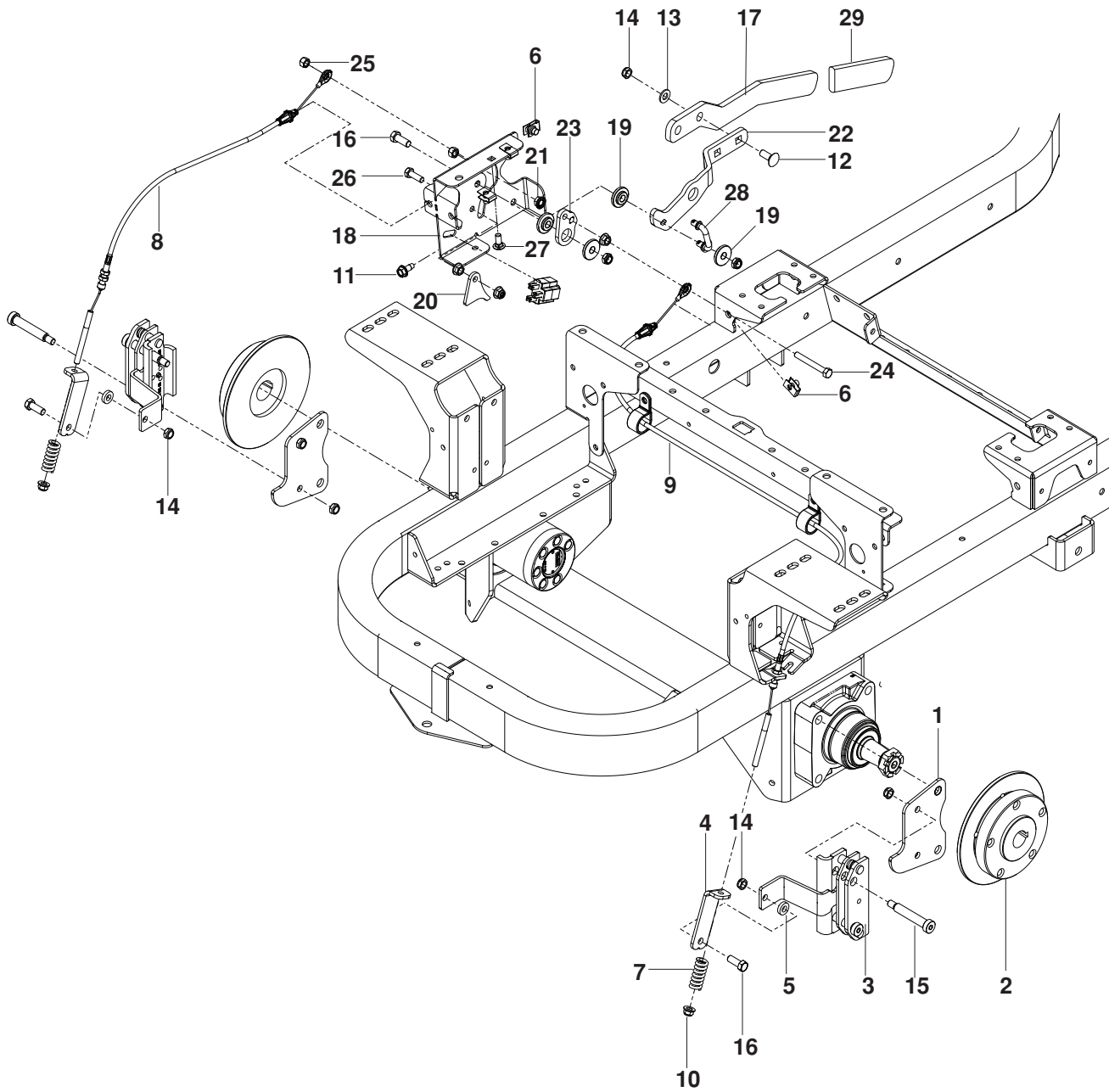
# IGNITION SYSTEM

---

ITEM	PART NO.	QTY.	DESCRIPTION	ITEM	PART NO.	QTY.	DESCRIPTION
1..	539 107593....	1	.... CONSOLE	19..	539 102845....	6	.... SPRING, TANK MOUNT
2..	539 131627....	1	.... SWITCH, PTO 10 AMP	20..	539 102502....	6	.... STUD <sup>5</sup> / <sub>16</sub>
3..	539 112438....	1	.... CABLE, THROTTLE	21..	539 112899....	5	.... NUT <sup>5</sup> / <sub>16</sub> -18 FLANGE NYLOC
4..	539 131721....	1	.... CONSOLE PLATE	22..	539 130393....	1	.... CAP, FUEL
5..	539 107541....	1	.... SWITCH, IGNITION	23..	539 102436....	1	.... BATTERY
6..	539 130207....	1	.... CONTROL, CHOKE	24..	539 107628....	1	.... BATTERY HOLD DOWN
7..	539 132723....	1	.... DECAL, CONSOLE	25..	539 107632....	2	.... BOLT, ¼ x 7½
8..	539 131671....	2	.... SUPPORT, TANK	26..	539 107629....	2	.... NUT ¼ PUSH, NYLON
9..	539 110074....	1	.... HOUR METER	27..	539 101080....	2	.... SWITCH, INTERLOCK
10..	539 107544....	1	.... KEY, IGNITION	28..	539 991034....	2	.... SCREW #10-24 x <sup>5</sup> / <sub>8</sub> WSH HD
11..	539 104409....	1	.... TANK, FUEL	29..	539 113792....	1	.... SWITCH, BRAKE
12..	539 105408....	4	.... WASHER #10 FLAT	30..	539 990316....	2	.... BOLT, <sup>5</sup> / <sub>16</sub> -18 x <sup>3</sup> / <sub>4</sub>
13..	539 990411....	6	.... SCREW #10-24 x ½ SLT HEX	NOT SHOWN			
14..	539 976977....	2	.... NUT #10-24 HEX NYLOC	539 132413....	1	.... POSITIVE CABLE, 46"	
15..	539 976934....	2	.... BOLT, HEX <sup>5</sup> / <sub>16</sub> -18 x <sup>3</sup> / <sub>4</sub>	539 107645....	1	.... NEGATIVE CABLE, 32"	
16..	539 990187....	2	.... WASHER <sup>5</sup> / <sub>16</sub> SLW	521 983101....	1	.... MAIN HARNESS	
17..	539 113226....	4	.... BOLT <sup>5</sup> / <sub>16</sub> -18 x 1 THD FRM	539 976856....	1	.... TIE, PLASTIC	
18..	539 990188....	6	.... WASHER <sup>5</sup> / <sub>16</sub> SAE FLAT				



# PARKING BRAKE

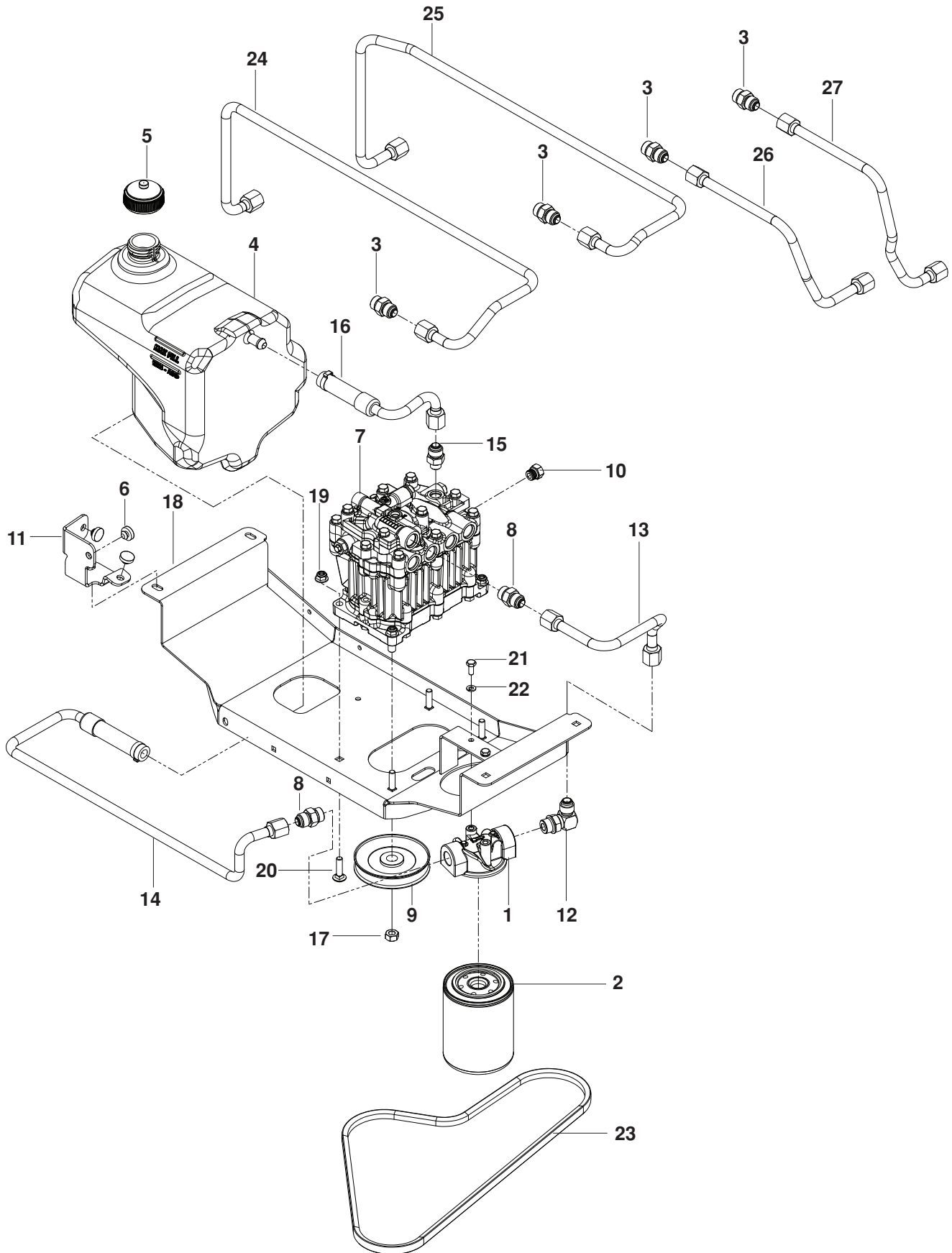


# PARKING BRAKE

---

ITEM	PART NO.	QTY.	DESCRIPTION	ITEM	PART NO.	QTY.	DESCRIPTION
1..	539 131599....2	....	PLATE, BRAKE	17..	539 132151....1	....	ARM, BRAKE
2..	539 131737....2	....	HUB, 5 BOLT	18..	539 132158....1	....	MOUNT, BRAKE WELDMENT
3..	539 131738....2	....	CALIPER, PARK BRAKE	19..	539 132161....4	....	BUSHING, BRAKE
4..	539 132176....3	....	BRACKET, L	20..	539 132154....1	....	ACTUATOR, SWITCH
5..	539 109562....3	....	WASHER $\frac{3}{8}$ x $\frac{3}{4}$ x .187 TK	21..	539 990585....3	....	NUT $\frac{5}{16}$ -18 HEX WHIZLK
6..	539 104763....1	....	RETAINER, U TYPE	22..	539 132423....1	....	LEVER, BRAKE
7..	539 113952....2	....	SPRING	23..	539 132153....1	....	BELLCRAKE, BRAKE
8..	539 132173....1	....	CABLE, BRAKE, SHORT	24..	539 108396....1	....	BOLT, HEX $\frac{5}{16}$ -18 x 2 $\frac{1}{2}$ TPBLT
9..	539 132174....2	....	CABLE, BRAKE, LONG	25..	539 990717....1	....	NUT $\frac{5}{16}$ -18 HEX NYLOC
10..	539 112899....5	....	NUT $\frac{5}{16}$ -18 FLANGE NYLOC	26..	539 990209....2	....	BOLT, HEX $\frac{5}{16}$ -18 x 1
11..	539 107475....3	....	BOLT $\frac{5}{16}$ -18 x $\frac{3}{4}$ THD FRM	27..	539 990316....1	....	BOLT, RD HD $\frac{5}{16}$ -18 x $\frac{3}{4}$
12..	539 990645....2	....	BOLT, RD HD $\frac{3}{8}$ -16 x 1	28..	539 132424....1	....	LINKAGE, BRAKE
13..	539 990122....2	....	WASHER $\frac{3}{8}$ SAE FLT	29..	539 105036....1	....	GRIP, BRAKE HANDLE
14..	539 200282..11	....	NUT $\frac{3}{8}$ -16 HEX JAM NYLOC	NOT SHOWN			
15..	539 113951....4	....	SB $\frac{3}{8}$ -16 x 2 $\frac{1}{2}$ SKT HD	539 976856....2	....	TIE, PLASTIC	
16..	539 990563....5	....	BOLT, HEX $\frac{3}{8}$ -16 x 1				

# HYDRAULIC PUMP-MOTOR



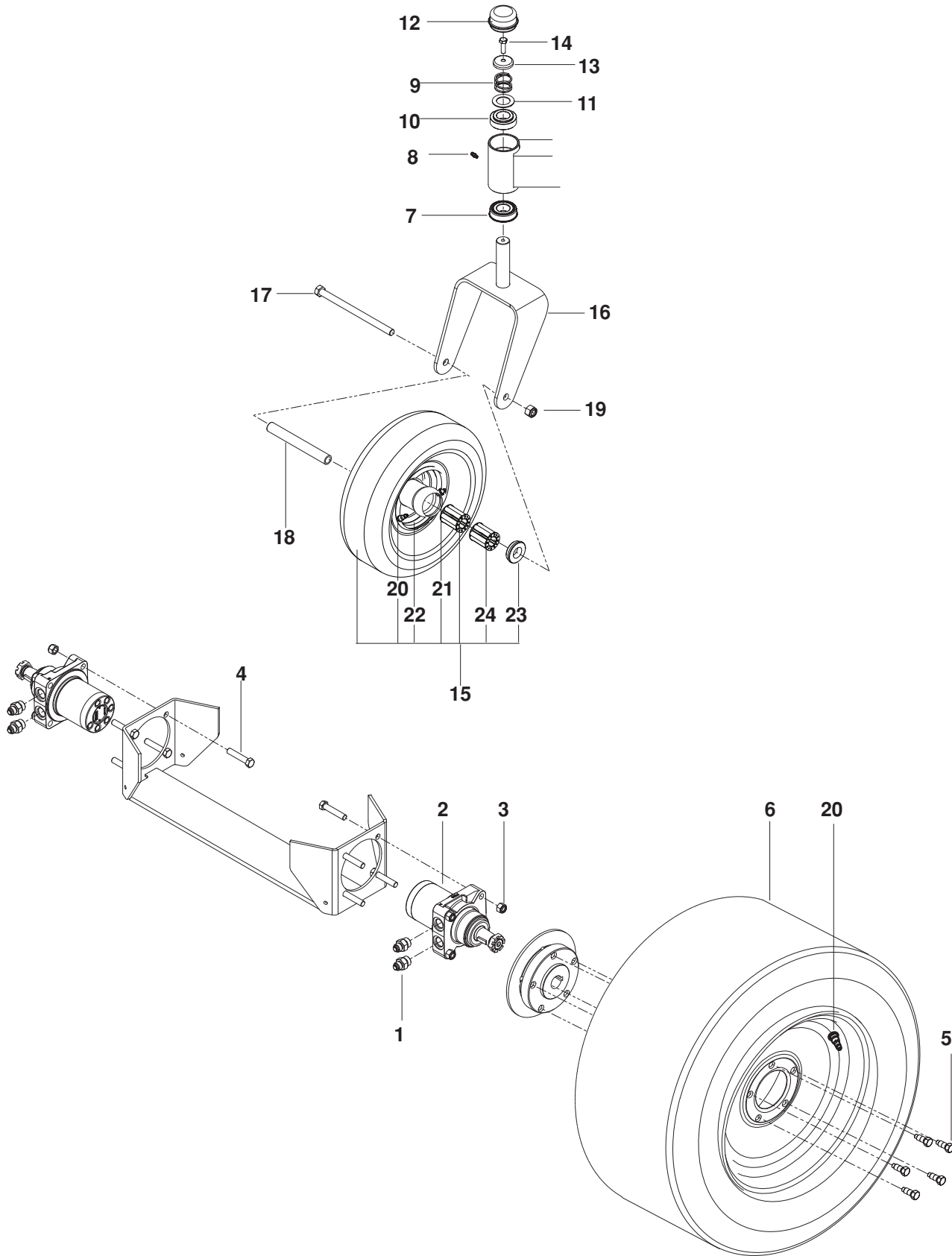
# HYDRAULIC PUMP-MOTOR

---

ITEM	PART NO.	QTY.	DESCRIPTION	ITEM	PART NO.	QTY.	DESCRIPTION
1..	539 105892....	1	.... FILTER HEAD	17..	539 131528....	1	.... NUT M10-1.5 L/H HEX
2..	539 105893....	1	.... FILTER, OIL	18..	539 131773....	1	.... PLATE, PUMP
3..	539 101237....	4	.... STRAIGHT CONNECTOR	19..	539 112899....	4	.... NUT <sup>5</sup> / <sub>16</sub> -18 FLANGE NYLOC
4..	539 131663....	1	.... RESERVOIR	20..	539 100472....	4	.... BOLT, RD HD <sup>5</sup> / <sub>16</sub> -18 x 1 <sup>1</sup> / <sub>4</sub>
5..	539 101202....	1	.... OIL CAP	21..	539 990072....	2	.... BOLT, HEX 1 <sup>1</sup> / <sub>4</sub> -20 x <sup>5</sup> / <sub>8</sub>
6..	539 102587....	3	.... GROMMET, BUMPER	22..	539 990052....	2	.... WASHER 1 <sup>1</sup> / <sub>4</sub> SPLIT LOCK
7..	539 131657....	1	.... PUMP, DUP10S	23..	539 111445....	1	.... BELT, IZT
8..	539 132889....	2	.... FITTING, 10-8 STRAIGHT	24..	539 131531....	1	.... HYDRO LINE
9..	539 131727....	1	.... PULLEY, PUMP	25..	539 131532....	1	.... HYDRO LINE
10..	539 131895....	1	.... PLUG, 6408-6	26..	539 131533....	1	.... HYDRO LINE
11..	539 132417....	1	.... SUPPORT, RESERVOIR	27..	539 131534....	1	.... HYDRO LINE
12..	539 132888....	1	.... ELBOW	NOT SHOWN			
13..	539 132887....	1	.... HYDRO LINE, CHARGE	539 133028....	1	.... SEAL KIT (DUP10S PUMP)	
14..	539 132886....	1	.... HYDRO LINE, INLET	539 133029....	1	.... INPUT SEAL KIT (DUP10S PUMP)	
15..	539 131748....	1	.... FITTING, HYDRO				
16..	539 131529....	1	.... HYDRO LINE, CASE				

# WHEELS AND TIRES

Prior to Serial #095106013



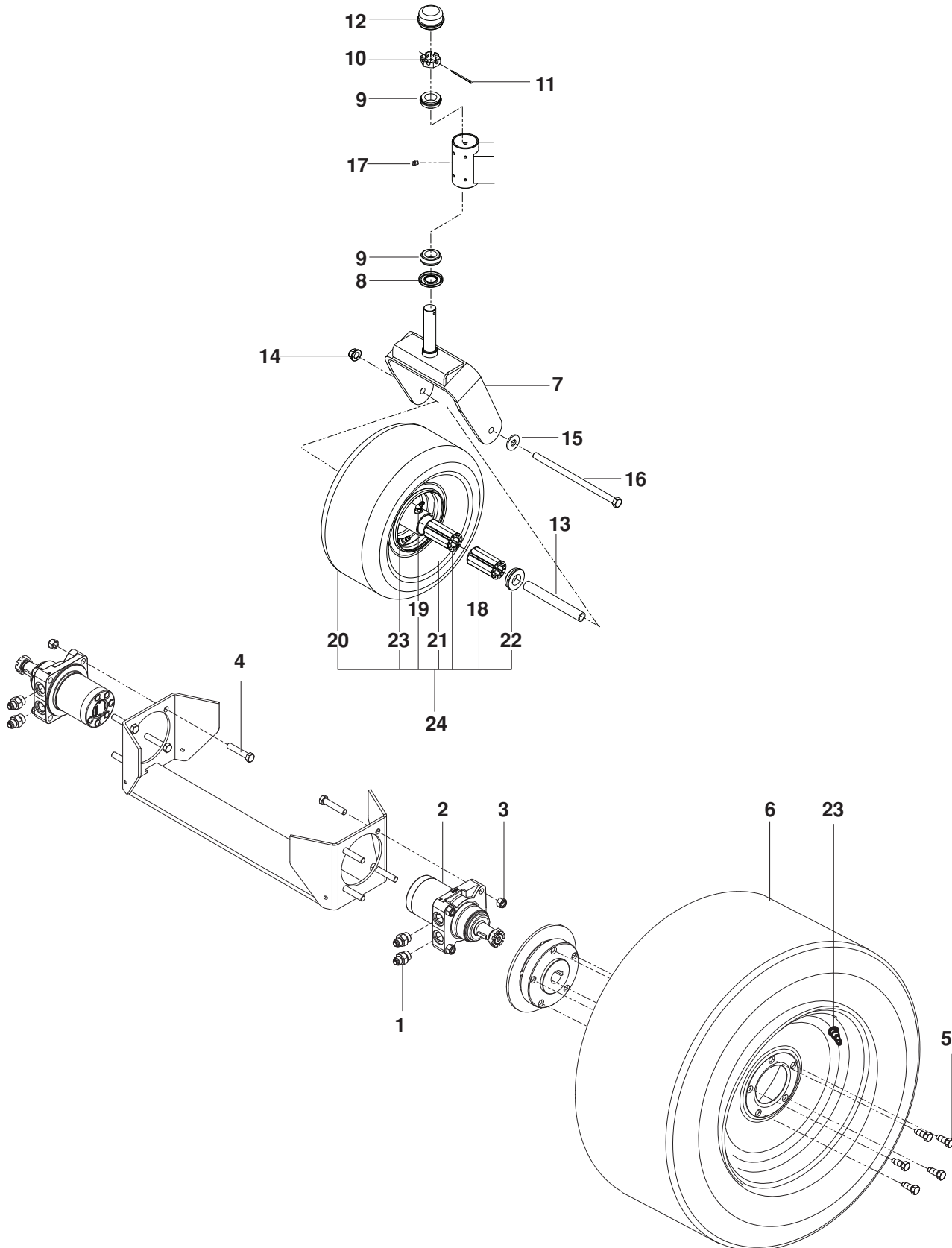
# WHEELS AND TIRES

---

ITEM	PART NO.	QTY.	DESCRIPTION	ITEM	PART NO.	QTY.	DESCRIPTION
1..	539 101239....4	....	STRAIGHT CONNECTOR	13..	539 115749....2	....	PLUG, CASTER
2..	539 114523....2	....	WHEEL MOTOR, TJ	14..	539 990209....2	....	BOLT, HEX <sup>5</sup> / <sub>16</sub> -18 x 1
3..	539 101331....8	....	NUT <sup>1</sup> / <sub>2</sub> HEX NYLOC	15..	539 104572....2	....	TIRE ASSEMBLY
4..	539 101332....8	....	BOLT, HEX <sup>1</sup> / <sub>2</sub> -13 x 2 <sup>3</sup> / <sub>4</sub>	16..	539 131674....2	....	YOKE, CASTER
5..	532 140080..10	....	BOLT, HUB	17..	539 102855....2	....	BOLT, HEX <sup>1</sup> / <sub>2</sub> -13 x 7 <sup>1</sup> / <sub>2</sub>
6..	532 140556....2	....	TIRE, 23 x 10.50	18..	539 102856....2	....	SPACER
7..	539 112660....2	....	BEARING, FLANGED	19..	539 101331....2	....	NUT <sup>1</sup> / <sub>2</sub> HEX NYLOC
8..	539 115638....2	....	<sup>3</sup> / <sub>16</sub> " DRIVE ZERK	20..	539 912234....4	....	AIR VALVE
9..	539 115747....2	....	SPRING, CASTER	21..	539 976997....2	....	ZERK
10..	539 117901....2	....	BUSHING, CASTER	22..	539 104573....2	....	RIM
11..	539 115675....2	....	WASHER	23..	539 102484....4	....	ENDCAP
12..	539 102535....2	....	CAP, GREASE	24..	539 102485....4	....	ROLLER BEARING

# WHEELS AND TIRES

For Serial # 095106013 and after



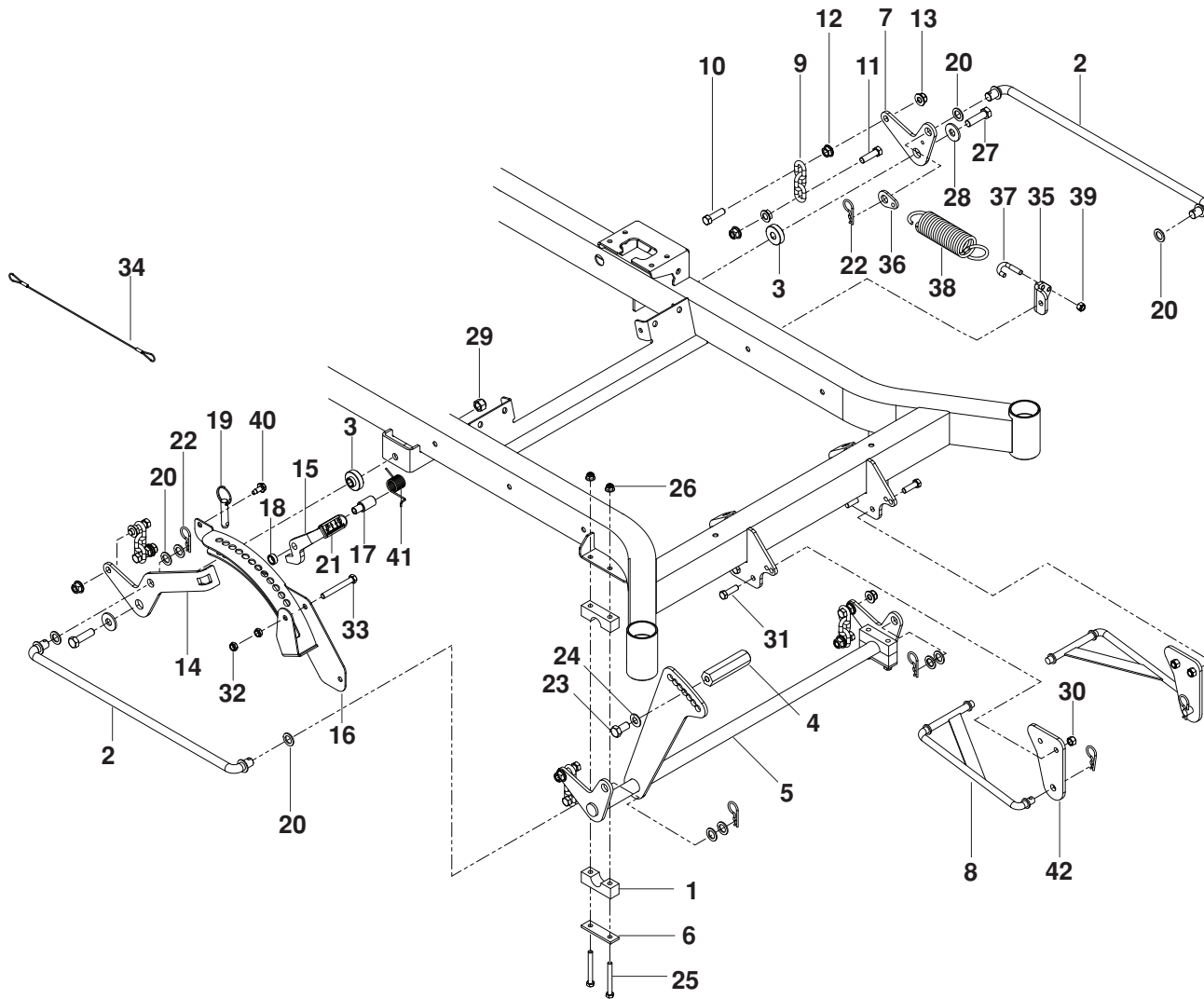
# WHEELS AND TIRES

---

ITEM	PART NO.	QTY.	DESCRIPTION	ITEM	PART NO.	QTY.	DESCRIPTION
1..	539 101239....	4	.... STRAIGHT CONNECTOR	13..	575 334901....	2	.... SPACER, PIVOT
2..	539 114523....	2	.... WHEEL MOTOR, TJ	14..	521 991101 ...	2	.... NUT ½-13 HEX FLG NYLOC
3..	539 101331....	8	.... NUT ½ HEX NYLOC	15..	539 109554....	2	.... WASHER ½ FLAT ZD
4..	539 101332....	8	.... BOLT, HEX ½-13 x 2¾	16..	539 105517....	2	.... HCS ½-13 x 9½
5..	532 140080..	10	.... BOLT, HUB	17..	539 101474....	2	.... ZERK
6..	532 140556....	2	.... TIRE, 23 x 10.50	18..	539 105307....	4	.... CAGE BEARING 3¼
7..	575 329202....	2	.... YOKE, CASTER	19..	539 103300....	2	.... ZERK
8..	539 102851....	2	.... SEAL	20..	575 622201....	2	.... TIRE, 13 x 6.5
9..	539 102543....	4	.... BEARING	21..	575 622101....	2	.... RIM, CASTER TIRE
10..	539 102852....	2	.... SLOTTED JAM NUT 1"-14	22..	539 102484....	4	.... ENDCAP
11..	539 102889....	2	.... COTTER PIN 1/8 x 2	23..	539 912234....	4	.... AIR VALVE
12..	539 102535....	2	.... CAP, GREASE	24..	575 348701....	2	.... CASTER TIRE ASSY



# MOWER LIFT / DECK LIFT

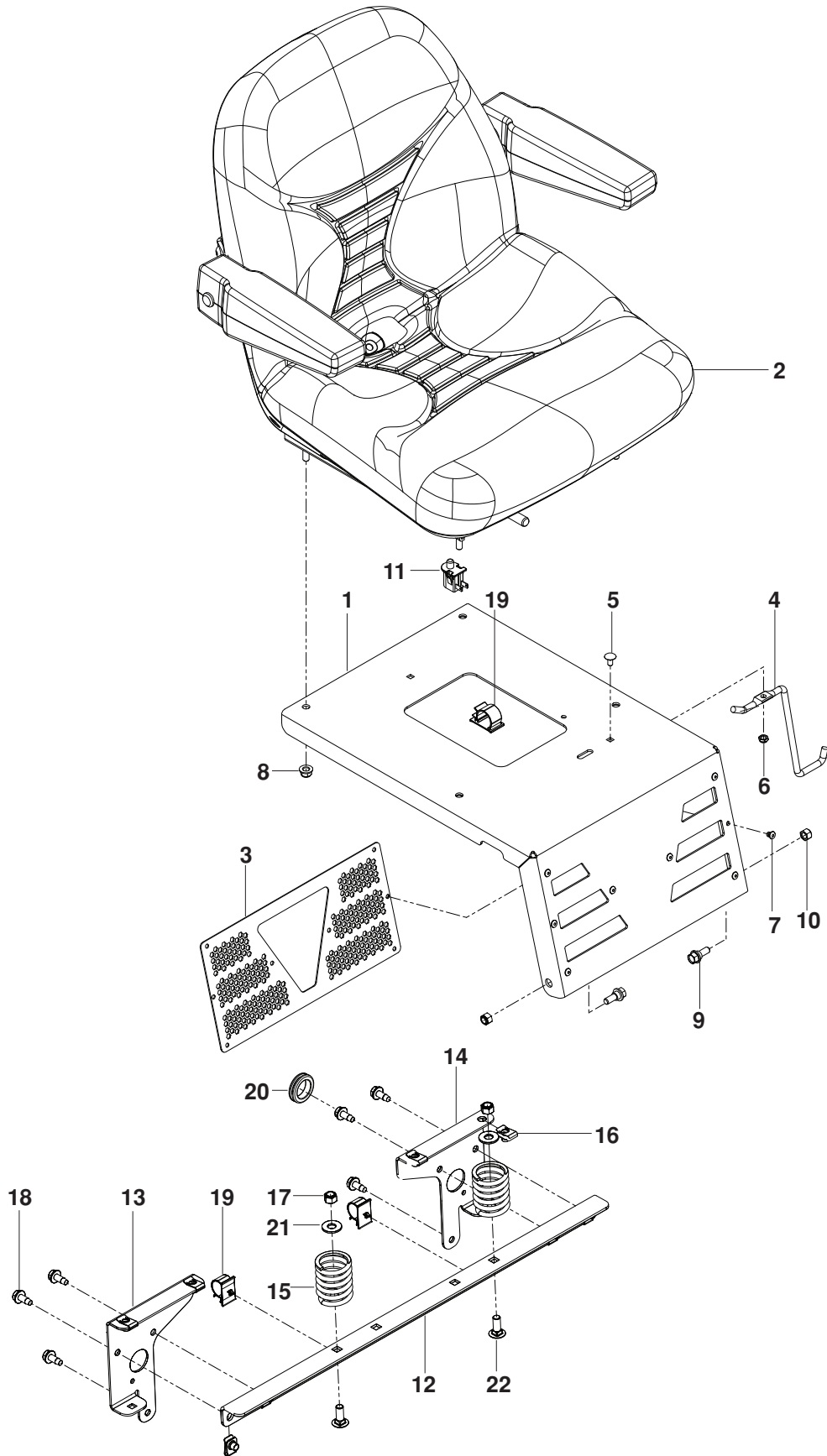


## MOWER LIFT / DECK LIFT

---

ITEM	PART NO.	QTY.	DESCRIPTION	ITEM	PART NO.	QTY.	DESCRIPTION
1..	539 104808....	4	....PILLOW BLOCK	22..	539 115501....	6	.... PIN, COTTER 1¾
2..	539 110808....	2	.... DECK LIFT LINK	23..	539 990646....	1	.... BOLT, HEX ½-13 x 1¾
3..	539 118937....	2	.... SPACER, IDLER	24..	539 102843....	1	.... WASHER 7/16" SPRING
4..	539 131556....	1	.... PEDAL, FOOT, HEX	25..	539 101721....	4	.... BOLT, HEX 5/16-18 x 2¾
5..	539 131558....	1	.... SHAFT, FRONT-LIFT	26..	539 112899....	5	.... NUT 5/16-18 FLANGE NYLOC
6..	539 104807....	2	.... REINFORCEMENT BAR	27..	539 108181....	2	.... BOLT, HEX ½-13 x 1¾ GR 8
7..	539 131897....	1	.... BELLCRANK, RR, LIFT	28..	539 109554....	2	.... WASHER ½ FLAT
8..	539 112223....	2	.... STRUT LINKAGE	29..	539 101331....	2	.... NUT ½ HEX NYLOC
9..	539 109693....	4	.... LIFT CHAIN-3 LINK	30..	539 976979....	4	.... NUT ¾-16 HEX NYLOC
10..	539 101175....	4	.... BOLT, HEX 7/16-14 x 1½	31..	539 976941....	4	.... BOLT, HEX ¾-16 x 1¼
11..	539 108073....	4	.... BOLT, HEX 7/16-14 x 1¾	32..	539 200282....	2	.... NUT ¾-16 HEX JAM NYLOC
12..	539 102582....	8	.... NUT 7/16-14 HEX WHIZ LK	33..	539 101341....	1	.... BOLT, HEX ¾-16 x 3
13..	539 132019....	8	.... NUT 7/16-14 HEX WHIZ LK	34..	539 105059....	1	.... LANYARD
14..	539 131853....	1	.... BELLCRANK, RR, RT	35..	539 131791....	1	.... MOUNT, SPRING
15..	539 131566....	1	.... LATCH, TRANSPORT	36..	539 131792....	1	.... TAB, SPRING
16..	539 131850....	1	.... HEIGHT, ADJUST, DECK	37..	539 112896....	1	.... J-BOLT
17..	539 131860....	1	.... PIVOT, LATCH, TRANSPORT	38..	539 102642....	1	.... SPRING, DECK BELTS
18..	539 131861....	1	.... SPACER	39..	539 990717....	1	.... NUT 5/16-18 HEX NYLOC
19..	539 132182....	1	.... PIN ½ x 1½ DETENT RING	40..	539 107475....	1	.... BOLT 5/16-18 x ¾ THD FRM
20..	539 991043..	10	.... BUSHING .625	41..	539 132734....	1	.... SPRING, TORSION
21..	539 132851....	1	.... GRIP	42..	539 132017....	2	.... MOUNT, STRUT

# SEAT

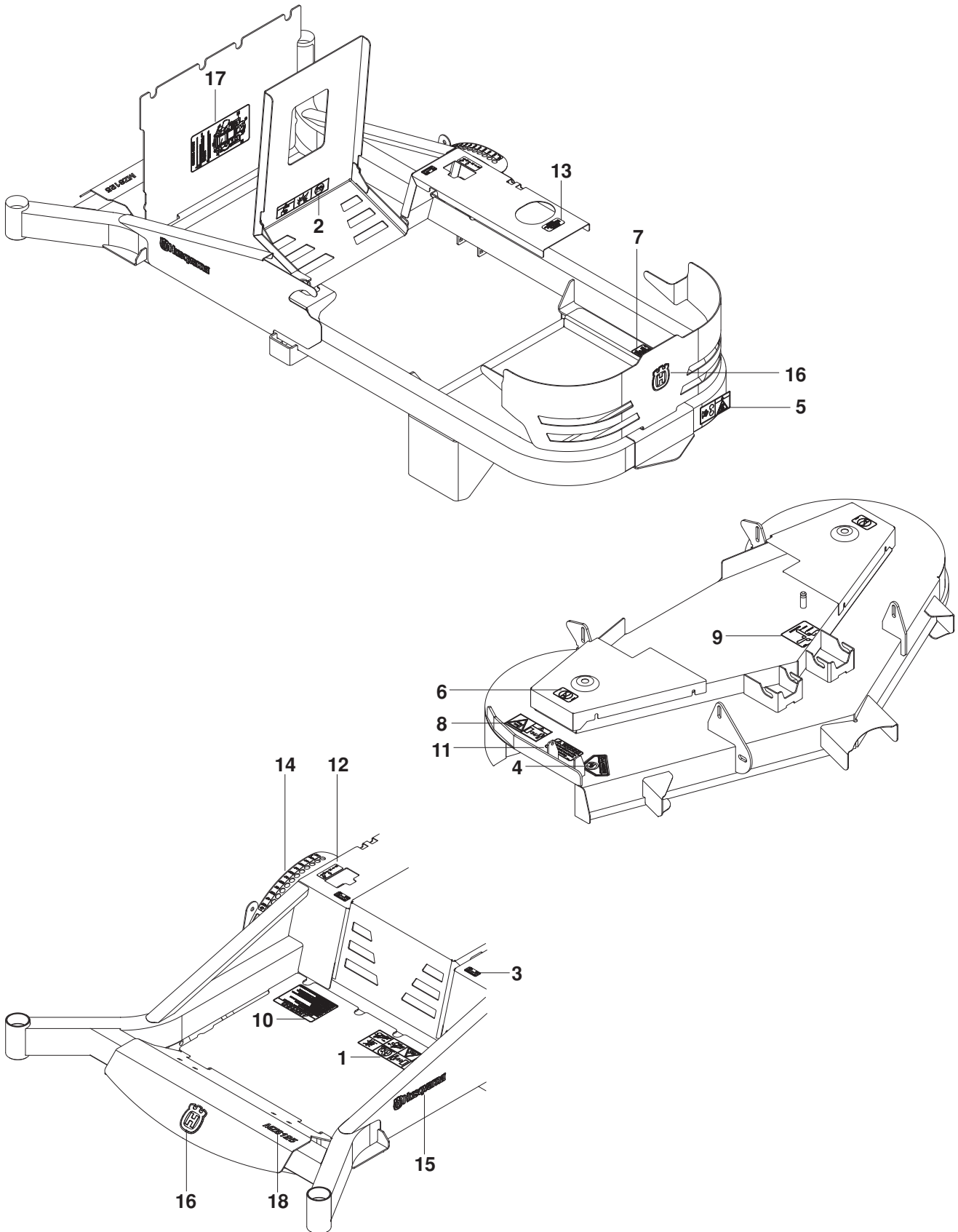


# SEAT

---

ITEM	PART NO.	QTY.	DESCRIPTION	ITEM	PART NO.	QTY.	DESCRIPTION
1..	539 132745....	1	MOUNT, w/ SAFETY DECAL	12..	539 131656....	1	SUPPORT, SEAT
2..	539 130873....	1	SEAT	13..	539 131778....	1	SUPPORT, LT
3..	539 131763....	1	PANEL, HEX	14..	539 131779....	1	SUPPORT, RT
4..	539 131899....	1	STOP, SEAT, FORWARD	15..	539 110300....	2	SPRING, SEAT
5..	539 111777....	1	RHSSNB 1/4-20 x 1/2	16..	539 104763....	8	RETAINER, U TYPE
6..	539 108120....	1	NUT 1/4-20 HEX THIN NYLOC	17..	539 976979....	2	NUT 3/8-16 HEX NYLOC
7..	539 132894....	8	RIVET, 3/16, GRIP	18..	539 107475....	6	BOLT 5/16-18 x 3/4 THD FRM
8..	539 112899....	4	NUT 5/16-18 FLANGE NYLOC	19..	539 110815....	3	WIRE CLIP, PUSH MOUNT
9..	539 130896....	2	BOLT 5/16-18 HEX HD	20..	539 105974....	1	RUBBER GROMMET
10..	539 990717....	2	NUT 5/16-18 HEX NYLOC	21..	539 990517....	2	WASHER 3/8 FLAT STD
11..	539 119741....	1	SWITCH, SEAT	22..	539 990645....	2	BOLT, RD HD 3/8-16 x 1

# DECALS



# DECALS

---

ITEM	PART NO.	QTY.	DESCRIPTION	ITEM	PART NO.	QTY.	DESCRIPTION
1..	539 107959 ...	1	...DECAL, WARNING	10..	539 113213 ...	1	...DECAL, WARNING
2..	539 105745 ...	1	...DECAL, BATTERY WARNING	11..	539 113224 ...	1	...DECAL, WARNING
3..	539 103333 ...	2	...DECAL, MOTION CONTROL	12..	539 110974 ...	2	...DECAL, F.S.T
4..	539 913010 ...	1	...DECAL, CPSC	13..	539 132186 ...	1	...DECAL, OIL TANK
5..	539 105744 ...	1	...DECAL, DANGER BLT DRIVE	14..	539 132039 ...	1	...DECAL, HEIGHT ADJUST
6..	539 105743 ...	2	...DECAL, NO STEP	15..	532 422012 ...	2	....DECAL, HUSQVARNA
7..	539 101881 ...	1	...DECAL, PROP 65	16..	532 422011 ...	2	...DECAL, CROWN H
8..	539 105746 ...	1	...DECAL, SEVERING	17..	539 132187 ...	1	...DECAL, SERVICE
9..	539 132040 ...	1	...DECAL, BELT ROUTING	18..	521 988001....	1	....DECAL, M5226
	539 112620....	1	.... DECAL, BELT ROUTING MODEL 966999781		539 132026....	1	.... DECAL, M6125