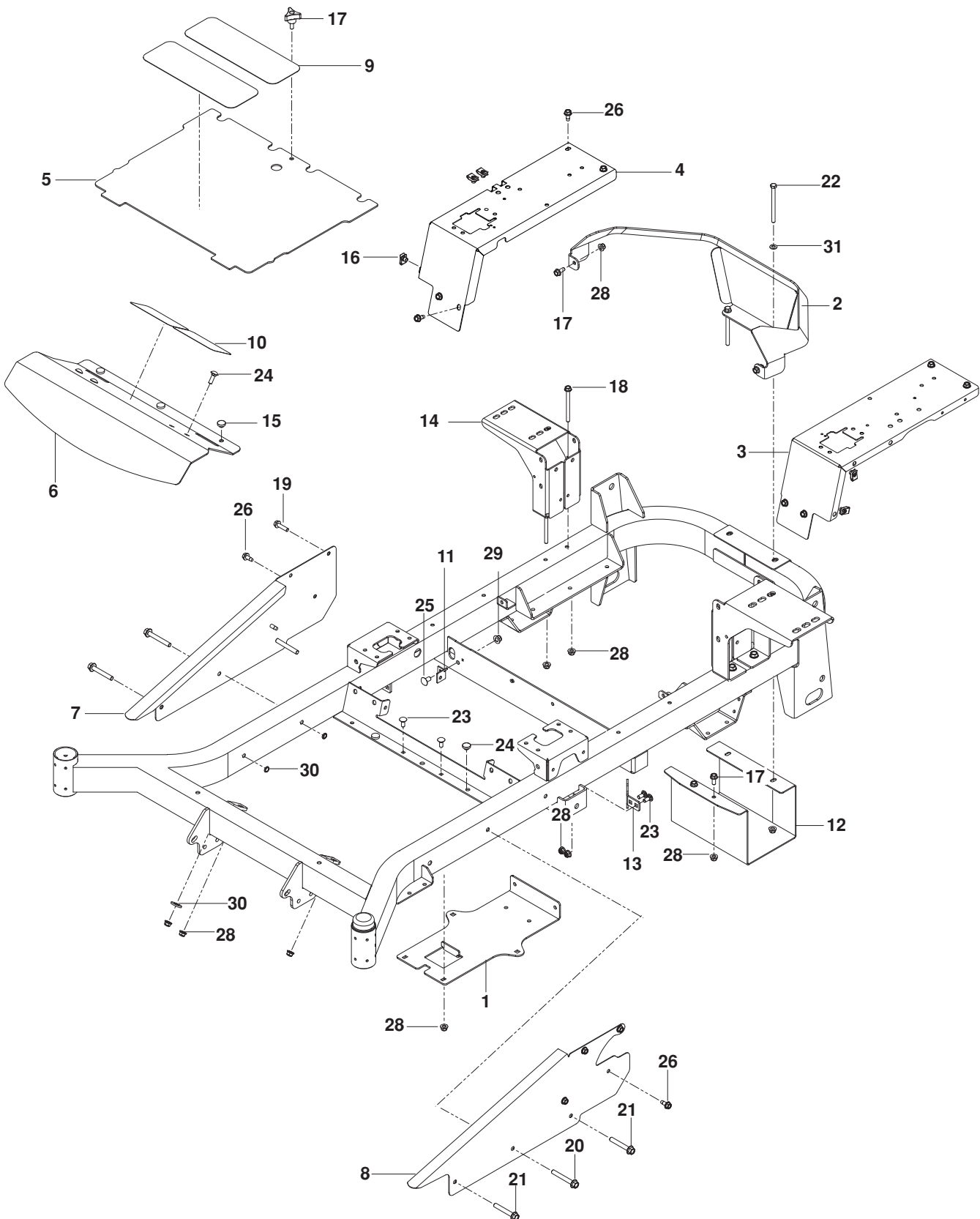


# FRAME



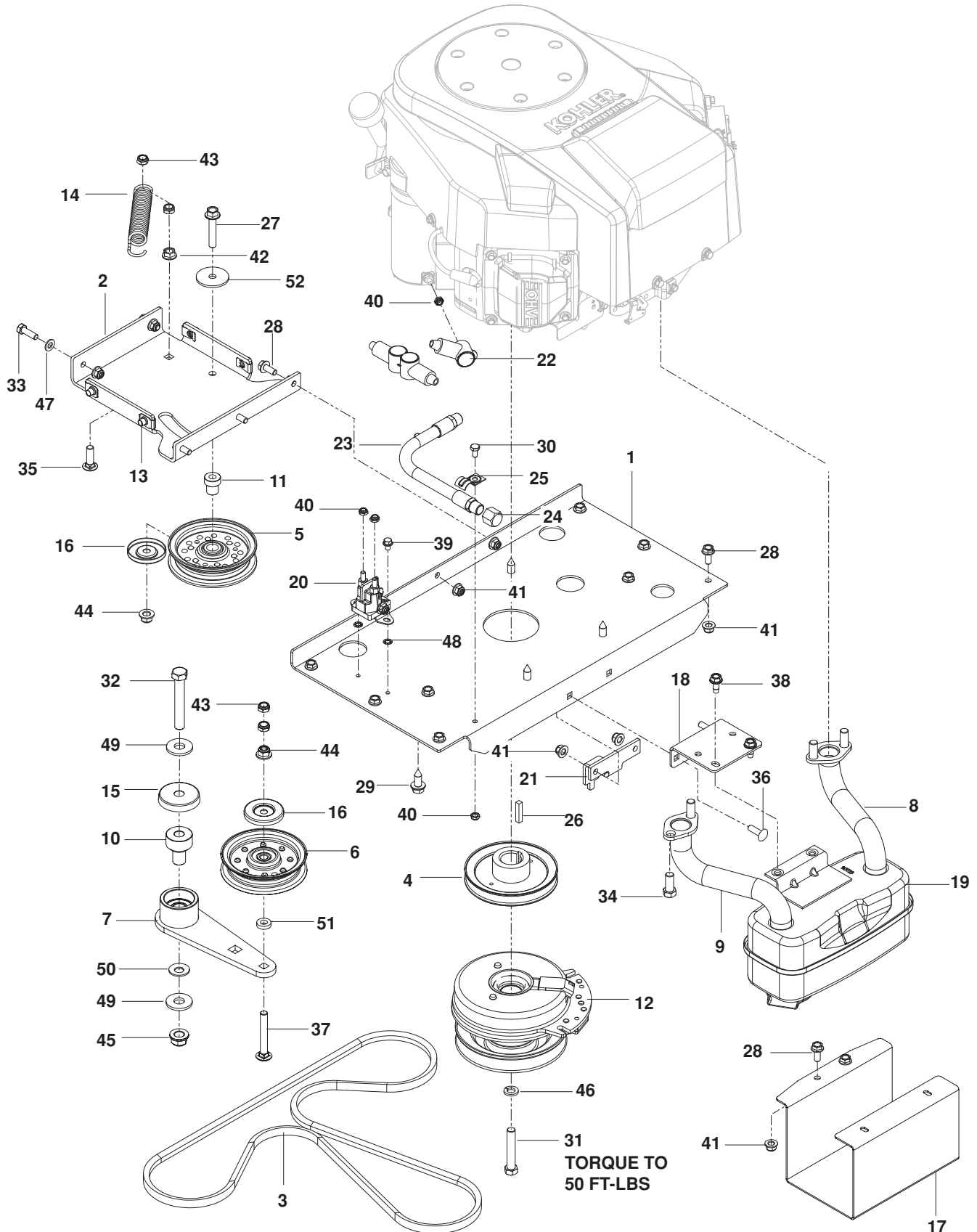
# FRAME

---

ITEM	PART NO.	QTY.	DESCRIPTION	ITEM	PART NO.	QTY.	DESCRIPTION
1..	575 017202....1	....	PLATE, BATTERY, BLK	17..	525 464701....5	....	HHFS $\frac{5}{16}$ -18 x $\frac{3}{4}$
2..	575 348402....1	....	GUARD, REAR GRY	18..	539 131780....4	....	HHFS $\frac{5}{16}$ -18 x $3\frac{3}{4}$
3..	577 256802....1	....	PANEL, LT ORG	19..	525 544001....1	....	HHFS $\frac{5}{16}$ -18 x $1\frac{1}{4}$ TPBLT
4..	577 256902....1	....	PANEL, RT ORG	20..	539 131781....2	....	HHFS $\frac{3}{8}$ -16 x $2\frac{3}{4}$
5..	539 132744....1	....	PLATE w/ SAFTY DECAL ORG	21..	539 133006....4	....	HHFS $\frac{3}{8}$ -16 x $2\frac{1}{2}$
6..	539 132380....1	....	PLATE, FOOTREST ORG	22..	539 102335....3	....	HCS $\frac{5}{16}$ -18 x 4
7..	539 131579....1	....	SIDE, RT ORG	23..	539 990316....6	....	RHSNB $\frac{5}{16}$ -18 x $\frac{3}{4}$
8..	539 131577....1	....	SIDE, LT ORG	24..	539 990208....3	....	RHSNB $\frac{5}{16}$ -18 x 1
9..	539 977778....2	....	PAD, ABRASIVE LG	25..	539 109117....2	....	RHSNB $\frac{3}{8}$ -16 x $\frac{3}{4}$
10..	539 121322....2	....	PAD, ABRASIVE SM	26..	539 107475..12	....	BOLT $\frac{5}{16}$ -18 x $\frac{3}{4}$ THD FRM
11..	575 245202....2	....	BRACKET, DAMPENER	27..	539 200282....6	....	NUT $\frac{3}{8}$ -16 HEX JAM NYLOC
12..	575 230402....1	....	SHIELD, MUFFLER BLK	28..	539 112899....6	....	NUT $\frac{5}{16}$ -18 HEX FLANGE NYL
13..	505 256401....2	....	STOP, DECK	29..	521 996501....2	....	NUT $\frac{3}{8}$ -16 HEX FLG NYLOC
14..	575 533602....2	....	MOUNT, TANK BLK	30..	539 990250....1	....	WASHER
15..	539 102587....5	....	BUMPER	31..	539 990188....2	....	WASHER $\frac{5}{16}$ SAE FLAT
16..	539 104763....8	....	RETAINER, U TYPE $\frac{5}{16}$ -18				

# ENGINE PLATE

966690501

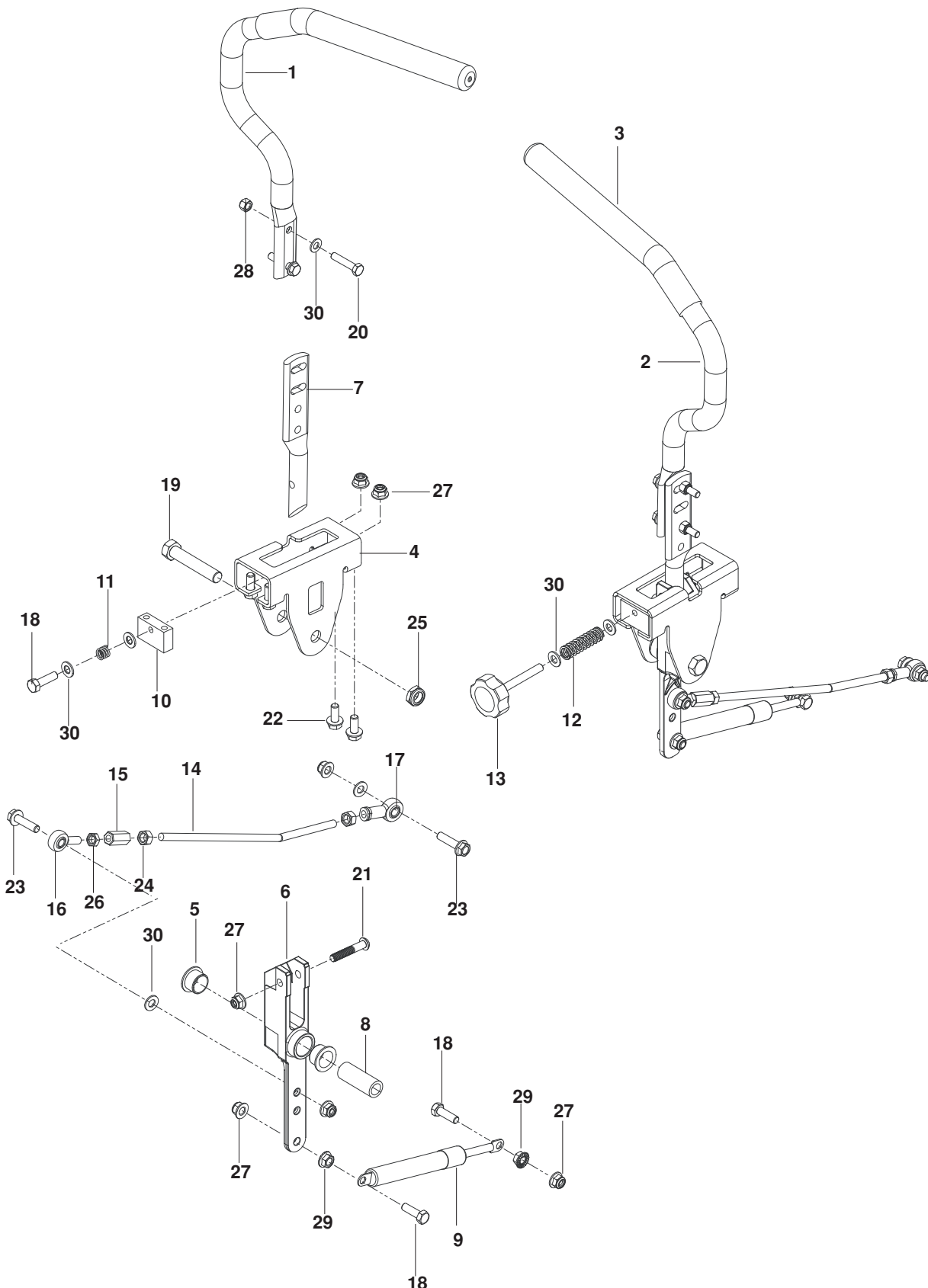


# ENGINE PLATE

---

ITEM	PART NO.	QTY.	DESCRIPTION	ITEM	PART NO.	QTY.	DESCRIPTION
1..	574 846302....	1	.... PLATE, ENGINE	29..	532 120616....	4	.... HHFS $\frac{3}{8}$ -16 x 1 THD FRM
2..	574 846402....	1	.... PLATE, IDLER SUPPORT BLK	30..	539 990071....	1	.... HCS $\frac{1}{4}$ -20 x $\frac{1}{2}$
3..	574 870901....	1	.... BELT, HYDRO	31..	539 991120....	1	.... HCS $\frac{7}{16}$ -20 x $2\frac{1}{2}$
4..	574 811001....	1	.... PULLEY	32..	539 103433....	1	.... HCS $\frac{1}{2}$ -13 x $3\frac{1}{4}$
5..	539 976688....	1	.... PULLEY, IDLER	33..	539 990209....	2	.... HCS $\frac{5}{16}$ -18 x 1
6..	539 107620....	1	.... PULLEY, IDLER SECONDARY	34..	539 976934....	4	.... HCS $\frac{5}{16}$ -18 x $\frac{3}{4}$
7..	510 041603....	1	.... ARM, IDLER w/ BEARINGS	35..	539 100413....	1	.... RHSNB $\frac{3}{8}$ -16 x $1\frac{1}{4}$
8..	532 146699....	1	.... EXHAUST TUBE, RT	36..	539 107271....	2	.... RHSNB $\frac{5}{16}$ -18 x 1
9..	532 146700....	1	.... EXHAUST TUBE, LT	37..	539 130235....	1	.... RHSNB $\frac{3}{8}$ -16 x $2\frac{3}{4}$
10..	510 206301....	1	.... PIVOT, BEARING	38..	539 107475....	2	.... BOLT $\frac{5}{16}$ -18 x $\frac{3}{4}$ THD FRM
11..	525 435601....	1	.... PIVOT, IDLER	39..	539 990302....	2	.... SCREW $\frac{1}{4}$ -20 x $\frac{3}{8}$ THD FRM
12..	574 607001....	1	.... CLUTCH	40..	539 108120....	4	.... NUT $\frac{1}{4}$ -20 THIN NYLOC
13..	539 104763....	4	.... RETAINER, U TYPE	41..	539 112899..	15	.... NUT $\frac{5}{16}$ -18 HEX FLG NYLOC
14..	510 254401....	1	.... SPRING, PUMP	42..	539 990613....	1	.... NUT $\frac{3}{8}$ -16 WHIZLK
15..	539 114662....	1	.... SHIELD, DUST	43..	539 200282....	4	.... NUT $\frac{3}{8}$ -16, JAM NYLOC
16..	510 254501....	2	.... SHIELD, DUST	44..	521 996501....	2	.... NUT $\frac{3}{8}$ -16 FLG NYLOC
17..	575 230402....	1	.... SHIELD, MUFFLER	45..	521 991101....	1	.... NUT $\frac{1}{2}$ -13 FLG NYLOC
18..	575 229902....	1	.... BRACKET, MUFFLER	46..	539 990247....	1	.... WASHER $\frac{7}{16}$ SLW
19..	539 131604....	1	.... MUFFLER	47..	539 990188....	2	.... WASHER $\frac{5}{16}$ SAE
20..	539 101714....	1	.... SOLENOID	48..	539 990053....	2	.... WASHER $\frac{1}{4}$ INT TOOTH LK
21..	575 017302....	1	.... STOP, CLUTCH	49..	539 109554....	2	.... WASHER $\frac{1}{2}$
22..	539 102759....	3	.... INSULATOR	50..	539 115528....	1	.... WASHER $\frac{1}{2}$ BELLEVILLE
23..	539 101362....	1	.... HOSE, DRAIN	51..	539 109562....	1	.... WASHER $\frac{3}{8}$
24..	539 101364....	1	.... PLUG, OIL	52..	539 111897....	1	.... WASHER $\frac{3}{8}$ SPECIAL
25..	539 101363....	1	.... CLAMP	NOT SHOWN			
26..	539 912757....	1	.... KEY $\frac{1}{4}$ SQ x $1\frac{1}{4}$	539 102757....	1	.... CABLE, POSITIVE	
27..	525 866201....	1	.... HHFS $\frac{3}{8}$ -16 x 2	539 107516....	1	.... PIGTAIL	
28..	525 464701..	13	.... HHFS $\frac{5}{16}$ -18 x $\frac{3}{4}$				

# STEERING



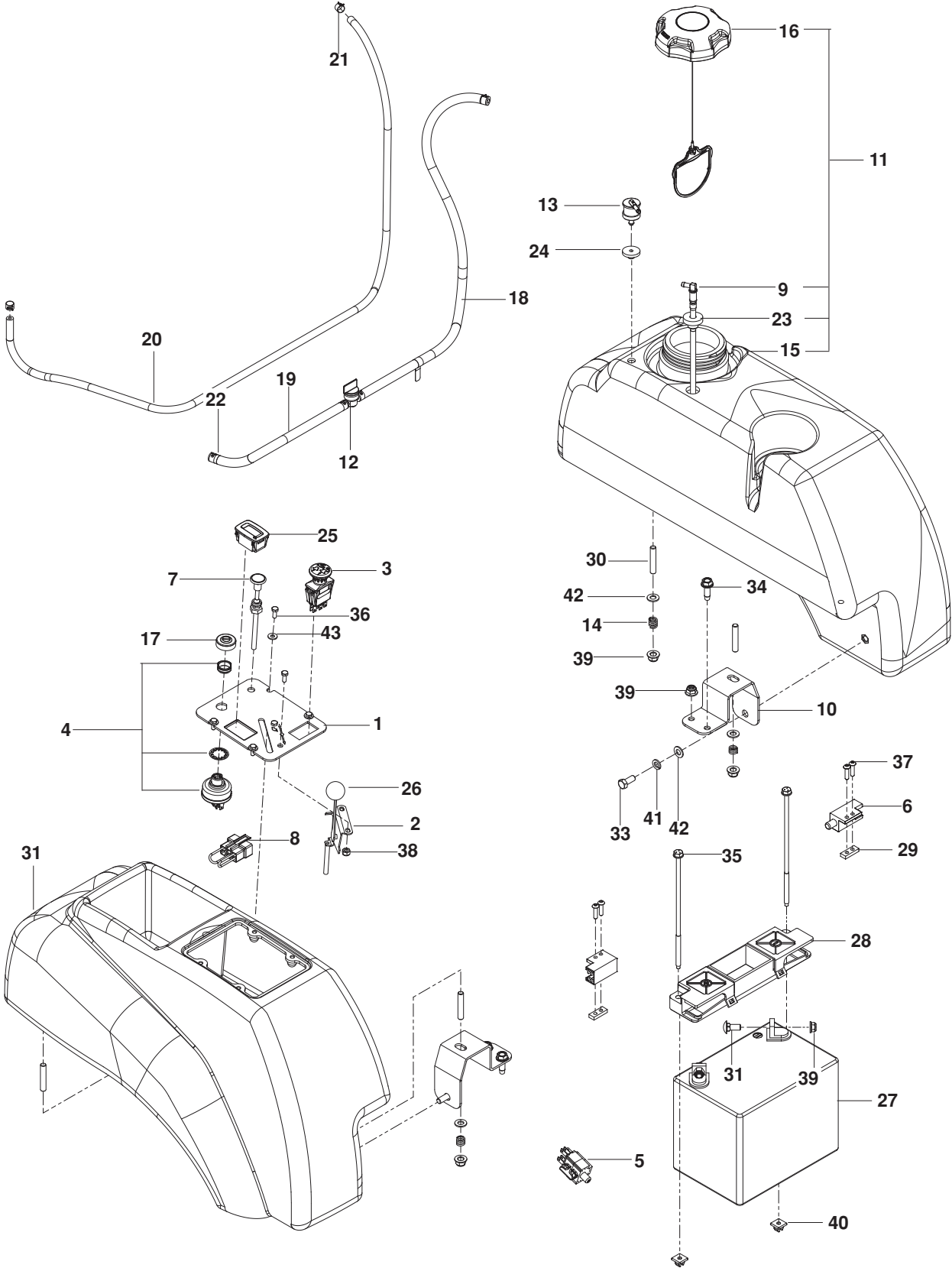
# STEERING

---

ITEM	PART NO.	QTY.	DESCRIPTION	ITEM	PART NO.	QTY.	DESCRIPTION
1..	539 132009....	1	LEVER w/ GRIP RT	16..	539 115729....	2	ROD END RT
2..	539 132010....	1	LEVER w/ GRIP LT	17..	539 116690....	2	ROD END LT
3..	539 130894....	2	GRIP, FOAM	18..	539 990627....	5	HCS $\frac{5}{16}$ -18 x $1\frac{1}{4}$
4..	577 251701....	2	BRACKET, CONTROL	19..	539 101332....	2	HCS $\frac{1}{2}$ -13 x $2\frac{3}{4}$
5..	539 131518....	4	BEARING, FLANGE	20..	539 976935....	4	HCS $\frac{5}{16}$ -18 x $1\frac{1}{2}$
6..	576 140301....	2	LEVER, CONTROL	21..	576 850402....	2	SCREW $\frac{5}{16}$ -18 X $1\frac{3}{4}$ BTN HD
7..	577 420001....	2	LEVER, HANDLE	22..	525 464701....	8	HHFS $\frac{5}{16}$ -18 X $\frac{3}{4}$
8..	577 252401....	2	SPACER, PIVOT CONTROL	23..	525 544001....	4	HHFS $\frac{5}{16}$ -18 x $1\frac{1}{4}$ TPBLT
9..	539 102720....	2	DAMPENER	24..	539 990223....	4	NUT $\frac{5}{16}$ -24 HEX
10..	577 251801	2	BLOCK, TRACKING	25..	539 108010....	2	NUT $\frac{1}{2}$ -13 HEX JAM NYL GR2
11..	539 102845....	1	SPRING	26..	539 991073....	2	NUT $\frac{5}{16}$ -24 HEX JAM LH
12..	576 850301....	1	SPRING	27..	539 112899..	10	NUT $\frac{5}{16}$ -18 HEX FLG NYLOC
13..	539 131799....	1	KNOB	28..	539 990717....	6	NUT $\frac{5}{16}$ -18 HEX NYLOC
14..	574 811401....	2	ROD, MOTION CONTROL	29..	539 990585....	4	NUT $\frac{5}{16}$ -18 HEX WHIZLK
15..	539 116689....	2	COUPLER, ROD END	30..	539 990188..	12	WASHER $\frac{5}{16}$ SAE FLT

# IGNITION

966690501



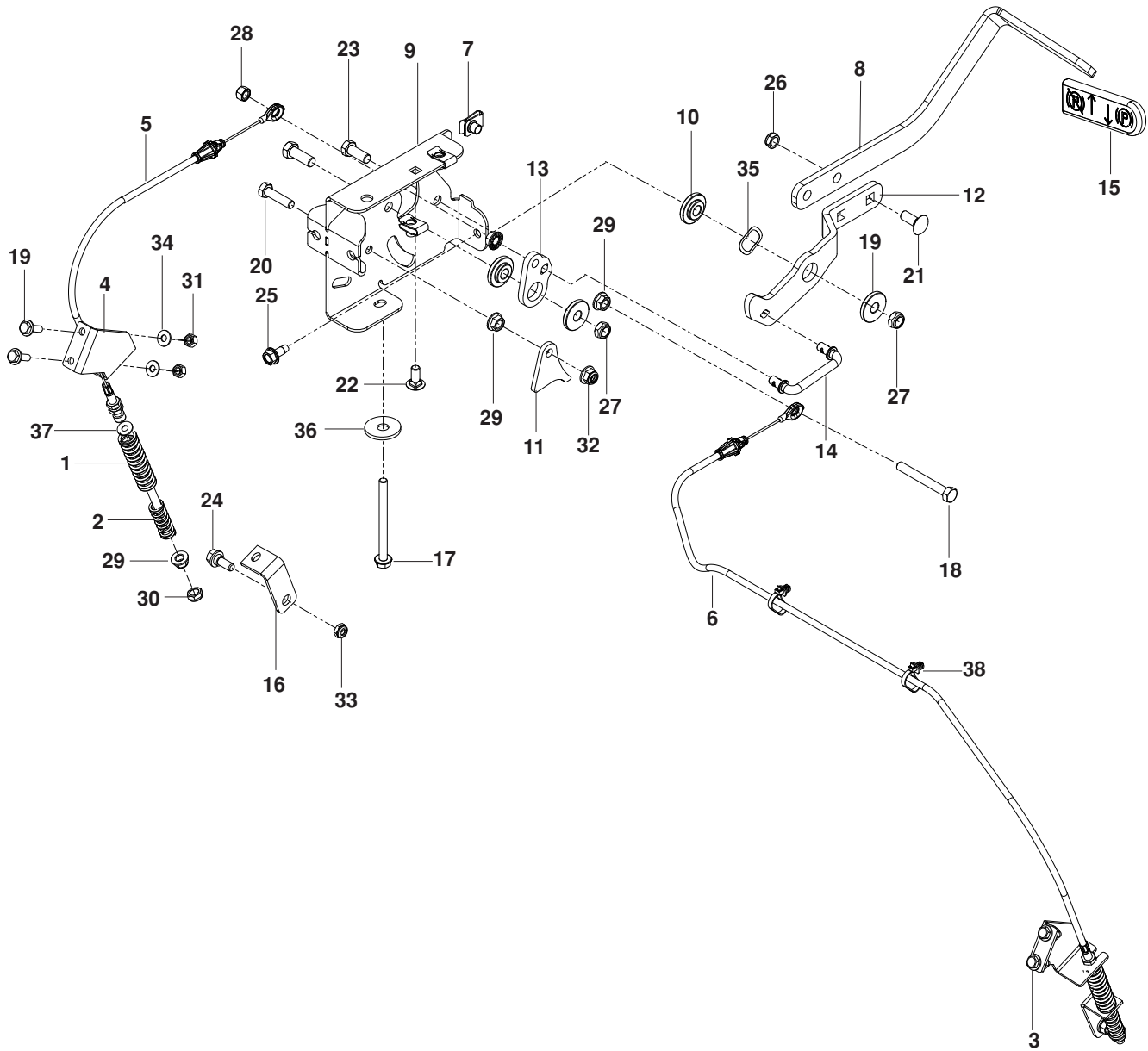
# IGNITION

---

ITEM	PART NO.	QTY.	DESCRIPTION	ITEM	PART NO.	QTY.	DESCRIPTION
1..	574 841204....	1	.... PLATE, CONSOLE, BLK	26..	539 133049....	1	.... KNOB
2..	539 102732....	1	.... CABLE, THROTTLE	27..	539 102436....	1	.... BATTERY
3..	539 131627....	1	.... SWITCH, PTO 10 AMP	28..	539 107628....	1	.... BATTERY HOLD DOWN
4..	574 455401....	1	.... SWITCH, IGNITION	29..	539 102678....	2	.... PLATE, TAPPED
5..	539 113792....	1	.... SWITCH, BRAKE	30..	539 102502....	6	.... STUD <sup>5</sup> / <sub>16</sub> -18
6..	539 101080....	2	.... SWITCH, INTERLOCK	31..	539 107593....	1	.... CONSOLE, RT
7..	539 113458....	1	.... CHOKE CONTROL	32..	539 990316....	2	.... RHSNB <sup>5</sup> / <sub>16</sub> -18 x <sup>3</sup> / <sub>4</sub>
8..	575 321001....	1	.... PLUG, TIMER	33..	539 976934....	2	.... HCS <sup>5</sup> / <sub>16</sub> -18 x <sup>3</sup> / <sub>4</sub>
9..	576 469201....	1	.... FITTING, FUEL	34..	539 113226....	3	.... BOLT <sup>5</sup> / <sub>16</sub> -18 x 1 THD FRM
10..	539 131671....	2	.... SUPPORT, TANK, BLK	35..	539 107632....	2	.... BOLT <sup>1</sup> / <sub>4</sub> x 7 <sup>1</sup> / <sub>2</sub>
11..	576 370102....	1	.... TANK ASSY LT	36..	539 990411....	6	.... SCREW #10-24 x <sup>1</sup> / <sub>2</sub> SLT
12..	539 916325....	1	.... VALVE, FUEL	37..	574 822701....	4	.... SCREW #10-24 x <sup>3</sup> / <sub>4</sub> SKT HD
13..	576 618101....	1	.... VALVE, FUEL CHECK	38..	539 976977....	2	.... NUT #10-24 NYLOC
14..	539 102845....	6	.... SPRING	39..	539 112899....	12	.... NUT <sup>5</sup> / <sub>16</sub> -18 HEX FLANGE NYL
15..	576 370101....	1	.... TANK, FUEL LT	40..	539 107629....	2	.... NUT <sup>1</sup> / <sub>4</sub> PUSH NYLON
16..	575 018101....	1	.... FUEL CAP w /TETHER	41..	539 990187....	2	.... WASHER <sup>5</sup> / <sub>16</sub> SLW
17..	539 103178....	1	.... CAP, IGNITION SWITCH NUT	42..	539 990188....	8	.... WASHER <sup>5</sup> / <sub>16</sub> SAE
18..	539 107765....	1	.... HOSE, FUEL	43..	539 105408....	4	.... WASHER #10
19..	539 932956....	1	.... HOSE, FUEL 10"	NOT SHOWN			
20..	576 660602....	1	.... HOSE <sup>3</sup> / <sub>16</sub> VAPOR 48"	539 104974....	1	.... POSITIVE CABLE	
21..	575 436501....	2	.... CLAMP, HOSE	539 107645....	1	.... NEGATIVE CABLE	
22..	539 912222....	4	.... CLAMP, HOSE	575 320901....	1	.... MAIN HARNESS	
23..	539 105245....	1	.... GROMMET, RUBBER	539 976856....	8	.... WIRE TIE	
24..	576 618201....	1	.... GROMMET, CHECK VALVE	574 455501....	1	.... KEY, IGNITION	
25..	576 179401....	1	.... HOUR METER				



# PARKING BRAKE

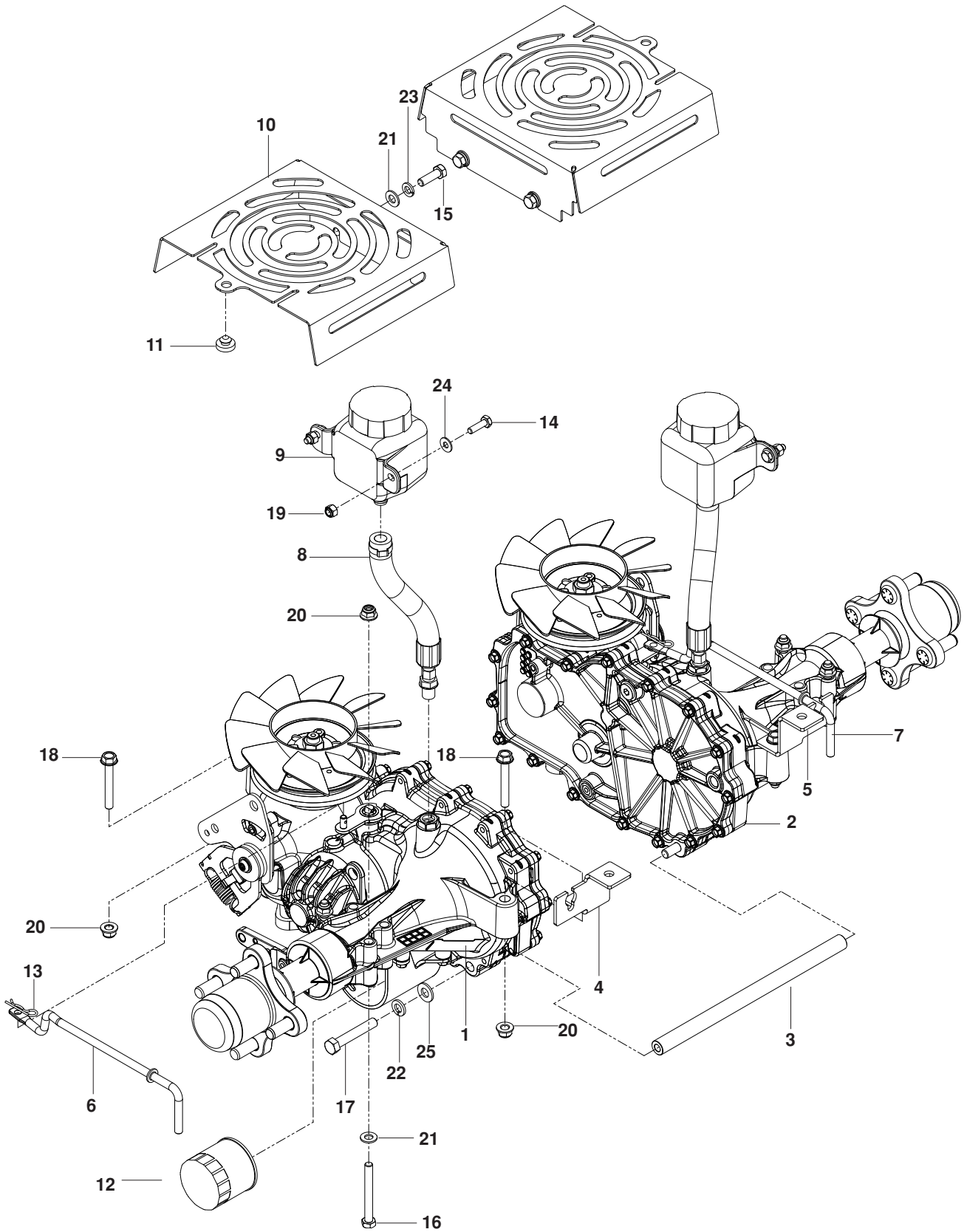


# PARKING BRAKE

---

ITEM	PART NO.	QTY.	DESCRIPTION	ITEM	PART NO.	QTY.	DESCRIPTION
1..	575 230201....	2	.... SPRING, RETURN	20..	539 990209....	1	.... HCS $\frac{5}{16}$ -18 x 1
2..	575 230301....	2	.... SPRING, ENGAGEMENT	21..	539 990645....	2	.... RHSNB $\frac{3}{8}$ -16 x 1
3..	575 229602....	1	.... BRACKET, RT	22..	539 990316....	1	.... RHSNB $\frac{5}{16}$ -18 x $\frac{3}{4}$
4..	575 229702....	1	.... BRACKET, LT	23..	539 990563....	2	.... BOLT $\frac{3}{8}$ -16 x 1 HEX
5..	539 132173....	1	.... CABLE, BRAKE, SHORT	24..	539 110303....	2	.... BOLT $\frac{5}{16}$ SHOULDER
6..	539 132174....	2	.... CABLE, BRAKE, LONG	25..	539 107475....	1	.... BOLT $\frac{5}{16}$ -18 x $\frac{3}{4}$ THD FRM
7..	539 104763....	3	.... RETAINER, U TYPE $\frac{5}{16}$ -18	26..	521 996501....	2	.... NUT $\frac{3}{8}$ -16 HEX FLG NYLOC
8..	539 132151....	1	.... ARM, BRAKE	27..	539 200282....	2	.... NUT $\frac{3}{8}$ -16 HEX JAM NYLOC
9..	539 132158....	1	.... MOUNT, BRAKE	28..	539 990717....	1	.... NUT $\frac{5}{16}$ -18 HEX NYLOC
10..	539 132161....	4	.... BUSHING, BRAKE	29..	539 990585....	5	.... NUT $\frac{5}{16}$ -18 HEX WHIZLK
11..	539 132154....	1	.... ACTUATOR, SWITCH	30..	539 107897....	2	.... NUT $\frac{5}{16}$ -18 JAM
12..	539 132423....	1	.... LEVER, BRAKE	31..	539 976978....	4	.... NUT $\frac{1}{4}$ -20 HEX NYLOC
13..	539 132153....	1	.... BELLCRANK, BRAKE	32..	539 112899....	2	.... NUT $\frac{5}{16}$ -18 HEX FLANGE NYL
14..	539 132424....	1	.... LINKAGE, BRAKE	33..	539 115617....	2	.... NUT $\frac{5}{16}$ HEX NYLOC
15..	539 105036....	1	.... GRIP, BRAKE HANDLE	34..	539 990055....	4	.... WASHER $\frac{1}{4}$ FLAT SAE
16..	575 229802....	2	.... BRACKET, BRAKE	35..	539 133007....	2	.... WASHER .825 WAVE
17..	539 131780....	1	.... HHFS $\frac{5}{16}$ -18 x $3\frac{3}{4}$	36..	539 109554....	1	.... WASHER $\frac{1}{2}$ FLAT
18..	539 108396....	1	.... HCS $\frac{5}{16}$ -18 x $2\frac{1}{2}$ TPBLT	37..	539 990122....	2	.... WASHER $\frac{3}{8}$ SAE
19..	539 990643....	4	.... HCS $\frac{1}{4}$ -20 x $\frac{7}{8}$	38..	505 280001....	2	.... TIE w/ CLIP

# HYDRAULIC PUMP-MOTOR

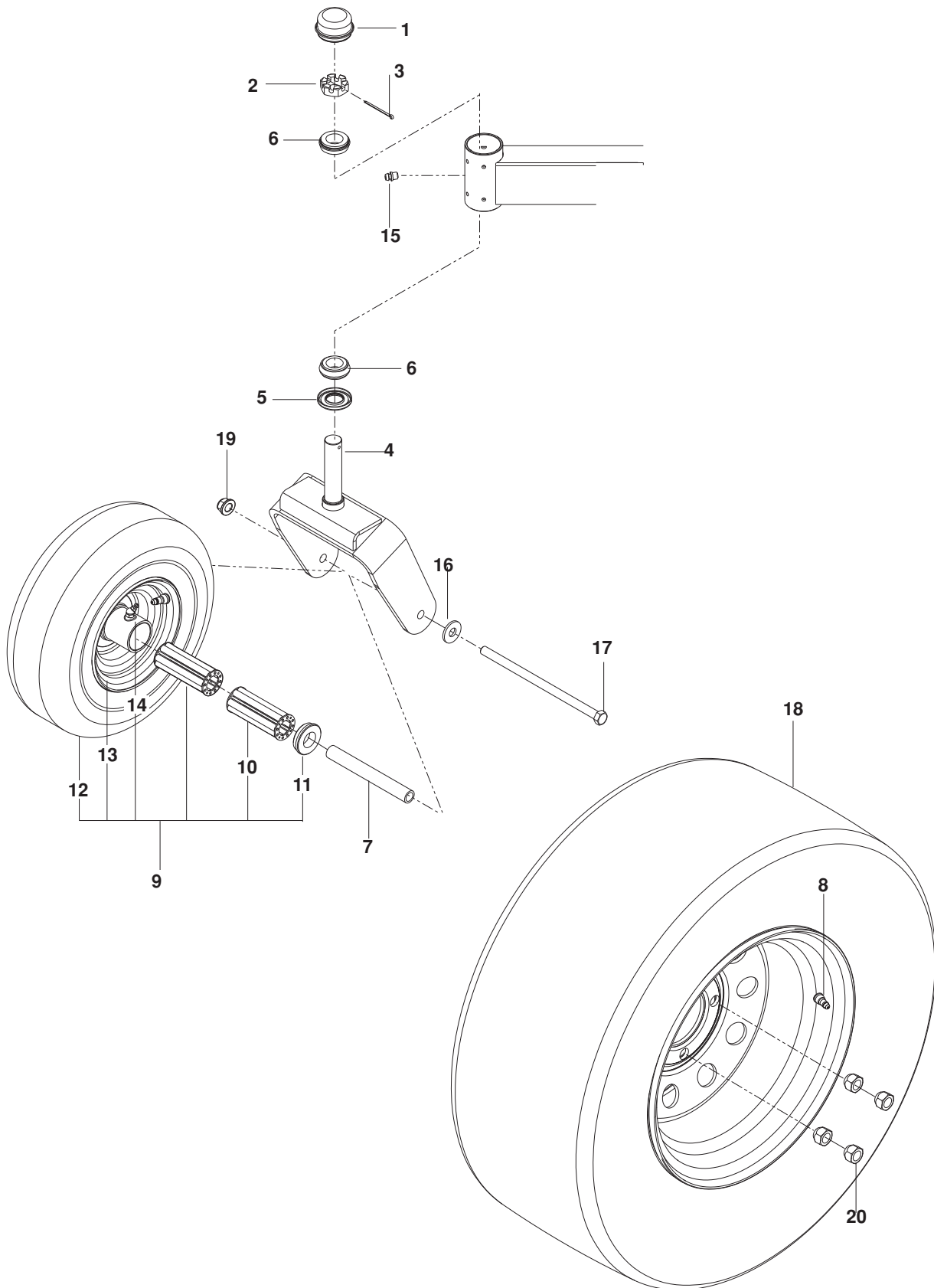


# HYDRAULIC PUMP-MOTOR

---

ITEM	PART NO.	QTY.	DESCRIPTION	ITEM	PART NO.	QTY.	DESCRIPTION
1..	574 569101....	1	.... TRANS, ZT-3400, LT	14..	539 990643....	4	.... HCS 1/4-20 x 7/8
2..	574 569102....	1	.... TRANS, ZT-3400, RT	15..	539 990209....	4	.... HCS 5/16-18 x 1
3..	574 868501....	1	.... TUBE, SPACER, 3400	16..	539 101721....	4	.... HCS 5/16-18 x 2 3/4
4..	575 017102....	1	.... BRACKET, TRANS, LT	17..	539 108551....	2	.... HCS 3/8-16 x 2 1/2 GR8
5..	575 017002....	1	.... BRACKET, TRANS, RT	18..	574 233801....	4	.... HHFS 5/16-18 x 2 1/4
6..	539 131616....	1	.... LINKAGE, LEFT BYPASS	19..	539 976978....	4	.... NUT 1/4-20 HEX NYLOC
7..	539 131618....	1	.... LINKAGE, RIGHT BYPASS	20..	539 112899....	8	.... NUT 5/16-18 HEX FLANGE NYL
8..	574 892101....	2	.... HOSE, EXPANSION	21..	539 990188....	8	.... WASHER 5/16 SAE FLAT
9..	574 811301....	2	.... TANK, EXPANSION	22..	539 990118....	2	.... WASHER 3/8 SPLT LK
10..	575 778202....	2	.... COVER, FAN	23..	539 990187....	4	.... WASHER 5/16 SLW
11..	539 102587....	2	.... BUMPER	24..	539 990055....	4	.... WASHER 1/4 FLAT SAE
12..	539 113466....	2	.... FILTER, HYDRO	25..	539 990122....	2	.... WASHER 3/8 SAE FLT
13..	539 976988....	2	.... HAIRPIN COTTER				

# WHEELS

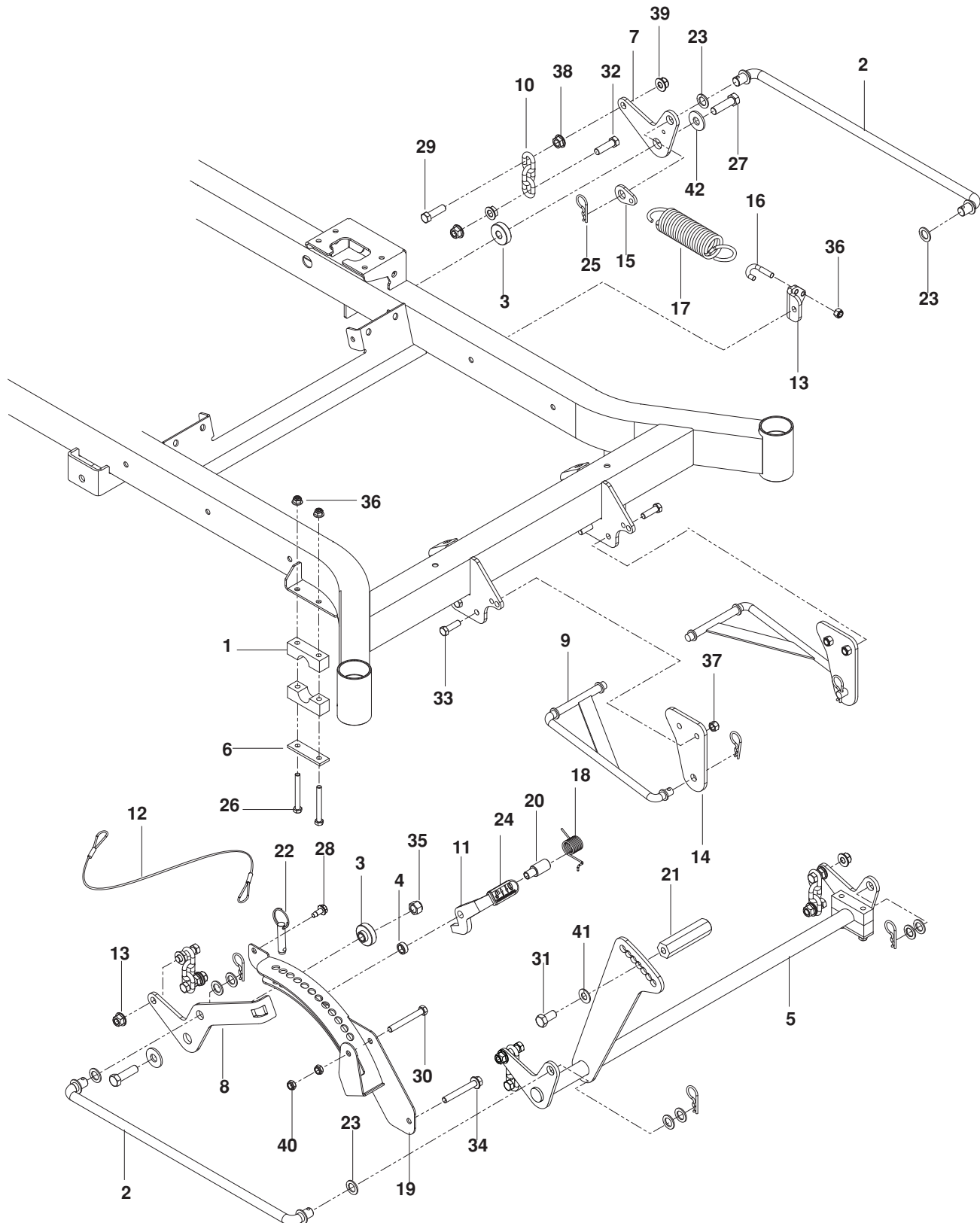


# WHEELS

---

ITEM	PART NO.	QTY.	DESCRIPTION	ITEM	PART NO.	QTY.	DESCRIPTION
1..	539 102535....2	....	CAP, GREASE	13..	575 622101....2	....	RIM, CASTER TIRE
2..	539 102852....2	....	SLOTTED JAM NUT 1"-14	14..	539 103300....2	....	ZERK
3..	539 102889....2	....	COTTER PIN 1/8 x 2	15..	539 101474....2	....	ZERK
4..	575 329202....2	....	YOKE, CASTER, ORG	16..	539 109554....2	....	WASHER 1/2 FLAT
5..	539 102851....2	....	SEAL	17..	539 105517....2	....	HCS 1/2-13 x 9 1/2
6..	539 102543....4	....	BEARING	18..	532 108881....2	....	WHEEL ASSY, 23 x 10.5-12 966613102 , 966613102
7..	575 334901....2	....	SPACER, PIVOT		521 964101....2	....	WHEEL ASSY, 23 x 9.5-12 966690501
8..	539 912234....2	....	AIR VALVE	19..	521 991101 ...2	....	NUT 1/2-13 HEX FLG NYLOC
9..	575 348701....2	....	WHEEL ASSY 13 x 6.5	20..	539 101173....8	....	NUT 1/2-20 LUG
10..	539 105307....4	....	BEARING 3 3/4 CAGE				
11..	539 102484....4	....	BEARING, FLANGED				
12..	575 622201....2	....	TIRE 13 x 6.5				

# MOWER LIFT / DECK LIFT



# MOWER LIFT / DECK LIFT

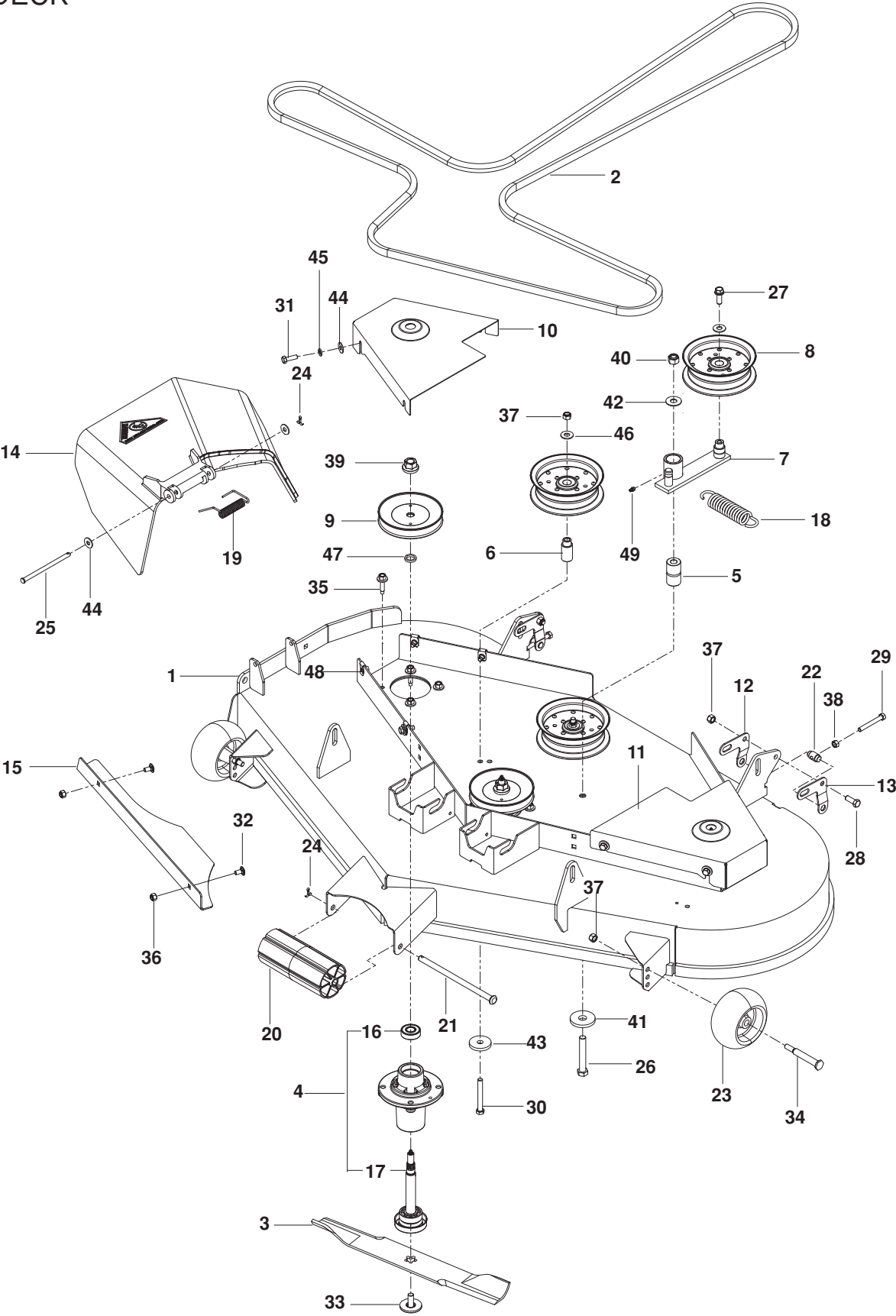
---

ITEM	PART NO.	QTY.	DESCRIPTION	ITEM	PART NO.	QTY.	DESCRIPTION
1..	539 104808....4	....	PILLOW BLOCK	22..	539 132182....1	....	PIN 1/2 x 1 1/2 DETENT RING
2..	539 110808....2	....	LINK, DECK LIFT	23..	539 991043..10	....	BUSHING .625
3..	539 118937....2	....	SPACER, IDLER	24..	539 132851....1	....	GRIP
4..	539 131861....1	....	SPACER	25..	539 115501....6	....	PIN, COTTER 1 3/4
5..	539 131509....1	....	SHAFT, FRONT LIFT	26..	539 101721....4	....	HCS 5/16-18 x 2 3/4
6..	539 104807....2	....	REINFORCEMENT BAR	27..	539 108181....2	....	HCS 1/2-13 x 1 3/4 GR 8
7..	539 131897....1	....	BELLCRANK, RR, LIFT	28..	539 107475....1	....	BOLT 5/16-18 x 3/4 THD FRM
8..	539 131853....1	....	BELLCRANK, RR, RT	29..	539 101175....4	....	HCS 7/16-14 x 1 1/2
9..	539 112223....2	....	LINKAGE, STRUT	30..	539 101341....1	....	HCS 3/8-16 x 3
10..	539 109693....4	....	LIFT CHAIN-3 LINK	31..	539 990646....1	....	HCS 1/2-13 x 1 3/4
11..	539 131566....1	....	LATCH, TRANSPORT	32..	539 108073....4	....	HCS 7/16-14 x 1 3/4
12..	539 105059....1	....	LANYARD	33..	539 976941....4	....	HCS 3/8-16 X 1 1/4
13..	539 131791....1	....	MOUNT, SPRING	34..	539 131781....1	....	HHFS 3/8-16 x 2 3/4
14..	539 132017....2	....	MOUNT, STRUT	35..	539 101331....2	....	NUT 1/2 HEX NYLOC
15..	539 131792....1	....	TAB, SPRING	36..	539 112899....5	....	NUT 5/16-18 HEX FLANGE NYL
16..	539 112896....1	....	J-BOLT	37..	539 976979....4	....	NUT 3/8-16 HEX NYLOC
17..	539 102642....1	....	SPRING	38..	539 102582....8	....	NUT 7/16-14 HEX WHIZ LK
18..	539 132734....1	....	SPRING, TORSION	39..	539 132019....8	....	NUT 7/16-14 HEX WHIZ LK
19..	539 131850....1	....	HEIGHT ADJUST, DECK	40..	539 200282....2	....	NUT 3/8-16 HEX JAM NYLOC
20..	539 131860....1	....	PIVOT LATCH, TRANSPORT	41..	539 102843....1	....	WASHER 7/16 SPRING
21..	539 131556....1	....	PEDAL, FOOT	42..	539 109554....2	....	WASHER 1/2 FLAT



# MOWER DECK / CUTTING DECK

## 52" DECK



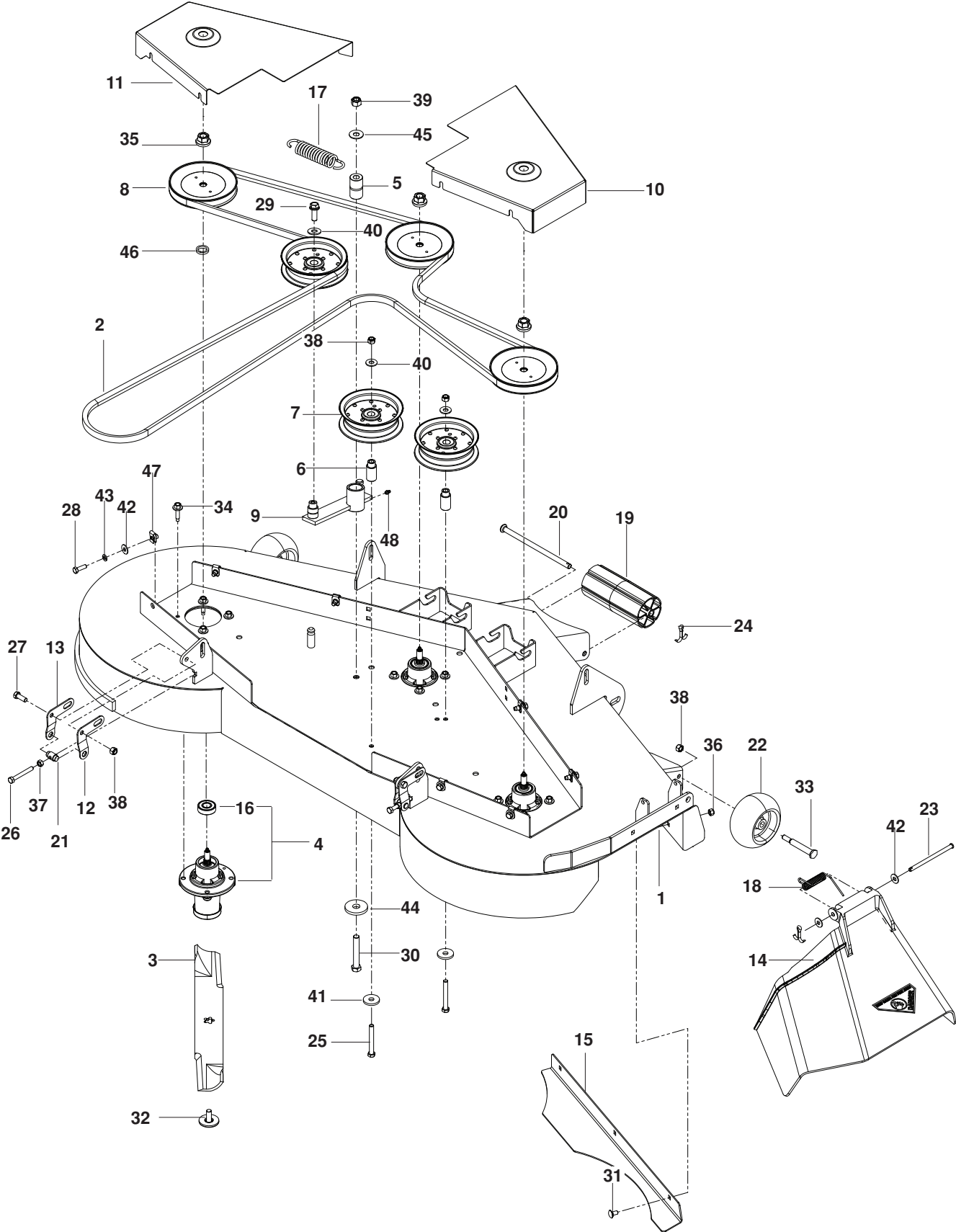
# MOWER DECK / CUTTING DECK

---

ITEM	PART NO.	QTY.	DESCRIPTION	ITEM	PART NO.	QTY.	DESCRIPTION
1..	539 132746....	1	.... DECK w/ SAFETY DECALS	26..	539 103433....	1	.... HCS 1/2-13 x 3 1/4
2..	522 811301....	1	.... BELT, DECK	27..	539 990582....	1	.... HCS 3/8-16 x 1 WHIZLK
3..	539 112079....	3	.... BLADE, 18"	28..	539 990563....	2	.... HCS 3/8-16 x 1
4..	539 112170....	3	.... HOUSING ASSY	29..	539 108396....	2	.... HCS 5/16-18 x 2 1/2 TPBLT
5..	539 103427....	1	.... BUSHING, PIVOT	30..	539 101341....	2	.... HCS 3/8-16 x 3
6..	539 112169....	2	.... BUSHING, IDLER	31..	539 976934....	8	.... HCS 5/16-18 x 3/4
7..	539 112198....	1	.... ARM, IDLER	32..	539 990799....	3	.... RHSNB 5/16-18 x 5/8
8..	539 132728....	3	.... PULLEY, IDLER	33..	539 107522....	3	.... BOLT 7/16 BLADE
9..	539 112171....	3	.... PULLEY	34..	539 107608....	2	.... BOLT, SHOULDER
10..	539 112242....	1	.... BELT SHIELD, RT	35..	539 107630..	12	.... SCREW 5/16-18 WSH HD
11..	539 112244....	1	.... BELT SHIELD, LT	36..	539 990717....	3	.... NUT 5/16-18 HEX NYLOC
12..	539 131857....	2	.... PITCH, ADJUST, RT	37..	539 976979....	6	.... NUT 3/8-16 HEX NYLOC
13..	539 131858....	2	.... PITCH, ADJUST, LT	38..	539 990196....	2	.... NUT 5/16-18 HEX
14..	539 110733....	1	.... CHUTE, DISCHARGE	39..	539 107590....	3	.... NUT 9/16 TOP CENTER LOCK
15..	539 112417....	1	.... PLATE, CONFINEMENT	40..	539 101331....	1	.... NUT 1/2 HEX NYLOC
16..	539 112050....	3	.... BEARING, BALL	41..	539 102243....	1	.... WASHER, SUPPORT
17..	539 112056....	1	.... SHAFT	42..	539 990550....	1	.... WASHER 1/2 STD FLT
18..	539 103256....	1	.... SPRING	43..	539 106504....	2	.... WASHER, HEAVY
19..	539 110735....	1	.... SPRING, TORSION	44..	539 990692..	10	.... WASHER 5/16 STD FLT
20..	532 176066....	1	.... ROLLER, NOSE	45..	539 109600....	8	.... WASHER 5/16 SPRING
21..	532 179127....	1	.... ROD, ROLLER, NOSE	46..	539 990517....	2	.... WASHER 3/8 FLAT STD
22..	539 131859....	2	.... TRUNION, PITCH	47..	539 107520....	3	.... WASHER-SPACER
23..	539 107610....	2	.... WHEEL, GAUGE	48..	539 104763....	8	.... RETAINER, U TYPE 5/16-18
24..	539 990365....	2	.... PIN, COTTER 1/8 x 3/4	49..	539 976998....	1	.... ZERK
25..	539 110736....	1	.... PIN, CLEVIS 5/16				

# MOWER DECK / CUTTING DECK

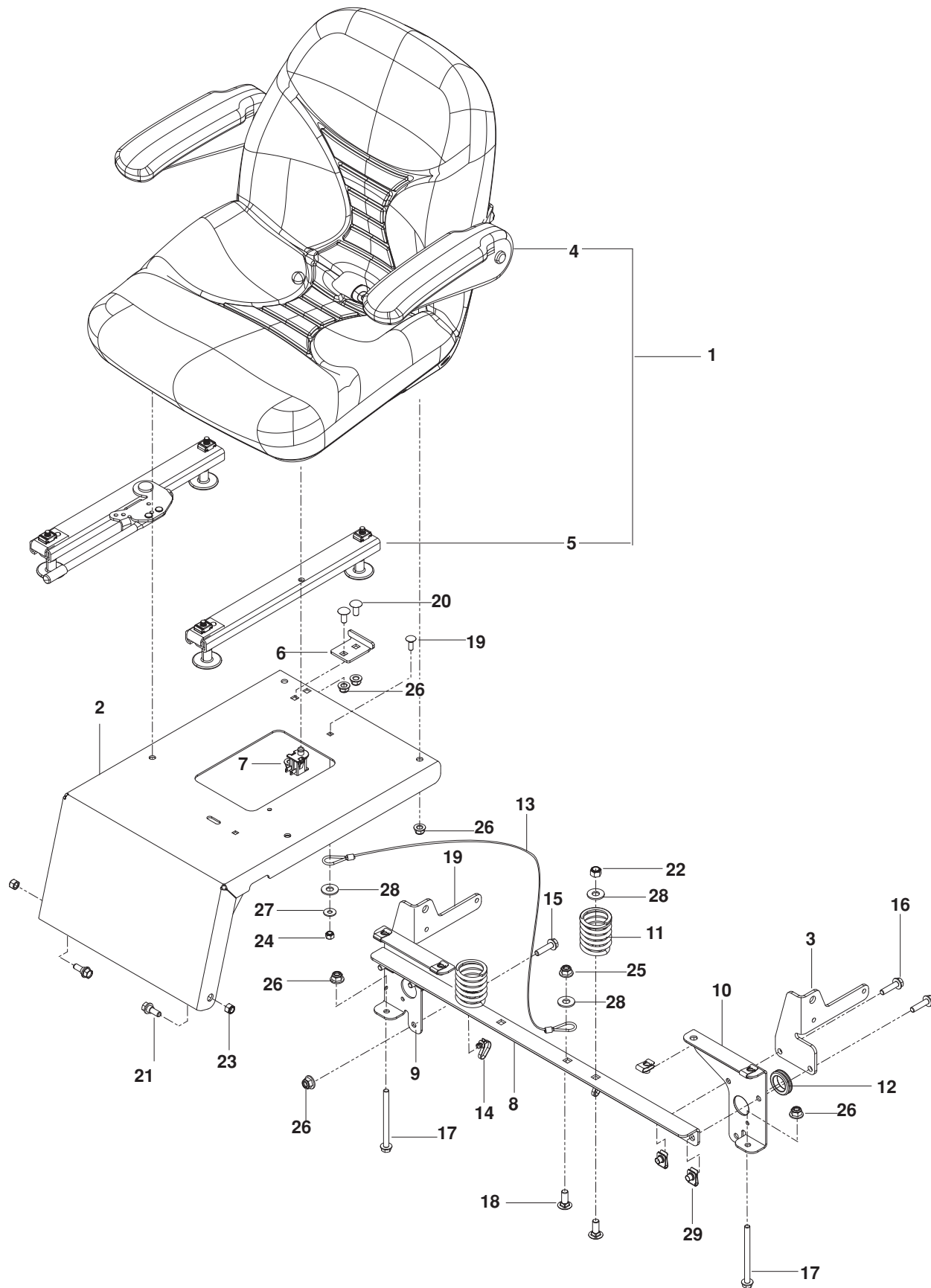
## 61" DECK



# MOWER DECK / CUTTING DECK

ITEM	PART NO.	QTY.	DESCRIPTION	ITEM	PART NO.	QTY.	DESCRIPTION
1..	539 132747....	1	.... DECK w/ SAFETY DECALS	25..	539 101341....	2	.... HCS $\frac{3}{8}$ -16 x 3
2..	539 104335....	1	.... BELT, DECK	26..	539 108396....	2	.... HCS $\frac{5}{16}$ -18 x 2 $\frac{1}{2}$ TPBLT
3..	510 417901....	3	.... BLADE, 21"	27..	539 990563....	2	.... HCS $\frac{3}{8}$ -16 x 1
4..	539 112170....	3	.... HOUSING ASSEMBLY	28..	539 976934....	8	.... HCS $\frac{5}{16}$ -18 x $\frac{3}{4}$
5..	539 103427....	1	.... BUSHING, PIVOT	29..	539 990582....	1	.... HCS $\frac{3}{8}$ -16 x 1 WHIZLK
6..	539 112169....	2	.... BUSHING, IDLER	30..	539 103433....	1	.... HCS $\frac{1}{2}$ -13 x 3 $\frac{1}{4}$
7..	539 132728....	3	.... PULLEY, IDLER	31..	539 990799....	3	.... RHSNB $\frac{5}{16}$ -18 x $\frac{5}{8}$
8..	539 113300....	3	.... PULLEY	32..	532 193003....	3	.... BOLT $\frac{7}{16}$ BLADE
9..	539 112198....	1	.... ARM, IDLER	33..	539 107608....	2	.... BOLT, SHOULDER
10..	539 113319....	1	.... BELT SHIELD, RT	34..	539 107630..	12	.... SCREW, WSH HEAD
11..	539 113322....	1	.... BELT SHIELD, LT	35..	539 107590....	3	.... NUT $\frac{9}{16}$ TOP CENTER LOCK
12..	539 131857....	2	.... PITCH ADJUST, RT	36..	539 990717....	3	.... NUT $\frac{5}{16}$ -18 HEX NYLOC
13..	539 131858....	2	.... PITCH ADJUST, LT	37..	539 990196....	2	.... NUT $\frac{5}{16}$ -18 HEX
14..	539 110734....	1	.... CHUTE, DISCHARGE	38..	539 976979....	6	.... NUT $\frac{3}{8}$ -16 HEX NYLOC
15..	539 113317....	1	.... PLATE, CONFINEMENT	39..	539 101331....	1	.... NUT $\frac{1}{2}$ HEX NYLOC
16..	539 112050....	3	.... BEARING, BALL	40..	539 990517....	2	.... WASHER $\frac{3}{8}$ FLAT STD
17..	539 103256....	1	.... SPRING	41..	539 106504....	2	.... WASHER, HEAVY
18..	539 110735....	1	.... SPRING, TORSION	42..	539 990692..	10	.... WASHER $\frac{5}{16}$ STD FLT
19..	532 176066....	1	.... ROLLER, NOSE	43..	539 109600....	8	.... WASHER $\frac{5}{16}$ SPRING
20..	532 179127....	1	.... ROD, ROLLER, NOSE	44..	539 102243....	1	.... WASHER, SUPPORT
21..	539 131859....	2	.... TRUNION, PITCH	45..	539 990550....	1	.... WASHER $\frac{1}{2}$ STD FLT
22..	539 107610....	2	.... WHEEL, GAUGE	46..	539 107520....	3	.... WASHER-SPACER
23..	539 110736....	1	.... PIN $\frac{5}{16}$ CLEVIS	47..	539 104763....	8	.... RETAINER, U TYPE $\frac{5}{16}$ -18
24..	539 990365....	2	.... PIN, COTTER $\frac{1}{8}$ x $\frac{3}{4}$	48..	539 976998....	1	.... ZERK

# SEAT

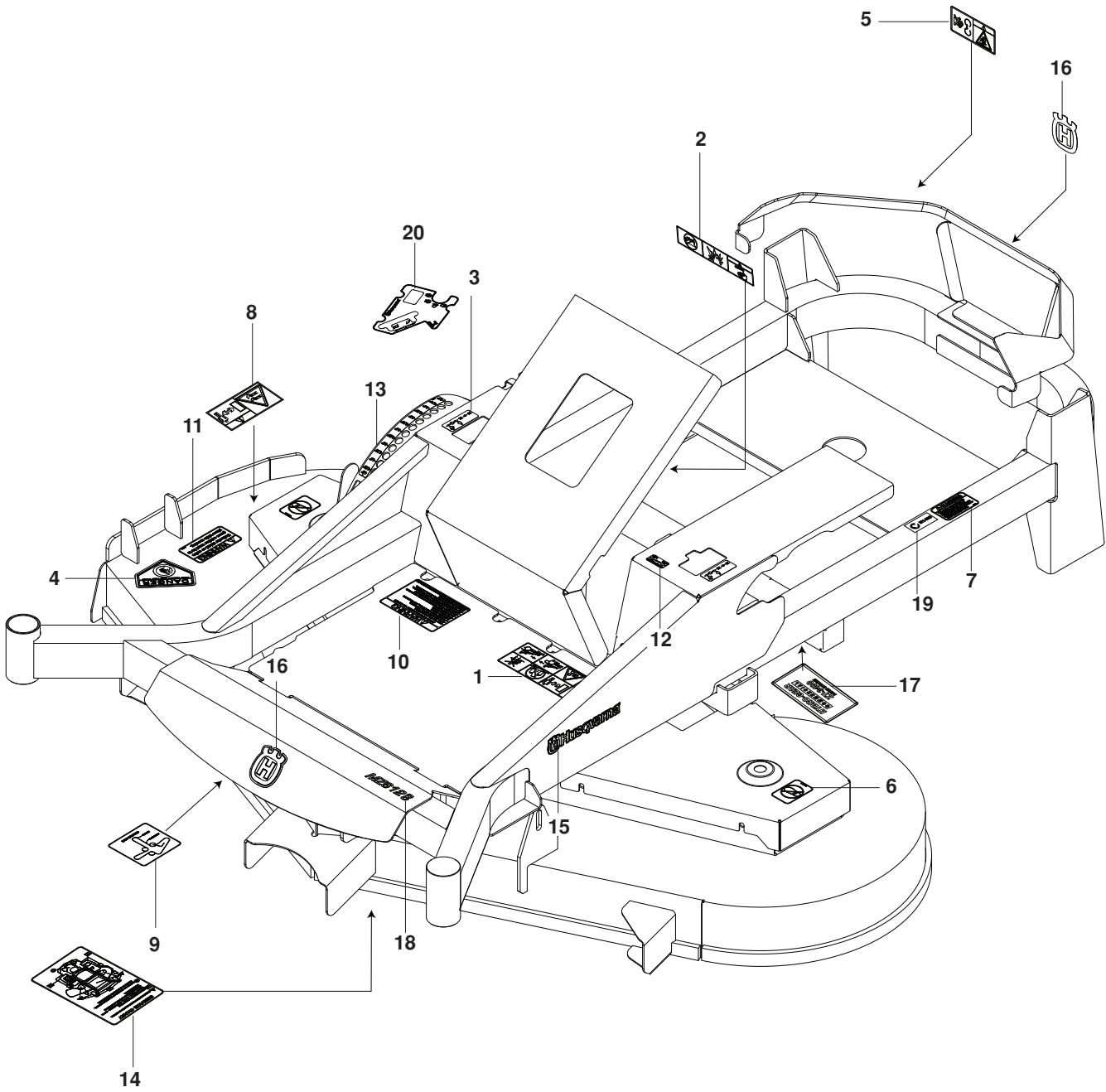


# SEAT

---

ITEM	PART NO.	QTY.	DESCRIPTION	ITEM	PART NO.	QTY.	DESCRIPTION
1..	539 130873....	1	.... SEAT ASSY	15..	525 464701....	2	.... HHFS $\frac{5}{16}$ -18 x $\frac{3}{4}$
2..	575 608601....	1	.... MOUNT, SEAT w/ DECAL	16..	525 544001....	4	.... HHFS $\frac{5}{16}$ -18 x $1\frac{1}{4}$ TPBLT
3..	575 017402....	2	.... MOUNT, SEAT BELT	17..	539 131780....	2	.... HHFS $\frac{5}{16}$ -18 x $3\frac{3}{4}$
4..	539 112036....	1	.... ARM REST, LT	18..	539 990645....	3	.... RHSNB $\frac{3}{8}$ -16 x 1
	539 112035....	1	.... ARM REST, RT	19..	539 990074....	1	.... RHSNB $\frac{1}{4}$ -20 x $\frac{3}{4}$
5..	539 112037....	1	.... RAIL SET, SEAT	20..	539 109100....	2	.... RHSNB $\frac{5}{16}$ -18 x $\frac{3}{4}$
6..	539 130793....	1	.... DECK STOP	21..	539 130896....	2	.... BOLT $\frac{5}{16}$ -18 HEX HD
7..	539 119741....	1	.... SWITCH, SEAT	22..	539 976979....	2	.... NUT $\frac{3}{8}$ -16 HEX NYLOC
8..	539 131656....	1	.... SUPPORT, SEAT	23..	539 990717....	2	.... NUT $\frac{5}{16}$ -18 HEX NYLOC
9..	575 224002....	1	.... SUPPORT, RT	24..	539 976978....	1	.... NUT $\frac{1}{4}$ -20 HEX NYLOC
10..	575 224102....	1	.... SUPPORT, LT	25..	521 996501....	1	.... NUT $\frac{3}{8}$ -16 FLG HEX NYLOC
11..	539 110300....	2	.... SPRING, SEAT	26..	539 112899..	10	.... NUT $\frac{5}{16}$ -18 FLANGE NYLOC
12..	539 105974....	1	.... GROMMET RUBBER	27..	539 990598....	1	.... WASHER $\frac{1}{4}$ FLAT
13..	539 103247....	1	.... LANYARD, SEAT	28..	539 990517....	4	.... WASHER $\frac{3}{8}$ FLAT STD
14..	505 280001....	2	.... TIE WRAP w/ CLIP	29..	539 104763....	8	.... RETAINER, U TYPE $\frac{5}{16}$ -18

# DECALS



# DECALS

---

ITEM	PART NO.	QTY.	DESCRIPTION	ITEM	PART NO.	QTY.	DESCRIPTION
1..	539 107959	...1	...DECAL, WARNING	14..	539 132187	...1	...DECAL, SERVICE
2..	539 105745	...1	...DECAL, BATTERY WARNING	15..	532 429196	...2	....DECAL, HUSQVARNA
3..	539 103333	...2	...DECAL, MOTION CONTROL	16..	532 428676	...2	....DECAL, CROWN H
4..	539 913010	...1	...DECAL, BLADE WARNING	17..	574 815501	....1	....DECAL, HYDROGEAR
5..	539 105744	...1	...DECAL, DANGER BLT DRIVE	18..	521 988002	....1	....DECAL, M6128
6..	539 105743	...2	...DECAL, NO STEP		521 988004	....1	....DECAL, MZ5225
7..	539 101881	...1	...DECAL, EXHAUST	19..	539 110279	....1	....DECAL, ECM
8..	539 105746	...1	...DECAL, SEVERING				966690501, 966613101
9..	539 112620	...1	...DECAL, BELT ROUTING	20..	574 841103	....1	....DECAL, CONSOLE
10..	539 113213	...1	...DECAL, WARNING				966690501
11..	539 113224	...1	...DECAL, WARNING		574 841101	....1	....DECAL, CONSOLE
12..	539 110974	...2	...DECAL, TRACKING				966613101, 966613102
13..	539 132039	...1	...DECAL, HEIGHT ADJUST				