

## Multipurpose tool - 3 601 B30 010 - MX25E

www.powertools-aftersaleservice.com

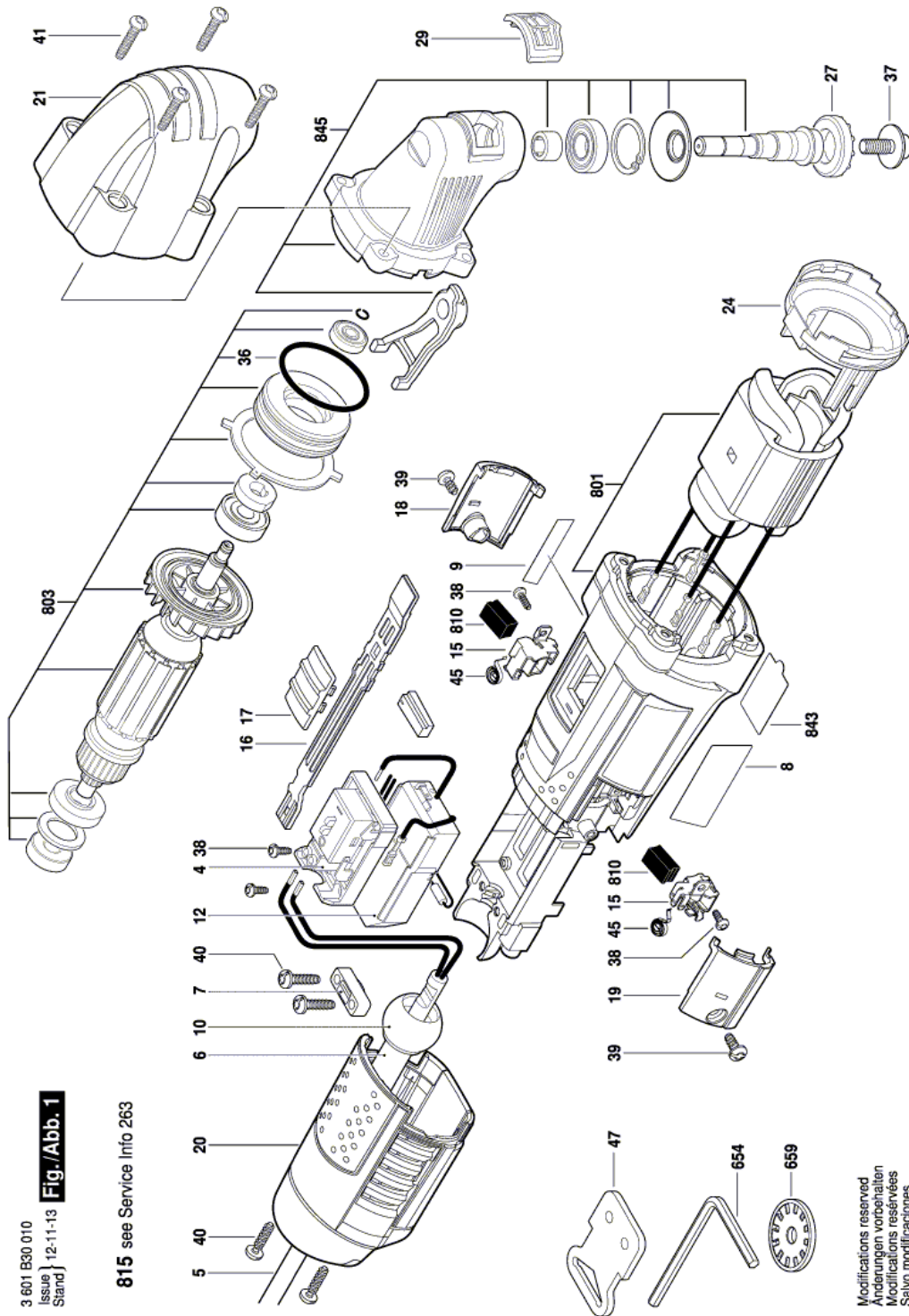


**BOSCH**

Item	Part Number	Description	Illustration	Price	Quantity	Price Group
4	2 609 125 028	Electronics Module	1	-,-	1	28
5	2 604 460 186	Power supply cord USA/CDN 2,68m 2 x 082mm SJ 18/2	1	-,-	1	26
6	2 600 703 013	Grommet Ø7,6-Ø8,2x95 MM	1	-,-	1	13
7	2 601 035 001	Cable Clip	1	-,-	1	11
8	2 609 132 901	Warning Label	1	-,-	1	13
9	2 609 132 922	Manufacturer's nameplate	1	-,-	1	13
10	2 609 100 929	Ball Joint	1	-,-	1	11
12	1 607 233 453	Electronics Module	1	-,-	1	32
15	1 619 P02 808	Brush Holder	1	-,-	2	13
16	2 609 100 914	Switch Slide	1	-,-	1	10
17	2 609 100 915	Switch Button	1	-,-	1	13
18	2 609 100 911	Brush-Cover	1	-,-	1	11
19	2 609 100 912	Brush-Cover	1	-,-	1	11
20	2 609 100 909	Housing Cover	1	-,-	1	24
21	2 609 100 910	Cap	1	-,-	1	21
24	2 609 100 928	Air-Deflector Ring	1	-,-	1	16
27	2 609 110 769	Toolholder	1	-,-	1	21
29	2 609 170 083	Sealing cap	1	-,-	1	10
36	2 600 210 026	O-Ring 35,0x2,0 MM	1	-,-	1	12
37	2 609 110 797	Screw	1	-,-	1	14
38	2 603 490 016	Torx Oval-Head Screw 3x8	1	-,-	4	11
39	2 603 490 020	Torx Oval-Head Screw 4x8	1	-,-	2	10
40	2 603 490 022	Torx Oval-Head Screw 4x16	1	-,-	4	10
41	2 603 490 024	Torx Oval-Head Screw 4x25	1	-,-	4	11
45	1 619 P02 809	Spiral Spring	1	-,-	2	10
47	1 619 P06 843	Key Holder	1	-,-	1	12
654	2 609 110 831	Key	1	-,-	1	15
659	2 609 110 788	Adapter	1	-,-	1	24
801	2 609 199 346	Housing Assembly	1	-,-	1	37
803	2 609 199 345	Armature set	1	-,-	1	40
843	2 609 133 017	Nameplate	1	-,-	1	13
810	1 619 P02 870	Carbon-Brush Set	1	-,-	1	22
815	2 609 199 424	Brush-Cover	N/A	-,-	1	22

Item	Part Number	Description	Illustration	Price	Quantity	Price Group
845	2 609 199 335	Gear Box	1	-,-	1	39

Illustration - Type E



3 601 B30 010  
 Issue 12-11-13  
 Stand **Fig./Abb. 1**

815 see Service Info 263

Modifications reserved  
 Änderungen vorbehalten  
 Modificaciones reservadas  
 Salvo modificaciones

Information subject to change without further notice.