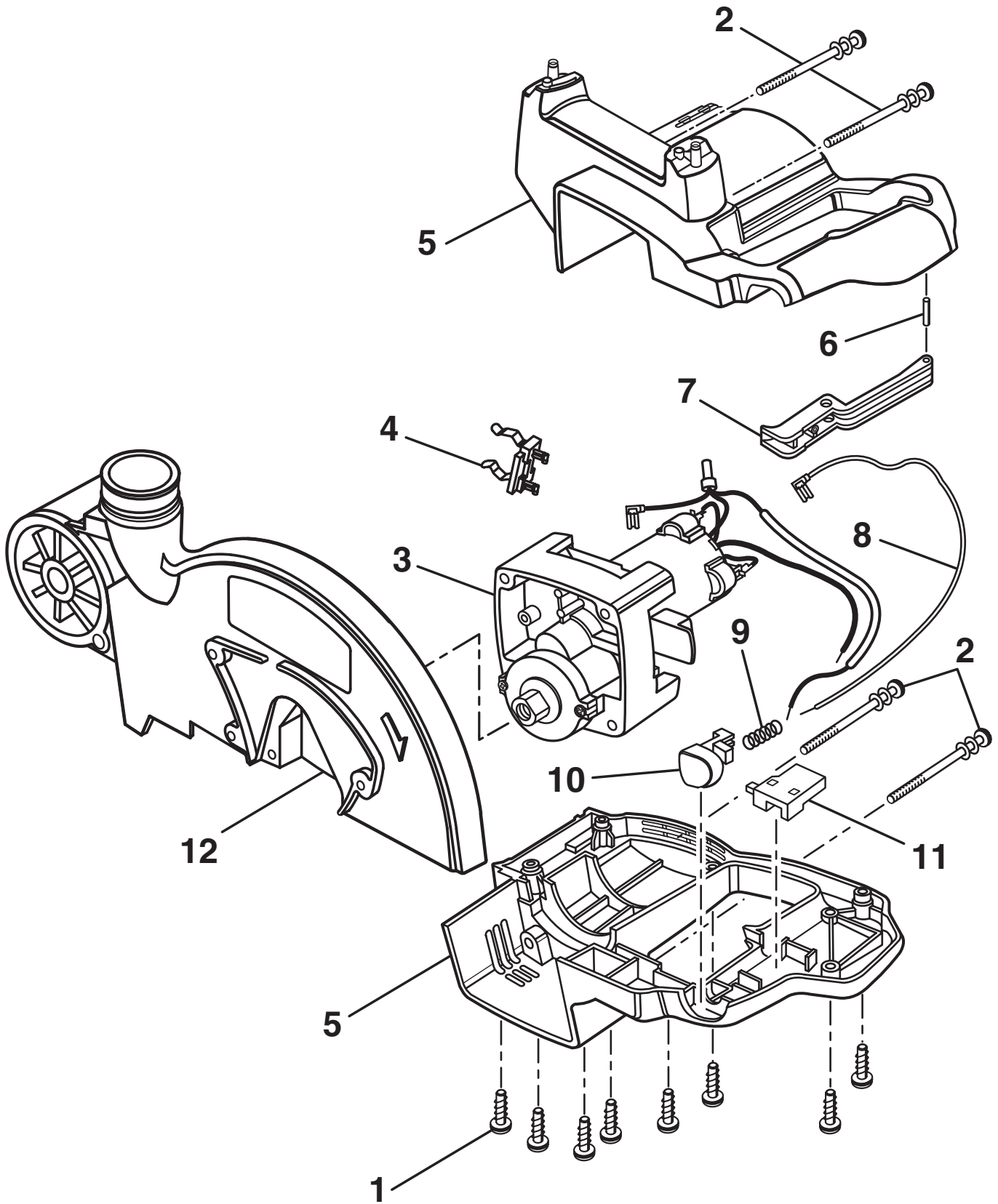


RYOBI 18 VOLT CORDLESS COMPOUND MITER SAW
MODEL NUMBER MS181



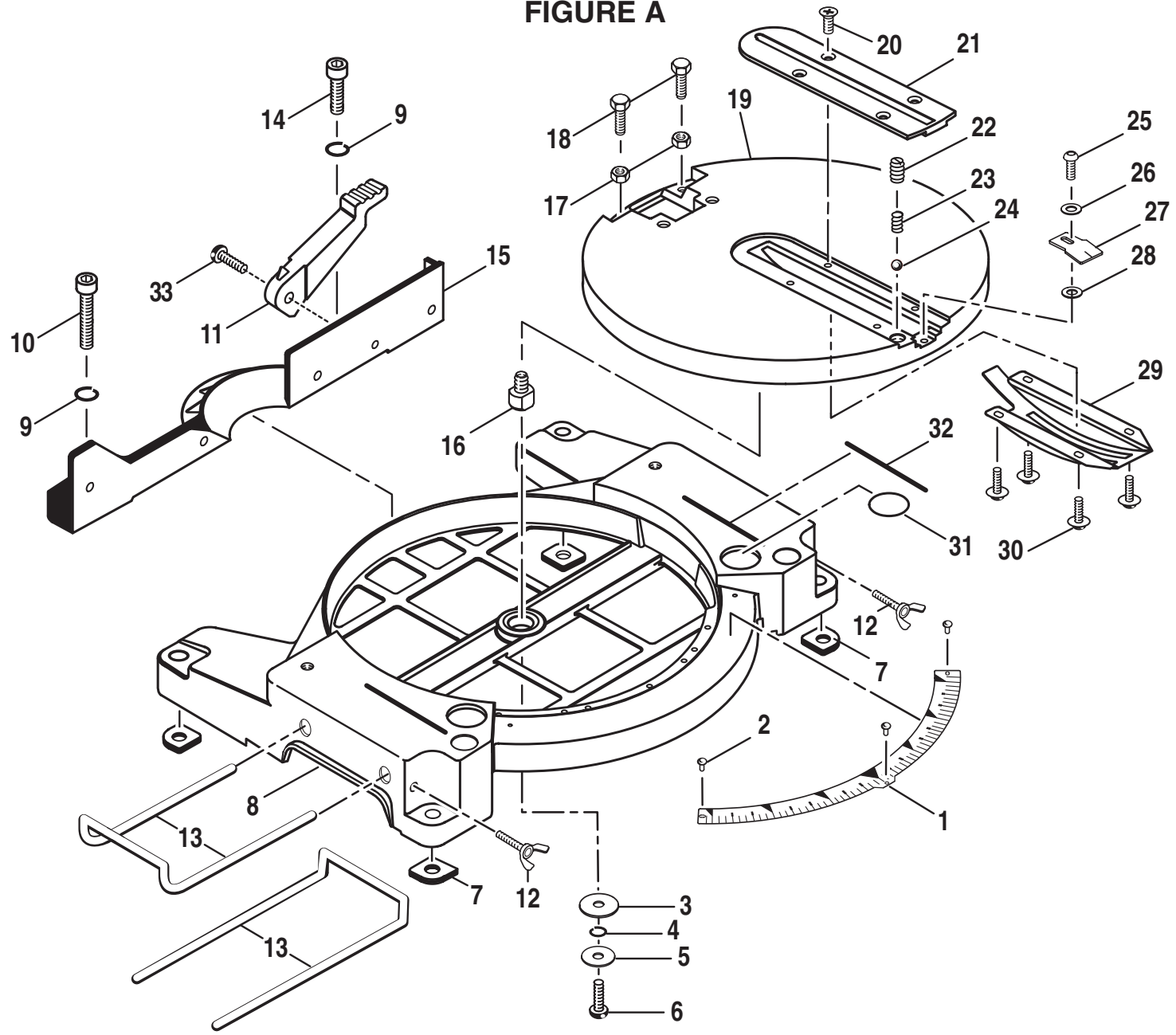
**RYOBI 18 VOLT CORDLESS COMPOUND MITER SAW
MODEL NUMBER MS181**

The model number will be found on a plate attached to the motor housing. Always mention the model number in all correspondence regarding your **COMPOUND MITER SAW** or when ordering repair parts.

KEY NO.	PART NUMBER	DESCRIPTION	QTY.
1	6620805	* SCREW (M4 X 16 mm).....	8
2	3058102	* SCREW ASSEMBLY (M4 X 12 mm).....	4
3	210013019	MOTOR ASSEMBLY	1
4	983513-001	CONTACT PLATE	1
5	300542003	"D" HANDLE – HOUSING ASSEMBLY	1
6	6886901	PIN.....	1
7	983515-001	SWITCH TRIGGER	1
8	7736008	RED LEAD.....	1
9	6886801	SPRING.....	1
10	983516-001	LOCK-OFF BUTTON.....	1
11	7621901	SWITCH.....	1
12	6447203	UPPER BLADE GUARD.....	1
	983000-075	OPERATOR'S MANUAL	
	983000-075R	REPAIR SHEET (REV.00)	
	10-18-04		

* STANDARD HARDWARE ITEM – MAY BE PURCHASED LOCALLY

FIGURE A



RYOBI 18 VOLT CORDLESS COMPOUND MITER SAW – MODEL NUMBER MS181

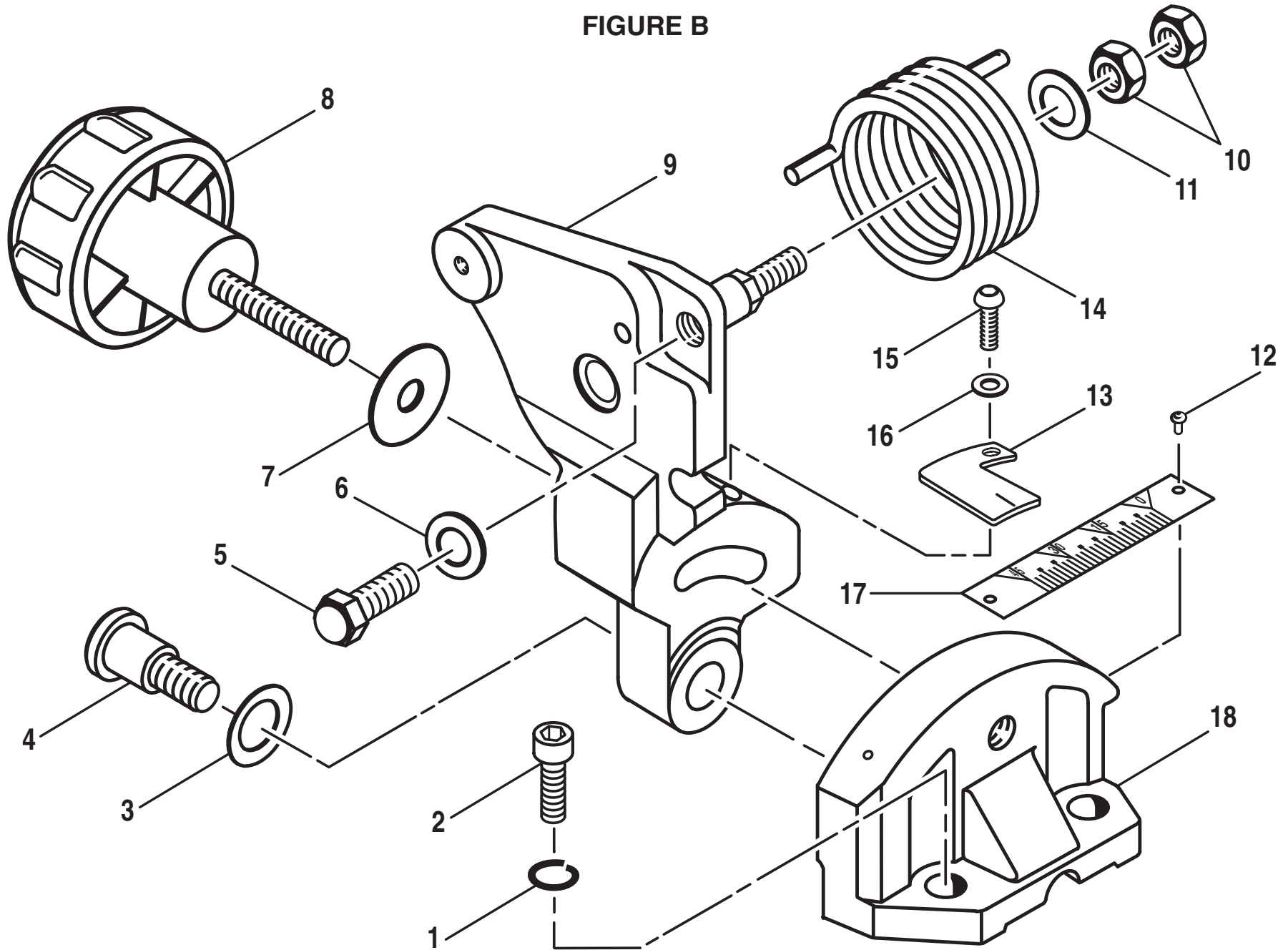
The model number will be found on a plate attached to the motor housing. Always mention the model number in all correspondence regarding your **COMPOUND MITER SAW** or when ordering repair parts.

PARTS LIST FOR FIGURE A

KEY NO.	PART NUMBER	DESCRIPTION	QTY.	KEY NO.	PART NUMBER	DESCRIPTION	QTY.
1	983518-001	MITER SCALE	1	18	6616916	* SCREW (M6 X 20 mm) HEX HD.	2
2	976729-001	RIVET	3	19	6447301	TABLE	1
3	980137-001	WASHER	1	20	160030-400	* SCREW (M4 X 8 mm) FLAT HD.....	4
4	980105-001	SPRING WASHER.....	1	21	983522-001	THROAT PLATE	1
5	980203-001	WASHER	1	22	5537201	* SCREW (M10 X 12.7 mm).....	1
6	980136-001	* SCREW (M5 X 15 mm) PAN HD.....	1	23	6881501	COMPRESSION SPRING	1
7	5530301	RUBBER STAND	4	24	6881601	STEEL BALL (6.0 mm)	1
8	983519-001	TABLE FRAME.....	1	25	130010-401	* SCREW (M4 X 8 mm).....	1
9	980096-001	SPRING WASHER.....	2	26	980124-001	WASHER	1
10	980102-001	* HEX CAP SCREW.....	1	27	980131-001	MITER SCALE INDICATOR.....	1
11	3823402	MITER TABLE CLAMP ASSEMBLY	1	28	6875901	FLAT WASHER	1
12	5686602	WING SCREW	2	29	6384001	LOWER BLADE GUARD	1
13	6953801	EXTENSION RAILS.....	2	30	6621214	* SCREW (M4 X 9 mm).....	4
14	980111-001	* HEX CAP SCREW (M8 X 20 mm).....	1	31	980144-001	NO HANDS LABEL.....	2
15	983521-001	FENCE.....	1	32	980143-001	LINE LABEL.....	2
16	6887001	* NUT (SPECIAL) (M8 X 1.25 X 17.5 mm).....	1	33	6616914	* SCREW (M6 X 25 mm BUTTON HEAD)	1
17	9300600	* HEX NUT (M6).....	2				

* STANDARD HARDWARE ITEM – MAY BE PURCHASED LOCALLY

FIGURE B



RYOBI 18 VOLT CORDLESS COMPOUND MITER SAW – MODEL NUMBER MS181

The model number will be found on a plate attached to the motor housing. Always mention the model number in all correspondence regarding your **COMPOUND MITER SAW** or when ordering repair parts.

PARTS LIST FOR FIGURE B

KEY NO.	PART NUMBER	DESCRIPTION	QTY.
1	980116-001	WASHER (M8)	2
2	980117-001	* BOLT (M8 X 25 mm) HEX HD.	2
3	589011-007	WASHER.....	1
4	568206-003	PIVOT SHAFT	1
5	588058-006	* BOLT (M10 X 20 mm)	1
6	980101-001	WASHER (M10)	1
7	350308-303	FLAT WASHER	1
8	980120-001	BEVEL LOCK KNOB.....	1
9	6447001	SUPPORT BRACKET	1
10	6881801	* HEX NUT (M12)	2
11	6881701	FLAT WASHER	1
12	976729-001	RIVET	2
13	980125-001	BEVEL SCALE INDICATOR.....	1
14	568410-000	TENSION SPRING.....	1
15	130010-401	* SCREW (M4 X 10 mm)	2
16	980124-001	WASHER.....	2
17	980127-001	BEVEL SCALE	1
18	980128-001	PIVOT SUPPORT	1

* STANDARD HARDWARE ITEM – MAY BE PURCHASED LOCALLY

RYOBI 18 VOLT CORDLESS COMPOUND MITER SAW – MODEL NUMBER MS181

The model number will be found on a plate attached to the motor housing. Always mention the model number in all correspondence regarding your **COMPOUND MITER SAW** or when ordering repair parts.

PARTS LIST FOR FIGURE C

KEY NO.	PART NUMBER	DESCRIPTION	QTY.	KEY NO.	PART NUMBER	DESCRIPTION	QTY.
1	5541401	GUARD ROLLER.....	1	23	6881401	“E” RING (E6)	1
2	6889201	PUSH NUT	1	24	983525-001	LOGO PLATE	1
3	976507-001	WASHER (M5).....	2	25	984044-001	DATA PLATE	1
4	980091-001	* SCREW (M5 X 10 mm) PAN HD.....	1	26	983527-001	CARRYING HANDLE	1
5	983523-001	LABEL.....	1	27	6620805	SCREW (M4 X 16 mm).....	2
6	589015-001	* SCREW (M6 X 10 mm).....	1	28	983528-001	WARNING LABEL	1
7	984042-001	BLADE GUARD BRACKET ASSEMBLY	1	29	6383901	“U” CLIP	2
8	984043-001	LOWER BLADE GUARD (INC. KEY NOS. 1 & 2)	1	30	5532601	DEFLECTOR	1
9	578406-003	* SCREW (M5 X 9 mm).....	1	31	3000325	OUTPUT SHAFT ASSEMBLY	1
10	6876501	LOCK NUT (M5 X 7.5 mm).....	1	32	6379001	BEARING PLATE.....	1
11	***	SAW BLADE	1	33	6446702	BLADE WASHER	2
12	6621204	* SCREW (M4 X 16 MM) PAN HD.....	2	34	980097-001	BLADE BOLT	1
13	980172-001	* SCREW (M5 X 15 mm).....	1	35	980095-001	PIVOT PLATE	1
14	980171-001	STOPPER.....	1	36	980100-001	SCREW ((M4 X 8.5 mm) PAN HD.....	1
15	6621213	* SCREW (M4 X 14.5 mm) PAN HD.....	1	37	588039-002	RETURN SPRING.....	1
16	5663301	UPPER GUARD STOPPER	1	38	588082-005	BLADE WRENCH.....	1
17	6881201	“O” RING.....	1	39	1323303	BATTERY PACK (* ITEM NO. 9-11034)	1
18	6214901	STOPPER PIN.....	1	40	1423701	CHARGER (* ITEM NO. 9-11040)	1
19	578502-003	DUST GUIDE.....	1	41	6887401	HEX KEY (5 mm).....	1
20	983524-001	DUST BAG (* ITEM NO. 9-23436)	1	42	6887301	HEX KEY (6 mm).....	1
21	6617002	* HEX SCREW (M10 X 20 mm)	1	43	9423032	WARNING LABEL	1
22	6881901	* HEX NUT (M10 X 8 mm)	1	44	9601535	HANG TAG.....	1
				45	555412-000	LOWER BLADE GUARD LABEL.....	1

* STANDARD HARDWARE ITEM – MAY BE PURCHASED LOCALLY