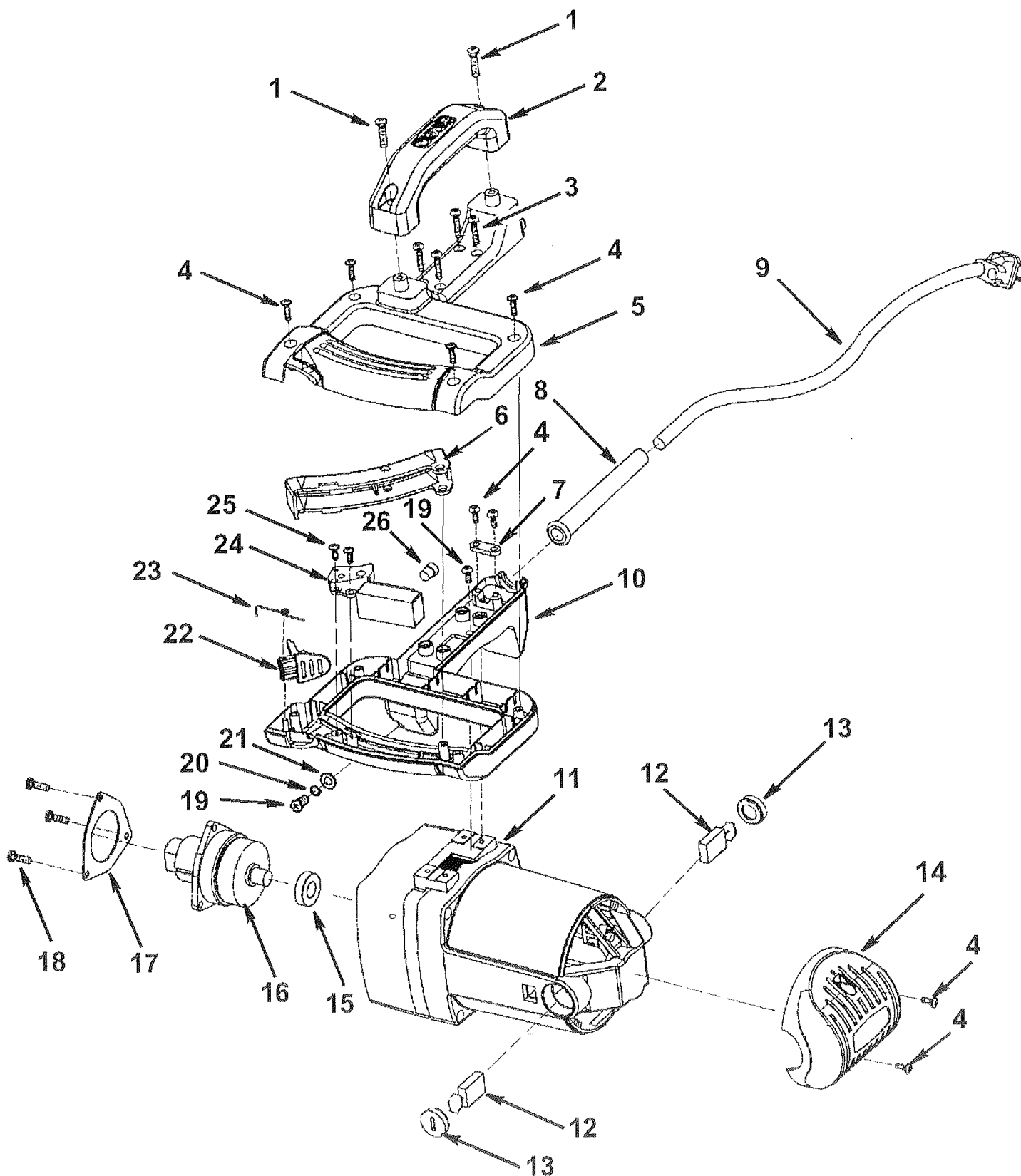
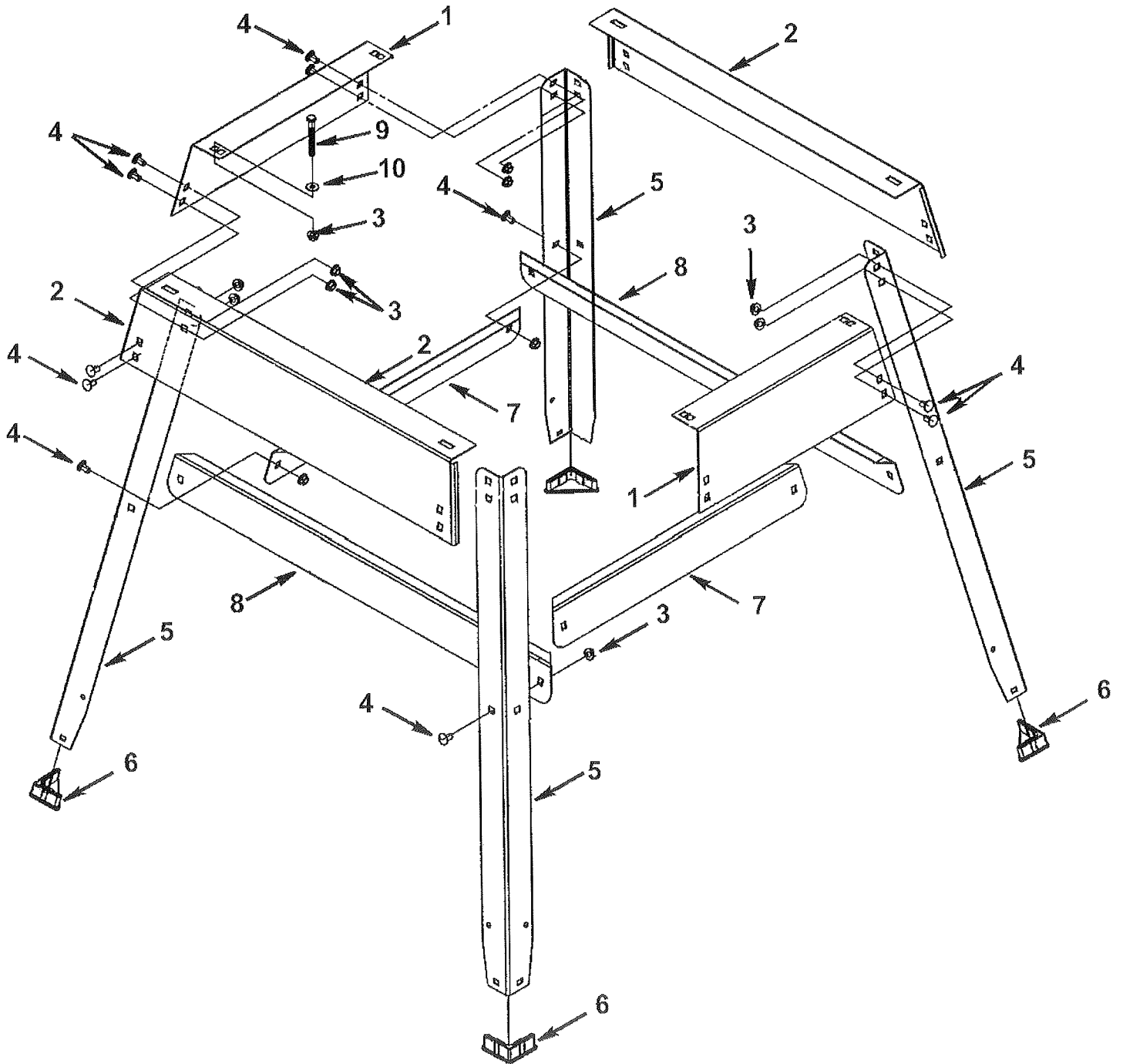


| Ref # | Part Number | Qty | S/P/F | Description   |
|-------|-------------|-----|-------|---|
| 1     | 828102      | 1   |       | Fence Sliding   |
| 2     | 141594-17   | 1   |       | Screw Soc Cap 5/16-18 x 1   |
| 3     | 821063-6    | 1   |       | Washer 8 x 16 x 1.2 Standard Hardware Item -<br>May be purchased locally.         |
| 4     | 827439      | 1   |       | Knob Fence  |
| 5     | 820244-6    | 1   |       | Screw Pan Hd M6 x 1.0 x 18 Standard Hardware<br>Item - May be purchased locally.  |
| 6     | 828103      | 1   |       | Fence Stationary  |
| 7     | 816755-10   | 1   |       | Screw Pan Hd. M5 x 0.8-8 Standard Hardware<br>Item - May be purchased locally.    |
| 8     | 826886      | 1   |       | Plate Throat  |
| 9     | 828104      | 1   |       | Table   |
| 10    | 827434      | 1   |       | Shaft Bevel Pivot   |
| 11    | 827438      | 1   |       | Indicator Bevel   |
| 12    | 826882      | 1   |       | Stop Bevel Index  |
| 13    | 9421621     | 1   |       | Screw Soc Cap 5/16-18 x 5/8 Standard Hardware<br>Item - May be purchased locally. |
| 14    | 827449      | 1   |       | Screw Soc Set Lock M8 x 1.25-16   |
| 15    | 823331      | 1   |       | Shoe Left   |
| 16    | 827879      | 1   |       | Plate Guard   |
| 17    | 827886      | 1   |       | Screw Sems M5-10  |
| 18    | 823361      | 1   |       | Shoe Base Rear  |
| 19    | 828105      | 1   |       | Base  |
| 20    | 828116      | 1   |       | Washer Spring 16.3 x 25 x 0.4   |
| 21    | 60047       | 1   |       | Washer .630 x 1 x 1/32  |
| 22    | 823355      | 1   |       | Bolt Table Pivot  |
| 23    | 828106      | 1   |       | Arm Miter   |
| 24    | 140785-6    | 1   |       | Lockwasher Int. Tooth 5/16" Standard Hardware<br>Item - May be purchased locally. |
| 25    | 9421622     | 1   |       | Screw Soc Cap 5/16-18 x 3/4 Standard Hardware<br>Item - May be purchased locally. |
| 26    | 828040-1    | 1   |       | Screw Set Lock M6 x 1.0-16  |
| 27    | 828032      | 1   |       | Knob Miter  |
| 28    | 827886-1    | 1   |       | Screw Sems M5-5   |
| 29    | 828031      | 1   |       | Plate Clamp Miter   |
| 30    | 823356      | 1   |       | Shoe Base Front   |
| 31    | 828128      | 1   |       | Grip Miter Index  |
| 32    | 828029      | 1   |       | Spring Miter Index  |
| 33    | 821063-6    | 1   |       | Washer 8 x 16 x 1.2 Standard Hardware Item -<br>May be purchased locally.         |
| 34    | 823335      | 1   |       | Grommet Wrench  |
| 35    | 823332      | 1   |       | Shoe Right  |
| 36    | 826885      | 1   |       | Indicator Miter   |
| 37    | 823492      | 1   |       | Wrench Hex "L" 1/4  |
| 38    | 828109      | 1   |       | Table Extension   |
| 39    | 828048      | 1   |       | Clamp   |
| 40    | 828119-1    | 1   |       | Screw Sems M5-12  |
| 41    | SP6449      | 1   |       | Owners Manual   |
|       | 828050      | 1   |       | Bag Asm Ext. Hardware (Not Illustrated)   |

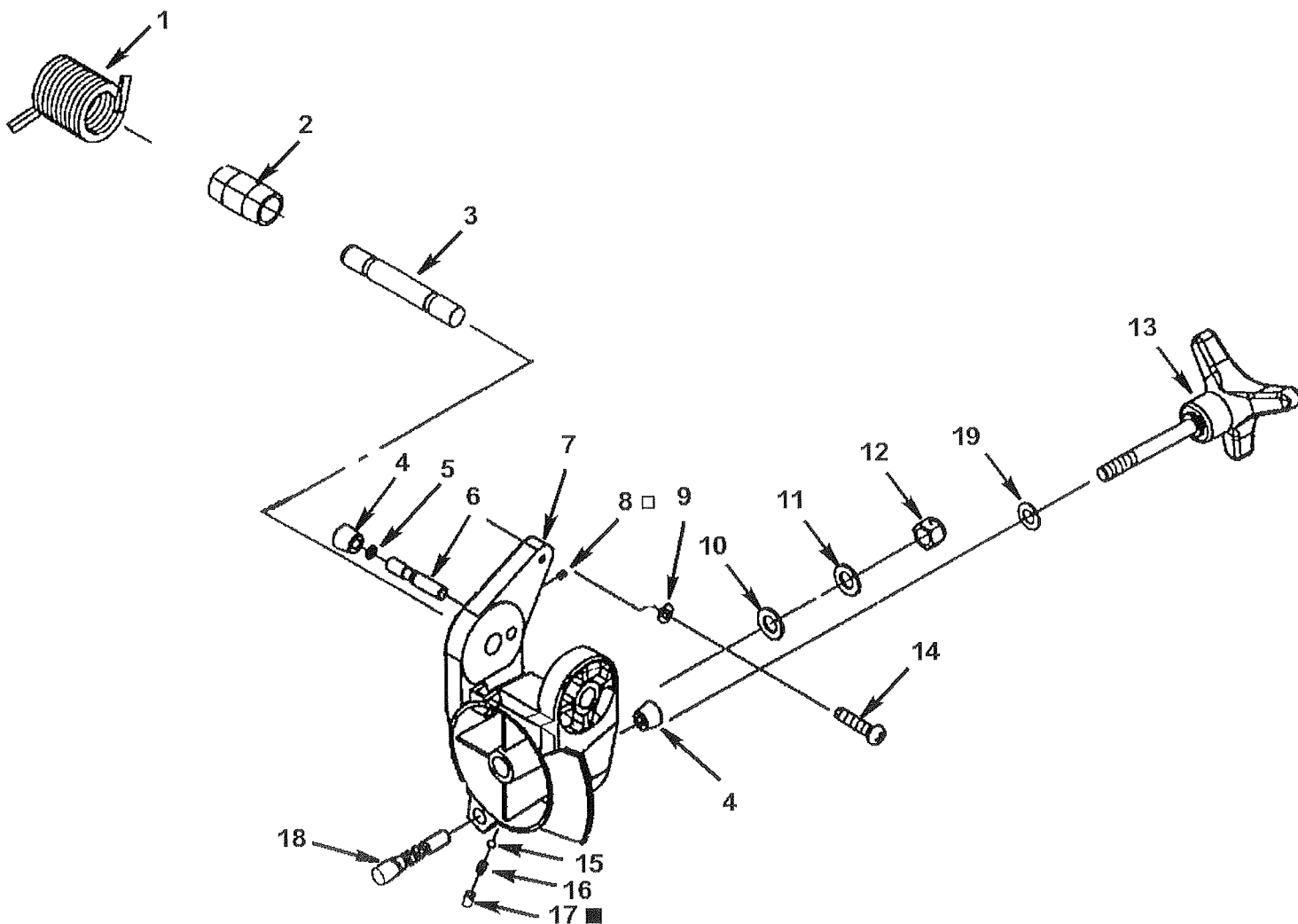


| Ref # | Part Number | Qty | S/P/F | Description   |
|-------|-------------|-----|-------|---|
| 1     | 828123      | 1   |       | Screw Pan Hd Ty E M5-30   |
| 2     | 828063      | 1   |       | Handle Carry  |
| 3     | 820376-5    | 1   |       | Screw Pan Hd Ty TT M4x0.7-20 Standard hardware item - May be purchased locally. |
| 4     | 828122      | 1   |       | Screw Pan Hd Ty E M4-14   |
| 5     | 828062      | 1   | /P    | Handle Upper  |
| 6     | 828059      | 1   |       | Actuator Switch   |
| 7     | 816725      | 1   |       | Clamp Cord  |
| 8     | 821122-1    | 1   |       | Guard Cord  |
| 9     | 828057      | 1   |       | Cord w/Plug   |
| 10    | 828056      | 1   | S     | Handle Lower  |
| 11    | 828125      | 1   |       | Motor   |
| 12    | 816768      | 1   |       | Brush   |
| 13    | 816770      | 1   |       | Cover Brush   |
| 14    | 828064      | 1   |       | Cover Rear Motor  |
| 15    | 816781      | 1   |       | Bearing Needle  |
| 16    | 828133      | 1   |       | Spindle Asm   |
| 17    | 823271      | 1   |       | Retainer Bearing  |
| 18    | 816755-2    | 1   |       | Screw Pan M5 x 0.8-15 Standard hardware item - May be purchased locally.        |
| 19    | 820376-4    | 1   |       | Screw Pan Hd Ty TT M4x0.7-10  |
| 20    | 813303-4    | 1   |       | Lockwasher M4 Standard hardware item - May be purchased locally.                |
| 21    | 821102      | 1   |       | Washer 4 x 9 x 0.8 Standard hardware item - May be purchased locally.           |
| 22    | 828060      | 1   |       | Button Lock   |
| 23    | 828061      | 1   |       | Spring Torsion  |
| 24    | 823493      | 1   | /P    | Switch  |
| 25    | 828122-1    | 1   |       | Screw Pan Hd Ty E M4-10   |
| 26    | 803709-1    | 1   | /P    | Connector Wire #12-#18 Standard hardware item - May be purchased locally.       |



**Always order by Part Number - Not by Key Number**

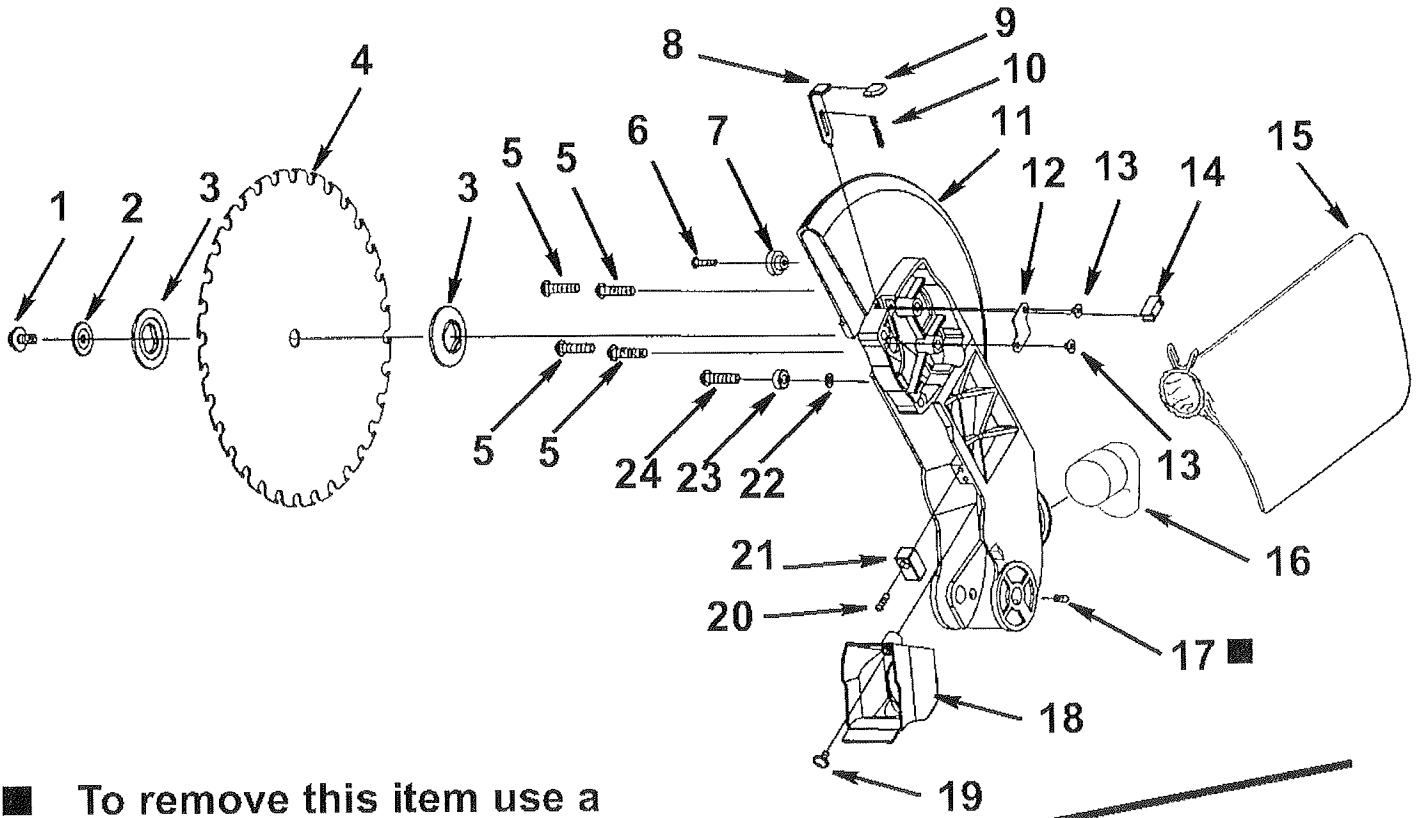
| Ref # | Part Number | Qty | S/P/F | Description                                      |
|-------|-------------|-----|-------|--|
| 1     | 829620      | 1   |       | Short Upper Stiffener                            |
| 2     | 829621      | 1   |       | Long Upper Stiffener                             |
| 3     | 827566      | 1   | S     | Nut Hex Flanged 5/16-18                          |
| 4     | 825780-1    | 1   |       | Carriage Bolt 5/16-18 x 5/8                      |
| 5     | 829624      | 1   |       | Leg  |
| 6     | 829619      | 1   |       | Foot   |
| 7     | 829623      | 1   |       | Short Lower Stiffener                            |
| 8     | 829622      | 1   |       | Long lower Stiffener                             |
| 9     | 805467-13   | 1   |       | Screw Hex Hd 5/16-18 x 2-1/2                     |
| 10    | 819198      | 1   |       | Washer   |
|       | 829625      | 1   |       | Bag Asm (Leg Set Hardware) Items Not Illustrated |



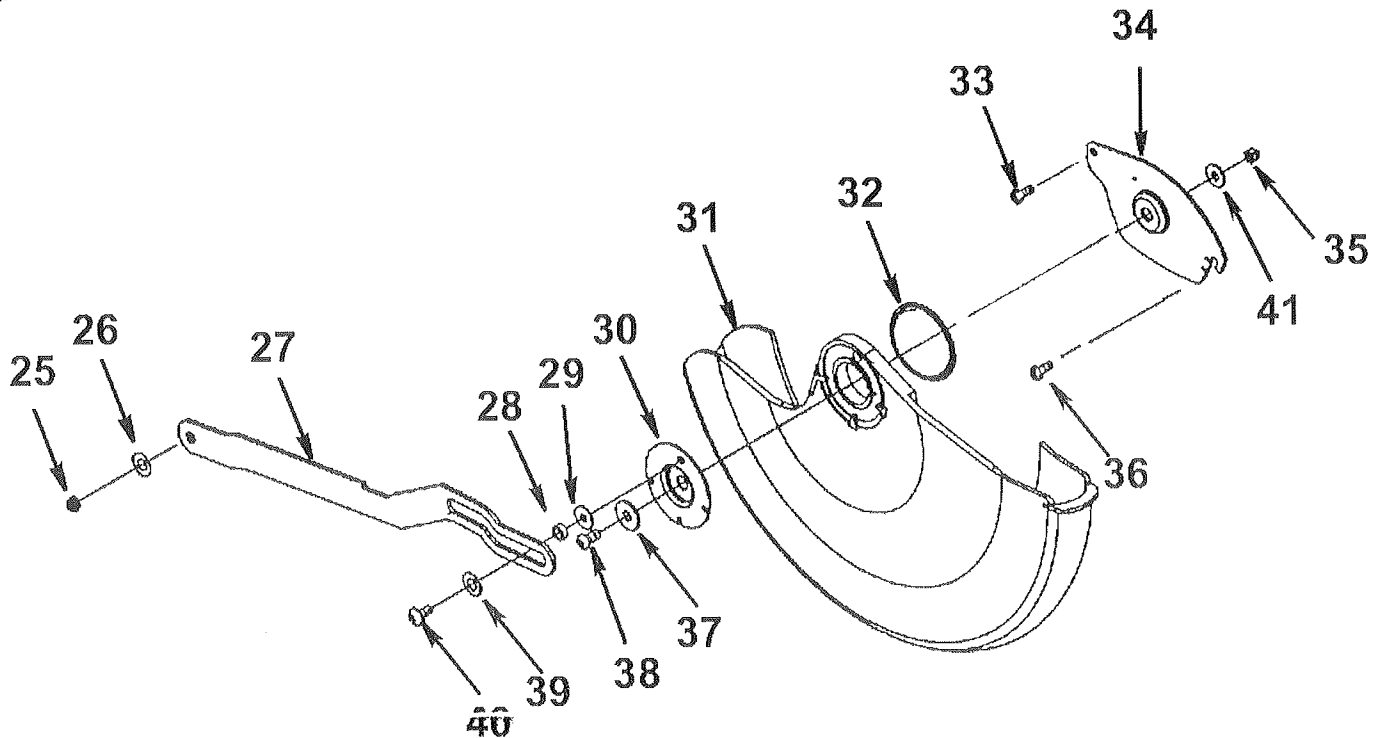
**Always order by Part Number - Not by Key Number**

| Ref # | Part Number | Qty | S/P/F | Description   |
|-------|-------------|-----|-------|---|
| 1     | 828066      | 1   |       | Spring Torsion  |
| 2     | 823320      | 1   |       | Spacer Torsion Spring   |
| 3     | 823344      | 1   |       | Shaft Arm Pivot   |
| 4     | 828034      | 1   |       | Cap Rubber  |
| 5     | 821421-2    | 1   | /P    | Ring "O"  |
| 6     | 828035      | 1   |       | Pin Locking   |
| 7     | 828107-1    | 1   |       | Pivot   |
| 8     | 828120      | 1   | F     | Screw Set Lock M4 x 0.7-5   |
| 9     | 821063-1    | 1   |       | Washer 8 x 16 x 0.5 Standard hardware item -<br>May be purchased locally. |
| 10    | 828117      | 1   |       | Washer 12.5 x 22 x 2  |
| 11    | 819179      | 1   |       | Washer Spring 12.7 x 22 x 0.3   |
| 12    | 818656      | 1   |       | Nut Lock M12 x 1.75   |
| 13    | 827488      | 1   |       | Knob Bevel  |
| 14    | 821875-4    | 1   |       | Screw Shoulder M6 x 23  |
| 15    | 823742-2    | 1   |       | Ball 5mm  |
| 16    | 828039      | 1   |       | Spring  |
| 17    | 828040      | 1   | F     | Screw Set Lock M6 x 1.0-10  |
| 18    | 828041-1    | 1   |       | Pin Bevel Index   |
| 19    | 828170      | 1   |       | Washer 10 x 20 x 2 Standard hardware item -<br>May be purchased locally.  |





■ To remove this item use a  
3mm hex "L" wrench



| Ref # | Part Number | Qty | S/P/F | Description  |
|-------|-------------|-----|-------|--|
| 1     | 823351      | 1   | S     | Screw Arbor  |
| 2     | 816720      | 1   |       | Washer Blade   |
| 3     | 823348      | 1   |       | Collar Blade   |
| 4     | 828042      | 1   |       | Blade  |
| 5     | 827886-2    | 1   |       | Screw Sems M5 -35  |
| 6     | 821878      | 1   | S     | Screw Shoulder 10-32 x 7/8"  |
| 7     | 827498      | 1   |       | Sleeve Rubber  |
| 8     | 827512      | 1   |       | Lock Arbor   |
| 9     | 827516      | 1   |       | Cap Grip   |
| 10    | 823402      | 1   |       | Spring   |
| 11    | 828101-1    | 1   |       | Arm Guard Upper  |
| 12    | 823353      | 1   |       | Plate Retainer Arbor Lock  |
| 13    | 823404      | 1   |       | Screw Flat Hd M5 x 0.8-6   |
| 14    | 823359      | 1   |       | Grommet Arbor Lock   |
| 15    | 828045      | 1   |       | Bag Dust   |
| 16    | 828038      | 1   |       | Elbow  |
| 17    | 828040-1    | 1   |       | Screw Soc. Set Lock M6 x 1.0-16  |
| 18    | 827543      | 1   |       | Chute Sawdust  |
| 19    | 828119      | 1   |       | Screw Sems M5-25   |
| 20    | 816755-6    | 1   |       | Screw Pan Hd M5 x 0.8-16 Standard Hardware Item - May Be Purchased Locally.  |
| 21    | 823360      | 1   |       | Bumper Lower Guard   |
| 22    | 820238-2    | 1   |       | Washer 6.5 x 11.8 x 1.6 Standard Hardware Item - May Be Purchased Locally.   |
| 23    | 821862      | 1   |       | Bearing  |
| 24    | 821875-1    | 1   |       | Screw Shoulder M6-14   |
| 25    | 817449-1    | 1   |       | Nut Hex Lock M6 x 1.0  |
| 26    | 820238-5    | 1   |       | Washer 6.5 x 13 x 0.8 Standard Hardware Item - May Be Purchased Locally.     |
| 27    | 823340-1    | 1   |       | Link Actuator  |
| 28    | 820725-01   | 1   |       | Spacer 7 x 10 x 4  |
| 29    | 820732-2    | 1   |       | Washer 5.5 x 16 x 0.8  |
| 30    | 826879      | 1   |       | Retainer Guard   |
| 31    | 826878      | 1   | S     | Guard Lower  |
| 32    | 816677      | 1   |       | Spring Guard   |
| 33    | 821873      | 1   |       | Screw Shoulder 10-32x.50   |
| 34    | 826876      | 1   | S     | Pivot Lower Guard  |
| 35    | 817449-1    | 1   |       | Nut Hex Lock M6 x 1.0  |
| 36    | 809372-3    | 1   |       | Screw Pan Hd 10-32 x 1/2 Standard Hardware Item - May Be Purchased Locally.  |
| 37    | 827409      | 1   |       | Retainer Bearing   |
| 38    | 828142      | 1   |       | Screw Flat Hd M6 x 1.0-13 Standard Hardware Item - May Be Purchased Locally. |
| 39    | 820732-1    | 1   |       | Washer 7.5 x 16 x 0.6 Standard Hardware Item - May Be Purchased Locally.     |
| 40    | 820724-01   | 1   |       | Screw Shoulder M5 x 0.8-16   |
| 41    | 828141      | 1   |       | Washer 1/4 x 16 x 1  |