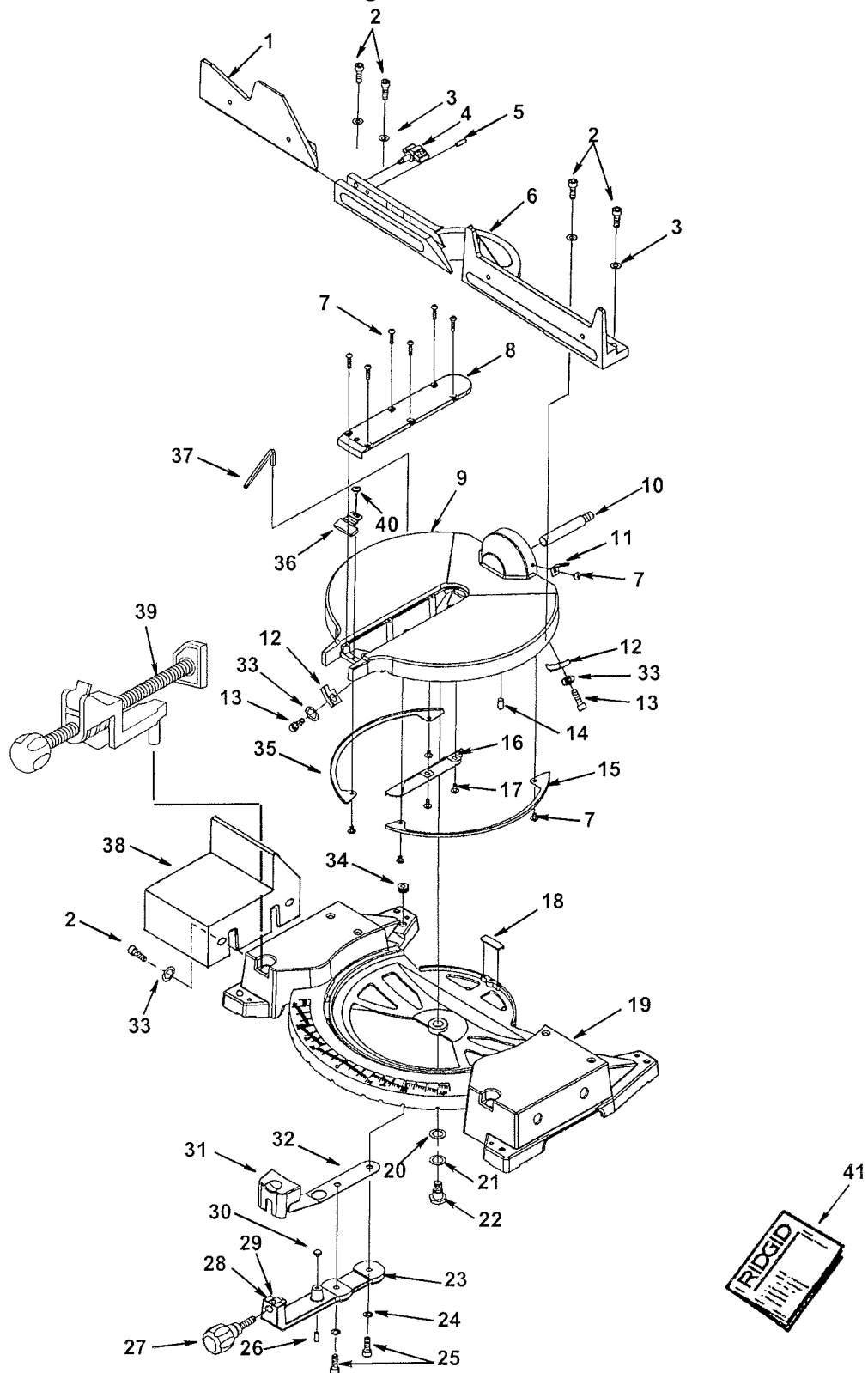


Repair Parts

Parts List For RIDGID 12" Compound Miter Saw Model No. MS12501

RIDGID parts are available on-line at www.ridgidparts.com

Figure 1



Repair Parts

Parts List For RIDGID 12" Compound Miter Saw Model No. MS12501

RIDGID parts are available on-line at www.ridgidparts.com

Figure 1

Always order by part number - not by key number

Key No.	Part No.	Description
1	828102	Fence Sliding
2	141594-17	Screw Soc Cap 5/16-18 x 1
3	821063-6	*Washer 8 x 16 x 1.2
4	827439	Knob Fence
5	820244-6	*Screw Pan Hd M6 x 1.0 x 18
6	828103	Fence Stationary
7	816755-10	*Screw Pan Hd. M5 x 0.8-8
8	826886	Plate Throat
9	828104	Table
10	827434	Shaft Bevel Pivot
11	827438	Indicator Bevel
12	826882	Stop Bevel Index
13	9421621	*Screw Soc Cap 5/16-18 x 5/8
14	827449	Screw Soc Set Lock M8 x 1.25-16
15	823331	Shoe Left
16	827879	Plate Guard
17	827886	Screw Sems M5-10
18	823361	Shoe Base Rear
19	828105	Base
20	828116	Washer Spring 16.3 x 25 x 0.4
21	60047	Washer .630 x 1 x 1/32
22	823355	Bolt Table Pivot

Key No.	Part No.	Description
23	828106	Arm Miter
24	140785-6	*Lockwasher Int. Tooth 5/16"
25	9421622	*Screw Soc Cap 5/16-18 x 3/4
26	828040-1	Screw Set Lock M6 x 1.0-16
27	828032	Knob Miter
28	827886-1	Screw Sems M5-5
29	828031	Plate Clamp Miter
30	823356	Shoe Base Front
31	828128	Grip Miter Index
32	828029	Spring Miter Index
33	821063-6	*Washer 8 x 16 x 1.2
34	823335	Grommet Wrench
35	823332	Shoe Right
36	826885	Indicator Miter
37	823492	Wrench Hex "L" 1/4
38	828109	Table Extension
39	828048	Clamp
40	828119-1	Screw Sems M5-12
41	SP6287	Owners Manual
-	828050	Bag Asm Ext. Hardware (Not Illustrated)

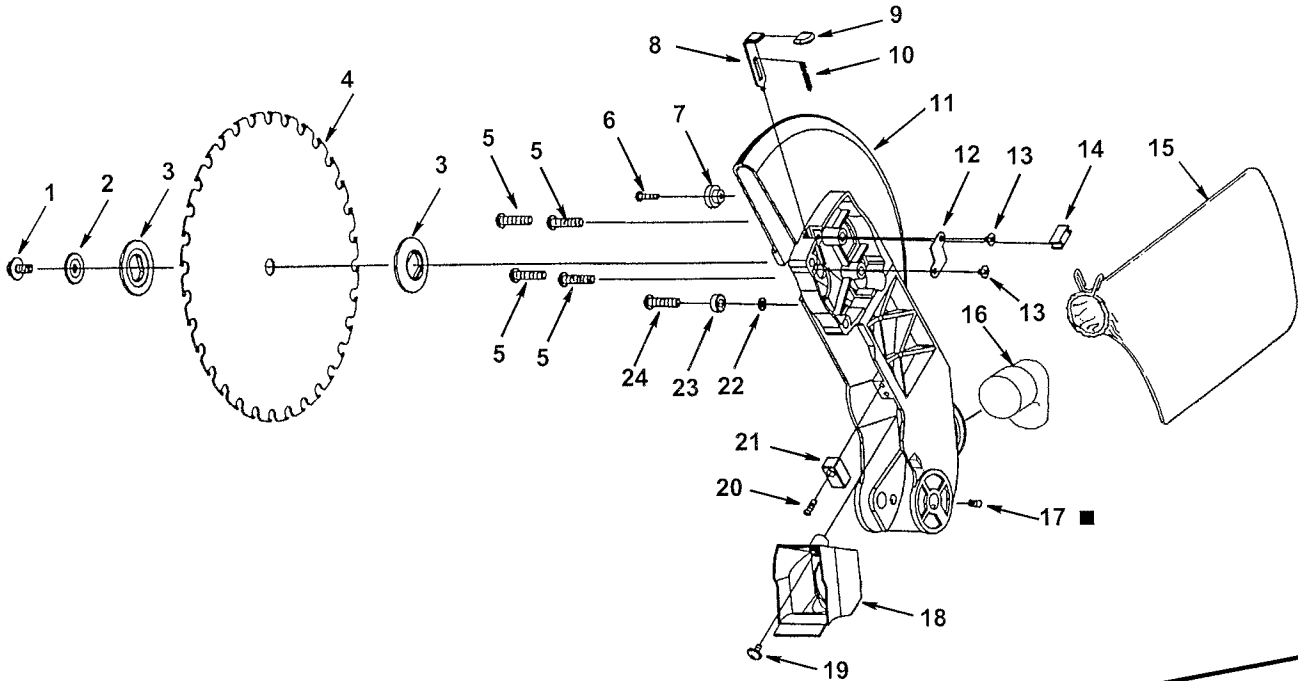
* Standard Hardware Item - May be purchased locally.

Repair Parts

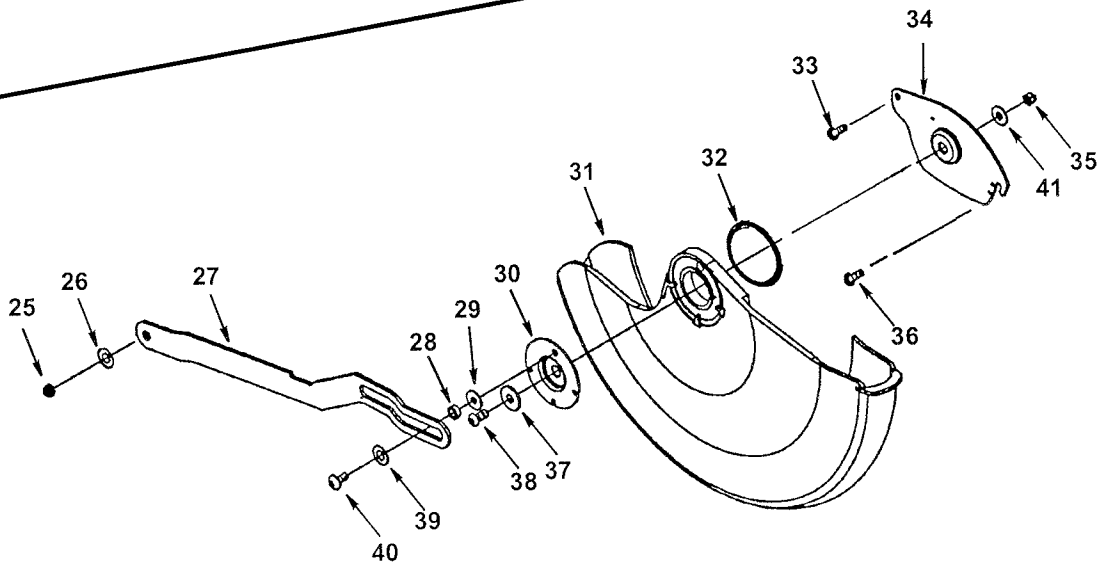
Parts List For RIDGID 12" Compound Miter Saw Model No. MS12501

RIDGID parts are available on-line at www.ridgidparts.com

Figure 2 Upper and Lower Guards



■ To remove this item use a
3mm hex "L" wrench



Repair Parts

Parts List For RIDGID 12" Compound Miter Saw

Model No. MS12501

RIDGID parts are available on-line at www.ridgidparts.com

Figure 2 Upper and Lower Guards ‡

Always order by part number - Not by key number

Key No.	Part No.	Description
1	823351	Screw Arbor
2	816720	Washer Blade
3	823348	Collar Blade
4	828042	Blade
5	827886-2	Screw Sems M5 -35
6	821878	Screw Shoulder 10-32 x 7/8"
7	827498	Sleeve Rubber
8	827512	Lock Arbor
9	827516	Cap Grip
10	823402	•Spring
11	828101-1	Arm Guard Upper
12	823353	Plate Retainer Arbor Lock
13	823404	Screw Flat Hd M5 x 0.8-6
14	823359	Grommet Arbor Lock
15	828045	Bag Dust
16	828038	Elbow
17	828040-1	Screw Soc. Set Lock M6 x 1.0-16
18	827543	Chute Sawdust
19	828119	Screw Sems M5-25
20	816755-6	* Screw Pan Hd M5 x 0.8-16
21	823360	Bumper Lower Guard

Key No.	Part No.	Description
22	820238-2	* Washer 6.5 x 11.8 x 1.6
23	821862	Bearing
24	821875-1	Screw Shoulder M6-14
25	817449-1	Nut Hex Lock M6 x 1.0
26	820238-5	* Washer 6.5 x 13 x 0.8
27	823340-1	Link Actuator
28	820725-01	Spacer 7 x 10 x 4
29	820732-2	Washer 5.5 x 16 x 0.8
30	826879	Retainer Guard
31	826878	• Guard Lower
32	816677	Spring Guard
33	821873	Screw Shoulder 10-32x.50
34	826876	Pivot Lower Guard
35	817449-1	Nut Hex Lock M6 x 1.0
36	809372-3	* Screw Pan Hd 10-32 x 1/2
37	827409	Retainer Bearing
38	828142	* Screw Flat Hd M6 x 1.0-13
39	820732-1	* Washer 7.5 x 16 x 0.6
40	820724-01	Screw Shoulder M5 x 0.8-16
41	828141	Washer 1/4 x 16 x 1

* Standard Hardware Item - May Be Purchased Locally.

‡ CAUTION: See Mechanical Assembly Caution below.

• WARNING: Uncontrolled spring release of misinstallation of these parts may create a Hazard unless repair is done by a qualified service technician.

CAUTION: Mechanical Assembly, to qualified service technician.

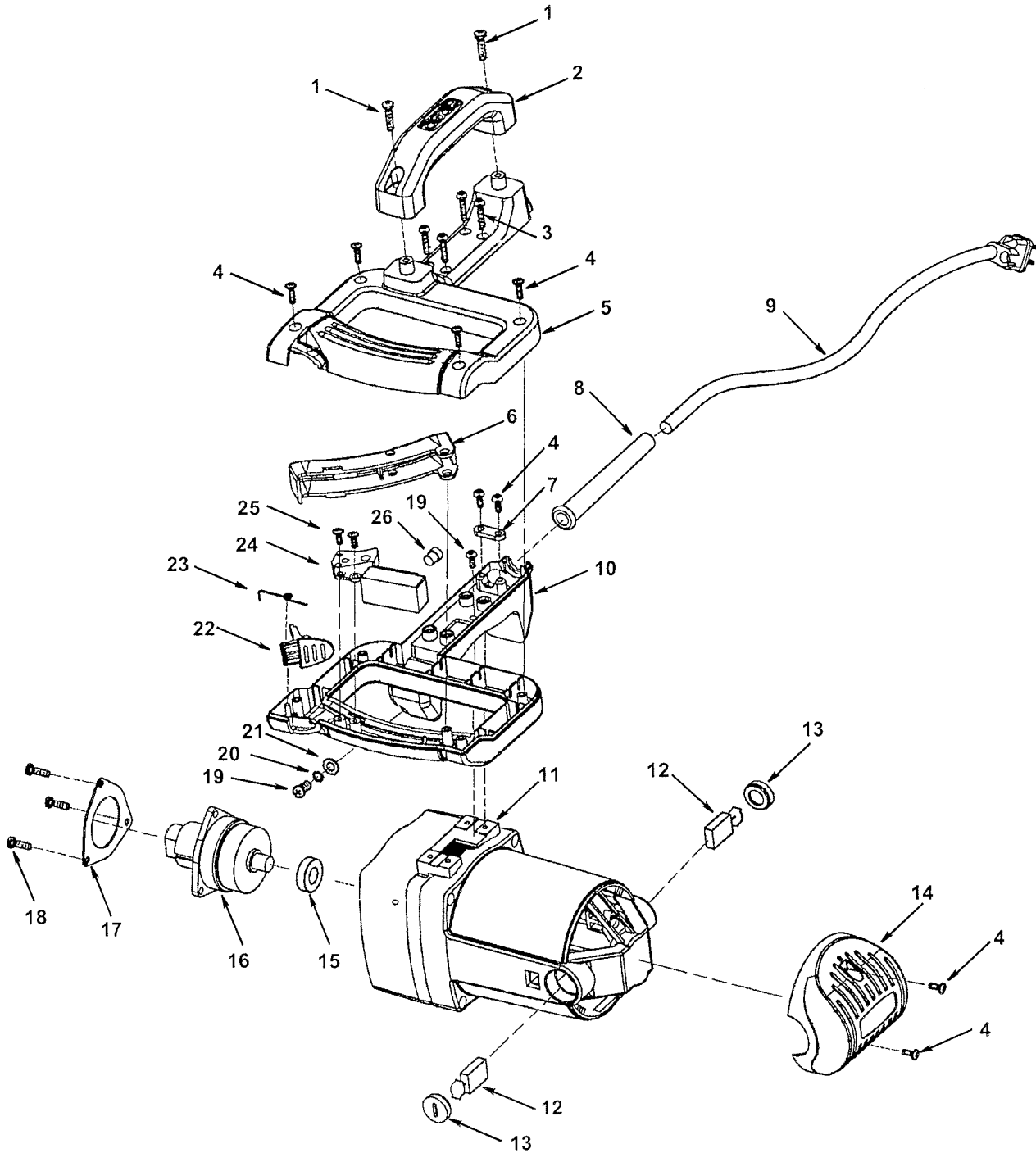
1. Wear approved eye protection when working with coil springs including spring, arbor lock 823402.
2. Incorrect re-assembly of torsion spring 828066 can cause an unsafe condition because cutting head fails to rise fully to stop, or because spring fails through over-stress.
3. Improper reassembly of mechanisms controlling movement of lower guard 826878 can cause an unsafe condition because guard fails to operate freely as cutting head is moved up and down.

Repair Parts

Parts List For RIDGID 12" Compound Miter Saw Model No. MS12501

RIDGID parts are available on-line at www.ridgidparts.com

Figure 3 - Handle and Motor Assembly



Repair Parts

Parts List For RIDGID 12" Compound Miter Saw Model No. MS12501

RIDGID parts are available on-line at www.ridgidparts.com

Figure 3 - Handle and Motor Assembly

Always order by Part Number - Not by Key Number

Key No.	Part No.	Description
1	828123	Screw Pan Hd Ty E M5-30
2	828063	Handle Carry
3	820376-5	*Screw Pan Hd Ty TT M4x0.7-20
4	828122	Screw Pan Hd Ty E M4-14
5	828062	Handle Upper
6	828059	Actuator Switch
7	816725	Clamp Cord
8	821122-1	Guard Cord
9	828057	Cord w/Plug
10	828056	Handle Lower
11	828125	Motor
12	816768	Brush
13	816770	Cover Brush

Key No	Part No.	Description
14	828064	Cover Rear Motor
15	816781	Bearing Needle
16	828133	Spindle Asm
17	823271	Retainer Bearing
18	816755-2	*Screw Pan M5 x 0.8-15
19	820376-4	Screw Pan Hd Ty TT M4x0.7-10
20	813303-4	*Lockwasher M4
21	821102	*Washer 4 x 9 x 0.8
22	828060	Button Lock
23	828061	Spring Torsion
24	823493	Switch
25	828122-1	Screw Pan Hd Ty E M4-10
26	803709-1	*Connector Wire #12-#18

* Standard hardware item - May be purchased locally.

• WARNING: Any attempt to repair or replace electrical parts on this unit may create a hazard unless repair is done by a qualified service technician.

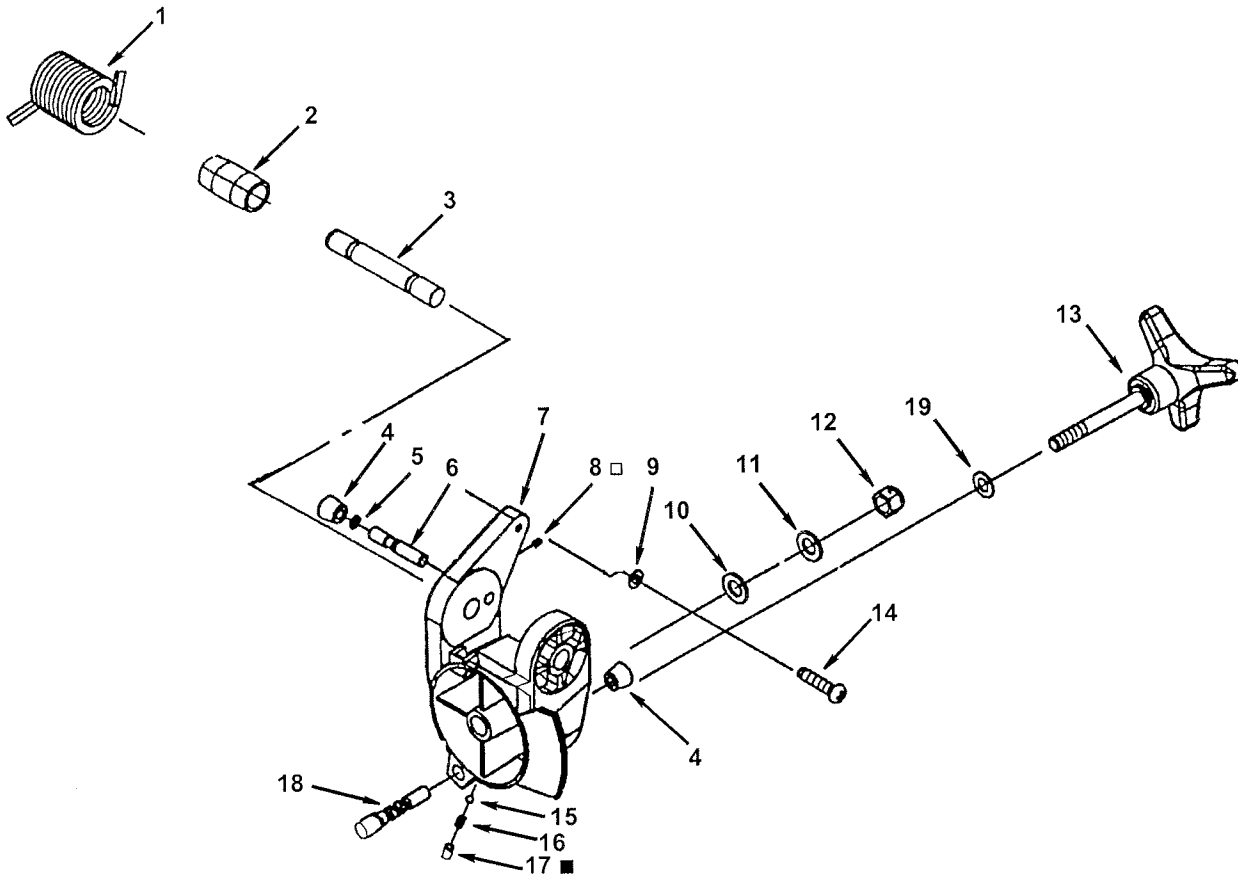
WARNING: For your safety, this miter saw is specially insulated. To reduce the risk of electrical shock, fire or injury, use only parts identical to those identified in the parts list. Reassemble exactly as originally assembled.

Repair Parts

Parts List For RIDGID 12" Compound Miter Saw Model No. MS12501

RIDGID parts are available on-line at www.ridgidparts.com

Figure 4 - Pivot Assembly



Always order by Part Number - Not by Key Number

Key No.	Part No.	Description
1	828066	‡Spring Torsion
2	823320	Spacer Torsion Spring
3	823344	Shaft Arm Pivot
4	828034	Cap Rubber
5	821421-2	Ring "O"
6	828035	Pin Locking
7	828107-1	Pivot
8	828120	Screw Set Lock M4 x 0.7-5
9	821063-1	*Washer 8 x 16 x 0.5
10	828117	Washer 12.5 x 22 x 2

Key No.	Part No.	Description
11	819179	Washer Spring 12.7 x 22 x 0.3
12	818656	Nut Lock M12 x 1.75
13	827488	Knob Bevel
14	821875-4	Screw Shoulder M6 x 23
15	823742-2	Ball 5mm
16	828039	Spring
17	828040	Screw Set Lock M6 x 1.0-10
18	828041-1	Pin Bevel Index
19	828170	* Washer 10 x 20 x 2

* Standard hardware item - May be purchased locally.

■ To remove this item use a 3mm hex "L" wrench.

□ To remove this item use a 2mm hex "L" wrench.

‡ CAUTION: See mechanical assembly caution on page 31.