

**RIDGID**

**10 in. COMPOUND MITER SAW  
MODEL NO. MS1065LZA  
REPAIR SHEET**

**SCIE À ONGLETS COMPOSÉS  
DE 254 mm (10 po)  
MODÈLE MS1065LZA  
FEUILLE DE RÉPARATION**

**SIERRA INGLETEADORA COMBINADA  
DE 254 mm (10 pulg.)  
MODELO MS1065LZA  
LISTAS DE PIEZAS DE REPUESTO**

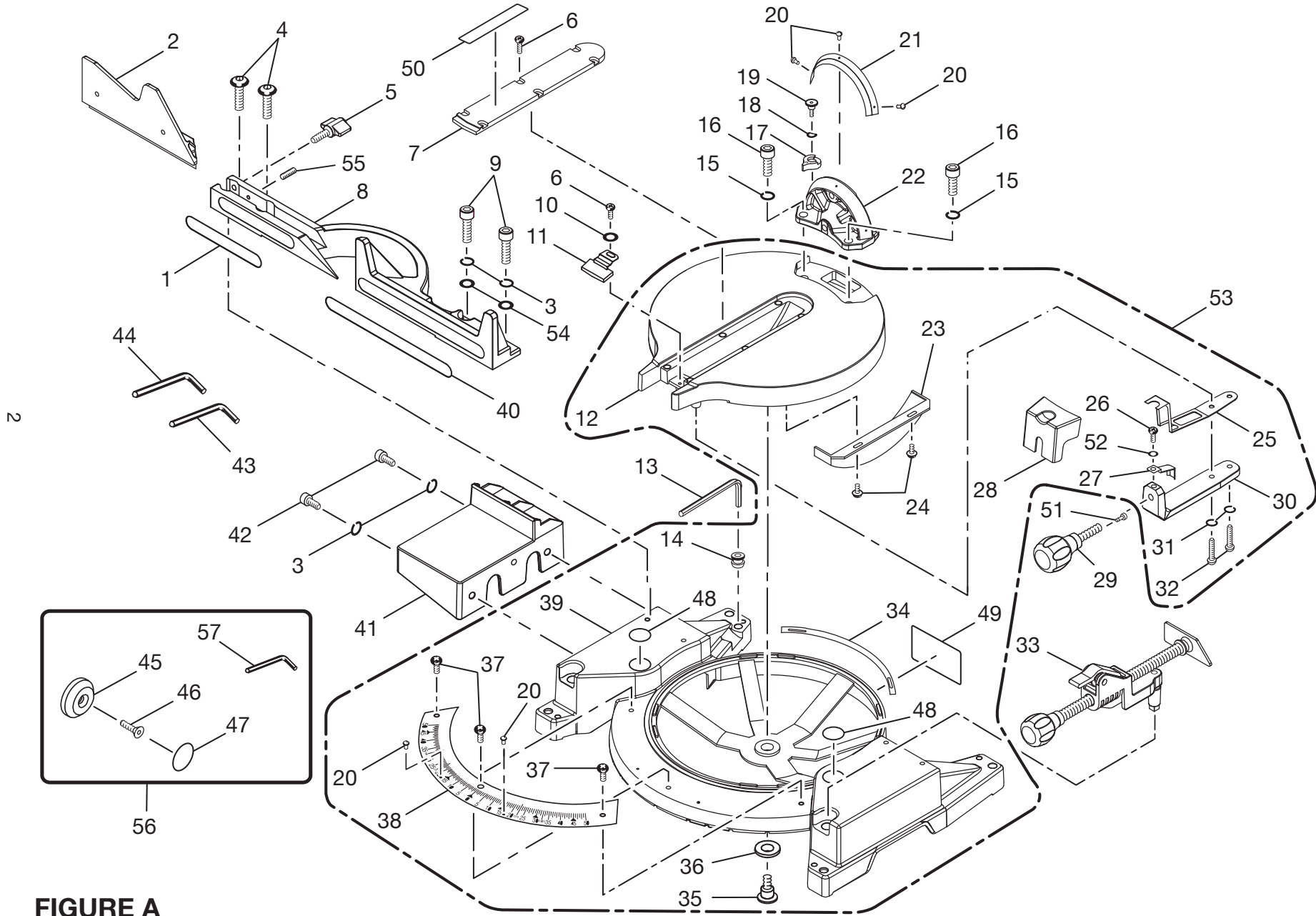


FIGURE A



MS1065LZA

PARTS LIST FOR FIGURE A

KEY	PART		KEY NO.	PART NUMBER	DESCRIPTION	QTY.
1	503120000	LABEL .....	32	A08007060250	SCREW (M6 x 25L) .....	2
2	503116100	SLIDING MITER FENCE.....	33	503A07010	WORK CLAMP ASSEMBLY .....	1
3	A36070814200	SPRING WASHER (M8).....	34	503103000	WEAR STRIP .....	2
4	A08007080250	SCREW (M8 x 25L).....	35	503111000	TABLE SPINDLE .....	1
5	503117000	KNOB .....	36	503112000	WASHER.....	1
6	A10007040100	SCREW (M4 x 10L).....	37	A10007050105	SCREW (M5 x 10L) .....	3
7	503114000	THROAT PLATE.....	38	503102000	MITER SCALE.....	1
8	503115100	FENCE.....	39	503101100	MITER TABLE FRAME .....	1
9	503122000	SCREW (M8 x 25L, SOC. HD.).....	40	503119000	LABEL.....	1
10	A35070410010	FLAT WASHER (M4).....	41	503502000	TABLE EXTENSION.....	1
11	503113000	MITER SCALE INDICATOR .....	42	A07007080150	SCREW (M8 x 15L SOC. HD.) .....	2
12	503104100	MITER TABLE.....	43	A07910610000	HEX KEY (6mm).....	1
13	503121000	HEX KEY (5mm) .....	44	A07910810000	HEX KEY (8mm).....	1
14	503118000	HEX KEY HOLDER.....	45	089100300722	ADJUSTABLE LASER GUIDE .....	1
15	A36071018250	SPRING WASHER (M10).....	46	089100300730	LASER GUIDE BOLT.....	1
16	A07007100350	SCREW (M10 x 35L, SOC. HD.).....	47	089100300727	LASER WARNING LABEL.....	1
17	080036001565	BEVEL ANGLE PIVOT .....	48	588072000	HAND WARNING LABEL .....	2
18	A63020000040	O-RING.....	49	089036003901	DATA LABEL .....	1
19	503210000	FIXED SCREW.....	50	503125000	INSERT WARNING LABEL.....	1
20	A49010020056	RIVET (2.5 x 5L).....	51	503124000	PUSH TIP.....	1
21	503207000	BEVEL SCALE.....	52	A35070511150	FLAT WASHER.....	1
22	503202000	BEVEL PIVOT BRACKET.....	53	S50300400	MITER TABLE ASSEMBLY .....	1
23	503106000	TABLE HOLD DOWN.....	54	A35070816150	FLAT WASHER.....	2
24	A19007040090	SCREW (M4 x 9L).....	55	A18007040150	FIXED SCREW (M4 x 15L) .....	1
25	503107000	LOCK PLATE .....	56	089100300718	ADJUSTABLE LASER KIT (INC. KEY NOS. 45, 46, 47, 57, 58 AND 59)...	1
26	A10007050080	SCREW (M5 x 8L) .....	57	089100300726	HEX KEY (1/16 in.).....	1
27	503109000	SPRING PLATE .....	58	089100300728	INSTRUCTION SHEET (NOT SHOWN).....	1
28	503108000	SLEEVE .....	59	089100300729	CARD (NOT SHOWN) .....	1
29	503105000	TABLE LOCK KNOB.....				
30	503110000	CONTROL ARM .....				
31	A36070612150	SPRING WASHER (M6).....				

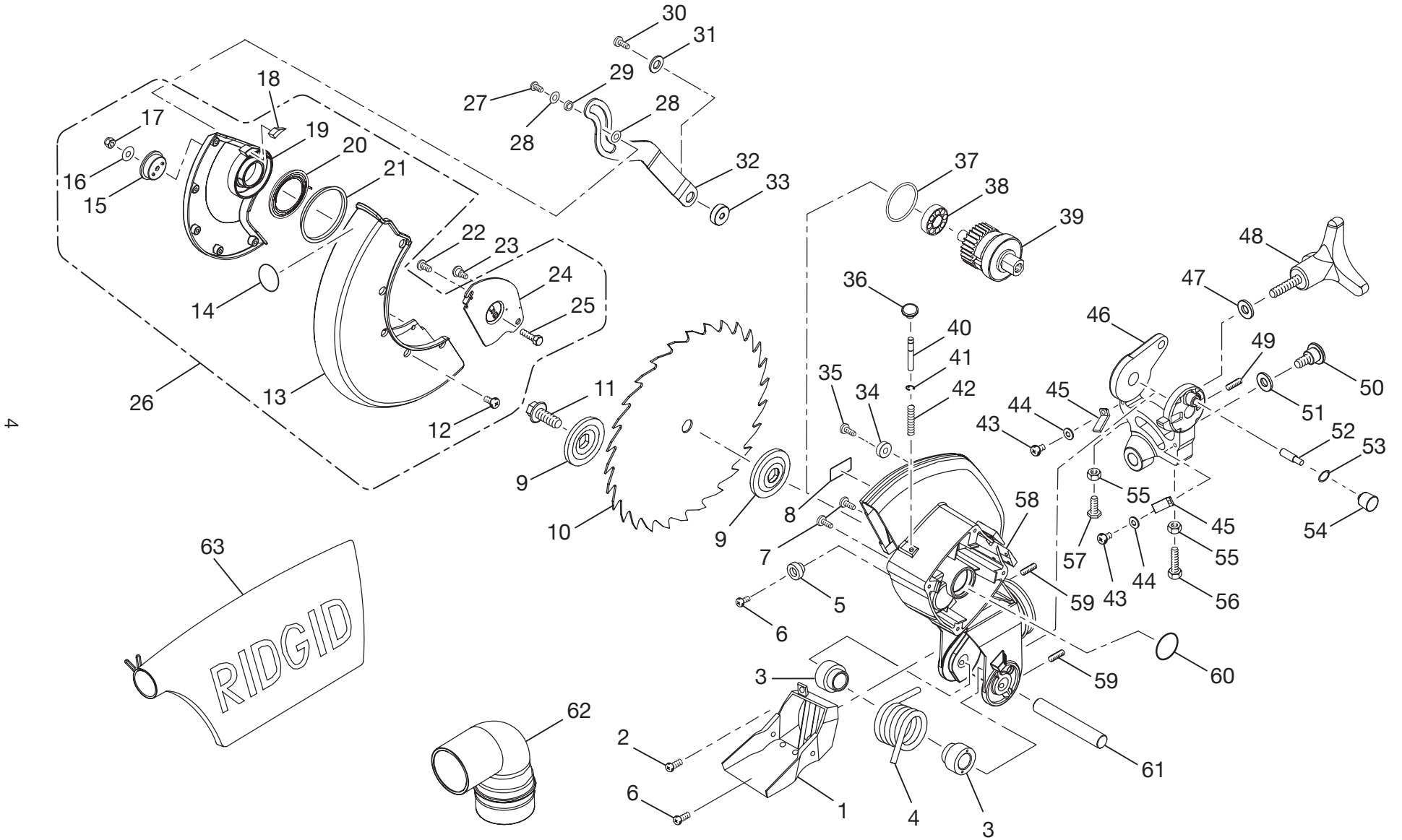


FIGURE B



# MS1065LZA

## PARTS LIST FOR FIGURE B

KEY NO.	PART NUMBER	DESCRIPTION	QTY.	KEY NO.	PART NUMBER	DESCRIPTION	QTY.
1	503320100	DUST CHUTE .....	1	33	503411000	LINK WASHER.....	1
2	A16007050050	SCREW (M5 x 5L).....	1	34	503304000	ROLLER .....	1
3	538327000	SPACER .....	2	35	503305000	SCREW .....	1
4	503319000	TORSION SPRING .....	1	36	503303000	SPINDLE KNOB (CAP).....	1
5	503306000	RUBBER SLEEVE.....	1	37	A63020000428	O-RING .....	1
6	A19007050120	SCREW (M5 x 10L) .....	2	38	A50060000027	BALL BEARING .....	1
7	588031004	FIXED SCREW.....	2	39	503A04010	ARBOR SHAFT ASSEMBLY (INC. 38) .....	1
8	503329000	UPPER ARM WARNING LABEL .....	1	40	503302000	SPINDLE LOCK PIN .....	1
9	588035105	FLANGE .....	2	41	A47000040006	E-RING .....	1
10	503501000	BLADE.....	1	42	588027005	COMPRESSION SPRING .....	1
11	503412000	SCREW .....	1	43	A10007040100	SCREW (M4 x 10L) .....	2
12	503402000	T-SCREW .....	5	44	A35070406010	FLAT WASHER (M4).....	2
13	503401000	LOWER GUARD .....	1	45	503204000	INDICATOR .....	2
14	588072000	HAND WARNING LABEL .....	1	46	503201000	SUPPORT BRACKET .....	1
15	503407000	SPACER .....	1	47	A35071025150	FLAT WASHER (M10).....	1
16	A35070619150	FLAT WASHER (M6) .....	1	48	503203000	BEVEL LOCK KNOB.....	1
17	A31707006000	LOCK NUT (M6) .....	1	49	A18003040080	FIXED SCREW (M4 x 8L) .....	1
18	503414000	SPONGE .....	1	50	503208000	PIVOT SHAFT .....	1
19	503403100	GUARD PLATE .....	1	51	589011308	WASHER.....	1
20	503406000	TENSION SPRING.....	1	52	503205000	STOP PIN.....	1
21	503413000	INNER PAD.....	1	53	A63000000062	O-RING .....	1
22	A19007050090	SCREW (M5 x 9L).....	1	54	503206000	SPINDLE KNOB (CAP).....	1
23	503405000	SCREW .....	1	55	A30007006360	NUT (M6).....	2
24	503404100	BLADE BOLT COVER.....	1	56	A01007060160	BOLT (M6 x M16 HEX HD.).....	1
25	503415000	BOLT .....	1	57	503415000	BOLT .....	1
26	S50300300	LOWER GUARD ASSEMBLY .....	1	58	503301100	ARM .....	1
27	A10007050156	SCREW (M5 x 15L).....	1	59	A18007060150	FIXED SCREW (M6 x 15L) .....	2
28	503410000	WASHER .....	2	60	A63020000320	O-RING .....	1
29	A50010500020	BALL BEARING.....	1	61	503321000	SHAFT.....	1
30	A10007060200	SCREW (M6 x 20L).....	1	62	503503000	DUST GUIDE .....	1
31	A35070619150	FLAT WASHER (M6) .....	1	63	503512000	DUST BAG.....	1
32	503408000	LINK ASSEMBLY.....	1				

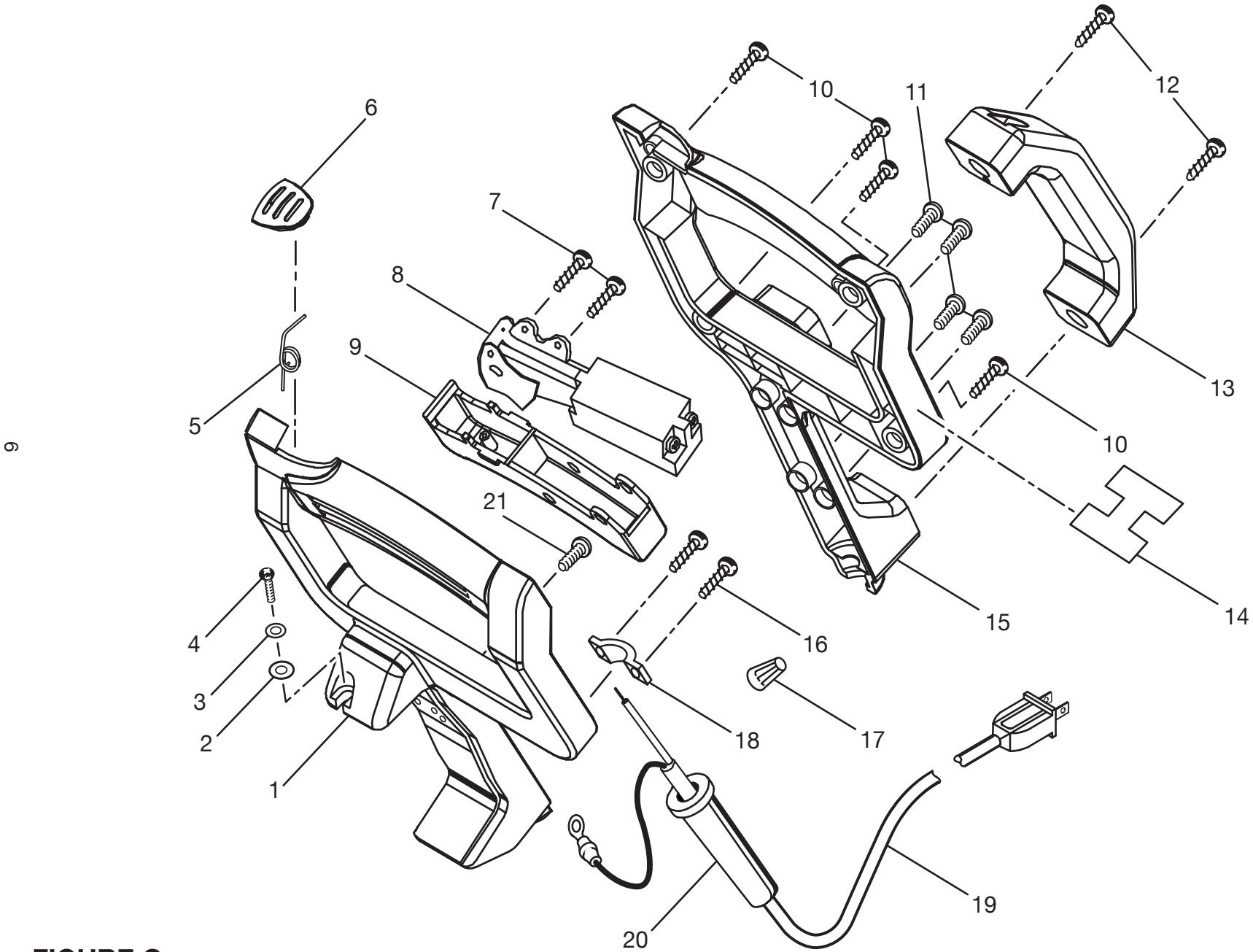


FIGURE C

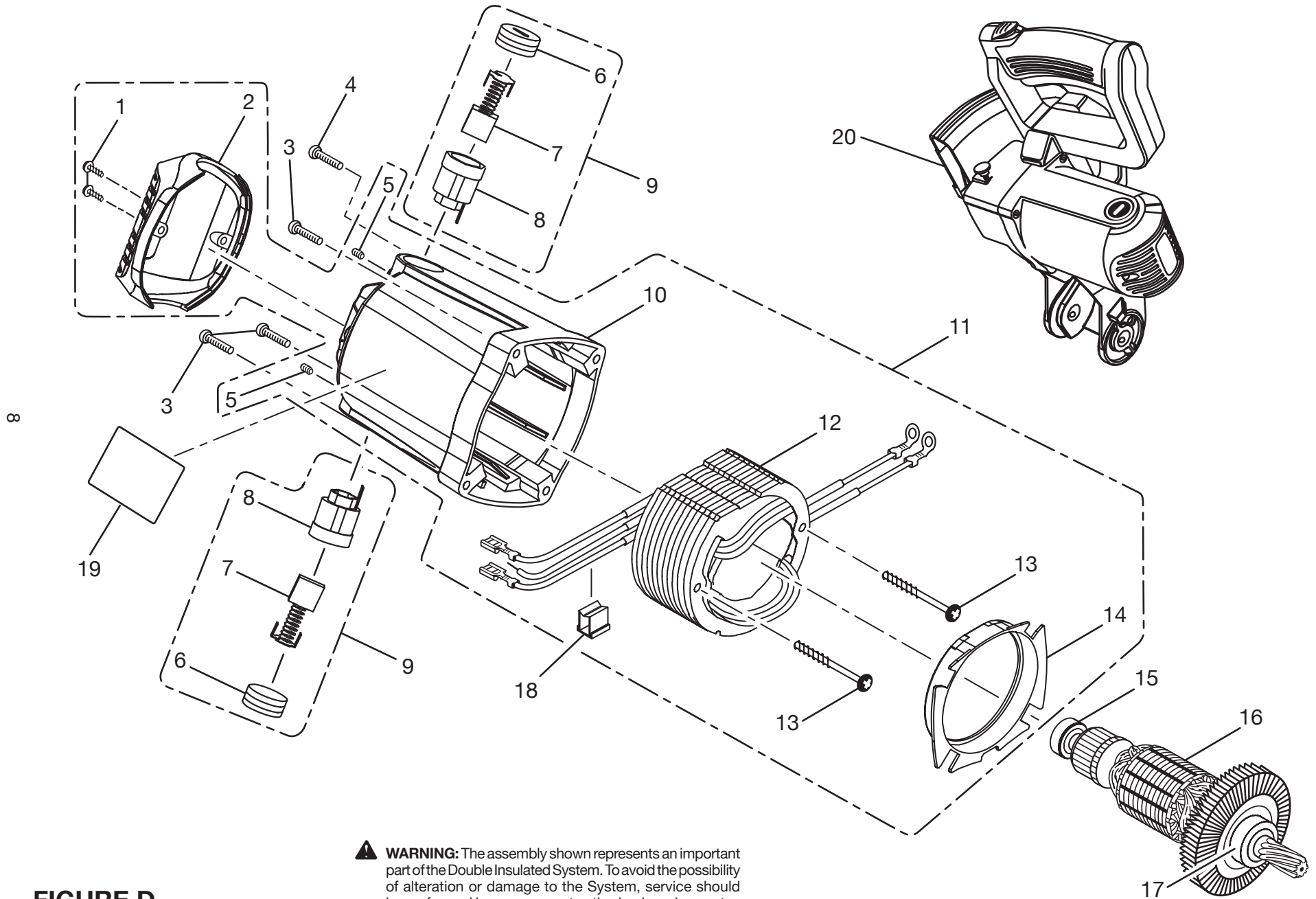


MS1065LZA

PARTS LIST FOR FIGURE C

KEY NO.	PART NUMBER	DESCRIPTION	QTY.	KEY NO.	PART NUMBER	DESCRIPTION	QTY.
1	503311000	LOWER HANDLE .....	1	12	A29007050200	SCREW (M5 x 20L).....	2
2	A35070410010	FLAT WASHER (M4).....	1	13	503315000	CARRYING HANDLE.....	1
3	A36070407010	SPRING WASHER (M4).....	1	14	503326000	WARNING LABEL .....	1
4	A10007040120	SCREW (M4 x 12L).....	1	15	503310000	UPPER HANDLE .....	1
5	503316000	SPRING.....	1	16	A90007040120	SCREW (M4 x 12L).....	2
6	503314000	SAFETY BUTTON .....	1	17	503324000	ELECTRICAL NUT.....	1
7	A29007040080	SCREW (M4 x 8L).....	2	18	578313006	CORD CLAMP.....	1
8	503317000	SWITCH .....	1	19	503318000	POWER CORD.....	1
9	503313000	TRIGGER.....	1	20	588004100	CORD BEND RELIEF .....	1
10	A29007040140	SCREW (M4 x 14L).....	4	21	A10007050083	SCREW (M5 x 8L).....	1
11	A19007050180	SCREW (M5 x 18L).....	4				

7



**⚠ WARNING:** The assembly shown represents an important part of the Double Insulated System. To avoid the possibility of alteration or damage to the System, service should be performed by your nearest authorized service center.

**FIGURE D**





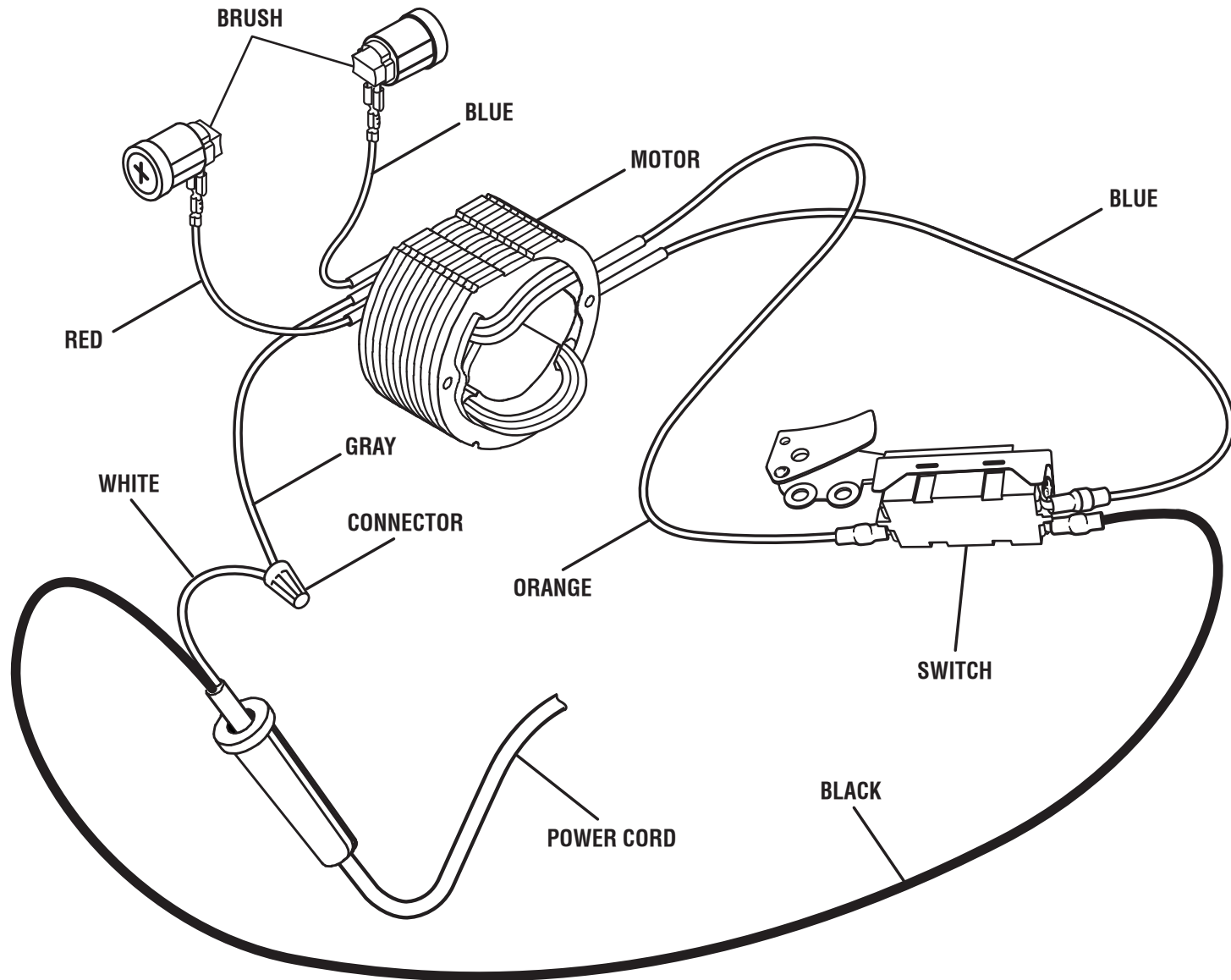
MS1065LZA

PARTS LIST FOR FIGURE D

KEY NO.	PART NUMBER	DESCRIPTION	QTY.
1	A29007040080	SCREW (M4 x 8L) .....	2
2	503309000	END CAP .....	1
3	A19007050250	SCREW (M5 x 25L).....	3
4	A19007050200	SCREW (M5 x 20L).....	1
5	A18007050080	FIXED SCREW (M5 x 8L).....	2
6	588005105	BRUSH CAP .....	2
7	588006100	BRUSH .....	2
8	588007300	BRUSH HOLDER .....	2
9	089036003700	BRUSH ASSEMBLY .....	2
10	503308000	MOTOR HOUSING.....	1

6

KEY NO.	PART NUMBER	DESCRIPTION	QTY.
11	S50300500	MOTOR HOUSING ASSEMBLY .....	1
12	9053D02000	FIELD ASSEMBLY .....	1
13	A90107050600	SCREW (M5 x 60L).....	2
14	503312000	FAN CASING .....	1
15	A50060020056	BALL BEARING .....	1
16	9053C01000	ARMATURE ASSEMBLY (INC. # 15 & 17) .....	1
17	A50006080049	BALL BEARING.....	1
18	503323000	LEAD SLEEVE .....	1
19	503328000	WARNING LABEL .....	1
20	S50300200	MOTOR ASSEMBLY.....	1
	987000015	OPERATOR'S MANUAL	



### WIRING DIAGRAM

# RIDGID MS1065LZA

11

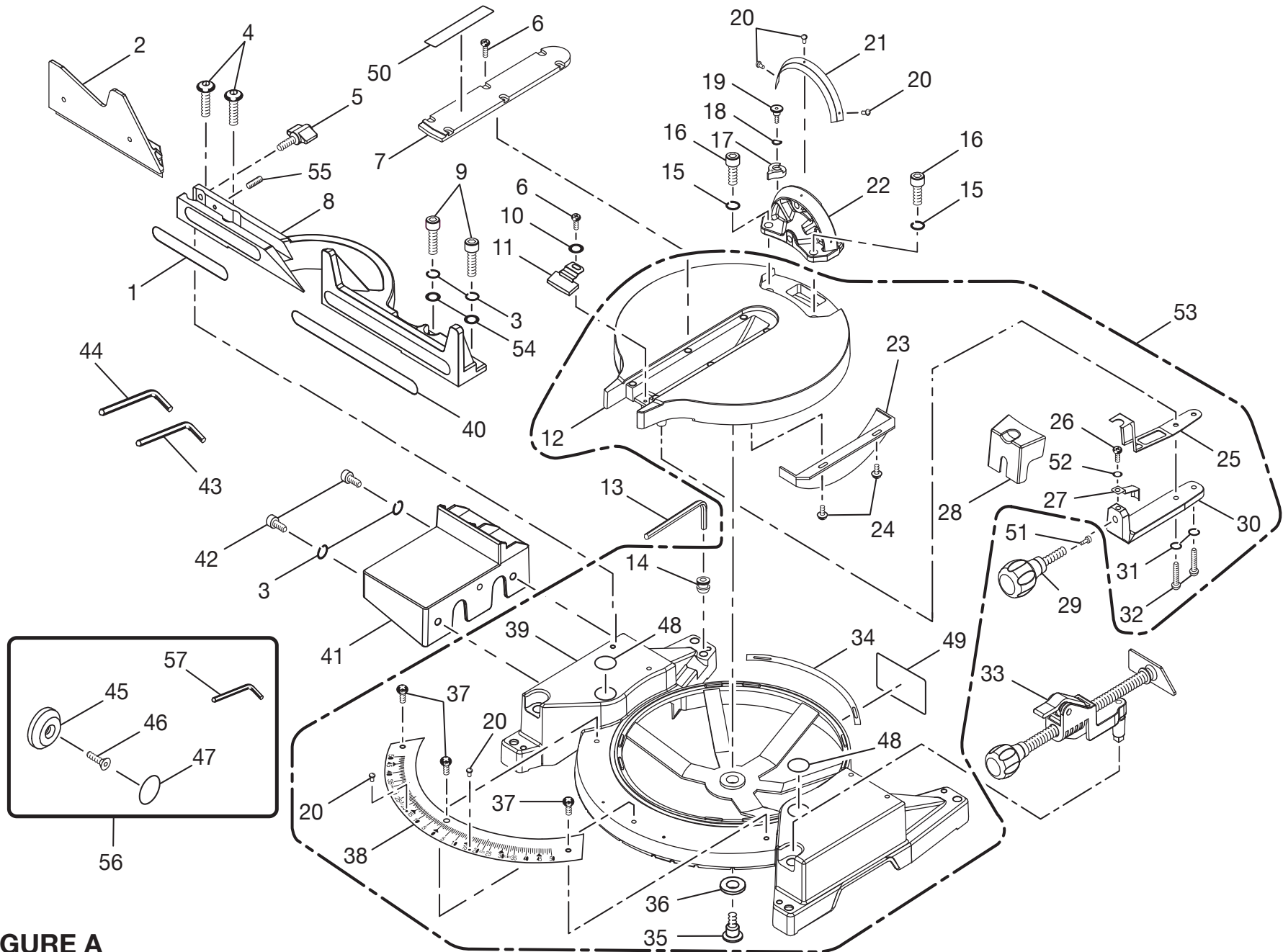


FIGURE A



MS1065LZA

LISTE DES PIÈCES DE LA FIGURE A

Code No.	Pièce Numéro	Description	Quan.	Code No.	Pièce Numéro	Description	Quan.
1	503120000	AUTOCOLLANT .....	1	32	A08007060250	VIS (M6 X 25L) .....	2
2	503116100	GUIDE D'ONGLET COULISSANT .....	1	33	503A07010	SERRE-JOINT .....	1
3	A36070814200	RONDELLE ÉLASTIQUE (M8) .....	4	34	503103000	BANDE D'USURE .....	2
4	A08007080250	VIS (M8 X 25L) .....	2	35	503111000	BROCHE DE TABLE .....	1
5	503117000	BOUTON .....	1	36	503112000	RONDELLE .....	1
6	A10007040100	VIS (M4 X 10) .....	7	37	A10007050105	VIS (M5 X 10) .....	5
7	503114000	PLAQUE À GORGE .....	1	38	503102000	RAPPORTEUR D'ONGLET .....	1
8	503115100	GUIDE .....	1	39	503101100	CADRE DE TABLE À ONGLETS .....	1
9	503122000	VIS (M8 X 25L À TÊTE CREUSE) .....	2	40	503119000	AUTOCOLLANT .....	1
10	A35070410010	RONDELLE PLATE (M4) .....	1	41	503502000	RALLONGE DE TABLE .....	1
11	503113000	RAPPORTEUR D'ONGLET .....	1	42	A07007080150	VIS (M8 X 15L TÊTE CREUSE.) .....	2
12	503104100	TABLE À ONGLETS .....	1	43	A07910610000	CLÉ HEXAGONALE (6 mm) .....	1
13	503121000	CLÉ HEXAGONALE (5mm) .....	1	44	A07910810000	CLÉ HEXAGONALE (8 mm) .....	1
14	503118000	PORTE-CLÉS HEXAGONALES .....	1	45	089100300723	LASER D'AJUSTEMENT DE GUIDE .....	1
15	A36071018250	RONDELLE ÉLASTIQUE (M10) .....	2	46	089100300730	BOULON DE GUIDE LASER .....	1
16	A07007100350	VIS (M10 X 25 À TÊTE CREUSE) .....	2	47	089100300727	AUTOCOLLANT D'AVERTISSEMENT LASER .	1
17	080036001565	PIVOT D'ANGLE DE BISEAU .....	1	48	588072000	AUTOCOLLANT D'AVERTISSEMENT MAINS .	2
18	A63020000040	JOINT TORIQUE .....	1	49	089036003901	ÉTIQUETTE SIGNALÉTIQUE .....	1
19	503210000	VIS CAPTIVE .....	1	50	503125000	AUTOCOLLANT D'AVERTISSEMENT INSERT .....	1
20	A49010020056	RIVET (2,5 X 5L) .....	5	51	503124000	EMBOUT POUSSOIR .....	1
21	503207000	ÉCHELLE DE BISEAU .....	1	52	A35070511150	RONDELLE PLATE .....	1
22	503202000	SUPPORT DE PIVOT DE BISEAU .....	1	53	S50300400	TABLE À ONGLET .....	1
23	503106000	FIXATION DE TABLE .....	1	54	A35070816150	RONDELLE PLATE .....	2
24	A19007040090	VIS (M4 X 9L) .....	2	55	A18007040150	VIS CAPTIVE (M4 X 15L) .....	1
25	503107000	PLAQUE DE VERROUILLAGE .....	1	56	089100300719	TROUSSE LASER D'AJUSTABLE (INCL. PIÈCES NO 45, 46, 47, 57, 58 ET 59) ..	1
26	A10007050080	VIS (M5 X 8L) .....	2	57	089100300726	CLÉ HEX (1/16 po) .....	1
27	503109000	PLAQUE À RESSORT .....	1	58	089100300728	FEUILLE D'INSTRUCTION (VITESSE À VIDE) .....	1
28	503108000	MANCHON .....	1	59	089100300729	CARTE (VITESSE À VIDE)	
29	503105000	BOUTON DE VERROUILLAGE DE TABLE .....	1				
30	503110000	BRAS DE COMMANDE .....	1				
31	A36070612150	RONDELLE ÉLASTIQUE (M6) .....	2				

# RIDGID<sup>®</sup> MS1065LZA

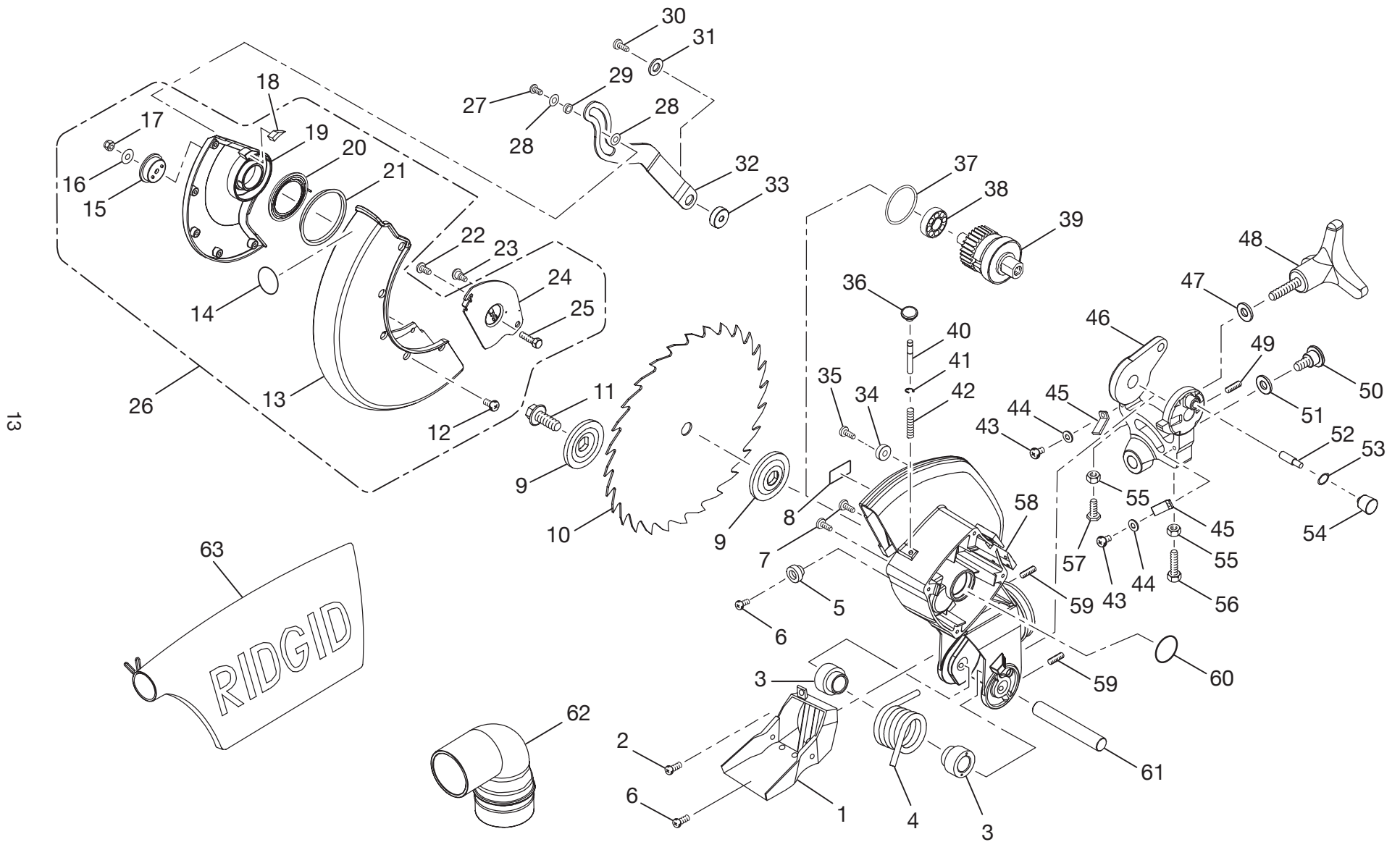


FIGURE B

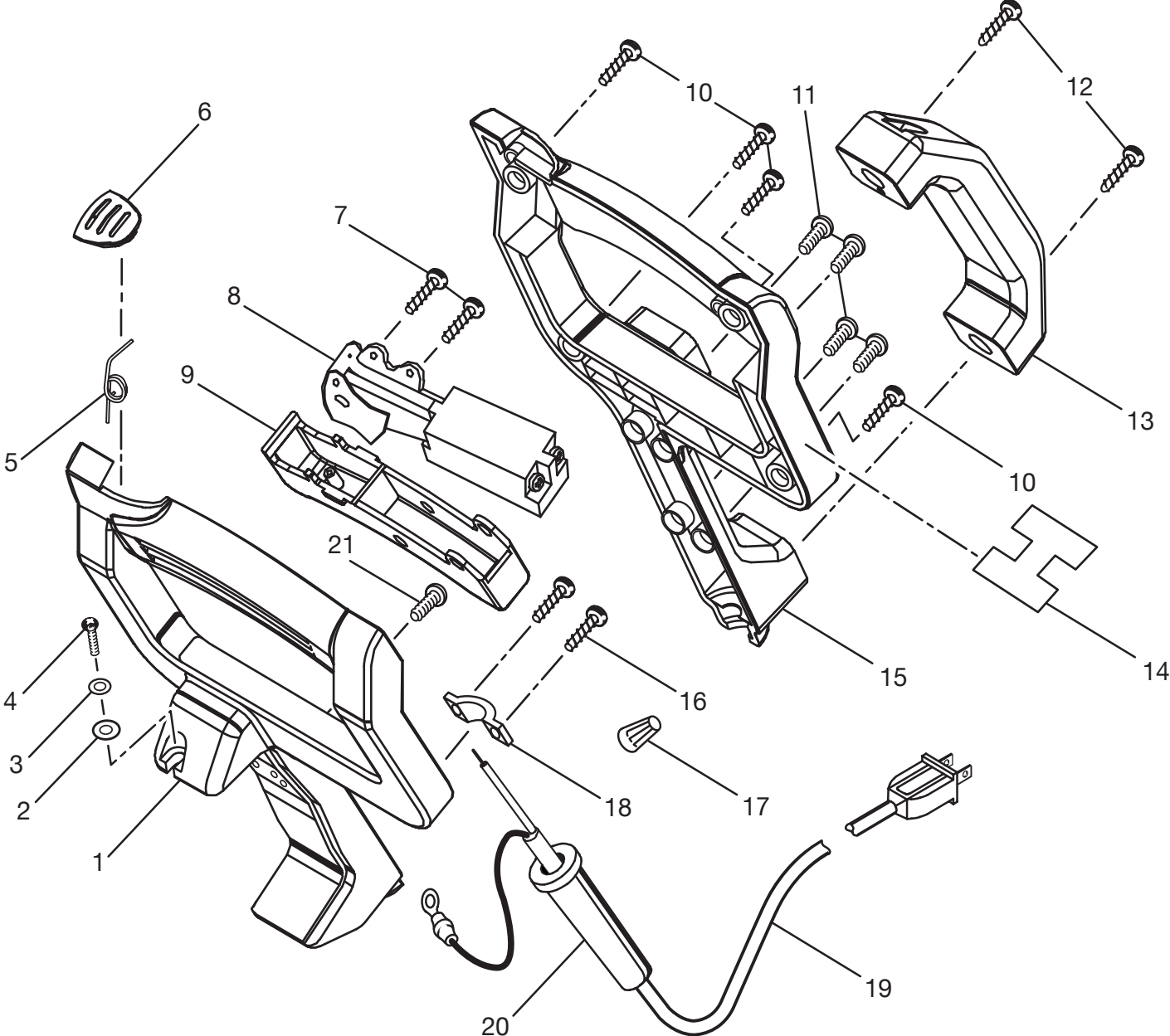


MS1065LZA

LISTE DES PIÈCES DE LA FIGURE B

Code No.	Pièce Numéro	Description	Quan.	Code No.	Pièce Numéro	Description	Quan.
1	503320100	GOULOTTE À SCIURE .....	1	33	503411000	RONDELLE D'ARTICULATION .....	1
2	A16007050050	VIS (M5 X 5L) .....	1	34	503304000	ROULEAU .....	1
3	538327000	PIÈCE D'ÉCARTEMENT .....	2	35	503305000	VIS .....	1
4	503319000	RESSORT DE TORSION.....	1	36	503303000	BOULON DE BROCHE (CAP).....	1
5	503306000	MANCHON CAOUTCHOUC.....	1	37	A63020000428	JOINT TORIQUE .....	1
6	A19007050120	VIS (M5 X 10L) .....	2	38	A50060000027	ROULEMENT À BILLE .....	1
7	588031004	VIS CAPTIVE.....	2	39	503A04010	ARBRE MOTEUR (INC. 38).....	1
8	503329000	AUTOCOLLANT D'AVERTISSEMENT BRAS SUPÉRIEUR .....	1	40	503302000	GOUPILLE DE VERROUILLAGE DE BROCHE .....	1
9	588035105	BRIDE .....	2	41	A47000040006	CLIP EN E .....	1
10	503501000	LAME .....	1	42	588027005	RESSORT DE COMPRESSION .....	1
11	503412000	VIS .....	1	43	A10007040100	VIS (M4 X 10L) .....	2
12	503402000	VIS ET T .....	5	44	A35070406010	RONDELLE PLATE (M4).....	2
13	503401000	GARDE INFÉRIEURE.....	1	45	503204000	INDICATEUR.....	2
14	588072000	AUTOCOLLANT D'AVERTISSEMENT MAINS.....	1	46	503201000	SUPPORT .....	1
15	503407000	PIÈCE D'ÉCARTEMENT .....	1	47	A35071025150	RONDELLE PLATE (M10).....	1
16	A35070619150	RONDELLE PLATE (M6).....	1	48	503203000	BOUTON DE VERROUILLAGE DE BISEAU .....	1
17	A31707006000	ÉCROU DE BLOCAGE (M6).....	1	49	A18003040080	VIS CAPTIVE (M4 X 8L).....	1
18	503414000	ÉPONGE .....	1	50	503208000	AXE DE PIVOT .....	1
19	503403100	PLAQUE DE GARDE .....	1	51	589011308	RONDELLE .....	1
20	503406000	RESSORT DE TENSION .....	1	52	503205000	GOUPILLE D'ARRÊT .....	1
21	503413000	COUSSINET INTERNE .....	1	53	A63000000062	JOINT TORIQUE .....	1
22	A19007050090	VIS (M5 X 9L) .....	1	54	503206000	BOULON DE BROCHE (CAP).....	1
23	503405000	VIS .....	1	55	A30007006360	ÉCROU (M6) .....	2
24	503404100	CAPUCHON DE BOULON DE LAME .....	1	56	A01007060160	BOULON (M6 X M16 À TÊTE CREUSE) .....	1
25	503415000	BOULON .....	1	57	503415000	BOULON .....	1
26	S50300300	GARDE DE LAME INFÉRIEURE.....	1	58	503301100	BRAS .....	1
27	A10007050156	VIS (M5 X 15L) .....	1	59	A18007060150	VIS CAPTIVE (M6 X 15L).....	2
28	503410000	RONDELLE .....	2	60	A63020000320	JOINT TORIQUE.....	1
29	A50010500020	ROULEMENT À BILLES.....	1	61	503321000	ARBRE .....	1
30	A10007060200	VIS (M6 X 20L) .....	1	62	503503000	GUIDE SCIURE.....	1
31	A35070619150	RONDELLE PLATE (M6) .....	1	63	503512000	SAC À SCIURE .....	1
32	503408000	ARTICULATION.....	1				

15



**FIGURE C**



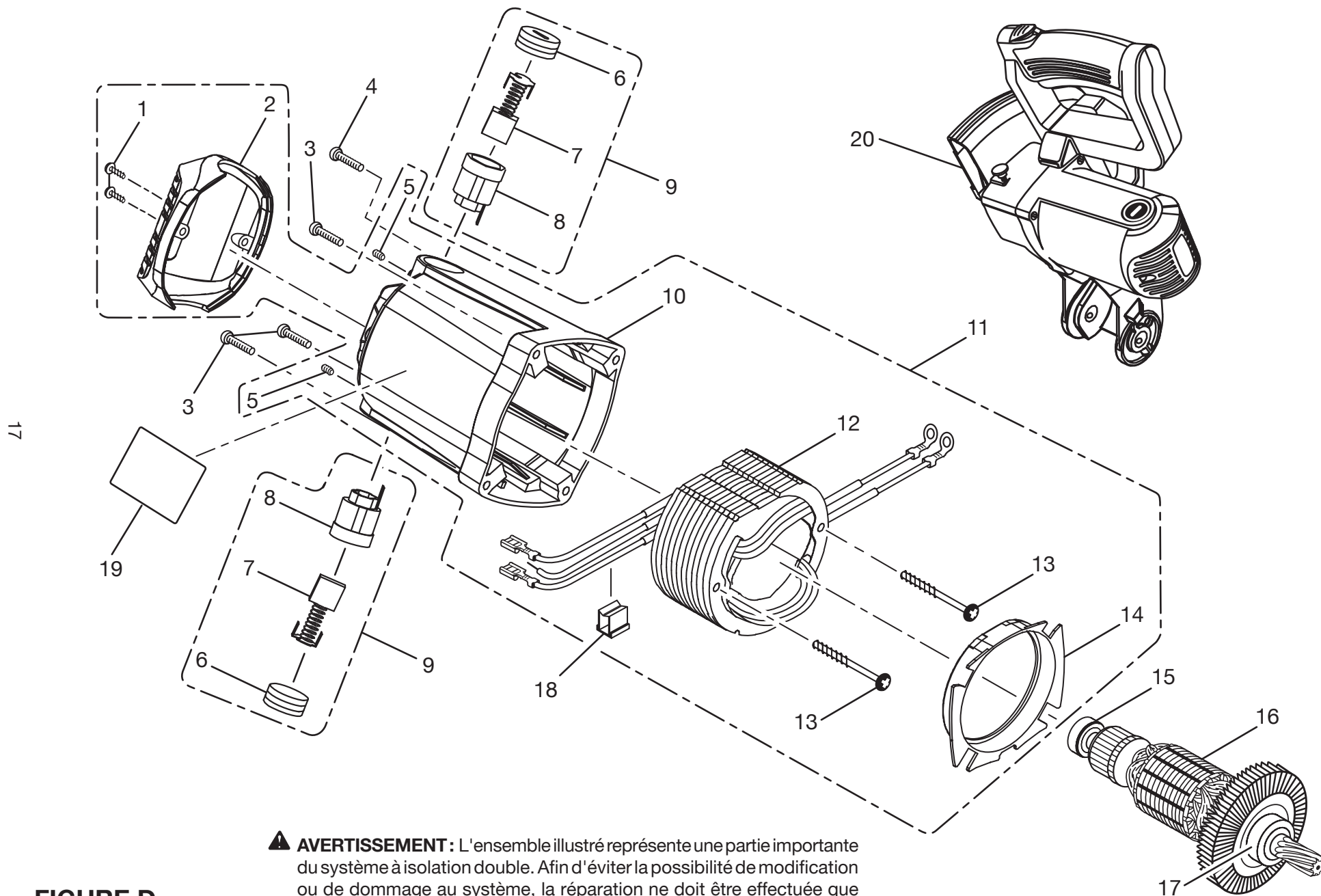
MS1065LZA

LISTE DES PIÈCES DE LA FIGURE C

Code No.	Pièce Numéro	Description	Quan.	Code No.	Pièce Numéro	Description	Quan.
1	503311000	POIGNÉE INFÉRIEURE .....	1	12	A29007050200	VIS (M5 X 20L) .....	2
2	A35070410010	RONDELLE PLATE (M4).....	1	13	503315000	POIGNÉE DE TRANSPORT .....	1
3	A36070407010	RONDELLE ÉLASTIQUE (M4).....	1	14	503326000	AUTOCOLLANT D'AVERTISSEMENT .....	1
4	A10007040120	VIS (M4 X 12) .....	1	15	503310000	POIGNÉE SUPÉRIEURE.....	1
5	503316000	RESSORT .....	1	16	A90007040120	VIS (M4 X 12L) .....	2
6	503314000	BOUTON DE SÛRETÉ .....	1	17	503324000	ÉCROU ÉLECTRIQUE .....	1
7	A29007040080	VIS (M4 X 8L) .....	2	18	578313006	RETENUE DE CORDON .....	1
8	503317000	COMMUTATEUR .....	1	19	503318000	CORDON D'ALIMENTATION .....	1
9	503313000	GÂCHETTE .....	1	20	588004100	SOULAGEMENT DE TORSION DU CORDON .....	1
10	A29007040140	VIS (M4 X 14L) .....	4	21	A10007050083	VIS (M5 X 8L) .....	1
11	A19007050180	VIS (M5 X 18L) .....	4				



# RIDGID<sup>®</sup> MS1065LZA



**⚠ AVERTISSEMENT :** L'ensemble illustré représente une partie importante du système à isolation double. Afin d'éviter la possibilité de modification ou de dommage au système, la réparation ne doit être effectuée que par votre centre de réparation centre commercial autorisé.

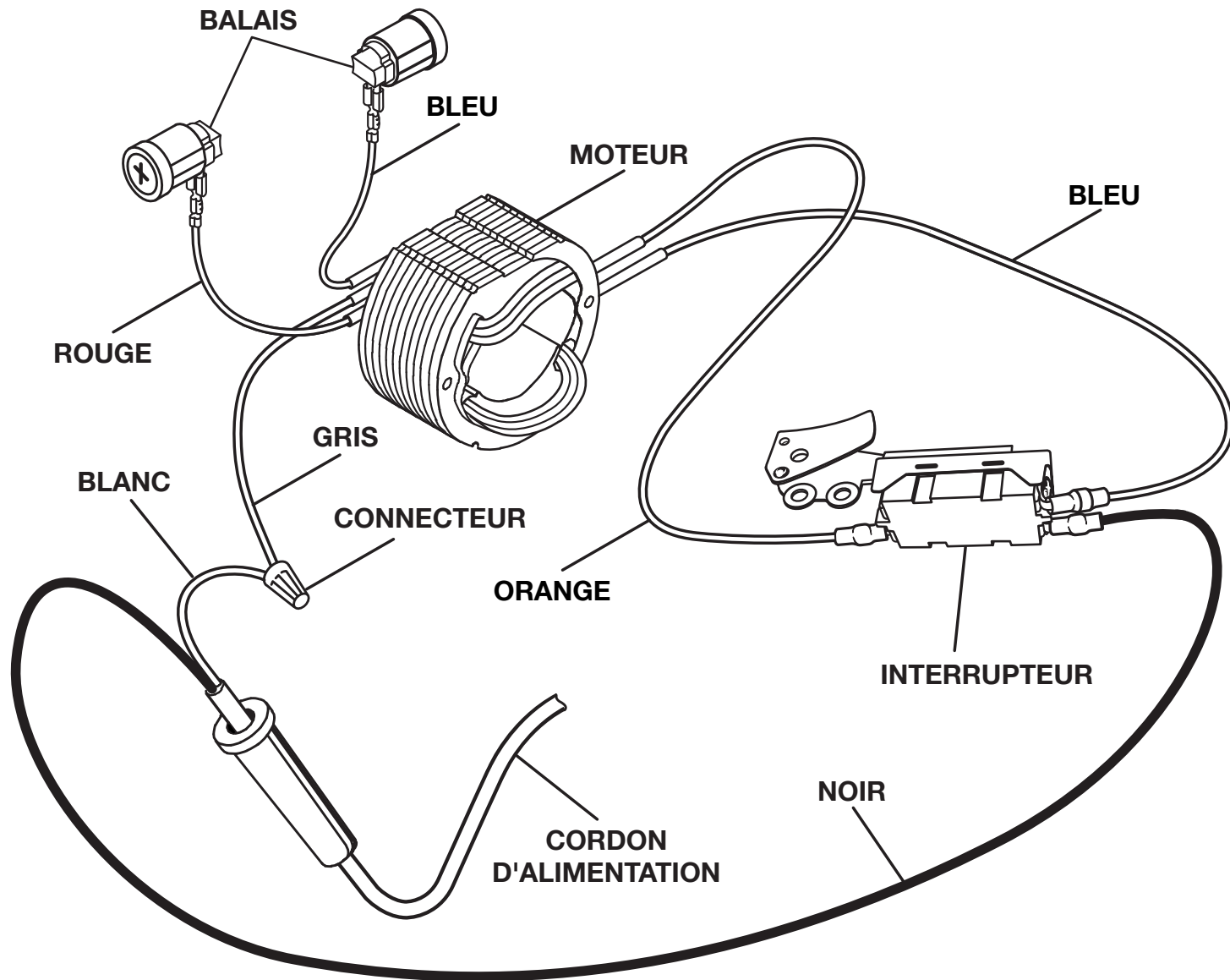
**FIGURE D**



MS1065LZA

LISTE DES PIÈCES DE LA FIGURE D

Code No.	Pièce Numéro	Description	Quan.	Code No.	Pièce Numéro	Description	Quan.
1	A29007040080	VIS (M4 X 8L) .....	2	12	9053D02000	CHAMP .....	1
2	503309000	CAPUCHON D'EXTRÉMITÉ.....	1	13	A90107050600	VIS (M5 X 60L) .....	2
3	A19007050250	VIS (M5 X 25L) .....	3	14	503312000	ENVELOPPE DE VENTILATEUR .....	1
4	A19007050200	VIS (M5 X 20L) .....	1	15	A50060020056	ROULEMENT À BILLE .....	1
5	A18007050080	VIS CAPTIVE (M5 X 8L).....	2	16	9053C01000	INDUIT (INC. 15 ET 17).....	1
6	588005105	COUVERCLE DE BALAIS .....	2	17	A50006080049	ROULEMENT À BILLE .....	1
7	588006100	BALAI .....	2	18	503323000	MANCHON .....	1
8	588007300	SUPPORT DE BALAI .....	2	19	503328000	AUTOCOLLANT D'AVERTISSEMENT .....	1
9	089036003700	BALAI.....	2	20	S50300200	MOTEUR.....	1
10	503308000	BOÎTIER DU MOTEUR.....	1		987000015	MANUEL D'UTILISATION	
11	S50300500	BOÎTER DU MOTEUR.....	1				



### SCHÉMA DE CÂBLAGE

# RIDGID<sup>®</sup> MS1065LZA

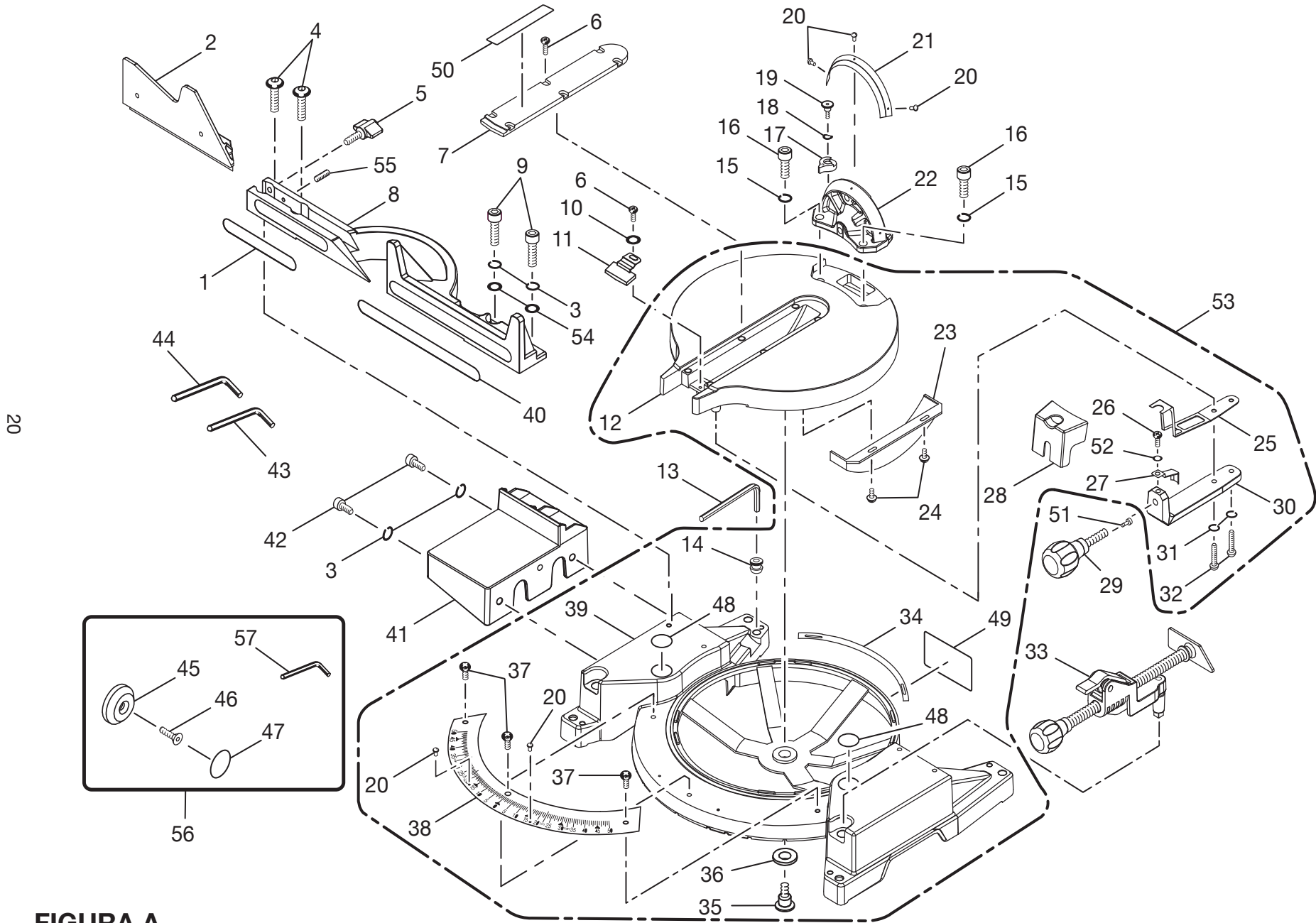


FIGURA A



MS1065LZA

LISTA DE PIEZAS PARA LA FIGURA A

Núm. ref.	Núm. pieza	Descripción	Cant.	Núm. ref.	Núm. pieza	Descripción	Cant.
1	503120000	ETIQUETA .....	1	34	503103000	TIRA PROTECTORA.....	2
2	503116100	GUÍA DE INGLETES DESLIZABLE.....	1	35	503111000	HUSILLO DE LA MESA .....	1
3	A36070814200	RONDANA ELÁSTICA (M8).....	4	36	503112000	RONDANA .....	1
4	A08007080250	TORNILLO (M8 X 25L) .....	2	37	A10007050105	TORNILLO (M5 X 10L) .....	5
5	503117000	PERILLA.....	1	38	503102000	ESCALA DE INGLETES .....	1
6	A10007040100	TORNILLO (M4 X 10L) .....	7	39	503101100	ARMAZÓN DE LA MESA DE INGLETES .....	1
7	503114000	PLACA DE LA GARGANTA .....	1	40	503119000	ETIQUETA.....	1
8	503115100	GUÍA.....	1	41	503502000	EXTENSIÓN DE LA MESA.....	1
9	503122000	TORNILLO (M8 X 25L CAB. HUE.).....	2	42	A07007080150	TORNILLO (M8 X 15L SOC. HD.) .....	2
10	A35070410010	RONDANA PLANA (M4).....	1	43	A07910610000	LLAVE HEXAGONAL (6mm) .....	1
11	503113000	INDICADOR DE ESCALA DE INGLETES .....	1	44	A07910810000	LLAVE HEXAGONAL (8mm) .....	1
12	503104100	MESA DE INGLETES .....	1	45	089100300723	AJUSTE GUÍA LÁSER .....	1
13	503121000	LLAVE HEXAGONAL (5mm).....	1	46	089100300730	PERNO DE LA GUÍA LÁSER .....	1
14	503118000	PORTALLAVE (HEX.) .....	1	47	089100300727	ETIQUETA DE ADVERTENCIA DE RAYO LÁSER .....	1
15	A36071018250	RONDANA ELÁSTICA (M10).....	2	48	588072000	ETIQUETA DE ADVERTENCIA DE LA MANO.....	2
16	A07007100350	TORNILLO (M10 X 35L CAB. HUE.).....	2	49	089036003901	ETIQUETA DE DATOS.....	1
17	080036001565	PIVOTE DE ÁNGULO DE BISEL .....	1	50	503125000	ETIQUETA DE ADVERTENCIA SOBRE EL INSERTO .....	1
18	A63020000040	JUNTA TÓRICA.....	1	51	503124000	PUNTA DE EMPUJE .....	1
19	503210000	TORNILLO FIJO .....	1	52	A35070511150	RONDANA PLANA.....	1
20	A49010020056	REMACHE (2.5 X 5L).....	5	53	S50300400	CONJUNTO DE LA MESA DE INGLETES ....	1
21	503207000	ESCALA DE ÁNGULO DE BISELADO .....	1	54	A35070816150	RONDANA PLANA.....	2
22	503202000	SOPORTE DEL PIVOTE DE BISELADO.....	1	55	A18007040150	TORNILLO FIJO (M4 X 15L) .....	1
23	503106000	FIJADOR DE LA MESA .....	1	56	089100300719	AJUSTE LÁSER JUEGO (INCL PZAS NÚMS. 45, 46, 47, 57, 58, 59) .	1
24	A19007040090	TORNILLO (M4 X 9L) .....	2	57	089100300726	LLAVE HEXAGONAL (1/16 pulg.) .....	1
25	503107000	PLACA DE FIJACIÓN.....	1	58	089100300728	IHOJA DE INSTRUCCION (NO SE ILUSTRA) .....	1
26	A10007050080	TORNILLO (M5 X 8L) .....	2	59	089100300729	TARJETA (NO SE ILUSTRA).....	1
27	503109000	PLACA DE RESORTE .....	1				
28	503108000	MANGA .....	1				
29	503105000	PERILLA DE FIJACIÓN DE LA MESA.....	1				
30	503110000	BRAZO DE CONTROL.....	1				
31	A36070612150	RONDANA ELÁSTICA (M6).....	2				
32	A08007060250	TORNILLO (M6 X 25L) .....	2				
33	503A07010	CONJUNTO DE LA PRENSA PARA LA PIEZA DE TRABAJO .....	1				

# RIDGID<sup>®</sup> MS1065LZA

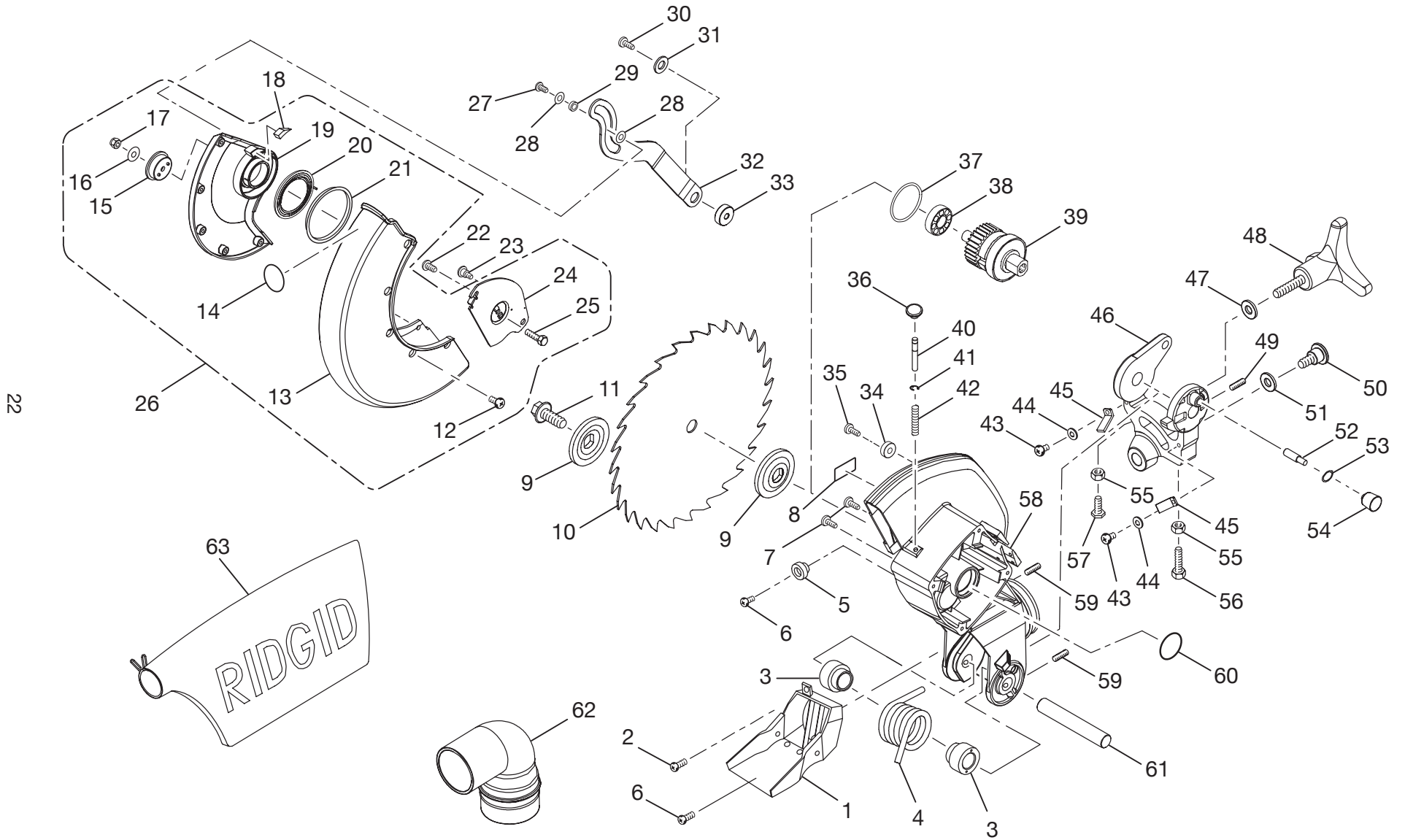


FIGURA B



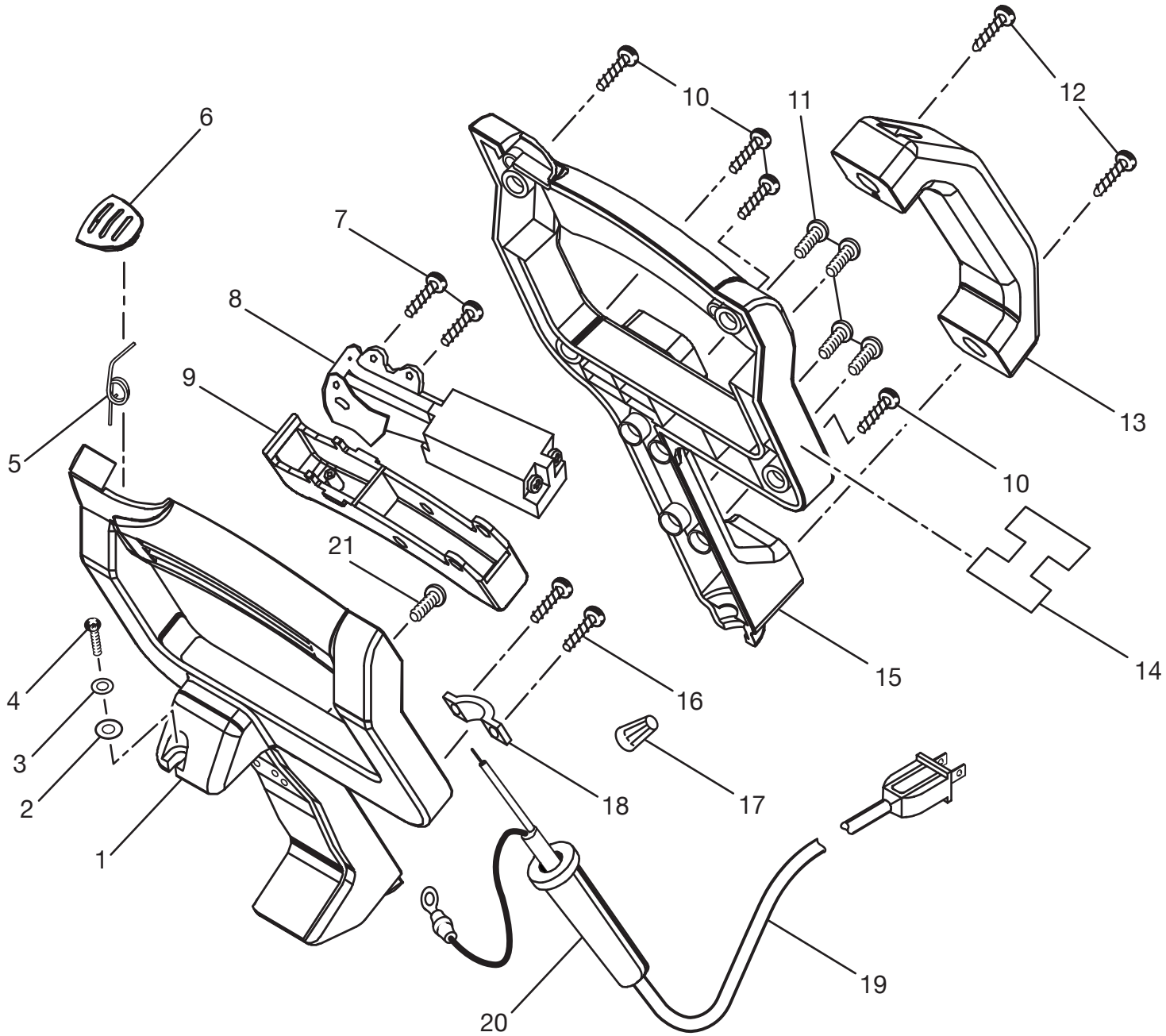
MS1065LZA

LISTA DE PIEZAS PARA LA FIGURA B

23

Núm. ref.	Núm. pieza	Descripción	Cant.	Núm. ref.	Núm. pieza	Descripción	Cant.
1	503320100	VERTEDERO DE ASERRÍN .....	1	31	A35070619150	RONDANA PLANA (M6) .....	1
2	A16007050050	TORNILLO (M5 X 5L) .....	1	32	503408000	CONJUNTO DE LA ARTICULACIÓN.....	1
3	538327000	SEPARADOR .....	2	33	503411000	RONDANA DE LA ARTICULACIÓN.....	1
4	503319000	RESORTE DE TORSIÓN.....	1	34	503304000	RODILLO .....	1
5	503306000	MANGA DE GOMA .....	1	35	503305000	TORNILLO .....	1
6	A19007050120	TORNILLO (M5 X 10L) .....	2	36	503303000	PERILLA DEL HUSILLO (TAPA).....	1
7	588031004	TORNILLO FIJO.....	2	37	A63020000428	JUNTA TÓRICA .....	1
8	503329000	ETIQUETA DE ADVERTENCIA BRAZO SUPERIOR .....	1	38	A50060000027	COJINETE DE BOLAS.....	1
9	588035105	BRIDA .....	2	39	503A04010	CONJUNTO DEL ÁRBOL (INC. 38).....	1
10	503501000	HOJA .....	1	40	503302000	PASADOR DEL SEGURO DEL HUSILLO ....	1
11	503412000	TORNILLO .....	1	41	A47000040006	ANILLO "E" .....	1
12	503402000	TORNILLO "T" .....	5	42	588027005	RESORTE DE COMPRESIÓN .....	1
13	503401000	PROTECCIÓN INFERIOR .....	1	43	A10007040100	TORNILLO (M4 X 10L).....	2
14	588072000	ETIQUETA DE ADVERTENCIA DE LA MANO .....	1	44	A35070406010	RONDANA PLANA (M4).....	2
15	503407000	SEPARADOR .....	1	45	503204000	INDICADOR.....	2
16	A35070619150	RONDANA PLANA (M6).....	1	46	503201000	PLACA DE SOPORTE.....	1
17	A31707006000	TUERCA DE FIJACIÓN (M6).....	1	47	A35071025150	RONDANA PLANA (M10).....	1
18	503414000	ESPONJA.....	1	48	503203000	PERILLA DE FIJACIÓN DE LA MESA.....	1
19	503403100	PLACA DE PROTECCIÓN .....	1	49	A18003040080	TORNILLO FIJO (M4 X 8L) .....	1
20	503406000	RESORTE DE TENSIÓN .....	1	50	503208000	EJE DE PIVOTE .....	1
21	503413000	ALMOHADILLA INTERIOR.....	1	51	589011308	RONDANA .....	1
22	A19007050090	TORNILLO (M5 X 9L) .....	1	52	503205000	PASADOR DE TOPE.....	1
23	503405000	TORNILLO .....	1	53	A63000000062	JUNTA TÓRICA .....	1
24	503404100	CUBIERTA DEL PERNO DE LA HOJA.....	1	54	503206000	PERILLA DEL HUSILLO (TAPA).....	1
25	503415000	PERNO.....	1	55	A30007006360	TUERCA (M6) .....	2
26	S50300300	CONJUNTO PROTECCIÓN INFERIOR DE LA HOJA .....	1	56	A01007060160	PERNO (M6 X M16 CAB. HEX.).....	1
27	A10007050156	TORNILLO (M5 X 15L) .....	1	57	503415000	PERNO .....	1
28	503410000	RONDANA .....	2	58	503301100	BRAZO.....	1
29	A50010500020	COJINETE DE BOLAS .....	1	59	A18007060150	TORNILLO FIJO (M6 X 15L) .....	2
30	A10007060200	TORNILLO (M6 X 20L) .....	1	60	A63020000320	JUNTA TÓRICA .....	1
				61	503321000	EJE .....	1
				62	503503000	GUÍA ASERRÍN.....	1
				63	503512000	SACO CAPTAPOLVO.....	1

# RIDGID<sup>®</sup> MS1065LZA



24

FIGURA C

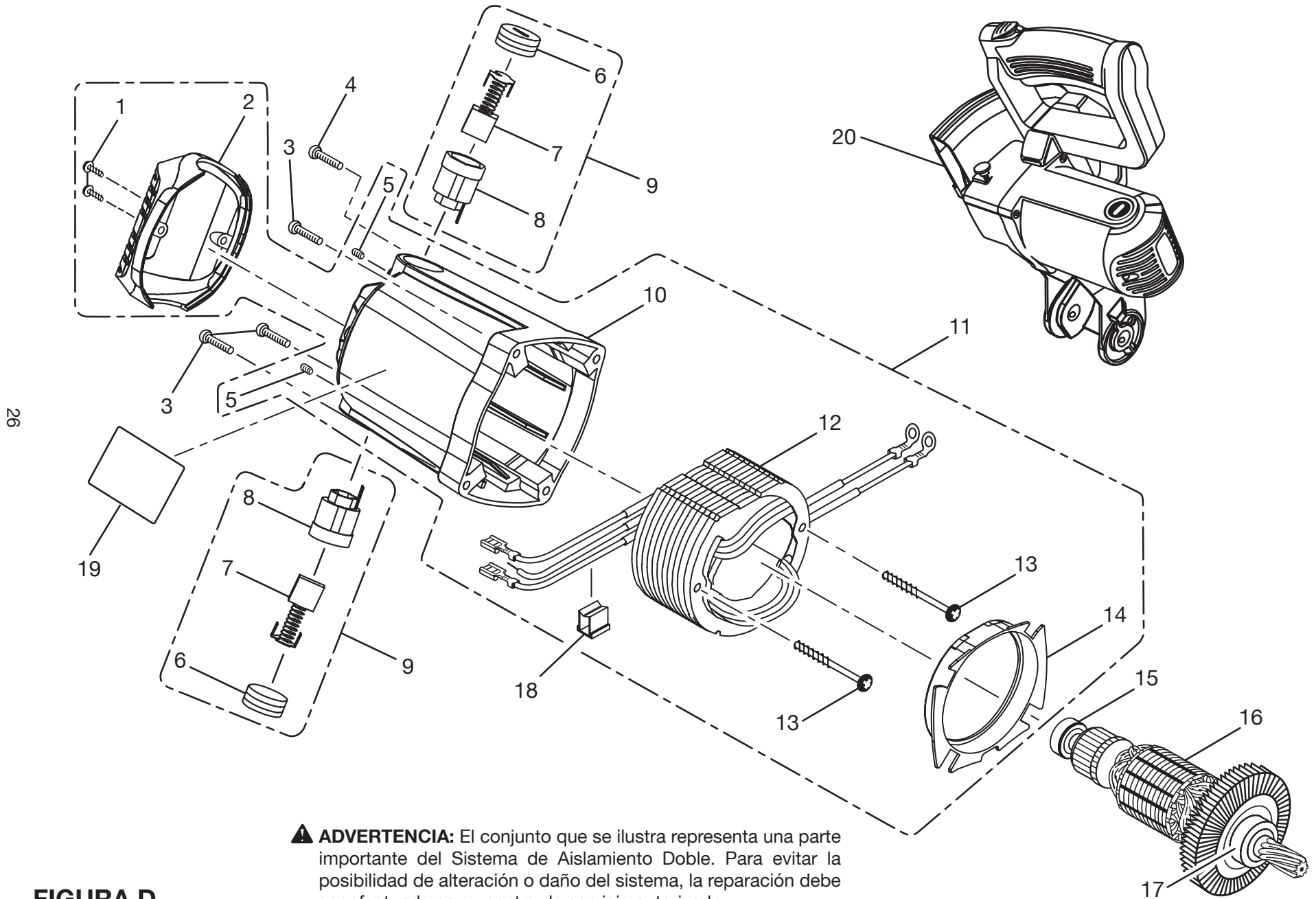




MS1065LZA

LISTA DE PIEZAS PARA LA FIGURA C

Núm. ref.	Núm. pieza	Descripción	Cant.	Núm. ref.	Núm. pieza	Descripción	Cant.
1	503311000	MANIJA INFERIOR .....	1	12	A29007050200	TORNILLO (M5 X 20L) .....	2
2	A35070410010	RONDANA PLANA (M4).....	1	13	503315000	MANGO DE TRASLADO.....	1
3	A36070407010	RONDANA ELÁSTICA (M4).....	1	14	503326000	ETIQUETA DE ADVERTENCIA .....	1
4	A10007040120	TORNILLO (M4 X 12L) .....	1	15	503310000	MANIJA SUPERIOR.....	1
5	503316000	RESORTE.....	1	16	A90007040120	TORNILLO (M4 X 12L) .....	2
6	503314000	BOTÓN DE SEGURIDAD .....	1	17	503324000	TUERCA ELÉCTRICA .....	1
7	A29007040080	TORNILLO (M4 X 8L) .....	2	18	578313006	ABRAZADERA DEL CORDÓN.....	1
8	503317000	INTERRUPTOR .....	1	19	503318000	CORDÓN ELÉCTRICO .....	1
9	503313000	GATILLO .....	1	20	588004100	PROTECTOR DEL CORDÓN.....	1
10	A29007040140	TORNILLO (M4 X 14L) .....	4	21	A10007050083	TORNILLO (M5 X 8L) .....	1
11	A19007050180	TORNILLO (M5 X 18L) .....	4				



**⚠ ADVERTENCIA:** El conjunto que se ilustra representa una parte importante del Sistema de Aislamiento Doble. Para evitar la posibilidad de alteración o daño del sistema, la reparación debe ser efectuada en su centro de servicio autorizado.

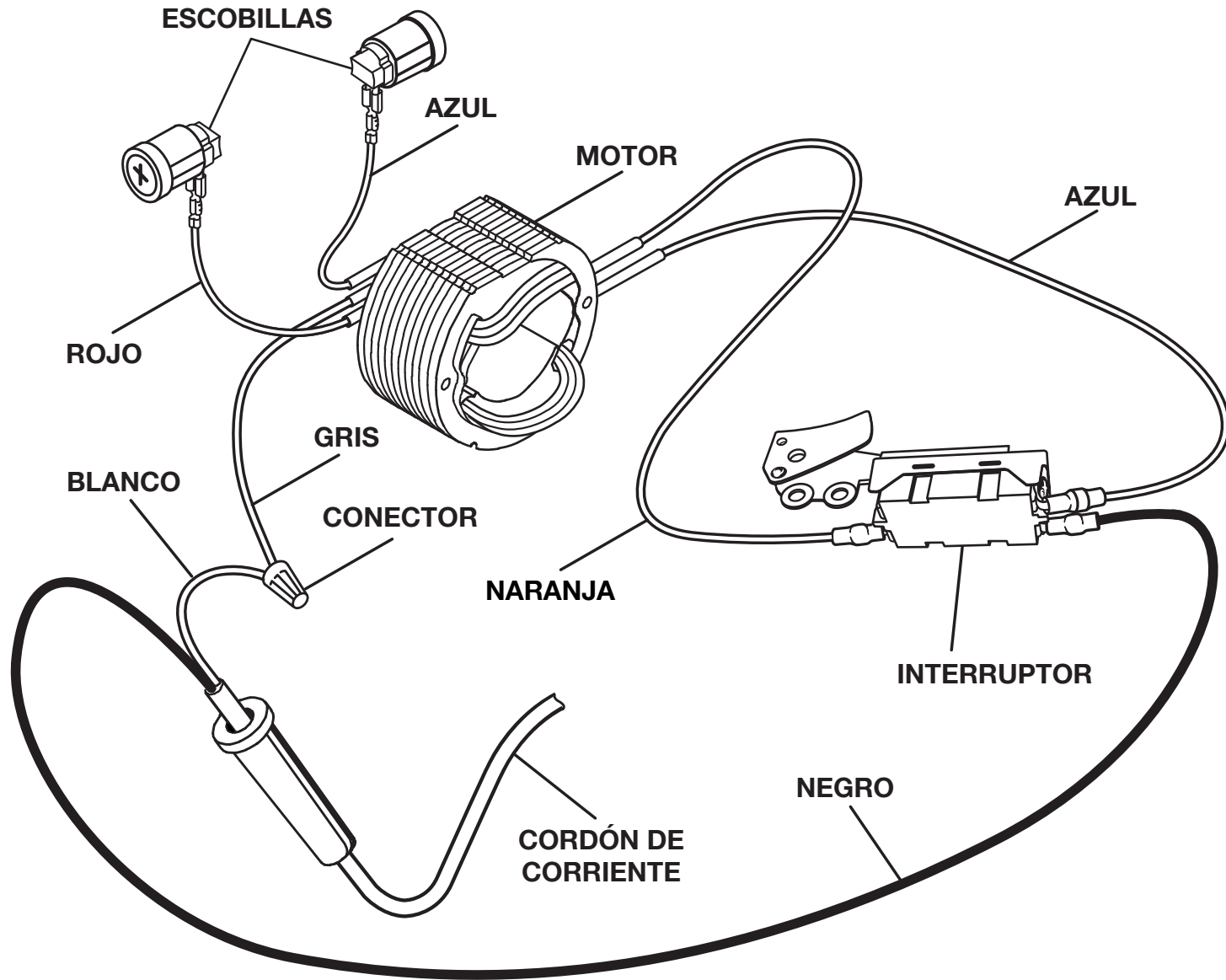
**FIGURA D**



MS1065LZA

LISTA DE PIEZAS PARA LA FIGURA D

Núm. ref.	Núm. pieza	Descripción	Cant.	Núm. ref.	Núm. pieza	Descripción	Cant.
1	A29007040080	TORNILLO (M4 X 8L) .....	2	12	9053D02000	CONJUNTO DEL CAMPO.....	1
2	503309000	TAPA DEL EXTREMO .....	1	13	A90107050600	TORNILLO (M5 X 60L).....	2
3	A19007050250	TORNILLO (M5 X 25L).....	3	14	503312000	CUBIERTA DEL VENTILADOR .....	1
4	A19007050200	TORNILLO (M5 X 20L).....	1	15	A50060020056	COJINETE DE BOLAS.....	1
5	A18007050080	TORNILLO FIJO (M5 X 8L).....	2	16	9053C01000	CONJUNTO DEL INDUCIDO (INC. # 15 Y 17)	1
6	588005105	TAPA DE LA ESCOBILLA .....	2	17	A50006080049	COJINETE DE BOLAS.....	1
7	588006100	ESCOBILLA .....	2	18	503323000	MANGA DE PLOMO.....	1
8	588007300	PORTAESCOBILLA .....	2	19	503328000	ETIQUETA DE ADVERTENCIA .....	1
9	089036003700	CONJUNTO DE ESCOBILLA .....	2	20	S50300200	CONJ. DEL MOTOR.....	1
10	503308000	ALOJAMIENTO DEL MOTOR.....	1		987000015	MANUAL DEL OPERADOR	
11	S50300500	CONJ. ALAJAMIENTO MOTOR.....	1		08-08-08		
					(REV:04)		



**DIAGRAMA DE CABLEADO**