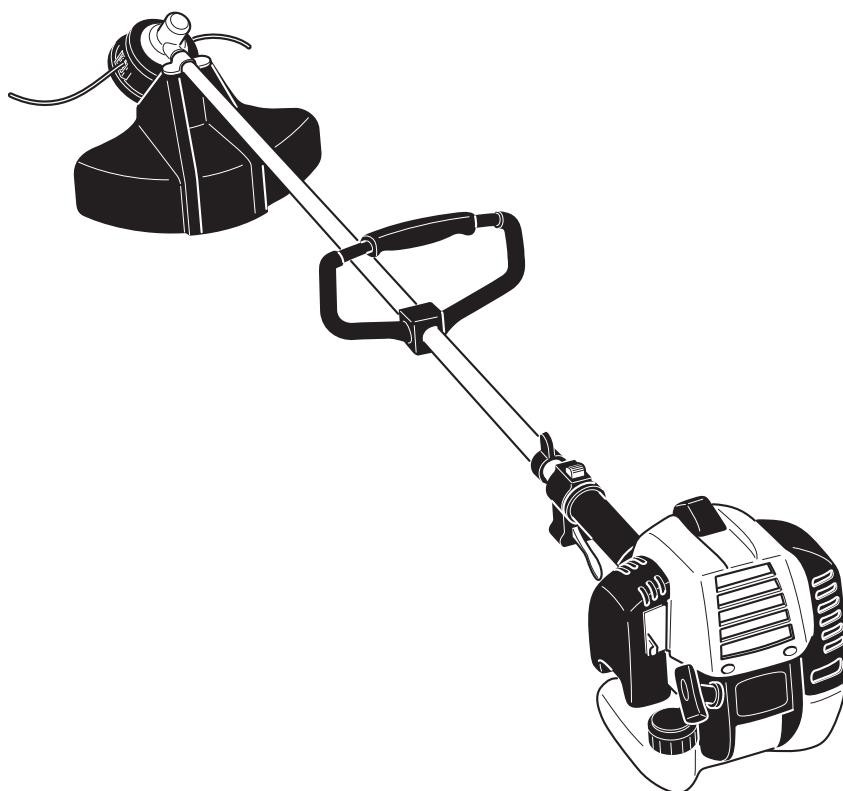


Spare Parts List

2006-03



MS-2810

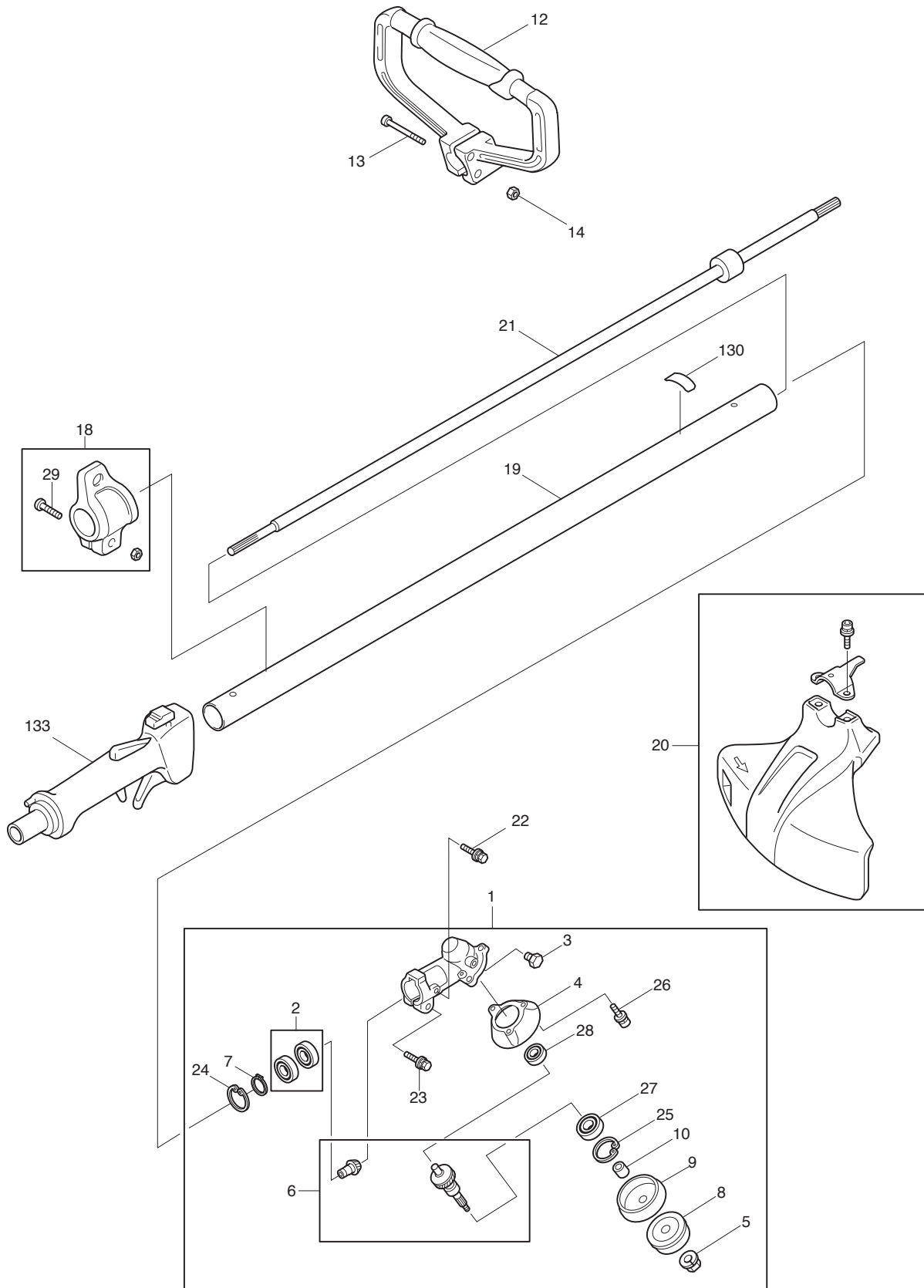
IMPORTANT! - To assure product SAFETY and RELIABILITY, repairs, maintenance or adjustments should be performed by DOLMAR Service Centers, or other qualified service organisations. Always use DOLMAR replacement parts.

DOLMAR



A member of the *Makita* Group

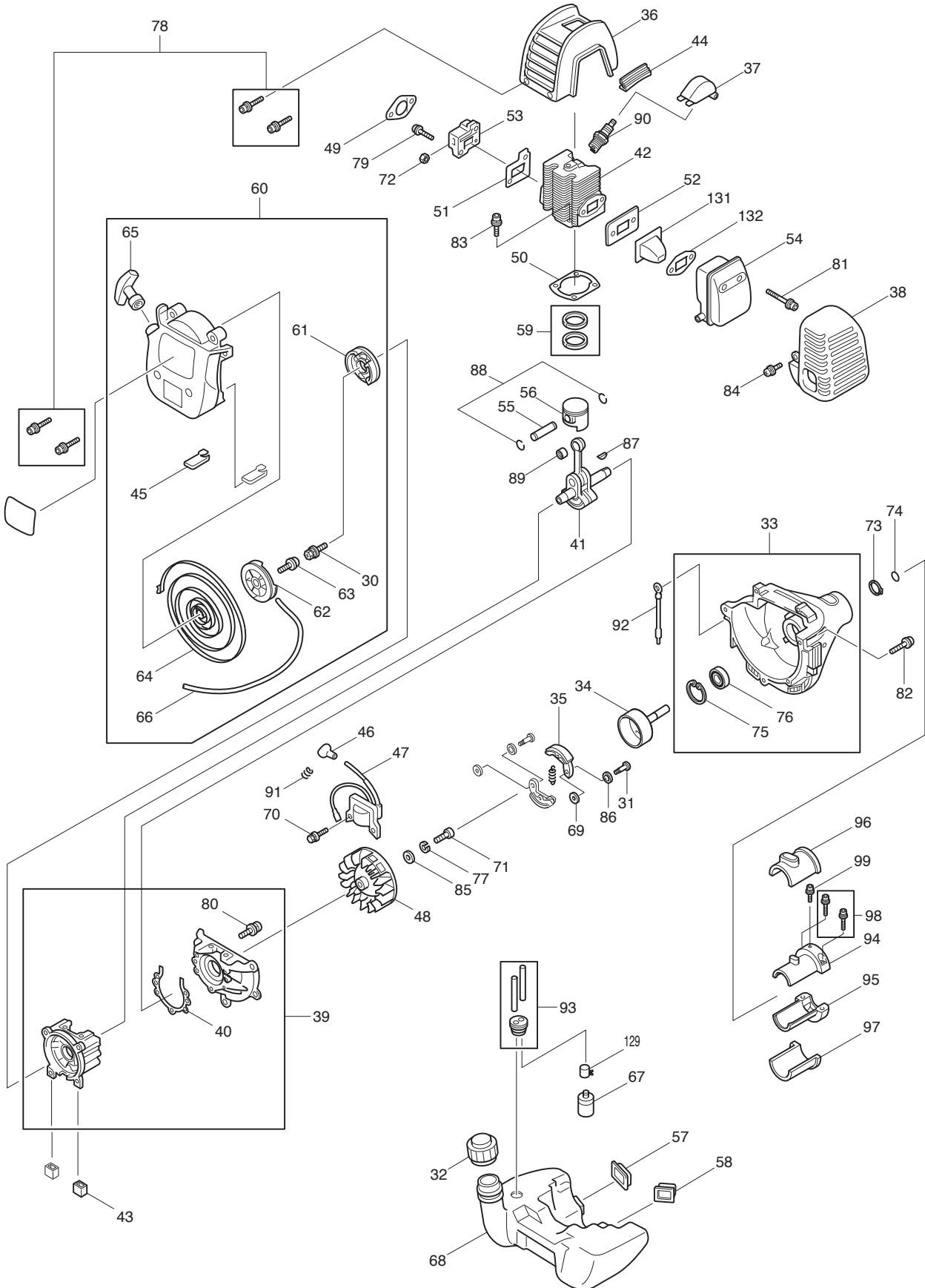
995 700 263 (GB)



MS-2810



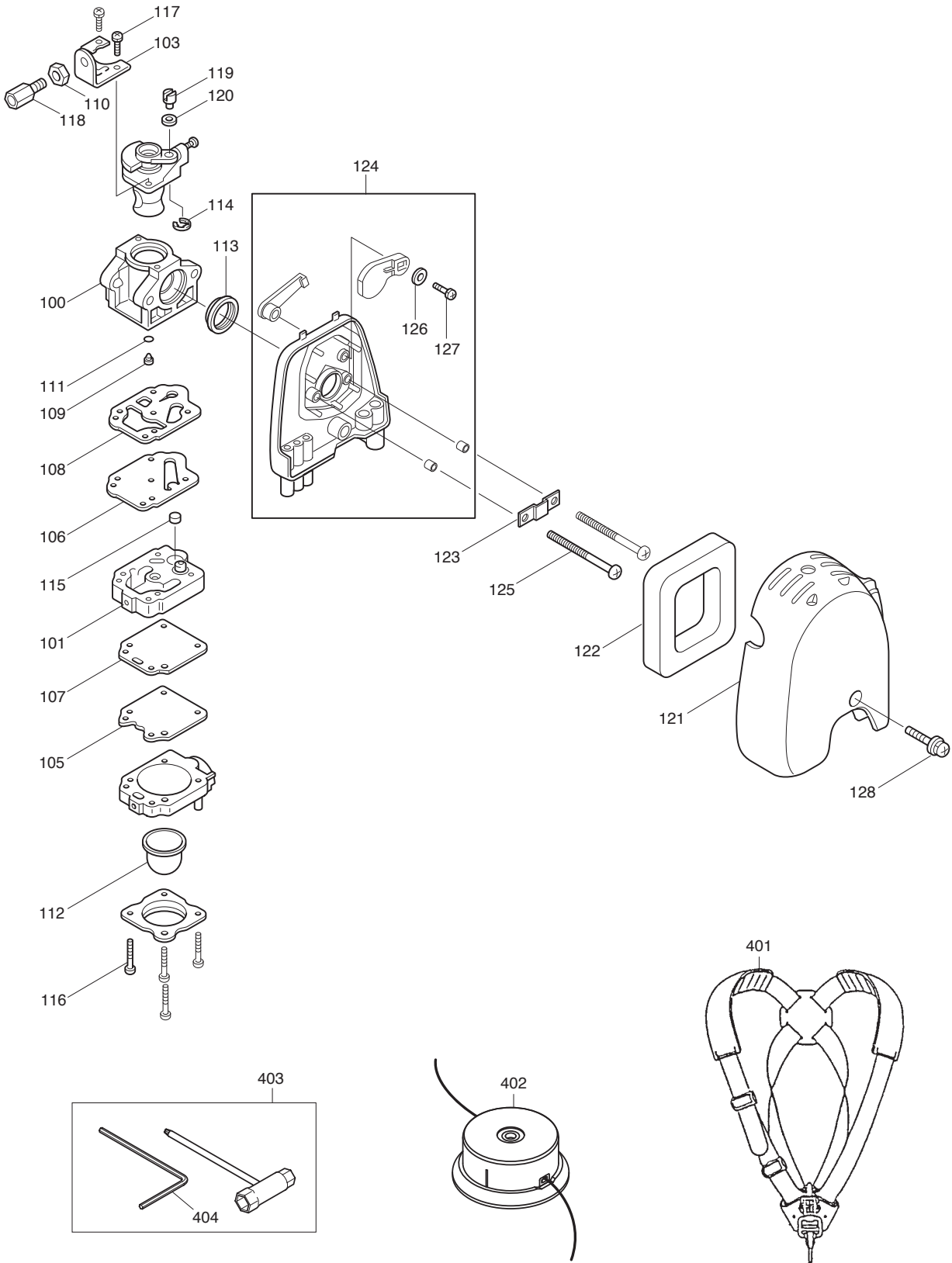
Page	Pos.	MS-2810	Part No.	Notes	Description	Specifications
1	1	1	318 300 100		GEAR CASE UNIT	INC. 2-10, 23 - 28
1	2	2	374 150 210		BALL BEARING	#609ZZ
1	3	1	381 350 060		OIL BOLT	
1	4	10	383 850 020		GUARD	
1	5	1	367 850 500		NUT	
1	6	1	381 300 300		CUTTER SHAFT SET	
1	7	1	381 350 260		OUTER SNAP RING	
1	8	1	383 850 000		CLAMP WASHER	
1	9	1	383 850 360		RECEIVE WASHER	
1	10	1	381 350 130		SPACER	
1	12	1	374 450 000		HANDLE (LOOP TYPE)	
1	13	4	367 905 986		S. H. BOLT	M5X33
1	14	4	381 270 500		NUT	M5
1	18	1	381 402 300		HANGER ASS'Y	INC. 29
1	19	1	381 100 100		SHAFT PIPE CPL.	
1	20	1	381 800 800		PROTECTOR ASS'Y	
1	21	1	381 150 080		SHAFT	
1	22	1	381 130 612		BOLT ASS'Y	M6X12
1	23	1	381 130 630		BOLT ASS'Y	M6X30
1	24	1	381 142 400		INNER SNAP RING	
1	25	1	383 143 000		INNER SNAP RING	
1	26	3	381 905 978		S. H. BOLT	M5X12
1	27	1	381 010 997		BALL BEARING	#6200DDU
1	28	1	381 007 999		BALL BEARING	627ZZ
1	29	1	367 360 520		SCREW & WASHER ASS'Y	
1	130	1	367 951 470		CAUTION LABEL	
1	133	1	380 500 100		CONTROL LEVER ASS'Y	



MS-2810



Page	Pos.	MS-2810	Part No.	Notes	Description	Specifications
2	30	1	383 200 605		BOLT ASS'Y	
2	31	2	381 250 040		CLUTCH BOLT	
2	32	1	377 601 400		FUEL TANK CAP	
2	33	1	382 100 400		CLUTCH CASE ASS'Y	INC. 75 & 76
2	34	1	382 200 200		CLUTCH DRUM CPL.	
2	35	1	382 200 300		CLUTCH	
2	36	1	381 550 400		CYLINDER COVER	
2	37	1	381 750 070		PLUG COVER	
2	38	1	381 350 330		MUFFLER COVER	
2	39	1	381 100 700		CRANKCASE CPL.	INC. 40 & 80)
2	40	1	381 150 120		CRANKCASE GASKET	
2	41	1	381 200 700		CRANKSHAFT CPL.	
2	42	1	383 150 090		CYLINDER	
2	43	2	381 650 025		DAMPER	
2	44	1	381 550 410		DAMPER	
2	45	2	381 650 310		DAMPER	
2	46	1	381 701 003		PLUG CAP	
2	47	1	381 701 002		COIL	
2	48	1	381 701 001		FLYWHEEL	
2	49	1	381 350 280		SPACER GASKET	
2	50	1	383 150 030		CYLINDER GASKET	
2	51	1	381 350 230		INSULATOR GASKET	
2	52	1	381 350 220		MUFFLER GASKET	
2	53	1	383 350 050		INSULATOR	
2	54	1	382 300 900		EXHAUST MUFFLER	
2	55	1	381 250 010		PISTON PIN	
2	56	1	382 250 080		PISTON	
2	57	1	381 650 020		PLATE	
2	58	1	381 650 030		PLATE	
2	59	2	382 250 070		PISTON RING	
2	60	1	381 501 200		REWIND STARTER	INC. 30,45,61-66
2	61	1	382 500 700		PULLEY STARTER	
2	62	1	381 500 701		REEL	
2	63	1	381 500 702		SET SCREW	
2	64	1	382 500 302		SPIRAL SPRING	
2	65	1	381 500 211		STARTER KNOB	
2	66	1	374 502 402		STARTER ROPE	
2	67	1	382 650 390		FILTER	
2	68	1	381 650 200		FUEL TANK	
2	69	2	381 250 000		WASHER	
2	70	2	374 170 520		BOLT ASS'Y	5X20
2	71	1	383 660 616		BOLT	M6X16
2	72	2	381 170 500		NUT	M5
2	73	1	382 151 200		OUTER SNAP RING	
2	74	1	381 261 006		O-RING	
2	75	1	382 143 200		INNER SNAP RING	
2	76	1	382 012 995		BALL BEARING	#6201DD/#6201 2 RU
2	77	1	383 200 600		SPRING WASHER	
2	78	4	381 905 957		S. H. BOLT	M5X30
2	79	2	377 905 963		S. H. BOLT	M5X20
2	80	5	383 005 979		SCREW	M5X25
2	81	2	377 905 967		S. H. BOLT	M5X55
2	82	3	382 905 973		S. H. BOLT	M5X20
2	83	4	381 905 995		S. H. BOLT	M5X18
2	84	1	381 005 948		SCREW ASS'Y	M5X14
2	85	1	383 006 992		WASHER	M6
2	86	2	383 008 991		WASHER	M8
2	87	1	381 303 999		WOODRUFF KEY	
2	88	2	381 508 998		CLIP	
2	89	1	381 008 999		N. ROLLER BEARING	
2	90	1	374 014 981		SPARK PLUG	
2	91	1	377 400 993		PLUG CAP SPRING	
2	92	1	381 550 020		WIRE	
2	93	1	381 117 997		TUBE	
2	94	1	367 150 030		PIPE BRACKET (1)	
2	95	1	367 150 040		PIPE BRACKET (2)	
2	96	1	374 150 010		PIPE DAMPER (1)	
2	97	1	318 150 020		PIPE DAMPER (2)	
2	98	2	381 905 995		S. H. BOLT	M5X18
2	99	1	367 905 990		S. H. BOLT	M5X12
2	129	1	381 105 999		HOSE CLAMP	
2	131	1	388 350 140		SPARK ARRESTER	
2	132	1	383 350 060		MUFFLER GASKET	



MS-2810



Page	Pos.	MS-2810	Part No.	Notes	Description	Specifications
3	100	1	381 602 100		CARBURETOR	
3	101	1	374 604 613		PUMP BODY ASS'Y	
3	103	1	381 605 202		BRACKET CABLE	
3	105	1	381 600 525		METERING DIAPHRAGM ASS'Y	
3	106	1	381 600 104		PUMP DIAPHRAGM	
3	107	1	381 604 604		METERING DIAPHRAGM GASKET	
3	108	1	381 600 103		PUMP GASKET	
3	109	1	381 600 201		JET	
3	110	1	381 600 545		CABLE ADJUST NUT	
3	111	1	381 600 101		O-RING	
3	112	1	381 600 115		PRIMER PUMP	
3	113	1	381 601 802		RING PACKING	
3	114	1	381 600 512		RING	
3	115	1	381 600 401		INLET SCREEN	
3	116	4	381 604 601		PUMP COVER SCREW	
3	117	2	381 600 124		THROTTLE COLLAR SCREW	
3	118	1	381 602 002		CABLE ADJUST SCREW	
3	119	1	381 601 804		SWIVEL	
3	120	1	381 605 203		WASHER	
3	121	1	381 350 320		AIR CASE CLEANER	
3	122	1	388 350 470		AIR CLEANER ELEMENT	
3	123	1	381 350 240		AIR CLEANER PLATE ASS'Y	
3	124	1	381 301 500		AIR CLEANER PLATE ASS'Y	INC. 126 & 127
3	125	2	382 005 973		SCREW	M5X50
3	126	1	388 110 400		WASHER	
3	127	1	388 004 998		TAPPING SCREW	M4X8
3	128	1	381 005 948		SCREW ASS'Y	M5X14
3	401	1	374 701 500		BAND ASS'Y	
3	402	1	374 601 430		BUMP & FEED	
3	403	1	381 900 600		TOOL KIT	INC. 404
3	404	1	374 832 020		HEX.WRENCH	4

- 1 Pipe, handle, protector, gear case, control lever
- 2 Engine, starter, clutch, fuel tank, exhaust muffler
- 3 Carburetor, air cleaner, accessories

	Key to symbols
⇒ 1999999 2000000 ⇒ 2003.04 ⇒ TI 2003/07 Acc. = { m Corr.	Production to serial number New part from serial number New part from Year / Month See Technical Information Year / No. Accessories (not included in the delivery inventory) No standard execution, may be used Contains item number Sold by the meter Error correction
	Specifications subject to change without notice