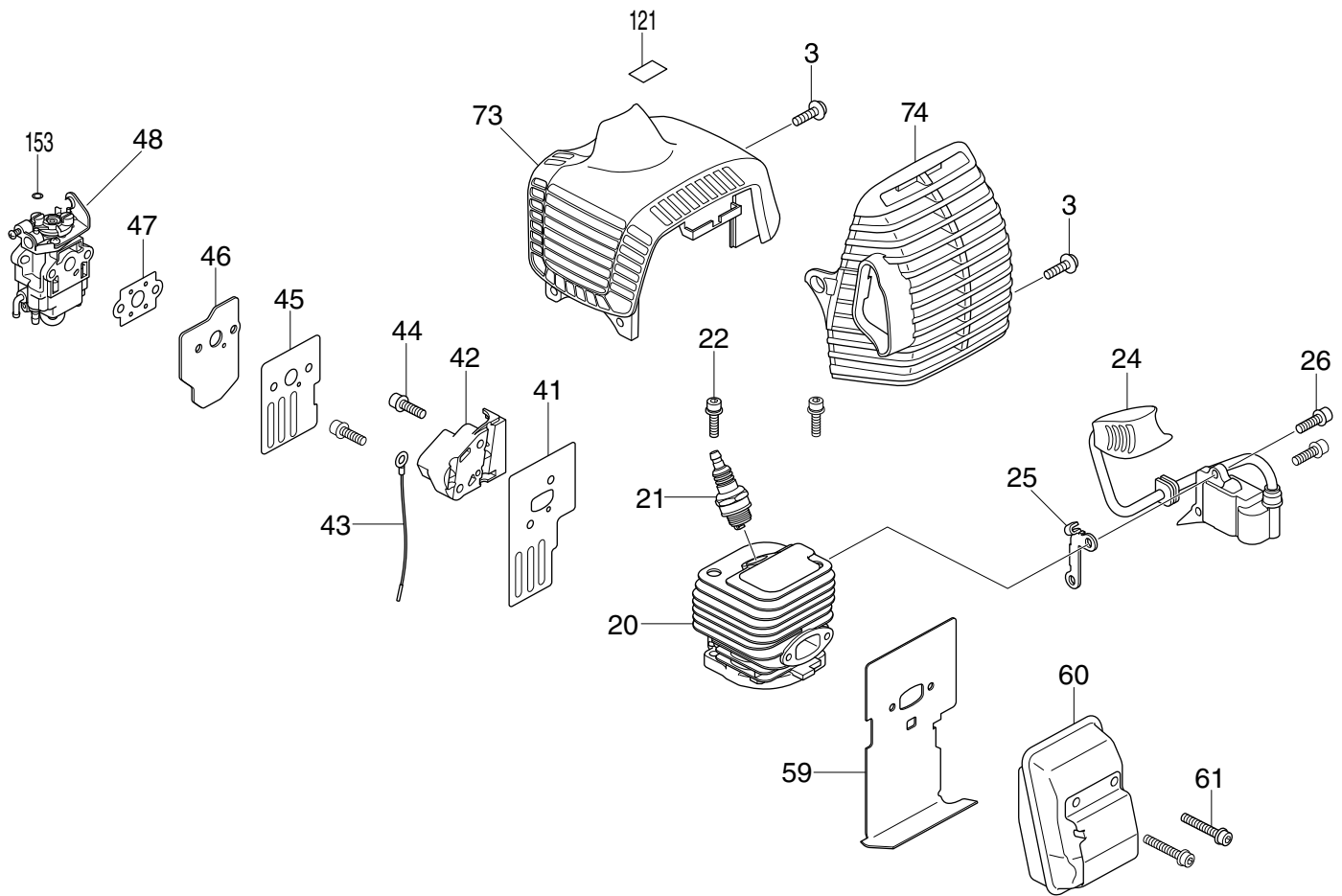


DOLMAR

PARTS BREAKDOWN

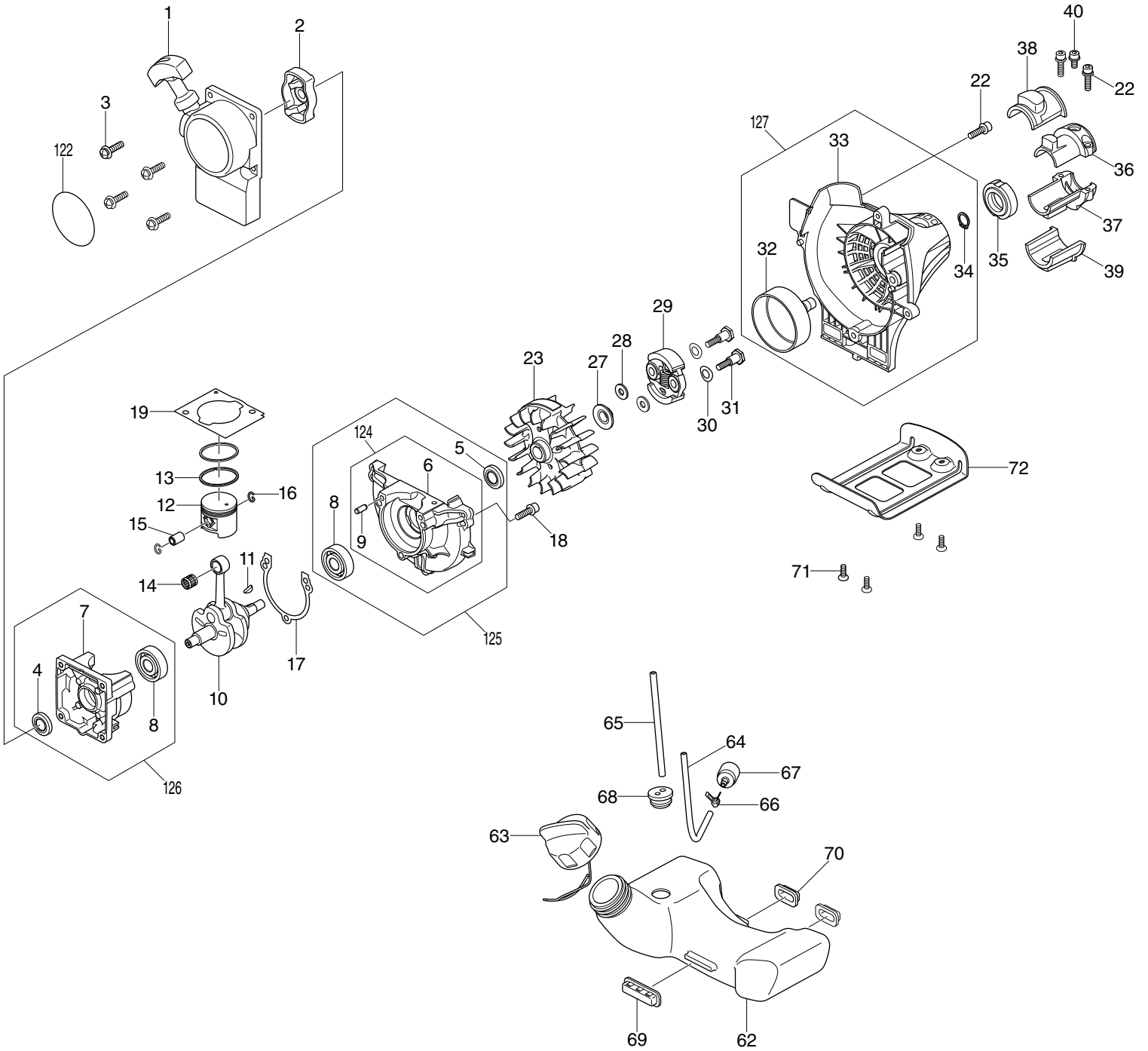
MS-27C



Products with multiple versions are listed in subsiding order with the newest version on top not indented.

Corresponding technical bulletins are attached.

Section	Fig. No.	Part No.	Description	Désignation	MS27C	Tech Bulletin	Notes
1	3	DA00000096	SCREW & WASHER ASS'Y	VIS AVEC RONDELLE CPL.	8		
1	20	DA00000392	CYLINDER	CYLINDRE	1		
1	21	DA00000085	SPARK PLUG	BOUGIE	1		
1	22	DA00000080	SOCKET HEAD BOLT M5X20	VIS	7		M5X20
1	24	DA00000394	IGNITION COIL ASSY	BOBINE D' ALLUMAGE	1		
1	25	DA00000395	INSULATOR,IGNITION COIL	ISOLATEUR	1		
1	26	DA00000396	SOCKET HAED BOLT M4	VIS	2		M4
1	41	DA00000411	GASKET,INSULATOR	JOINT	1		
1	42	DA00000412	INSULATOR	BRIDE INTERMEDAIRE	1		
1	43	DA00000413	WIRE COMPL	CÂBLE CPL.	1		
1	44	DA00000137	SOCKET HEAD BOLT M5X25	VIS	7		M5X25
1	45	DA00000414	GASKET,CARBURETOR	JOINT	1		
1	46	DA00000415	INSULATOR,CARBURETOR	ISOLATEUR	1		
1	47	DA00000416	GASKET,CARBURETOR	JOINT	1		
1	48	DA00000417	CARBURETOR	CARBURATEUR	1		
1	59	DA00000425	GASKET,MUFFLER	JOINT DE POT D'ÉCHAPPEMENT	1		
1	60	DA00000426	MUFFLER,EXHAUST	POT D' ÉCHAPPEMENT	1		
1	61	DA00000427	SOCKET HEAD BOLT M5X50(W)	VIS	2		M5X50(W)
1	73	DA00000434	CYLINDER COVER	CAPOT DE CYLINDRE	1		
1	74	DA00000435	MUFFLER COVER	PROTECTION DE COMBUSTION	1		
1	121	DA00000442	LABEL	PLAQUE	1		
1	153	DA00000459	HOLDER	SUPPORT	1		



Products with multiple versions are listed in subsiding order with the newest version on top not indented.

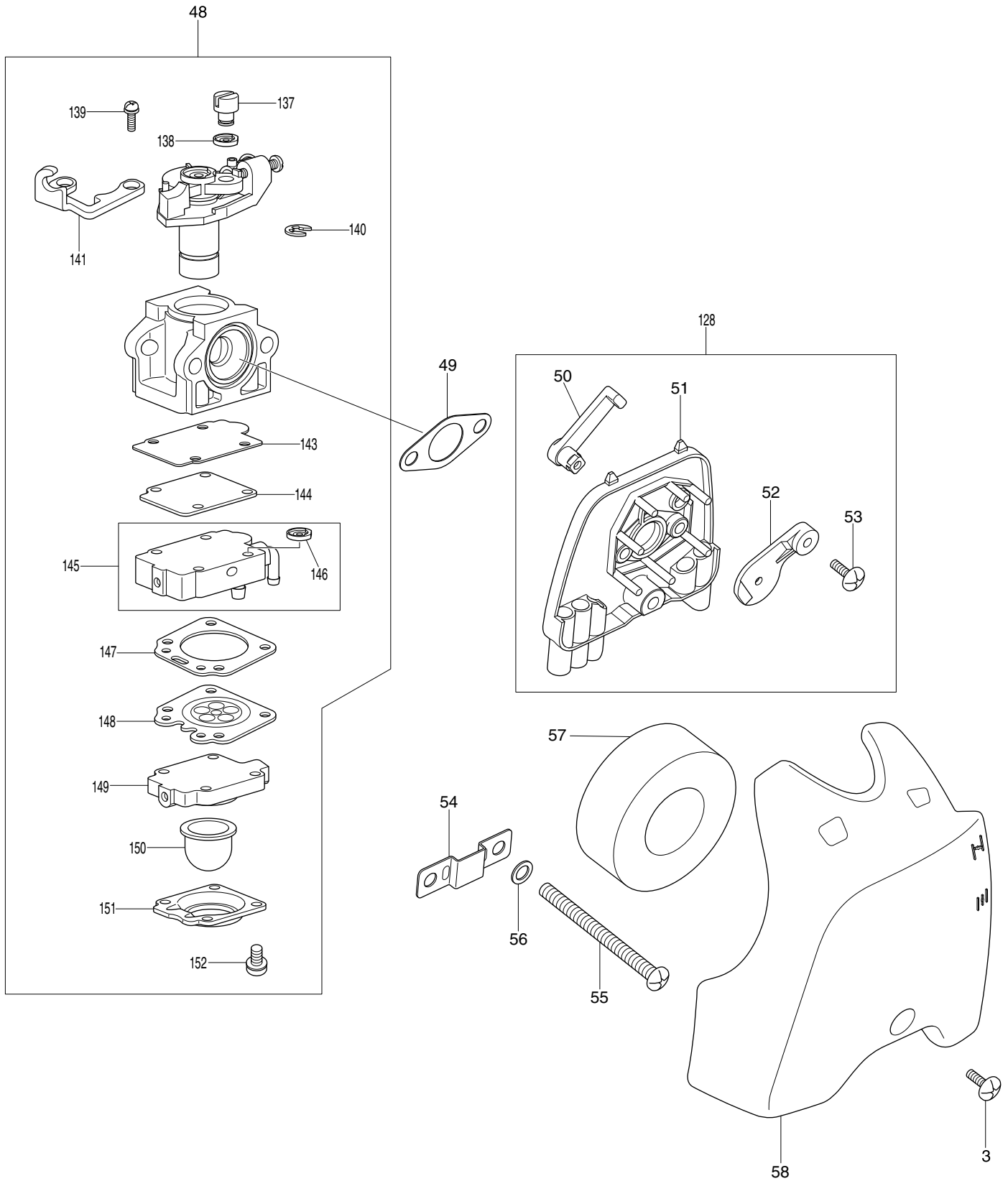
Corresponding technical bulletins are attached.

Section	Fig. No.	Part No.	Description	Désignation	MS27C	Tech Bulletin	Notes
2	1	DA00000379	STARTER,REWIND ASSY	DÉMARREUR COMPLET	1		
2	2	DA00000380	PULLEY	ROUE DÉMARREUR	1		
2	3	DA00000096	SCREW & WASHER ASS'Y	VIS AVEC RONDELLE CPL.	8		
2	4	DA00000064	OIL SEAL	JOINT ÉTANCHE À L'HUILE	1		
2	5	DA00000381	OIL SEAL	JOINT ÉTANCHE À L'HUILE	1		
2	6	DA00000382	CRANKCASE1	CARTER-VILEBREQUIN	1		
2	7	DA00000383	CRANKCASE2	CARTER-VILEBREQUIN	1		
2	8	DA00000384	BALL BEARING	ROULEMENT À BILLES	2		
2	9	DA00000385	KNOCK	GOUPILLE	2		
2	10	DA00000386	CRANKSHAFT COMPL	VILEBREQUIN CPL.	1		
2	11	DA00000077	WOODRUFF KEY	CLAVETTE	1		
2	12	DA00000387	PISTON	PISTON	1		
2	13	DA00000388	RING,PISTON	SEGMENT DE PISTON	2		
2	14	DA00000073	NEEDLE BEARING 8	CAGE A AIGULLES	1		
2	15	DA00000389	PIN,PISTON	AXE DE PISTON	1		
2	16	DA00000071	CLIP	ANNEAU RESSORT	2		
2	17	DA00000390	GASKET,CRANKCASE	JOINT	1		
2	18	DA00000134	HEX. SOCKET HEAD BOLT M5X30	VIS	3		M5X30
2	19	DA00000391	GASKET,CYLINDER	JOINT	1		
2	22	DA00000080	SOCKET HEAD BOLT M5X20	VIS	7		M5X20
2	23	DA00000393	FLYWHEEL COMPL	VOLANT	1		
2	27	DA00000397	NUT,M6	ECROU	1		M6
2	28	DA00000398	WASHER	RONDELLE	2		
2	29	DA00000399	CLUTCH ASS'Y	EMBRAYAGE CPL.	1		
2	30	DA00000400	WASHER	RONDELLE	2		
2	31	DA00000401	BOLT,CLUTCH	VIS	2		
2	32	DA00000402	DRUM,CLUTCH COMPL	TAMBOUR CPL.	1		
2	33	DA00000404	CLUTCH CASE	CARTER D' EMBRAYAGE	1		
2	34	DA00000092	OUTER SNAP RING	CIRCLIP	1		
2	35	DA00000405	BUFFER RUBBER	AMORTISSEUR	1		
2	36	DA00000406	PIPE HOLDER	DISP. DE SERRAGE	1		
2	37	DA00000407	PIPE HOLDER	DISP. DE SERRAGE	1		
2	38	DA00000408	BUFFER RUBBER	AMORTISSEUR	1		
2	39	DA00000409	BUFFER RUBBER	AMORTISSEUR	1		
2	40	DA00000410	SOCKET HEAD BOLT M5X12(SW)	VIS	1		M5X12(SW)
2	62	DA00000509	FUEL TANK	RESERVOIR D'ESSENCE	1		

Products with multiple versions are listed in subsiding order with the newest version on top not indented.

Corresponding technical bulletins are attached.

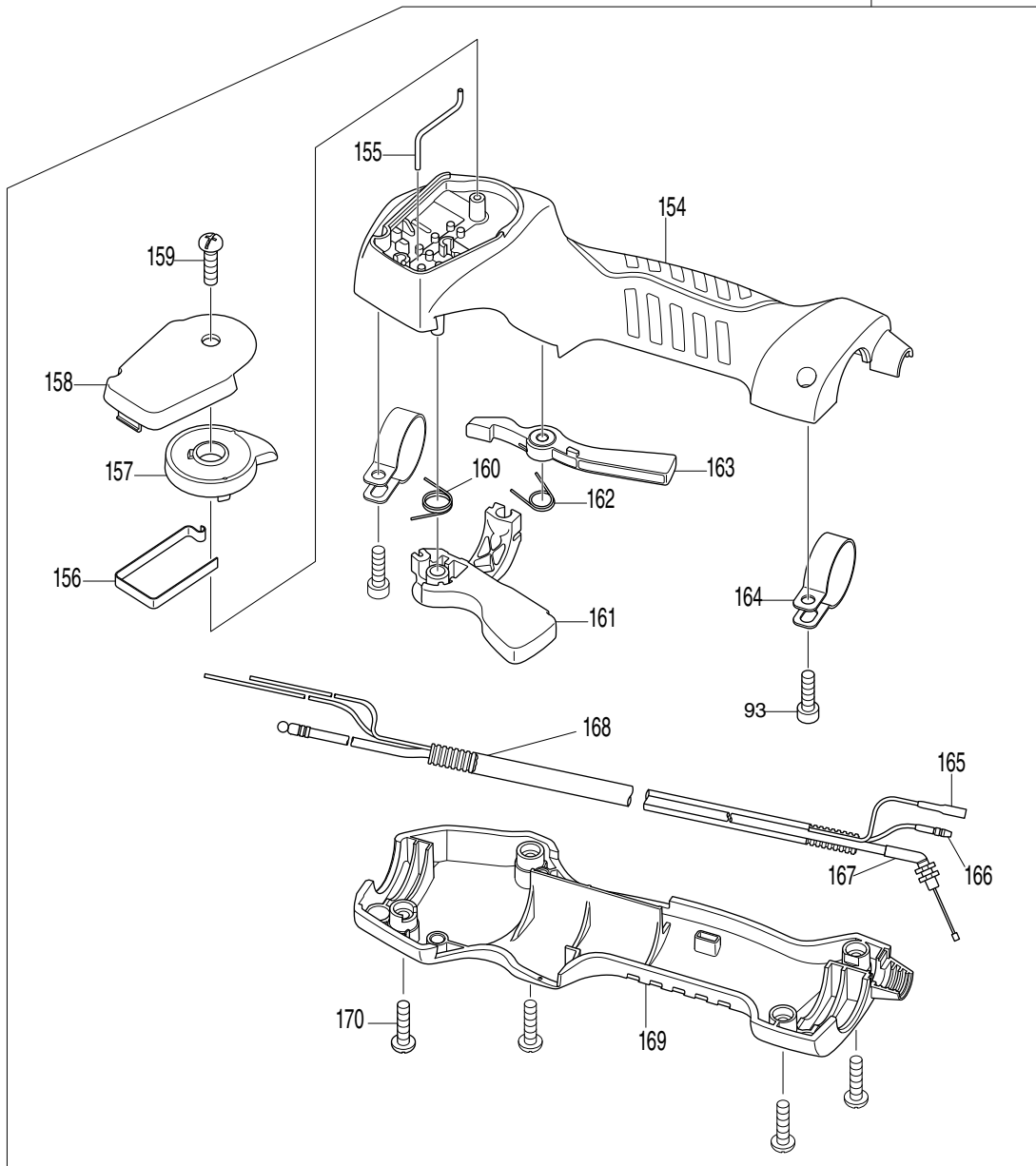
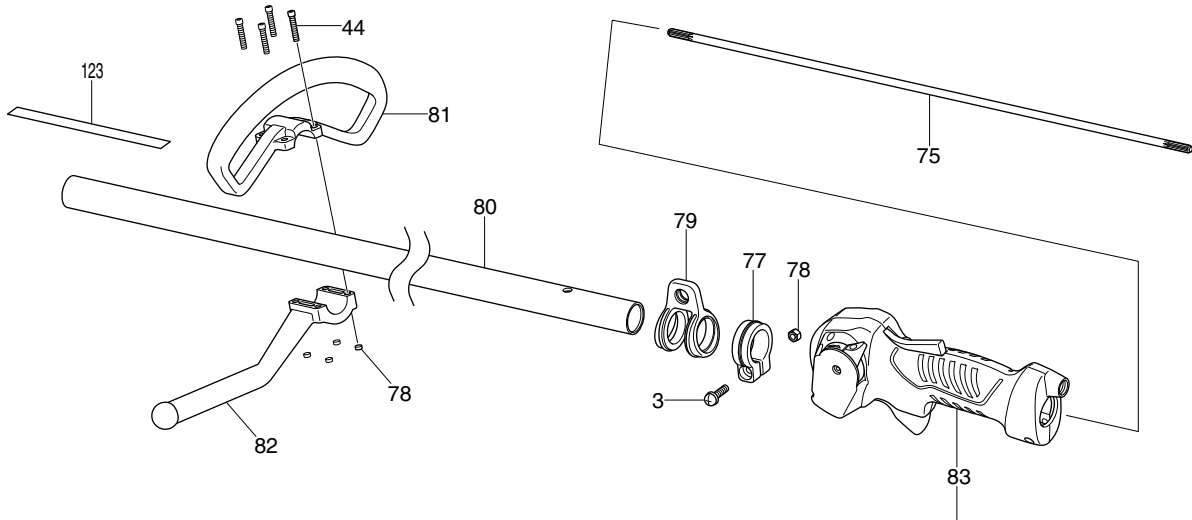
Section	Fig. No.	Part No.	Description	Désignation	MS27C	Tech Bulletin	Notes
2	63	DA00000122	FUEL TANK CAP COMPLETE	BOUCHON RESERVOIR CPL., CARBURANT	1		
2	64	DA00000510	TUBE L	TUBE	1		
2	65	DA00000511	TUBE S	TUBE	1		
2	66	DA00000120	HOSE CLAMP	COLLIER	1		
2	67	DA00000119	FILTER	TETE D'ASPIRATION	1		
2	68	DA00000118	GROMMET	GAIN CAOUTCHOUC	1		
2	69	DA00000429	BUFFER RUBBER	AMORTISSEUR	1		
2	70	DA00000430	BUFFER RUBBER	AMORTISSEUR	2		
2	71	DA00000432	TAPPING SCREW 4X12	VIS TARAUDEUSE	4		4X12
2	72	DA00000431	STAND	COLONNE	1		
2	122	DA00000444	LABEL,MODEL	PLAQUE	1		MS-27 C
2	124	DA00000447	CRANKCASE ASS'Y	CARTER-VILEBREQUIN CPL.	1		
2	125	DA00000448	CRANKCASE 1 ASS'Y	CARTER-VILEBREQUIN CPL.	1		
2	126	DA00000449	CRANKCASE 2 ASS'Y	CARTER-VILEBREQUIN CPL.	1		
2	127	DA00000450	CLUTCH CASE COMPLETE	CARTER D' EMBRAYAGE CPL.	1		
3	3	DA00000096	SCREW & WASHER ASS'Y	VIS AVEC RONDELLE CPL.	8		
3	48	DA00000417	CARBURETOR	CARBURATEUR	1		
3	49	DA00000418	GASKET,CARBURETOR	JOINT	1		



Products with multiple versions are listed in subsiding order with the newest version on top not indented.

Corresponding technical bulletins are attached.

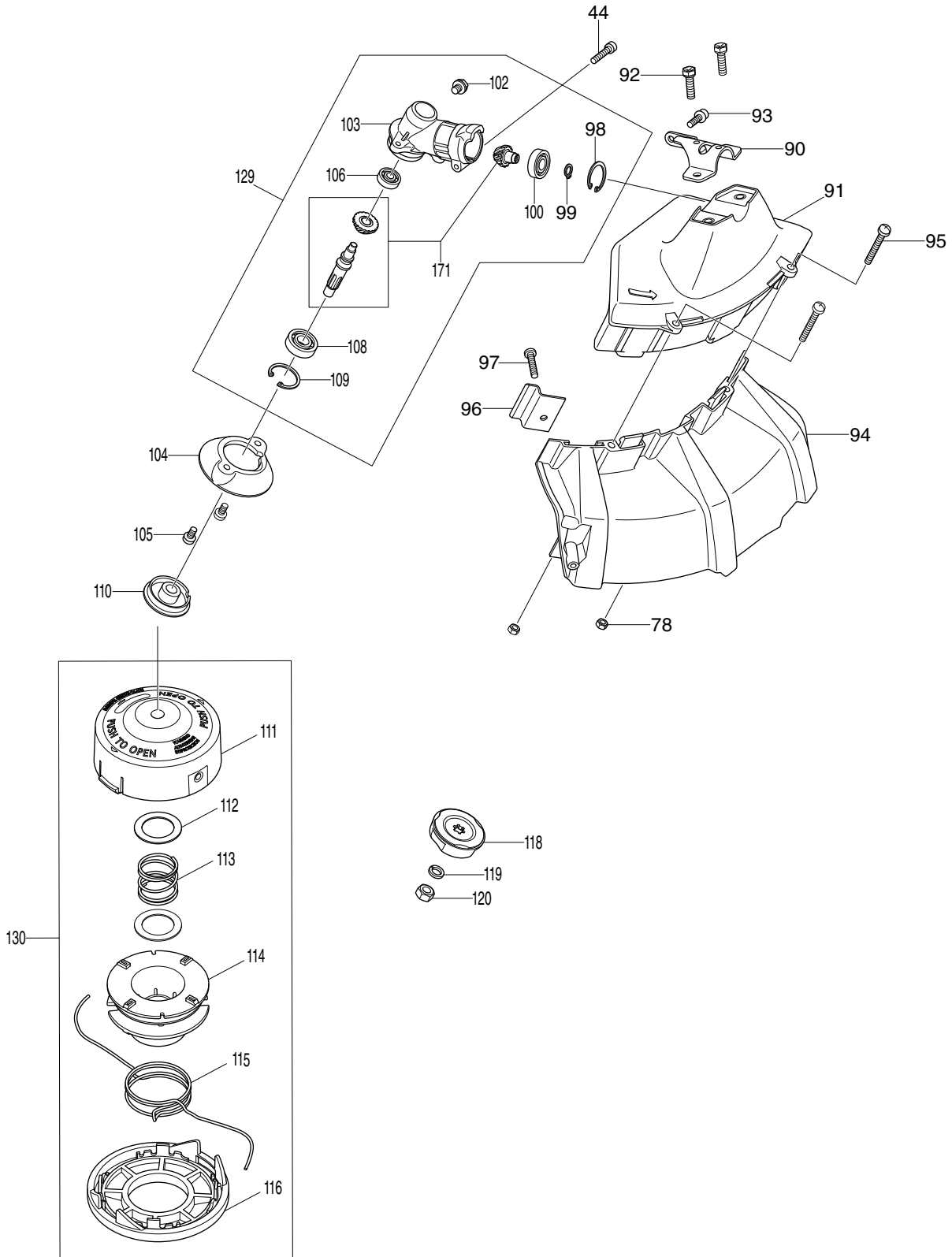
Section	Fig. No.	Part No.	Description	Désignation	MS27C	Tech Bulletin	Notes
3	50	DA00000419	CHOCK LEVER	LEVIER DE STARTER	1		
3	51	DA00000420	CLEANER PLATE	PLAQUE DE FILTRE A AIR CPL.	1		
3	52	DA00000421	CHOCK PLATE	CLAPET DE STARTER	1		
3	53	DA00000422	TAPPING SCREW 3X10	VIS TARAUDEUSE	1		3X10
3	54	DA00000106	PLATE	BRIDE DE FIXATION	1		
3	55	DA00000107	PAN HEAD SCREW M5X63	VIS À TÊTE CYLINDRIQUE	2		M5X63
3	56	DA00000198	SPRING WASHER	RONDELLE A RESSORT	2		
3	57	DA00000423	AIR FILTER	FILTRE À AIR	1		
3	58	DA00000424	AIR CLEANER COVER	COUVERCLE DE FILTRE A AIR	1		
3	128	DA00000452	PLATE,AIR CLEANER ASSY	PLAQUE DE FILTRE A AIR CPL.	1		
3	137	5246001210	SWIVEL	PIVOT	1		
3	138	367413140	WASHER	RONDELLE	1		
3	139	5266009020	SCREW	VIS	2		
3	140	367257964	STOP RING E-3	BAGUE D'ARRÊT	1		
3	141	5266009030	CABLE BRACKET	DE CABLE	1		
3	143	367442155	PUMP GASKET	POMPE JOINT	1		
3	144	367168575	PUMP DIAPHRAGM	PUMPENMEMBRAN	1		
3	145	5266002010	PUMP BODY ASSEMBLY	CORPS DE POMPE CPL	1		
3	146	367352010	INLET SCREEN	ÉCRAN	1		
3	147	442154-1	METERING DIAPHRAGM GASKET	JOINT	1		
3	148	367168620	METERING DIAPHRAGM	DIAPHRAGM	1		
3	149	140988-3	AIR PURGE BODY ASSEMBLY	PURGE DE L'AIR CPL	1		
3	150	367424314	PRIMER PUMP	POMPE	1		
3	151	367346270	PRIMER PUMP COVER	COUVERTURE	1		
3	152	367266582	TAPPING SCREW 3X24	VIS TARAUDEUSE	4		
4	44	DA00000137	SOCKET HEAD BOLT M5X25	VIS	7		M5X25
4	75	DA00000436	SHAFT	ARBRE	1		
4	77	DA00000129	HANGER STOPPER	BRIDE DE FIXATION	1		
4	78	DA00000130	NUT M5	ECROU	7		M5



Products with multiple versions are listed in subsiding order with the newest version on top not indented.

Corresponding technical bulletins are attached.

Section	Fig. No.	Part No.	Description	Désignation	MS27C	Tech Bulletin	Notes
4	79	DA00000131	HANGER	ATTACHE DE BRETTELLE	1		
4	80	DA00000437	PIPE,SHAFT COMPL	TUBE PRINCIPAL CPL.	1		
4	81	DA00000374	HANDLE HOLDER 3	POIGNÉE	1		
4	82	DA00000438	HANDLE INSTALLATION BOARD	DISP. DE SERRAGE	1		
4	83	DA00000439	CONTROL LEVER ASSEMBLY	LEVIER DE RÉGLAGE, CPL.	1		
4	93	DA00000143	SOCKET HEAD BOLT M5X14	VIS	3		M5X14 (W,SW)
4	154	DA00000460	LEVER CASE L	DEMI-POIGNÉE, GAUCHE	1		
4	155	DA00000461	LOCK PIN	Cheville d'arrêt	1		
4	156	DA00000462	LEAF SPRING	LAME RESSORT	1		
4	157	DA00000463	SWITCHLEVER	LEVIER DU COUPE CIRCUIT	1		
4	158	DA00000464	SWITCH COVER	COUVERCLE COMMUTATEUR	1		
4	159	DA00000465	TAPPING SCREW PT3X16	VIS TARAUDEUSE	1		PT3X16
4	160	DA00000466	TORSION SPRING	RESSORT DE TENSION	1		
4	161	DA00000467	THROTTLE LEVER	LEVIER D' ACCÉLÉRATION	1		
4	162	DA00000468	TORSION SPRING	RESSORT DE TENSION	1		
4	163	DA00000469	LOCK LEVER	LEVIER DE VERROUILLAGE	1		
4	164	DA00000470	CLAMP 24	BRIDE DE FIXATION	2		
4	165	DA00000471	LEAD UNIT	CÂBLE	1		
4	166	DA00000472	LEAD UNIT	CÂBLE	1		
4	167	DA00000473	CONTROL CABLE	CÂBLE BOWDEN	1		
4	168	DA00000474	CORRUGATE,TUBE	TUBE À SOUFFLETS	1		
4	169	DA00000475	LEVER CASE R	DEMI-POIGNÉE DROIT	1		
4	170	DA00000476	TAPPING SCREW PT4X18	VIS TARAUDEUSE	4		PT4X18
5	44	DA00000137	SOCKET HEAD BOLT M5X25	VIS	7		M5X25
5	78	DA00000130	NUT M5	ECROU	7		M5
5	90	DA00000144	PROTECTOR CLAMP	COLLIER	1		
5	91	DA00000145	PROTECTOR ASSY	CAPOT DE PROTECTION CPL.	1		



Products with multiple versions are listed in subsiding order with the newest version on top not indented.

Corresponding technical bulletins are attached.

Section	Fig. No.	Part No.	Description	Désignation	MS27C	Tech Bulletin	Notes
5	92	DA00000142	CROSSRECESS BOLT M6X23	VIS	2		M6X23
5	93	DA00000143	SOCKET HEAD BOLT M5X14 (W,SW)	VIS	3		M5X14 (W,SW)
5	94	DA00000147	PROTECTOR	CAPOT DE PROTECTION	1		
5	95	DA00000146	SCREW ASSEMBLY M5X40	VIS CPL.	2		M5X40
5	96	DA00000148	CUTTER	COUTEAU DE FIL	1		
5	97	DA00000149	TAPPING SCREW, ST5X25	VIS TARAUDEUSE	1		ST5X25
5	98	DA00000150	INNER SNAP RING	CIRCLIP	1		
5	99	DA00000151	OUTER SNAP RING	CIRCLIP	1		
5	100	DA00000152	BALL BEARING #609ZZ	ROULEMENT À BILLES	1		#609ZZ
5	102	DA00000154	OIL BOLT M6X8	VIS	1		M6X8
5	103	DA00000155	GEAR CASE	CARTER D'ENGRENAGES CPL.	1		
5	104	DA00000156	GUARD	CAPOT DE PROTECTION	1		
5	105	DA00000157	SCREW ASSEMBLY,M5X25	VIS CPL.	2		M5X25
5	106	DA00000158	BALL BEARING 626ZZ	ROULEMENT À BILLES	1		626ZZ
5	108	DA00000160	BALL BEARING 6000DDU	ROULEMENT À BILLES	1		6000DDU
5	109	DA00000161	INNER SNAP RING	CIRCLIP	1		
5	110	DA00000162	RECEIVE WASHER	DISQUE DE SUPPORT	1		
5	111	DA00000440	BODY,CUTTING	AFFAIRE	1		
5	112	DA00000164	SPRING SEAT	SEAT	2		
5	113	DA00000165	SPRING	RESSORT	1		
5	114	DA00000166	REEL	DEVIDOIR	1		
5	115	DA00000167	NYLON LINE	FIL	1		
5	116	DA00000168	BODY CAP	PAC	1		
5	118	DA00000170	WASHER CLAMP COMPL	DISQUE DE PRESSION	1		
5	119	DA00000171	SPRING WASHER	RONDELLE A RESSORT	1		
5	120	DA00000172	NUT	ECROU	1		
5	129	DA00000453	GEAR CASE ASSY	CARTER D'ENGRENAGES CPL.	1		
5	130	DA00000500	NYLON CORD SET	FIL	1		