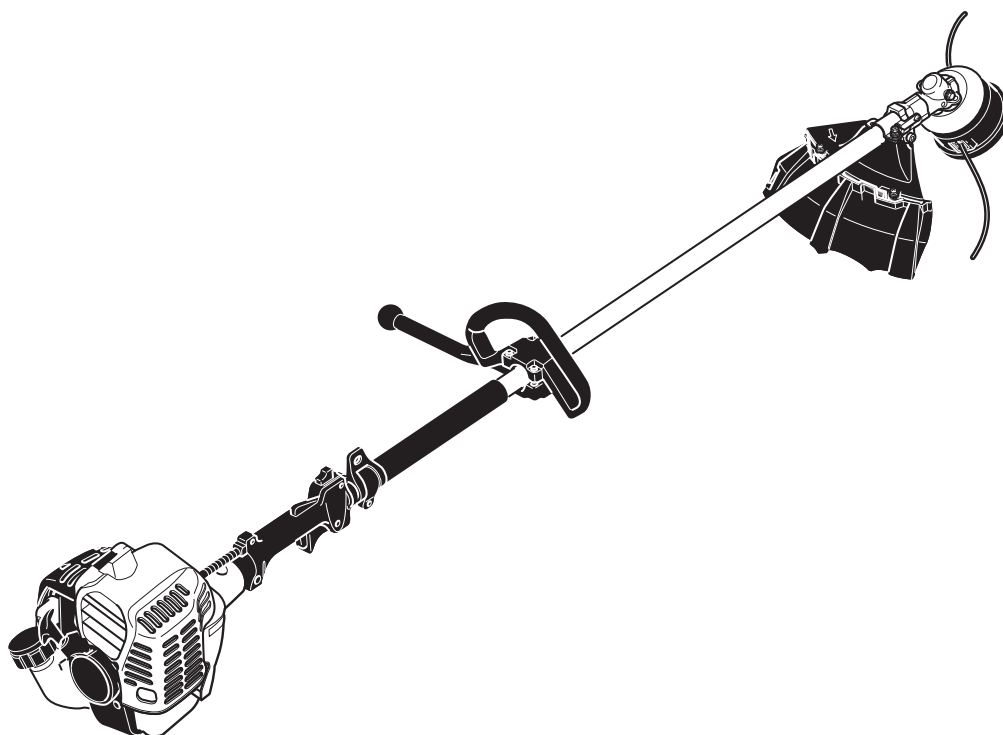


Spare Parts List

2006-03



MS-253

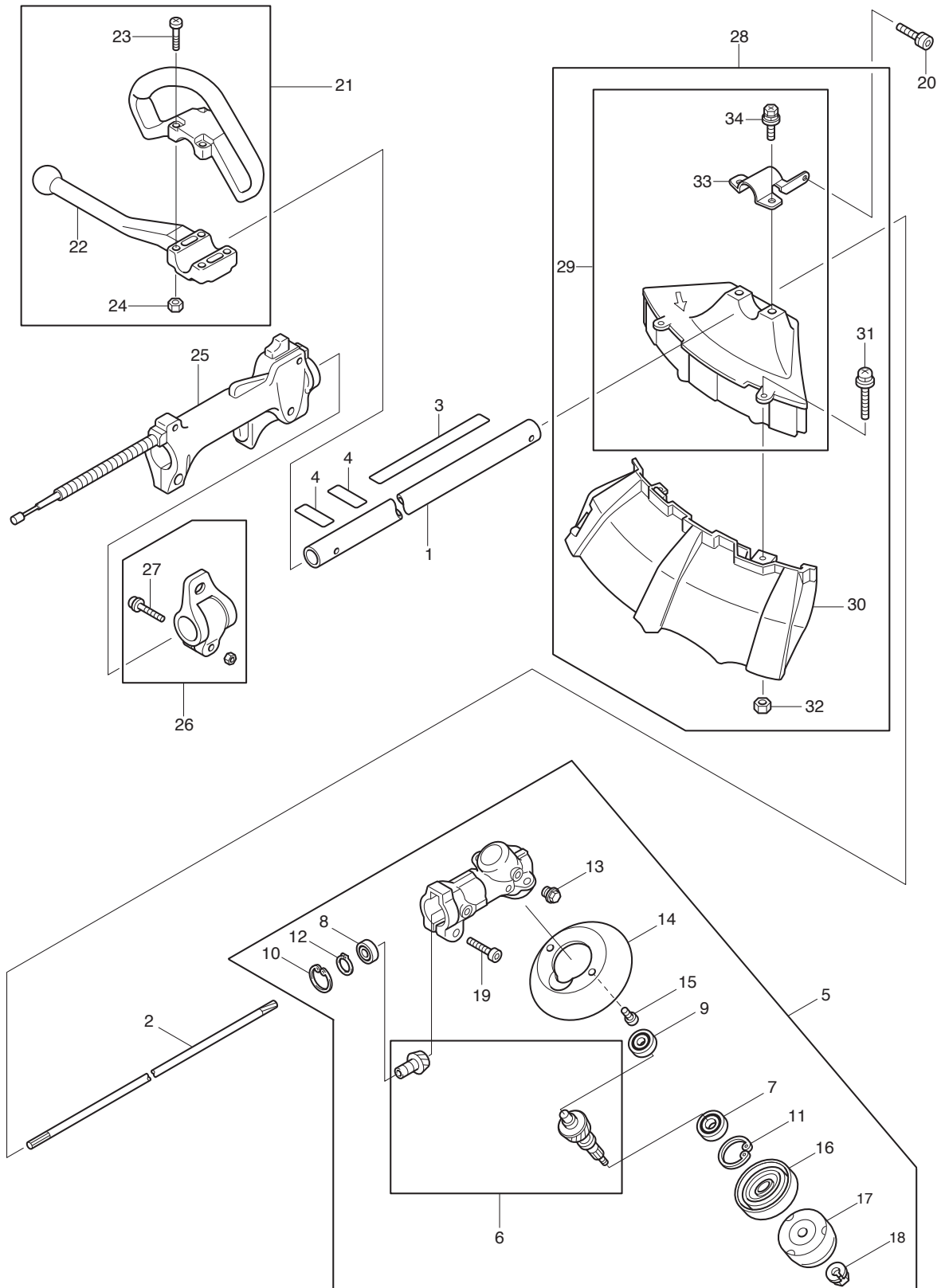
IMPORTANT! - To assure product SAFETY and RELIABILITY, repairs, maintenance or adjustments should be performed by DOLMAR Service Centers, or other qualified service organisations. Always use DOLMAR replacement parts.

DOLMAR



A member of the *Makita* Group

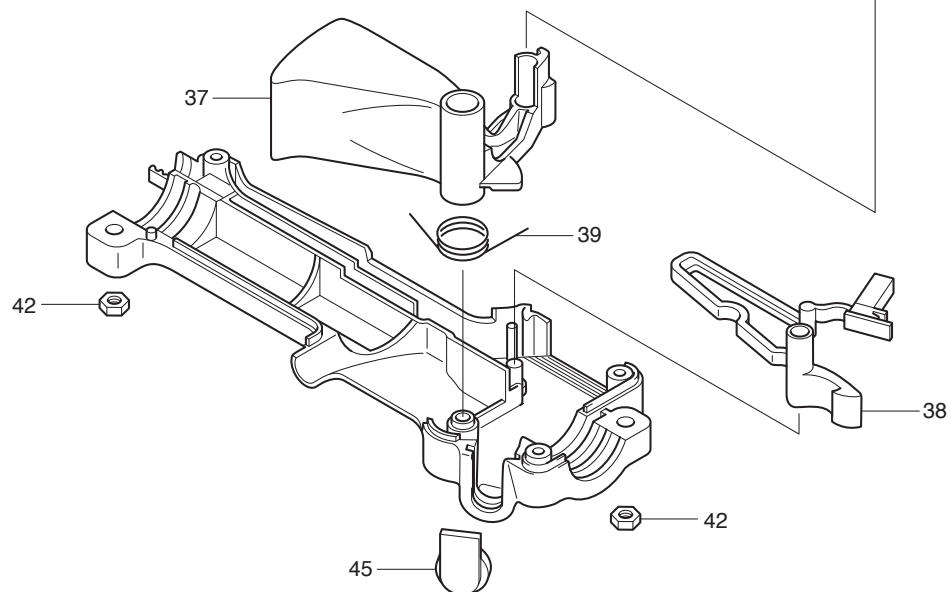
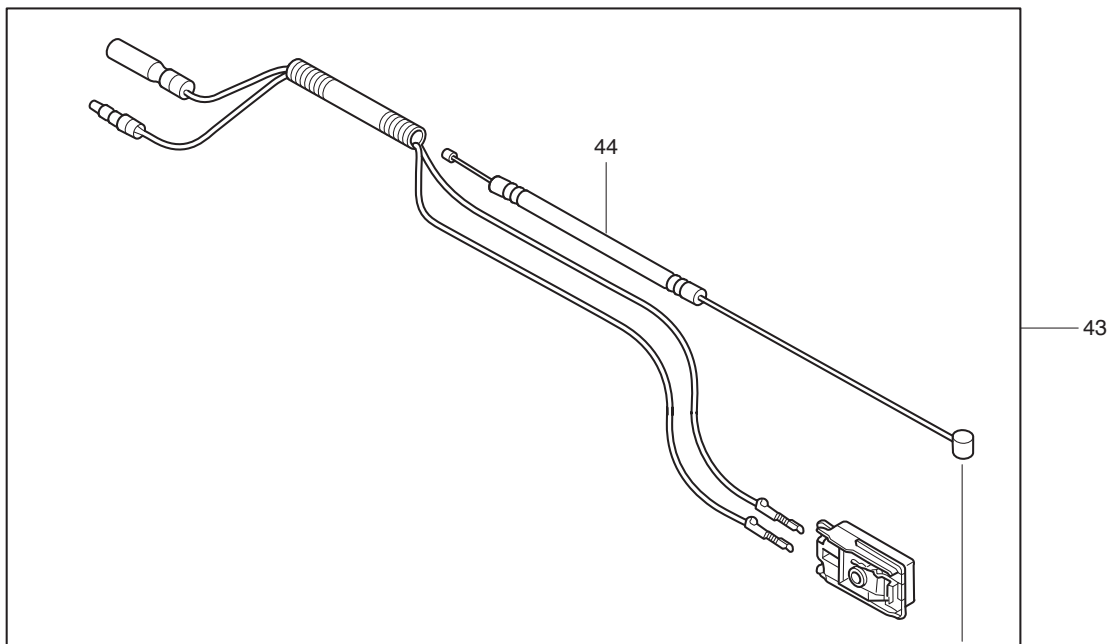
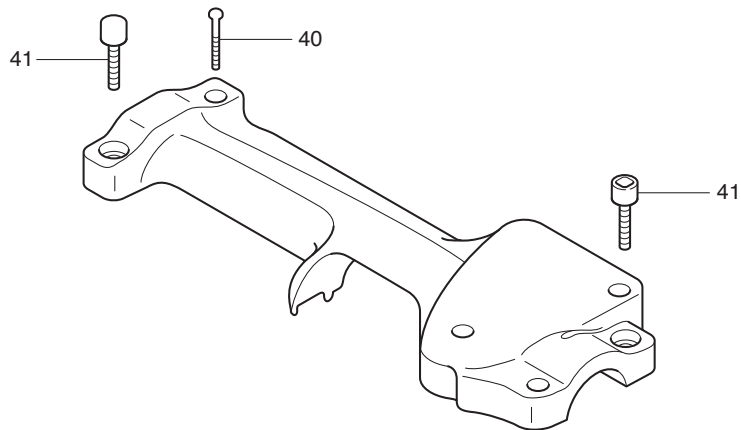
995 700 255 (GB)



MS-253

DOLMAR

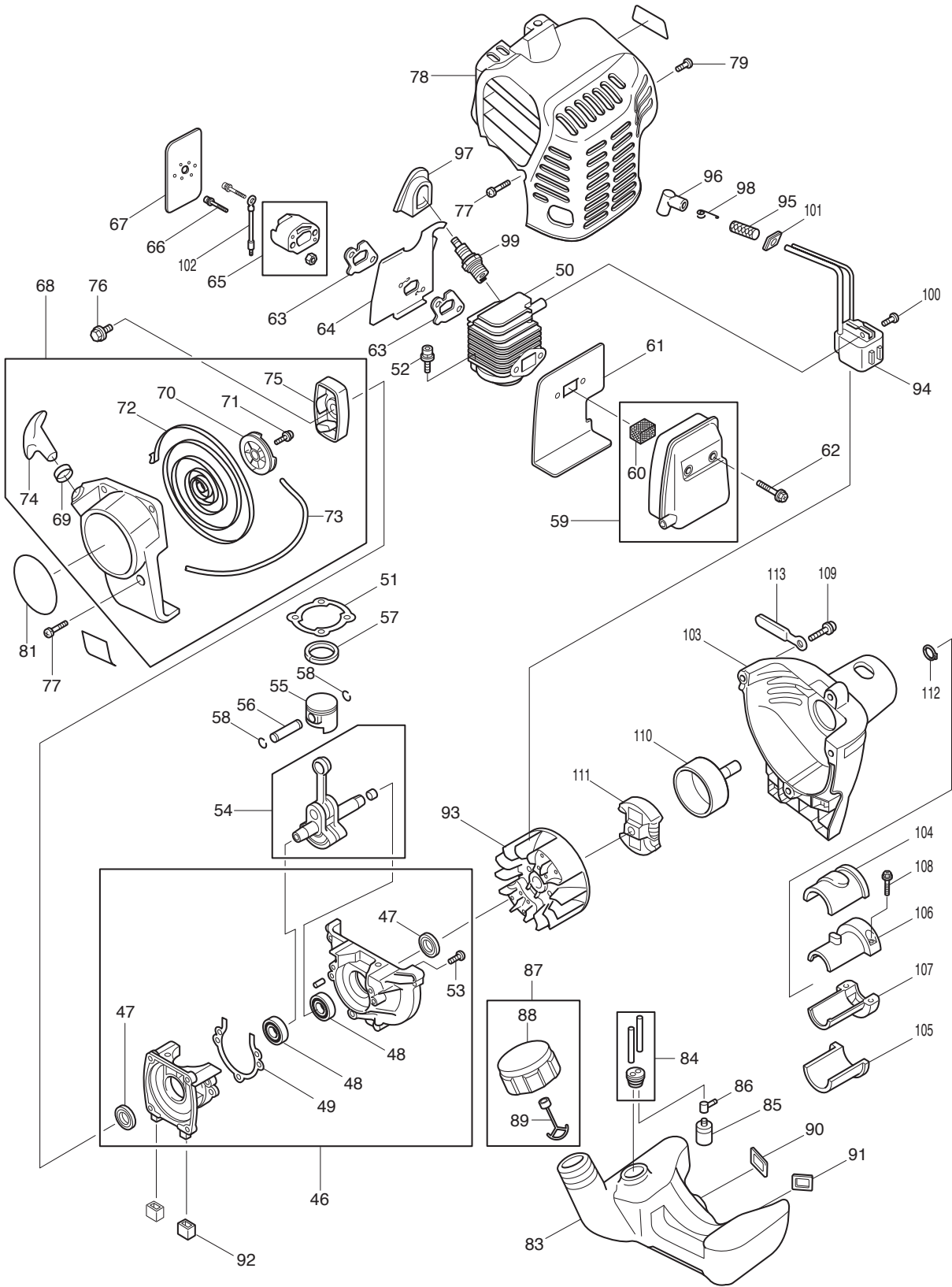
Page	Pos.	MS-253	Part No.	Notes	Description	Specifications
1	1	1	388 102 600		SHAFT PIPE COMPLETE	
1	2	1	367 150 630		SHAFT	
1	3	1	374 954 050		CAUTION LABEL	
1	4	2	367 951 470		CAUTION LABEL	
1	5	1	383 300 600		GEAR CASE ASSY	INCL. FIG. 6-19
1	6	1	388 300 800		CUTTER SHAFT SET	
1	7	1	388 010 991		BALL BEARING	6000DDU
1	8	1	381 250 030		BALL BEARING	#609ZZ
1	9	1	367 006 999		BALL BEARING	626ZZ
1	10	1	381 142 400		INNER SNAP RING	
1	11	1	381 142 600		INNER SNAP RING	
1	12	1	374 300 612		OUTER SNAP RING	
1	13	1	367 301 101		OIL BOLT	M6X9
1	14	1	381 850 020		GUARD	
1	15	2	381 005 939		SCREW ASSEMBLY	
1	16	1	367 850 160		RECEIVE WASHER	
1	17	1	381 800 300		CLAMP COMPL. WASHER	
1	18	1	367 850 500		NUT	
1	19	1	367 905 989		S. H. BOLT	M5X25
1	20	1	367 905 949		S. H. BOLT	M5X14 W,SW
1	21	1	374 401 600		HANDLE SET	INCL. FIG. 22-24
1	22	1	374 401 602		HANDLE HOLDER	
1	23	4	374 401 603		SCREW	
1	24	4	381 270 500		NUT	M5
1	25	1	374 502 800		CONTROL LEVER ASSY	INCL. FIG. 37-45, SECTION 2
1	26	1	367 401 900		HANGER ASS'Y	INCL. FIG. 27
1	27	1	381 005 936		SCREW & WASHER ASS'Y	
1	28	1	367 806 000	STANDARD EQUIPMENT	PROTECTOR ASS'Y	INCL. FIG. 29-34
1	29	1	367 806 100	STANDARD EQUIPMENT	PROTECTOR ASS'Y	INCL. FIG. 33,34
1	30	1	367 805 300		PROTECTOR COMPLETE	
1	31	2	381 005 938		SCREW ASSEMBLY	
1	32	2	367 180 500		NUT	
1	33	1	382 850 820		PROTECTOR CLAMP	
1	34	2	381 006 979		BOLT	M6X30



MS-253



Page	Pos.	MS-253	Part No.	Notes	Description	Specifications
2	37	1	374 500 603		LEVER	
2	38	1	367 502 306		LEVER	
2	39	1	367 500 605		SPRING	
2	40	4	367 500 606		TAPPING SCREW	M4X20
2	41	2	374 905 972		S. H. BOLT	M5X20
2	42	2	374 501 116		NUT	
2	43	1	374 502 805		WIRE SET	INCL. FIG. 44
2	44	1	374 502 804		CONTROL CABLE	
2	45	1	381 500 615		TOP	

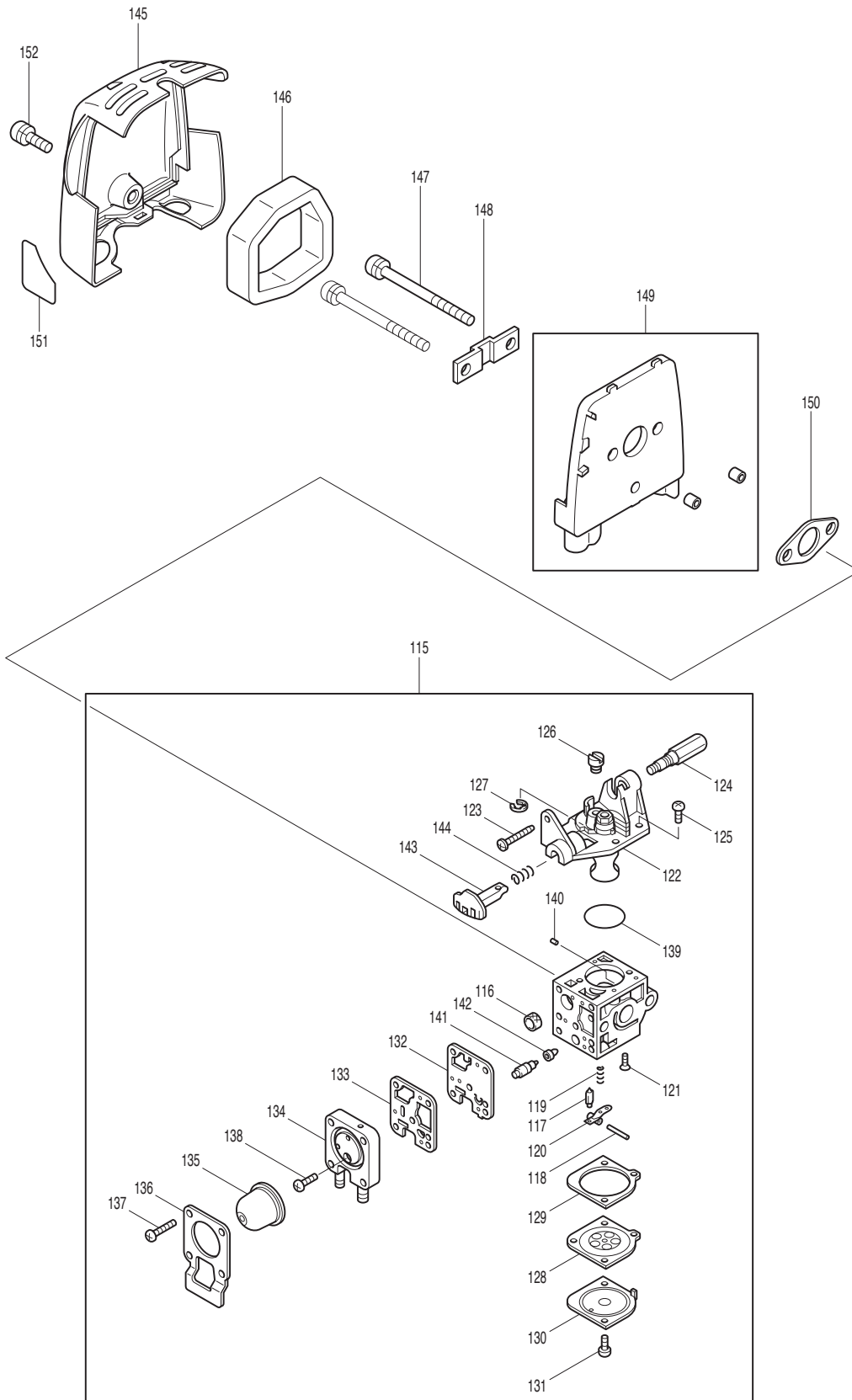


MS-253

DOLMAR



Page	Pos.	MS-253	Part No.	Notes	Description	Specifications
3	46	1	388 101 100		CRANK CASE ASS'Y	INCL. FIG. 47-49, 53
3	47	2	388 012 997		OIL SEAL	
3	48	2	388 012 985		BALL BEARING	6001C3 UR
3	49	1	388 150 220		CRANKCASE GASKET	
3	50	1	388 150 180		CYLINDER	
3	51	1	388 150 230		CYLINDER GASKET	
3	52	2	382 905 973		S. H. BOLT	M5X20
3	53	3	388 005 952		SCREW	M5X25
3	54	1	367 201 600		CRANKSHAFT COMPLETE	
3	55	1	388 250 080		PISTON	
3	56	1	388 250 260		PISTON PIN	
3	57	1	382 250 070		PISTON RING	
3	58	2	388 508 997		CLIP	
3	59	1	388 307 300		EXHAUST MUFFLER	INCL. FIG. 60
3	60	1	388 303 301		SPARK ARRESTER	
3	61	1	374 350 310		MUFFLER GASKET	
3	62	2	388 905 960		S. H. BOLT	M5X45
3	63	2	388 350 390		INSULATOR GASKET	
3	64	1	367 350 520		CARBURETOR INSULATOR	
3	65	1	388 300 600		INSULATOR COMPLETE	
3	66	2	388 005 950		SCREW	M5X25
3	67	1	388 350 030		GASKET SPACER	
3	68	1	388 501 100		REWIND STARTER ASSY	INCL. FIG. 69-75
3	69	1	388 500 104		DAMPER	
3	70	1	367 502 401		REEL	
3	71	1	388 500 301		SET SCREW	
3	72	1	367 502 403		SPIRAL SPRING	
3	73	1	388 501 602		STARTER ROPE	
3	74	1	388 500 402		HANDLE	
3	75	1	367 502 500		PULLEY	
3	76	1	388 550 470		BOLT ASS'Y	
3	77	4	374 005 945		SCREW	M5X18
3	78	1	388 550 520		CYLINDER COVER	
3	79	1	388 005 979		TAPPING SCREW	5X14
3	81	1	374 954 110		MODEL LABEL	
3	83	1	388 650 180		FUEL TANK	
3	84	1	388 117 996		TUBE	
3	85	1	382 650 390		FILTER	
3	86	1	381 105 999		HOSE CLAMP	
3	87	1	377 605 900		FUEL TANK CAP COMPLETE	INC. 88,89
3	88	1	374 605 800		FUEL TANK CAP	
3	89	1	374 606 700		STRAP	
3	90	1	381 650 020		PLATE	
3	91	1	381 650 030		PLATE	
3	92	2	381 650 025		DAMPER	
3	93	1	388 703 401		FLYWHEEL	
3	94	1	388 702 701		COIL	
3	95	1	388 106 992		TUBE	
3	96	1	388 500 987		PLUG CAP	
3	97	1	388 750 010		PLUG CAP COVER	
3	98	1	377 400 993		PLUG CAP SPRING	
3	99	1	374 014 981		SPARK PLUG	
3	100	2	367 004 992		SCREW ASS'Y	M4X20
3	101	1	388 750 320		GROMMET	
3	102	1	381 550 020		WIRE	
3	103	1	374 104 700		CLUTCH CASE COMPLETE	
3	104	1	367 150 660		PIPE DAMPER 1	
3	105	1	367 150 670		PIPE DAMPER 2	
3	106	1	367 150 950		PIPE BRACKET (1)	
3	107	1	367 150 690		PIPE BRACKET (2)	
3	108	2	381 905 995		S. H. BOLT	M5X18
3	109	3	381 005 936		SCREW & WASHER ASS'Y	
3	110	1	367 201 400		CLUTCH DRUM COMPLETE	
3	111	1	388 200 500		CLUTCH ASS'Y	
3	112	1	382 151 200		OUTER SNAP RING	
3	113	1	374 605 998		CLAMP	



MS-253

DOLMAR

Page	Pos.	MS-253	Part No.	Notes	Description	Specifications
4	115	1	374 607 700		CARBURETOR	INCL. FIG. 116-144
4	116	1	374 606 901		STRAINER	
4	117	1	377 604 321		INLET NEEDLE VALVE	
4	118	1	377 604 324		PIN	
4	119	1	377 604 322		METERING LEVER SPRING	
4	120	1	377 604 323		METERING LEVER	
4	121	1	374 606 902		SCREW	
4	122	1	374 607 701		ROTOR COVER ASSY	
4	123	1	374 606 904		TAS	
4	124	1	374 606 943		WIRE SCREW ADJUST	
4	125	3	374 606 911		SCREW(FOR COVER)	
4	126	1	374 607 004		POST	
4	127	1	374 606 913		E-RING	
4	128	1	374 606 914		DIAPHRAGM ASSY METERING	
4	129	1	374 606 915		GASKET,METERING	
4	130	1	374 606 916		COVER,METERING	
4	131	2	374 606 921		SCREW	
4	132	1	374 606 922		DIAPHRAGM,PUMP	
4	133	1	374 606 923		GASKET,PUMP	
4	134	1	374 606 944		PRIMER BASE ASSY	
4	135	1	374 607 003		SYRINGE	
4	136	1	374 607 702		RETAINER	
4	137	4	374 606 926		SCREW	
4	138	1	374 606 931		SCREW (FOR BASE PRIMER)	
4	139	1	374 606 932		O-RING (FOR COVER ROTOR)	
4	140	1	374 606 933		ROLLER,GUIDE PIN	
4	141	1	374 606 934		PLUG,KIT	
4	142	1	374 606 935		JET,REMOTE	
4	143	1	374 606 936		ROD STARTER	
4	144	1	374 606 941		SPRING	
4	145	1	388 350 260		AIR CLEANER CASE	
4	146	1	388 350 470		AIR CLEANER ELEMENT	
4	147	2	367 360 565		SCREW	M5X62
4	148	1	381 350 240		AIR CLEANER PLATE ASSY	
4	149	1	388 302 100		CLEANER PLATE COMPLETE	
4	150	1	388 350 420		CARBURETOR GASKET	
4	151	1	374 625 989		LABEL	
4	152	1	381 005 948		SCREW ASS'Y	M5X14
4	*A01	1	374 700 300	STANDARD EQUIPMENT	BAND ASS'Y	
4	*A02	1	374 601 430	STANDARD EQUIPMENT	BUMP & FEED	BF4L
4	*A03	1	381 900 600	STANDARD EQUIPMENT	TOOL KIT	INCL. FIG. A04
4	*A04	1	374 704 999	STANDARD EQUIPMENT	HEX. WRENCH	
	* NO PICT.					

- | | |
|---|-----------------------------------------------------|
| 1 | Pipe, handle, protector, gear case |
| 2 | Control lever, wire set |
| 3 | Engine, starter, clutch, fuel tank, exhaust muffler |
| 4 | Carburetor, air cleaner, accessories |

	Key to symbols
⇒ 1999999 2000000 ⇒ 2003.04 ⇒ TI 2003/07 Acc. = { m Corr.	Production to serial number New part from serial number New part from Year / Month See Technical Information Year / No. Accessories (not included in the delivery inventory) No standard execution, may be used Contains item number Sold by the meter Error correction
	Specifications subject to change without notice