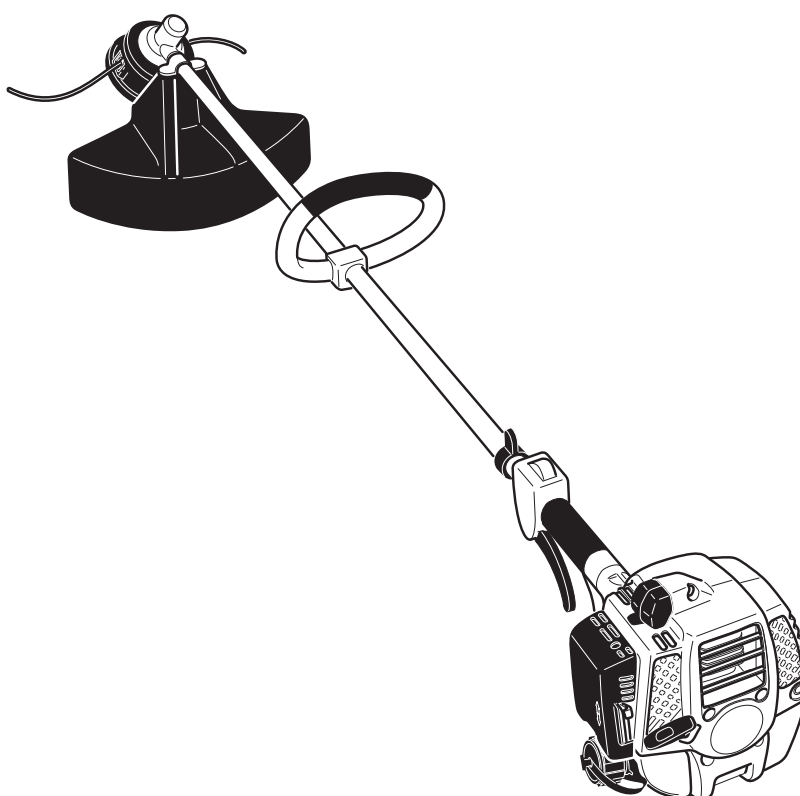


# Spare Parts List

2006-03



**MS-2501**

IMPORTANT! - To assure product SAFETY and RELIABILITY, repairs, maintenance or adjustments should be performed by DOLMAR Service Centers, or other qualified service organisations. Always use DOLMAR replacement parts.

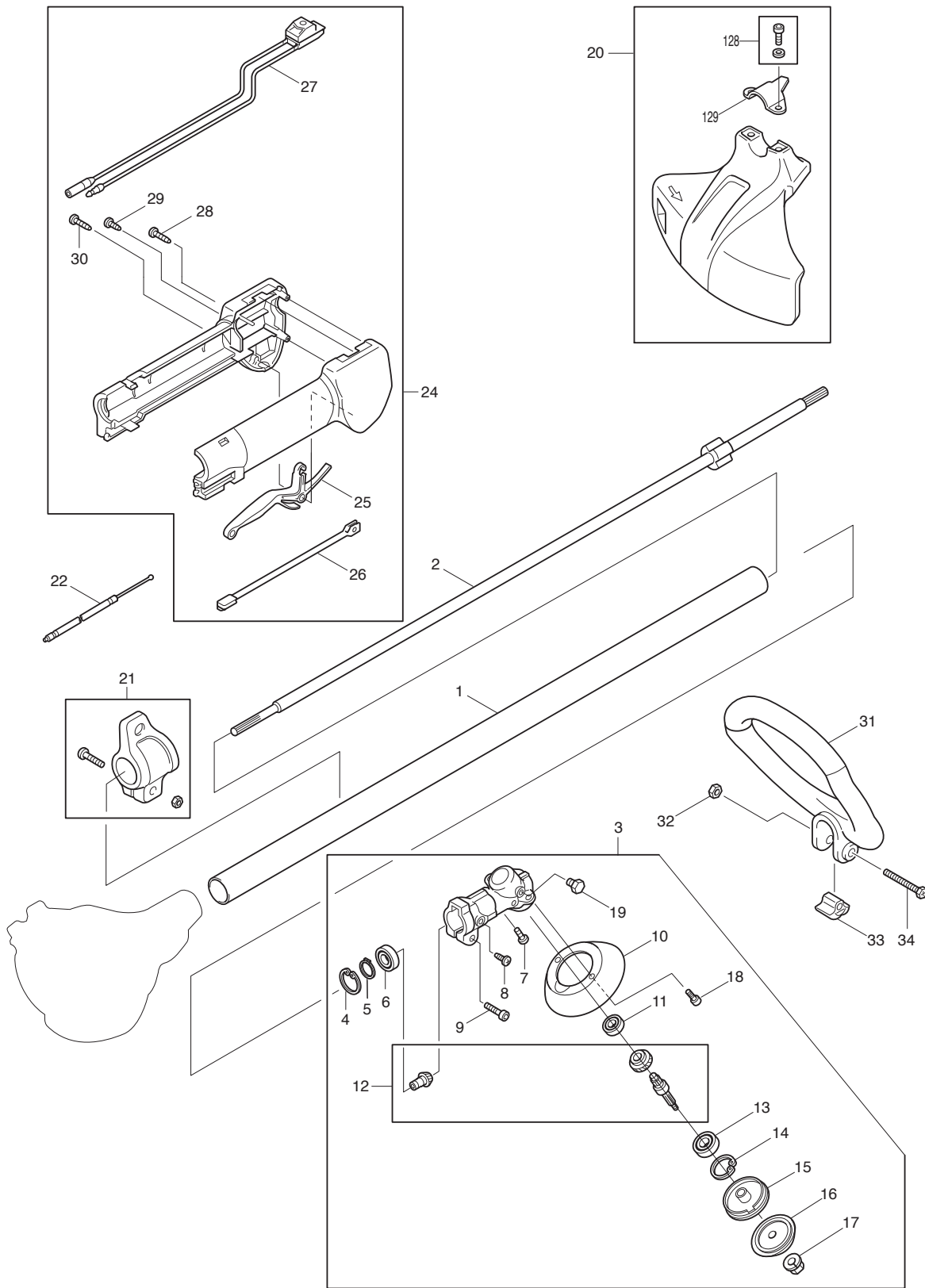
---

**DOLMAR**



A member of the *Makita* Group

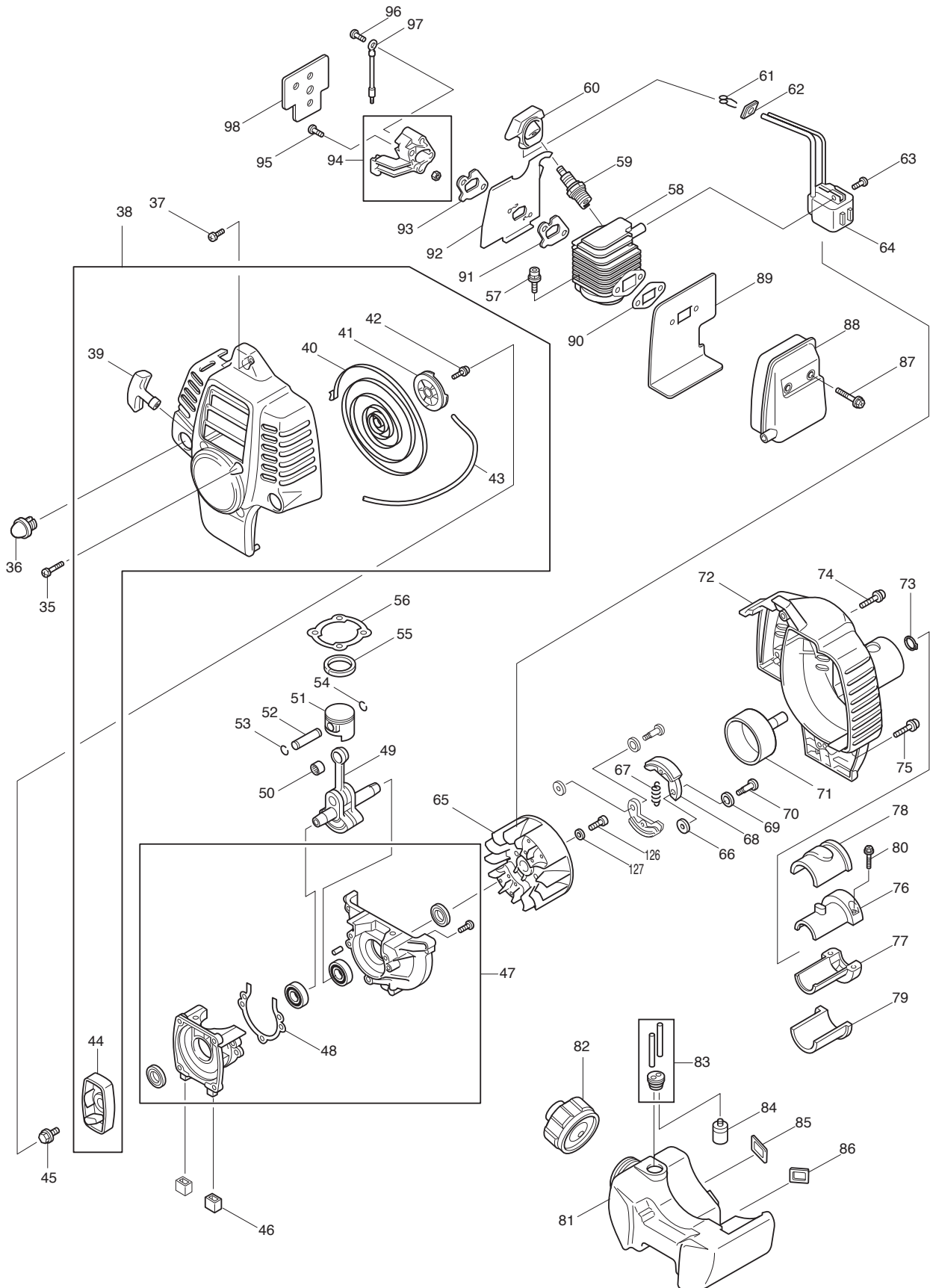
995 700 266 (GB)



# MS-2501



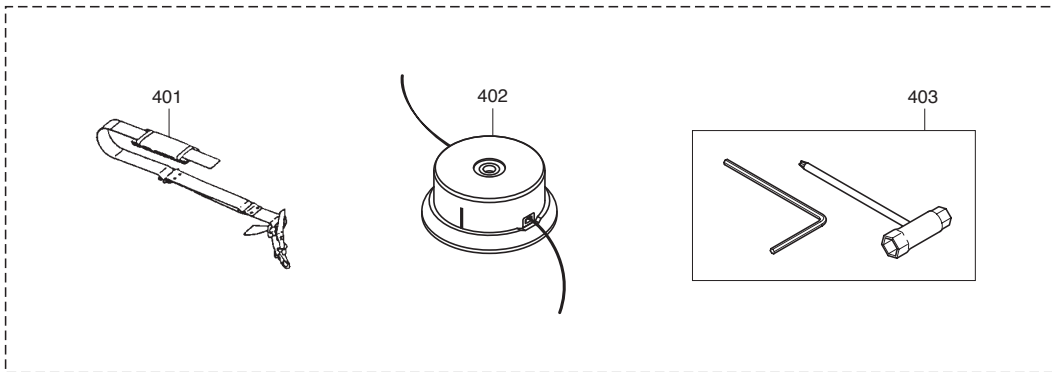
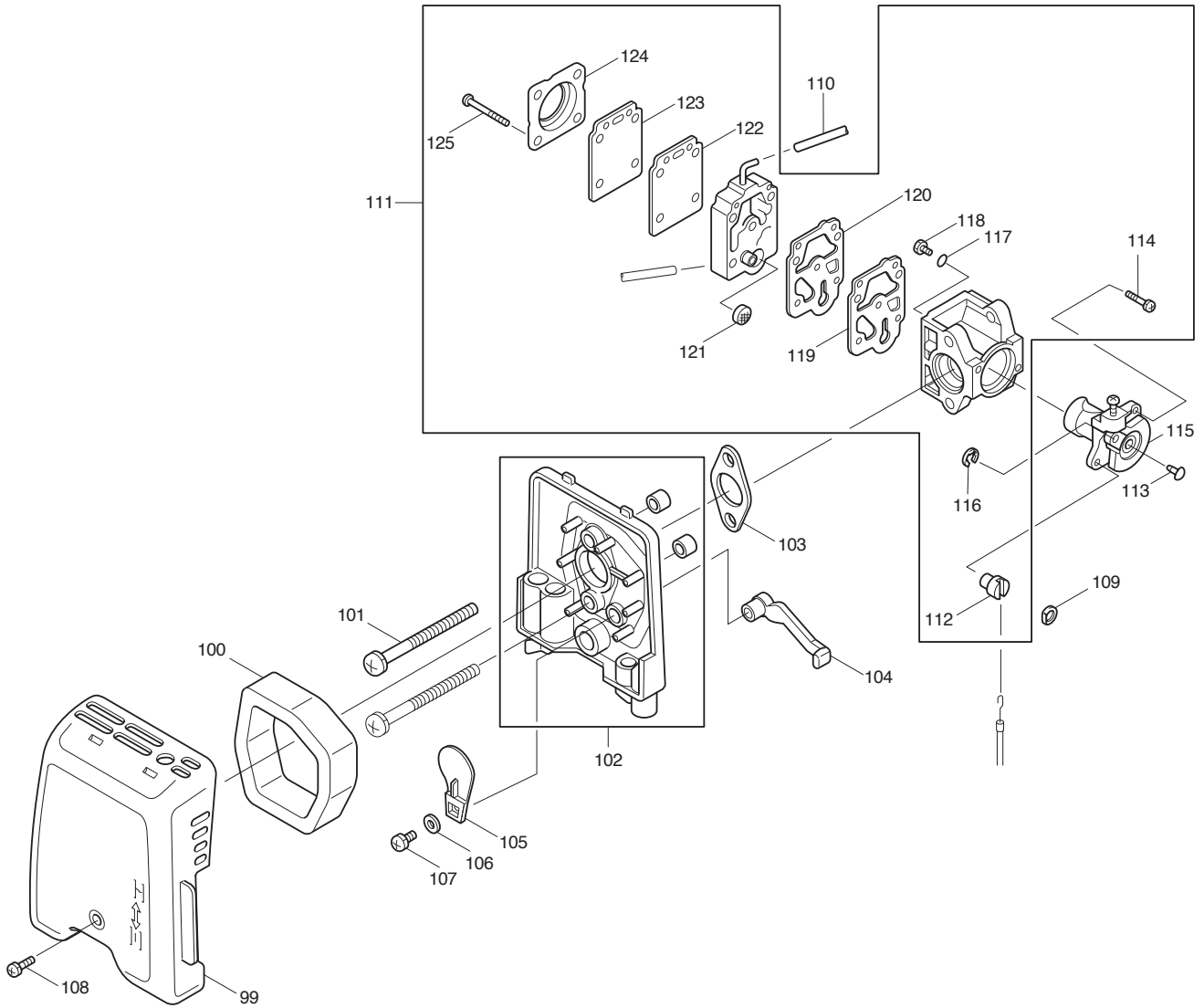
Page	Pos.	MS-2501	Part No.	Notes	Description	Specifications
1	1	1	388 101 500		PIPE SHAFT CPL.	INC. 2
1	2	1	374 150 210		SHAFT	
1	3	1	367 301 700		GEAR CASE ASS'Y	INC. 4-19
1	4	1	381 142 400		INNER SNAP RING	
1	5	1	381 150 800		OUTER SNAP RING	
1	6	1	381 250 030		BAL BEARING	#609ZZ
1	7	1	367 310 506		P. H. SCREW	
1	8	1	367 905 990		S. H. BOLT	M5X12
1	9	1	367 905 989		S. H. BOLT	M5X25
1	10	1	381 850 020		GUARD	
1	11	1	367 006 999		BALL BEARING	626ZZ
1	12	1	367 302 100		GEAR SET	
1	13	1	367 010 993		BALL BEARING	6000DDU
1	14	1	381 142 600		INNER SNAP RING	
1	15	1	367 850 160		RECEIVE WASHER	
1	16	1	382 800 300		CLAMP WASHER	
1	17	1	367 850 500		NUT	
1	18	2	381 905 978		S. H. BOLT	M5X12
1	19	1	367 301 101		BOLT	
1	20	1	381 802 800		PROTECTOR ASS'Y	INC. 128, 129
1	21	1	367 401 900		HANGER ASS'Y	
1	22	1	388 003 990		CONTROL CABLE	
1	24	1	374 501 600		CONTROL LEVER ASS'Y	INC. 25 - 30
1	25	1	388 550 060		LEVER	
1	26	1	388 550 070		CONNECTOR	
1	27	1	388 500 900		SWITCH	
1	28	1	388 004 992		TAPPING SCREW	
1	29	1	388 004 991		TAPPING SCREW	
1	30	1	388 004 992		TAPPING SCREW	
1	31	1	374 400 500		HANDLE CPL.	
1	32	1	388 370 600		FLANGE NUT	M6
1	33	1	388 950 020		SPACER	
1	34	1	374 006 982		CROSS RECESS BOLT	
1	128	2	381 170 630		BOLT	M6X30
1	129	1	374 850 030		PROTECTION CLAMP	



# MS-2501



Page	Pos.	MS-2501	Part No.	Notes	Description	Specifications
2	35	4	374 005 945		SCREW	M5X18
2	36	1	388 650 430		PUMP	
2	37	1	388 550 460		TAPPING SCREW	
2	38	1	374 503 600		STARTER COVER CPL.	INC. 39-44
2	39	1	381 500 211		STARTER KNOB	
2	40	1	367 502 403		SPIRAL SPRING	
2	41	1	367 502 401		REEL	
2	42	1	388 500 301		SET SCREW	
2	43	1	374 502 402		STARTER ROPE	
2	44	1	367 502 500		PULLEY	
2	45	1	388 550 470		BOLT ASS'Y	
2	46	2	381 650 025		DAMPER	
2	47	1	388 101 100		CRANKCASE CPL.	INC. 48
2	48	1	388 150 220		CRANKCASE GASKET	
2	49	1	374 201 700		CRANKSHAFT CPL.	
2	50	1	381 008 999		NEEDLE ROLLER BEARING	
2	51	1	388 250 190		PISTON	
2	52	1	388 250 260		PISTON PIN	
2	53	1	388 508 997		CLIP	
2	54	1	388 508 997		CLIP	
2	55	1	382 250 070		PISTON RING	
2	56	1	388 150 230		CYLINDER GASKET	
2	57	2	382 905 973		S. H. BOLT	M5X20
2	58	1	388 150 180		CYLINDER	
2	59	1	374 014 981		SPARK PLUG	
2	60	1	388 750 330		PLUG CAP	
2	61	1	377 400 993		PLUG CAP SPRING	
2	62	1	388 750 320		GROMMET	
2	63	2	367 004 992		SCREW ASS'Y	
2	64	1	388 703 102		COIL	
2	65	1	388 700 201		FLYWHEEL	
2	66	2	381 250 090		WASHER	
2	67	1	374 850 050		CLUTCH SPRING	
2	68	2	374 250 080		CLUTCH SHOE	
2	69	2	383 008 991		WASHER	M8
2	70	2	381 250 040		CLUTCH BOLT	
2	71	1	374 201 200		CLUTCH DRUM CPL.	
2	72	1	377 503 800		ENGINE COVER CPL.	
2	73	1	382 151 200		OUTER SNAP RING	
2	74	2	374 005 970		SCREW ASS'Y	M5X20
2	75	1	374 005 970		SCREW ASS'Y	M5X20
2	76	1	367 150 680		PIPE BRACKET (1)	
2	77	1	367 150 690		PIPE BRACKET (2)	
2	78	1	367 150 660		PIPE DAMPER (1)	
2	79	1	367 150 670		PIPE DAMPER (2)	
2	80	2	381 905 995		S. H. BOLT	M5X18
2	81	1	388 650 410		FUEL TANK	
2	82	1	367 601 500		FUEL TANK CAP	
2	83	1	388 604 800		TUBE	
2	84	1	382 650 390		FILTER	
2	85	1	381 650 030		PLATE	
2	86	1	381 650 020		PLATE	
2	87	2	388 905 960		S. H. BOLT	M5X45
2	88	1	367 304 100		EXHAUST MUFFLER	
2	89	1	367 350 530		MUFFLER INSULATOR	
2	90	1	388 350 430		MUFFLER GASKET	
2	91	1	388 350 390		INSULATOR GASKET	
2	92	1	367 350 520		CARBURETOR INSULATOR	
2	93	1	388 350 390		INSULATOR GASKET	
2	94	1	388 303 800		INSULATOR CPL.	
2	95	1	388 005 950		SCREW	M5X25
2	96	1	388 005 950		SCREW	M5X25
2	97	1	388 550 120		WIRE	
2	98	1	388 350 410		INSULATOR GASEKT	
2	126	1	381 130 616		BOLT ASS'Y	
2	127	1	381 120 600		WASHER	



# MS-2501



Page	Pos.	MS-2501	Part No.	Notes	Description	Specifications
3	99	1	367 350 550		AIR CLEANER CASE	
3	100	1	388 350 470		AIR CLEANER ELEMENT	
3	101	2	367 360 565		SCREW	M5X62
3	102	1	388 350 450		CLEANER PLATE	
3	103	1	388 350 420		CARBURETOR GASKET	
3	104	1	388 350 480		CHOKE LEVER	
3	105	1	388 350 500		CHOKE PLATE	
3	106	1	388 110 400		WASHER	
3	107	1	388 004 998		TAPPING SCREW	M4X8
3	108	1	367 360 514		SCREW ASS'Y	
3	109	1	388 950 000		HOLDER	
3	110	1	367 114 996		TUBE	2.5X5X140
3	111	1	374 605 700		CARBURETOR	INC. 112, 114, 116 -125
3	112	1	381 601 804		SWIVEL	
3	113	1	381 600 811		PLUG	
3	114	2	388 600 803		PAN HEAD SCREW	
3	115	1	388 604 702		THROTTLE VALVE ASS'Y	
3	116	1	381 600 512		RING	
3	117	1	381 600 101		O-RING	
3	118	1	374 605 701		JET	
3	119	1	381 600 103		PUMP GASKET	
3	120	1	381 600 104		PUMP DIAPHRAGM	
3	121	1	381 600 401		INLET SCREEN	
3	122	1	388 600 413		GASKET	
3	123	1	381 600 525		METERING DIAPHRAGM ASS'Y	
3	124	1	388 600 503		PRIMER PUMP COVER	
3	125	4	388 600 202		PAN HEAD SCREW	
3	401	1	367 700 300		BAND ASS'Y	
3	402	1	374 601 430		TRIMMER HEAD	
3	403	1	381 900 600		TOOL KIT	

- |   |   |
|---|---|
| 1 | Pipe, handle, protector, gear case, control lever   |
| 2 | Engine, starter, clutch, fuel tank, exhaust muffler |
| 3 | Carburetor, air cleaner, accessories                |

	Key to symbols
<b>⇒ 1999999</b> <b>2000000 ⇒</b> <b>2003.04 ⇒</b> <b>TI 2003/07</b> <b>Acc.</b> <b>=</b> <b>{</b> <b>m</b> <b>Corr.</b>	Production to serial number New part from serial number New part from Year / Month See Technical Information Year / No. Accessories (not included in the delivery inventory) No standard execution, may be used Contains item number Sold by the meter Error correction
	Specifications subject to change without notice