

## Multipurpose tool - F 013 MM2 000 - MM20

[www.powertools-aftersaleservice.com](http://www.powertools-aftersaleservice.com)



**BOSCH**

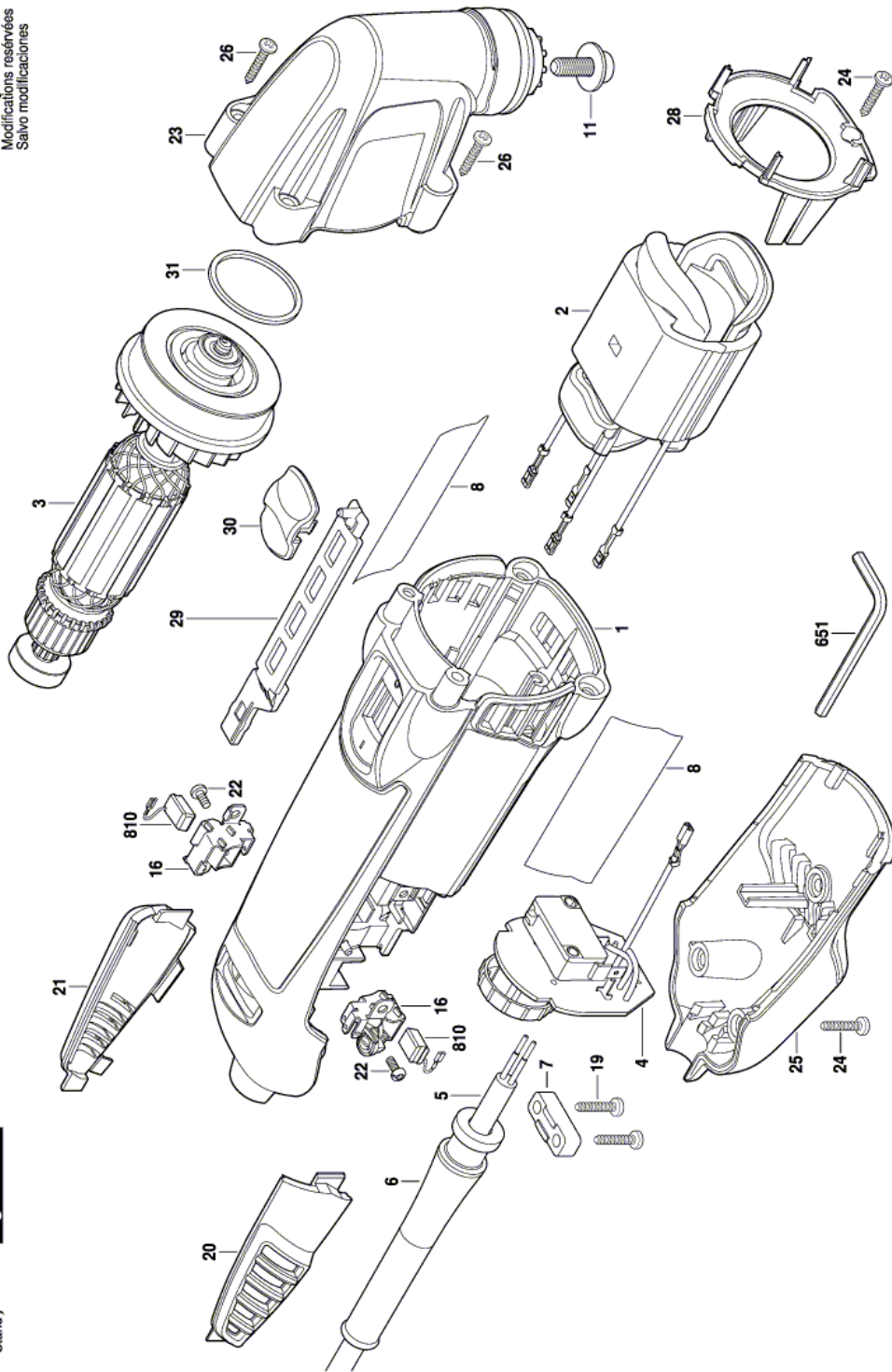
Item	Part Number	Description	Illustration	Price	Quantity	Price Group
1	2 610 013 900	Motor Housing	1	-,-	1	27
2	2 610 013 921	Field 110V	1	-,-	1	32
3	2 610 013 922	Armature System 110V	1	-,-	1	38
4	2 610 013 399	Speed governor	1	-,-	1	30
5	2 604 460 122	Power supply cord USA/CDN 2,15m 2 x 0,82mm SJ 18/2	1	-,-	1	28
6	2 610 016 369	Cord guard	1	-,-	1	11
7	2 601 035 001	Cable Clip	1	-,-	1	11
8	2 610 013 979	Label	1	-,-	1	10
11	2 610 007 725	Screw	1	-,-	1	10
16	1 619 P02 845	Brush Holder	1	-,-	2	14
19	2 603 490 022	Screw 4x16	1	-,-	2	10
20	2 610 013 972	Brush-Cover	1	-,-	1	11
21	2 610 013 971	Brush-Cover	1	-,-	1	11
22	1 619 P02 849	Torx Oval-Head Screw 3x8	1	-,-	2	10
23	2 610 013 981	Housing Assembly	1	-,-	1	31
24	2 615 294 035	Cross Recessed-Head Screw	1	-,-	4	11
25	2 610 013 901	Housing Cover	1	-,-	1	19
26	2 610 956 954	Screw	1	-,-	4	10
28	2 610 013 902	Baffle	1	-,-	1	11
29	2 610 013 903	Lever	1	-,-	1	10
30	2 610 027 400	Switch Cover	1	-,-	1	10
31	2 610 013 905	mat seal	1	-,-	1	10
651	2 610 958 411	Adjusting Wrench	1	-,-	1	-
810	2 610 013 288	Carbon Brush	1	-,-	1	25

Illustration - Type E

Modifications reserved  
Änderungen vorbehalten  
Modifications réservées  
Salvo modificaciones

F013 MM2 000  
Issue 18.05.09  
Stand

**Fig./Abb. 1**



Information subject to change without further notice.