



**BOSCH**

# Clamp

MM2 | 3 601 K92 910

---

## Table of Content

Spare parts list.....	2
Illustration - Type.....	3

---

**Spare parts list**

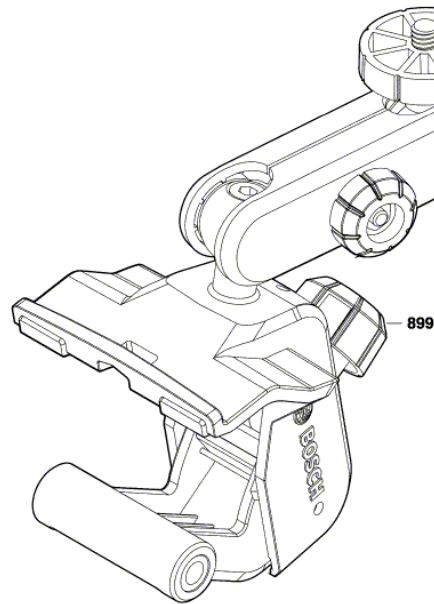
<b>Item</b>	<b>Part Number</b>	<b>Description</b>	<b>Illustration</b>	<b>Price</b>	<b>Quantity</b>	<b>Price Group</b>
899	0 601 092 910	Stand	1	-	1	

\* Prices shown are suggested retail prices

Illustration - Type - E

3 603 F92 200

Stand } 12-12-17  
Issue } **Abb./Fig. 1**



Änderungen vorbehalten  
Modifications reserved  
Modificaciones reservadas  
Salvo modificaciones