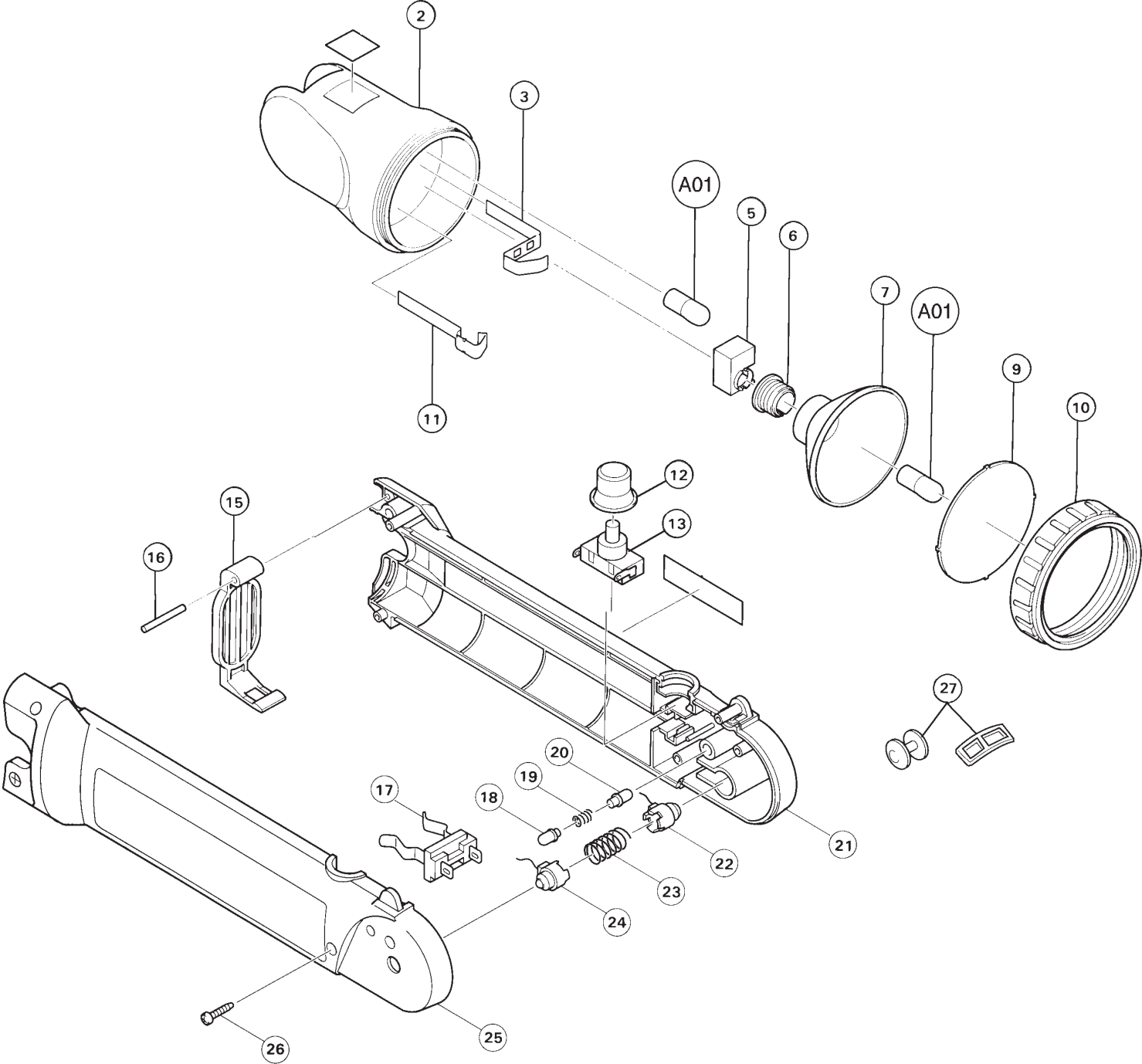




03 - 2010
ML902
9.6V FLASHLIGHT



| Item No | Type | Sub | Part No. | Description | Qty | Unit |
|---------|------|-----|----------|---|-----|------|
| 2 | | | 415760-5 | CASE HEAD | 1 | PC. |
| 3 | | | 654136-3 | BULB CONTACT PLATE A | 1 | PC. |
| 5 | | | 415810-6 | PROTECTOR | 1 | PC. |
| 6 | | | 415855-4 | BULB HOLDER | 1 | PC. |
| 7 | | | 163368-6 | REFLECTOR | 1 | PC. |
| 9 | | | 415866-9 | LENS | 1 | PC. |
| 10 | | | 415807-5 | REFLECTOR RETAINER | 1 | PC. |
| 11 | | | 654137-1 | BULB CONTACT PLATE B | 1 | PC. |
| 12 | | | 421540-9 | COVER | 1 | PC. |
| 13 | | | 651709-3 | SWITCH | 1 | PC. |
| 15 | | | 344549-3 | SET PLATE (STEEL) TYPE 2 | 1 | PC. |
| 16 | | | 256252-3 | PIN (OLD# 256133-1 - N/L/A) | 1 | PC. |
| 17 | | | 643926-9 | BATTERY HOLDER | 1 | PC. |
| 18 | | | 415811-4 | KNOCK SHAFT | 1 | PC. |
| 19 | | | 233143-5 | SPRING | 1 | PC. |
| 20 | | | 415811-4 | KNOCK SHAFT | 1 | PC. |
| 21 | | | 415867-7 | HOUSING (L) | 1 | PC. |
| 22 | | | 632533-3 | PIVOT TERMINAL UNIT L | 1 | PC. |
| 23 | | | 233144-3 | SPRING | 1 | PC. |
| 24 | | | 632524-4 | PIVOT TERMINAL UNIT R | 1 | PC. |
| 25 | | | 415868-5 | HOUSING (R) | 1 | PC. |
| 26 | | | 265869-1 | SCREW | 4 | PC. |
| 27 | 1 | | 415812-2 | HOOK BUTTON (Use with Item No. A02 Type1) - N/L/A | 2 | PC. |
| | 2 | | 345261-8 | HOOK PLATE (Use with Item No. A02 Type2) | 2 | PC. |
| 28 | | | 655000-B | CIGARETTE LIGHTER PLUG | 1 | PC. |

ACCESSORIES

| | | | | | | |
|-----|---|--|----------|--------------------------------------|---|-----|
| A01 | | | 192545-3 | BULB 2PC/SET (OLD# 192546-1 - N/L/A) | 1 | SET |
| A02 | 1 | | 415813-0 | STRAP (Use with Item No.27 Type1) | 1 | PC. |
| | 2 | | 417926-3 | STRAP (Use with Item No.27 Type2) | 1 | PC. |
| A03 | | | 632007-4 | 9.6V NI-CAD BTTRY 9000 | 1 | PC. |
| | | | 192533-0 | 9.6V NI-CAD BTTRY 9002 | 1 | PC. |
| A04 | | | 414938-7 | BATTERY COVER | 1 | PC. |
| A05 | | | DC1414 | CHARGER DC1414 | 1 | PC. |
| | | | DC1804 | CHARGER DC1804 | 1 | PC. |
| | | | DC1822 | AUTOMOTIVE CHARGER DC1822 | 1 | PC. |