

BioClip Kits, Mulch Kits

Spare parts

Ersatzteile

Pièces détachées

Reserve onderdelen

Repuestos

Reservdelar

7 INSTALL MULCH COVER (See Fig. 7)

1. Raise and hold deflector shield in upright position.
2. Hook rear latch into hole on back of mower with hook positioned as shown.
3. Place slot in mulch cover over tab on mower and position plate over mower opening as shown.
4. Hook front latch over latch hook spacer on front of mower.
5. Check to be sure mower opening is completely covered by the mulch cover.



CAUTION: Do not remove deflector shield from mower. Raise and hold shield when attaching mulch cover and allow it to rest on cover while in operation.

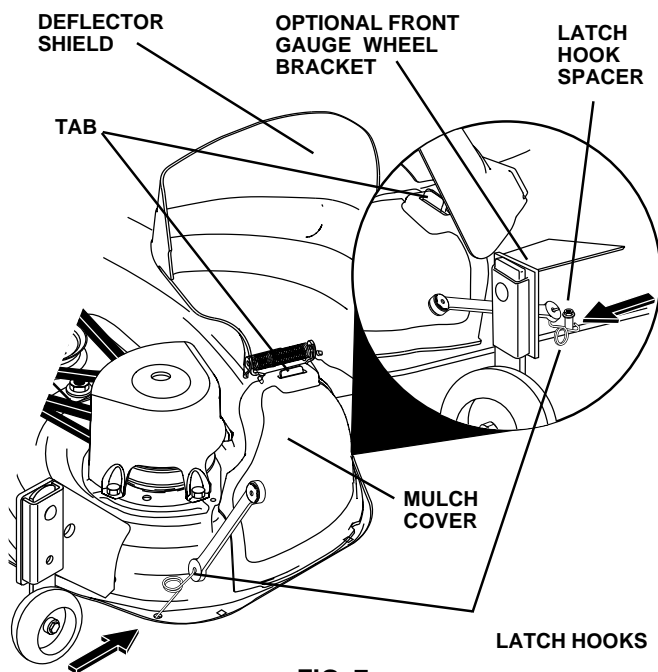


FIG. 7

TO CONVERT TO BAGGING OR DISCHARGING

For best bagging and discharging install the high lift blades.

NOTE: If installed, it is not necessary to remove the mulch baffle.

1. Remove the mulch cover and mulch blades and install high lift blades.
2. Store mulch cover and mulch blades in a safe place. Your mower is now ready for discharging or installation of optional grass catcher accessory.

MULCHING MOWING TIPS

IMPORTANT: FOR BEST PERFORMANCE, KEEP MOWER HOUSING FREE OF BUILT-UP GRASS AND TRASH. CLEAN AFTER EACH USE.

- The special mulch blades will recut the grass clippings many times and reduce them in size so that as they fall onto the lawn they will disperse into the grass and not be noticed. Also, the mulched grass will biodegrade quickly to provide nutrients for the lawn. Always mulch with your highest engine (blade) speed as this will provide the best recutting action of the blades.
- Avoid cutting your lawn when it is wet. Wet grass tends to form clumps and interferes with the mulching action. The best time to mow your lawn is the early afternoon. At this time the grass has dried and the newly cut area will not be exposed to the direct sun.
- For best results, adjust the mower cutting height so that the mower cuts off only the top one-third of the grass blades. For extremely heavy mulching, reduce your width of cut and mow slowly.
- Certain types of grass and grass conditions may require that an area be mulched a second time to completely hide the clippings. When doing a second cut, mow across or perpendicular to the first cut path.
- Change your cutting pattern from week to week. Mow north to south one week then change to east to west the next week. This will help prevent matting and graining of the lawn.

FOR FUTURE REFERENCE AND REPAIR PARTS ORDERING, KEEP THIS INSTRUCTION SHEET WITH YOUR TRACTORS OWNER'S MANUAL

REPAIR PARTS

MODEL NO. MK48A, PRODUCT NO. 954 12 00-96

KEY NO.	PART NO.	DESCRIPTION
1	532 17 39-21	Mulch Blade
2	532 17 68-98	Mulch Cover
3	532 16 07-93	Latch Hook
4	532 12 50-04	Weld Nut
5	819 06 12-16	Washer 3/16 x 3/4
6	810 07 10-00	Washer, Lock #10
7	871 08 10-10	Screw #10 x 5/8
8	532 17 58-19	Mulch Baffle
9	874 78 04-16	Hex Bolt 1/4-20 x 1
10	874 76 04-32	Hex Bolt 1/4-20 x 2
11	873 80 04-00	Lock Nut 1/4-20
12	532 12 12-49	Latch Hook Spacer
13	532 12 66-84	Washer 1/4 x 5/8

