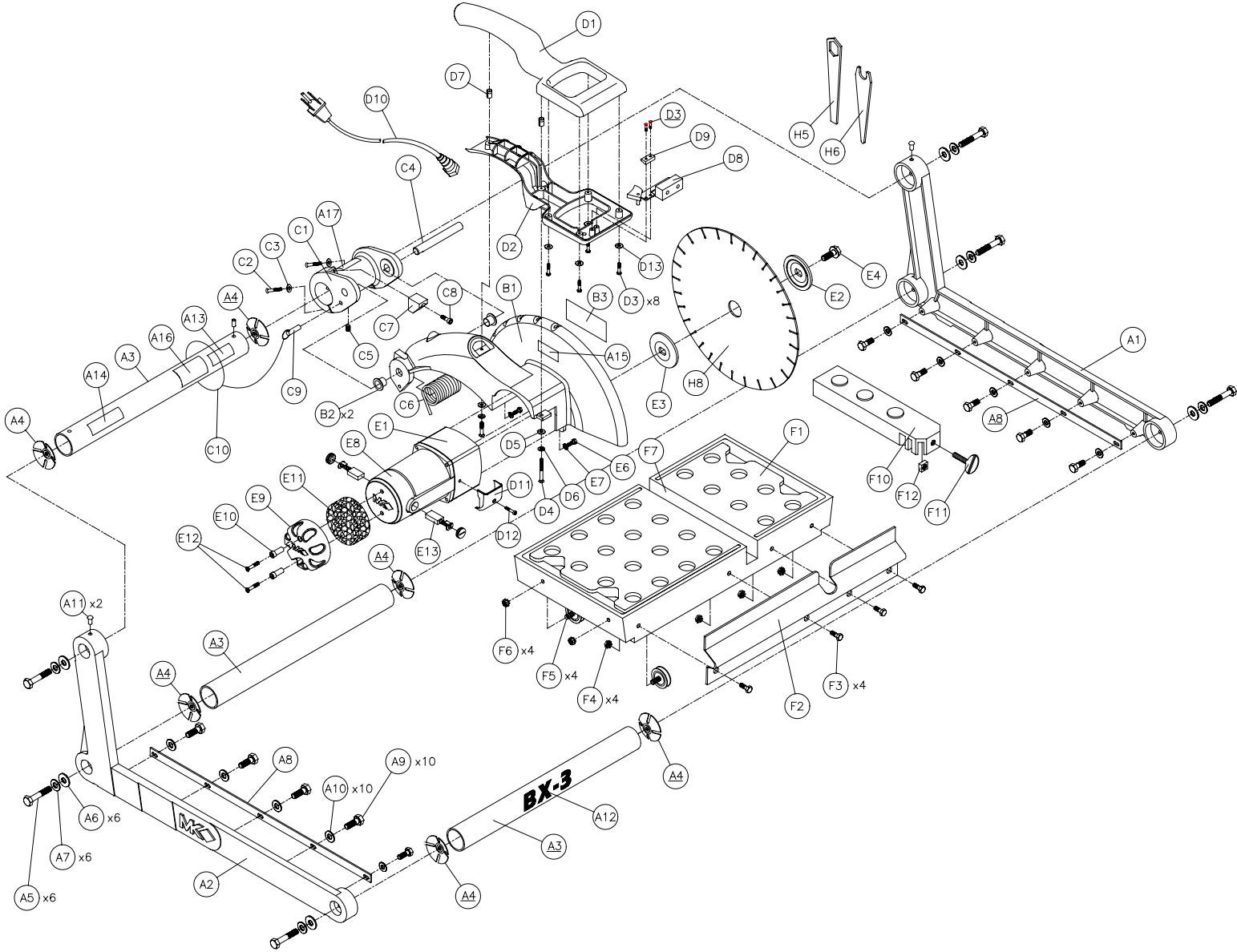


# EXPLODED VIEW AND PARTS LIST

## EXPLODED VIEW:



## EXPLODED VIEW AND PARTS LIST

### PARTS LIST:

Item	Description	Qty	MK p/n
<b>A</b>	<b>Assembly, Frame, Right</b>	<b>1</b>	<b>n/a</b>
A1	Casting, Frame, Right	1	157367
A2	Casting, Frame, Left	1	157369
A3	Support, Horizontal Frame	3	157384
A4	Tube Connector, ¼-20	6	157930
A5	Screw, ¼-20 x 1 ½ Hex Head Cap	6	151914
A6	Washer, ¼ SAE Flat	6	151915
A7	Washer, ¼ Split Lock	6	152591
A8	Strap, Table Guide Rail	2	157383
A9	Screw, ¼-20 x ¾, Hex Head Cap	10	152370
A10	Washer, ¼ Split Lock	10	152591
A11	Drive Stud, Round Head Grooved #16 (¼) x ½	2	158071
A12	Label, Adhesive "BX3"	1	157959
A13	Label, Safety Caution	1	155576
A14	Label, MK USA	1	154334
A15	Tag, Serial, Brick Saw	1	158096
A16	Label, Prop 65	1	154337
A17	Label, Warning, Extension Cord	1	155672
<b>B</b>	<b>Assembly, Arm, Motor Mount</b>	<b>1</b>	<b>n/a</b>
B1	Casting, Arm, Motor Mount	1	157599
B2	Bushing, Nylon Flange	2	157932
B3	Label, Adhesive "Brick Xtreme"	1	157958
<b>C</b>	<b>Assembly, Pivot Clamp</b>	<b>1</b>	<b>n/a</b>
C1	Casting, Pivot Clamp	1	157593
C2	Screw, ¼-20 x 1 ¼ Socket Hd. Cap	2	154683
C3	Washer, ¼ Split Lock	2	152591
C4	Pin, Pivot Ø.625 x 5.6	1	157645
C5	Screw, Set ¼-20 x ¼ Cup Point	1	157528
C6	Spring, Torsion	1	157702
C7	Stop Block	1	158226
C8	Screw, ¼-20 x 5/8, Socket Hd Cap	1	152587
C9	Pin, Detent w/ Pull Ring	1	157933
C10	Lanyard	1	158072
<b>D</b>	<b>Assembly, Handle &amp; Switch</b>	<b>1</b>	<b>n/a</b>
D1	Handle, Upper	1	157874
D2	Handle, Lower	1	157875
D3	Screw, M3.5 x 12mm	8	158156
D4	Screw, ¼-20 x ¾, Socket Hd. Cap	2	152587
D5	Washer, ¼ SAE, Flat	2	151915
D6	Washer, ¼ Split Lock	2	152591
D7	Insert, Expansion, ¼-20 Standard	2	158147
D8	Switch, Trigger	1	157934
D9	Plate, Screw, Switch Mounting	1	157876
D10	Cord, AC Power 120V	1	157935
D11	Cover, Wire	1	157880
D12	Screw, # 6-32 x 1 ¼, Socket Flat Head	1	158160
D13	Washer, #6 Flat SAE	5	158231
<b>E</b>	<b>Assembly, Motor</b>	<b>1</b>	<b>n/a</b>
E1	Motor, AC 115 Volt / 15 Amp, 3500 RPM	1	157801-R
E2	Flange, Outer	1	158105

## EXPLODED VIEW AND PARTS LIST

Item	Description	Qty	MK p/n
E3	Flange, Inner	1	158106
E4	Screw, M10 – 1.5 x 20mm Hex Flange	1	158107
E6	Screw, M6-1 x 20mm Hex Head Cap	4	158158
E7	Washer, M6 Split Lock	4	158159
E8	Cap, Motor	1	157877
E9	Cap, Motor Filter	1	157878
E10	Spacer Pin, Cap Screw	2	157879
E11	Filter Element	1	157729
E12	Screw, #6 x 1 ½, Combo Head Pan, Tapping	2	158157
<b>F</b>	<b>Assembly, Table</b>	<b>1</b>	<b>133082</b>
F1	Casting, Table	1	158144
F2	Stop, Rule	1	134387
F3	Screw, ¼-20 x ¾ Hex Head Cap	4	152370
F4	Nut, ¼-20, Hex w/ External Tooth Washer	4	153941
F5	Wheel, Roller	4	133090
F6	Nut, 5/16-18, Hex w/ External Tooth Washer	4	151051
F7	Wood Strip, Table Insert	1	156427
F8	Screw, #8 x 1 Pan Head Phil.	2	151047
F10	Casting, Squaring Arm	1	231276
F11	Screw, 5/16-18 x 1 ½, Thumb	1	151155
F12	Nut, 5/16-18 Square	1	151156
<b>H</b>	<b>Assembly, Accessory Pack</b>	<b>1</b>	<b>n/a</b>
H5	Wrench, Blade Nut	1	158109
H6	Wrench, Shaft	1	158110
H7	Extra Filter Element	1	157729
H8	Blade, MK-BX10, Dry Cutting 14", Segmented	1	157957
H8-A	Blade, MK-BX30, Dry Cutting 14", Segmented Block	1	157944
	Owner's Manual	1	158168