

MK-377EXP TILE SAW

PARTS LIST

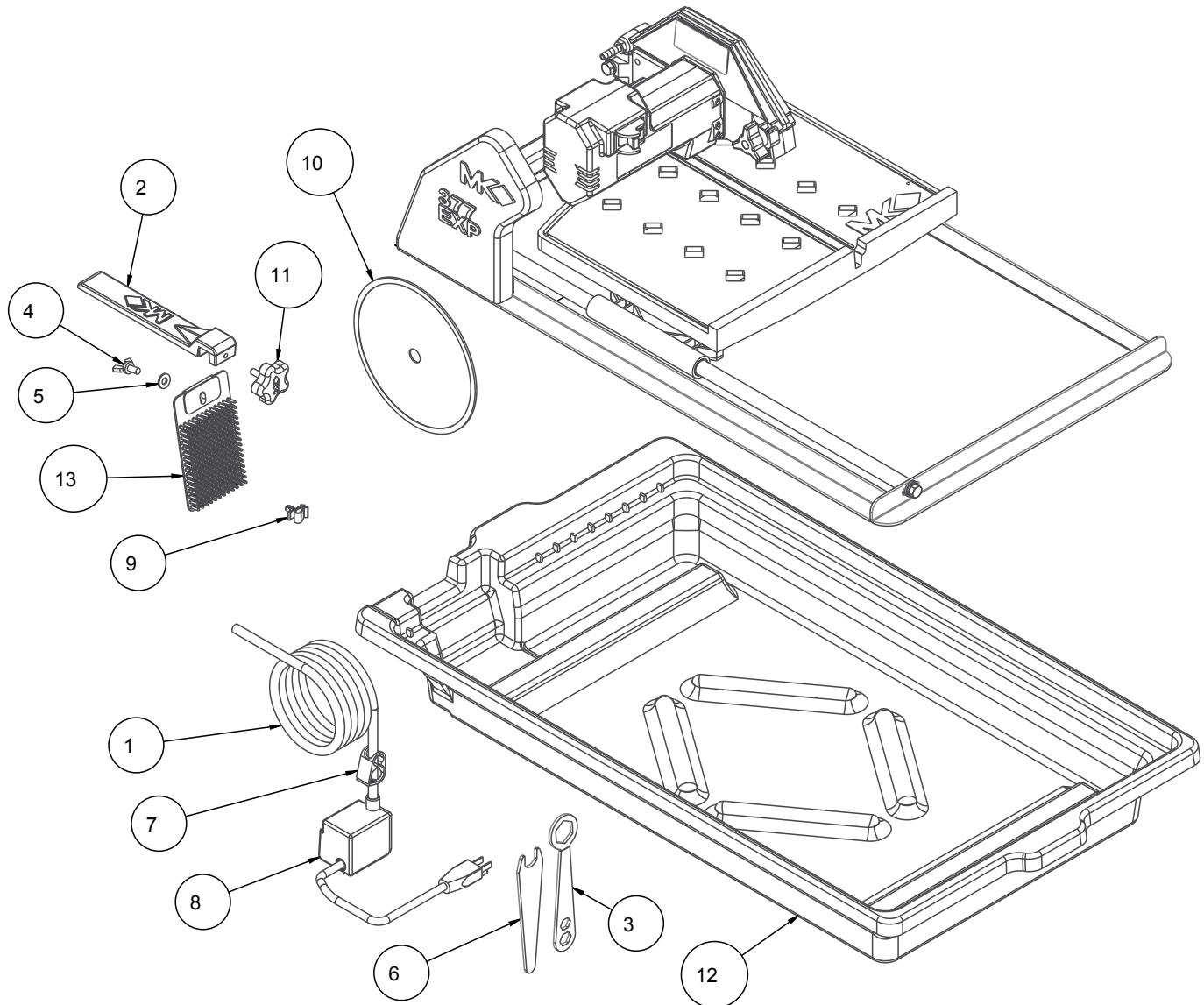


Part# 160028

Revision 207	08.2019
Manual Part No. 160030	

Caution: Read all safety and operating instructions before using this equipment. This parts list **MUST** accompany the equipment at all times.

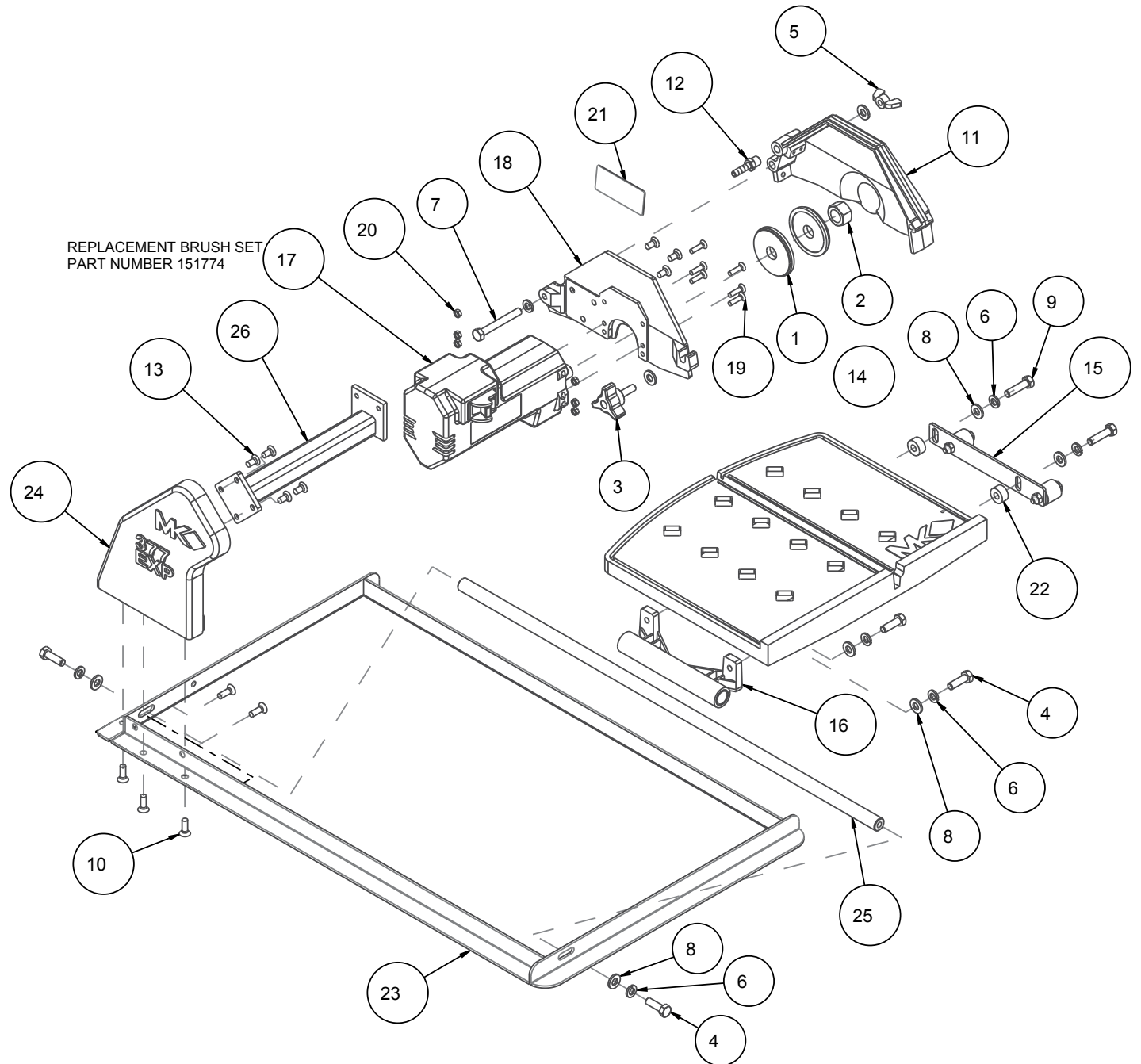
MK-377EXP SAW P/N 160028



MK-377EXP SAW P/N 160028

Item	Description	Part #	Qty
1	HOSE, VINYL, 1/4X3/8 (6.0')	132951	1
2	CASTING, ACC RIP GUIDE-COMP	134551	1
3	WRENCH, TILE SAW NUT 15/16	134684	1
4	SCREW, WING, 1/4-20X1/2	151888	1
5	WASHER, FLAT, SAE, 1/4	151915	1
6	WRENCH, TILES AW, 11/16 OPEN END	153450	1
7	CLAMP, HOSE, 1/4-1/2 FLOW	154394	1
8	PUMP, WATER, 115V 60HZ	155987-VP	1
9	CLIP, CORD 1/4" PUSH MOUNT	157259	1
10	MK-HDTCM WET 7X060X7/8	157913	1
11	KNOB, RUBBER, 1/4-20 X 3/4" LONG	159428-1	1
12	PAN, WATER MK-370EXP/1080	160041	1
13	GUARD, SPLASH	160310	1

MK-377EXP SAW P/N 160028



MK-377EXP SAW P/N 160028

Item	Description	Part #	Qty
1	FLANGE, OUTER, 2-3/8	135830	2
2	NUT, HEX, 5/8-18	135848	1
3	KNOB, DAVIES, 5/16-18 X 1	151681	1
4	SCREW, HEX HD, 5/16-18 X 1	151743	4
5	NUT, WING, NYLK, 5/16-18	151746	1
6	WASHER, LOCK, SPLIT, 5/16	151747	7
7	SCREW, HEX HD, TAP, 5/16-18X2-1/2	151748	1
8	WASHER, FLAT, SAE, 5/16	151754	8
9	SCREW, HEX HD, 5/16-18 X 1-1/4	153950	2
10	SCREW, FLAT HD, 1/4-20X3/4	154657	5
11	CASTING, BLD GRD, 7", COMP	154811	1
12	FITTING, 1/8 MNPT X 1/4 BARB	155809	1
13	SCREW, FLAT HEAD, 1/4-20 X 1/2 PHIL	155812	7
14	TABLE, COMPOSITE, 377EXP	156536	1
15	ASSEMBLY, ROLLER WHEEL	156586	1
16	BEARING, LINEAR, 5/8 X 6, NYLON	157126	1
17	MTR, 5.0 AMP 115V 50/60HZ	157226-G	1
18	CASTING, 170, MOTOR MOUNT, COMP	157403	1
19	SCREW, FLAT HD, M5-.8X16MM	157404	6
20	NUT, HEX, M5-.8	157405	6
21	TAG, SERIAL NUMBER, BLANK	157500-RW	1
22	SPACER, 5/16 X 3/4 X3/8	166782	2
23	WELDMENT, FRAME	167449	1
24	CASTING, POST, COMP	172785	1
25	BAR, GUIDEØ 5/8 X 26.44L	172786	1
26	ARM, CUTTING HEAD, 377EXP	172787	1