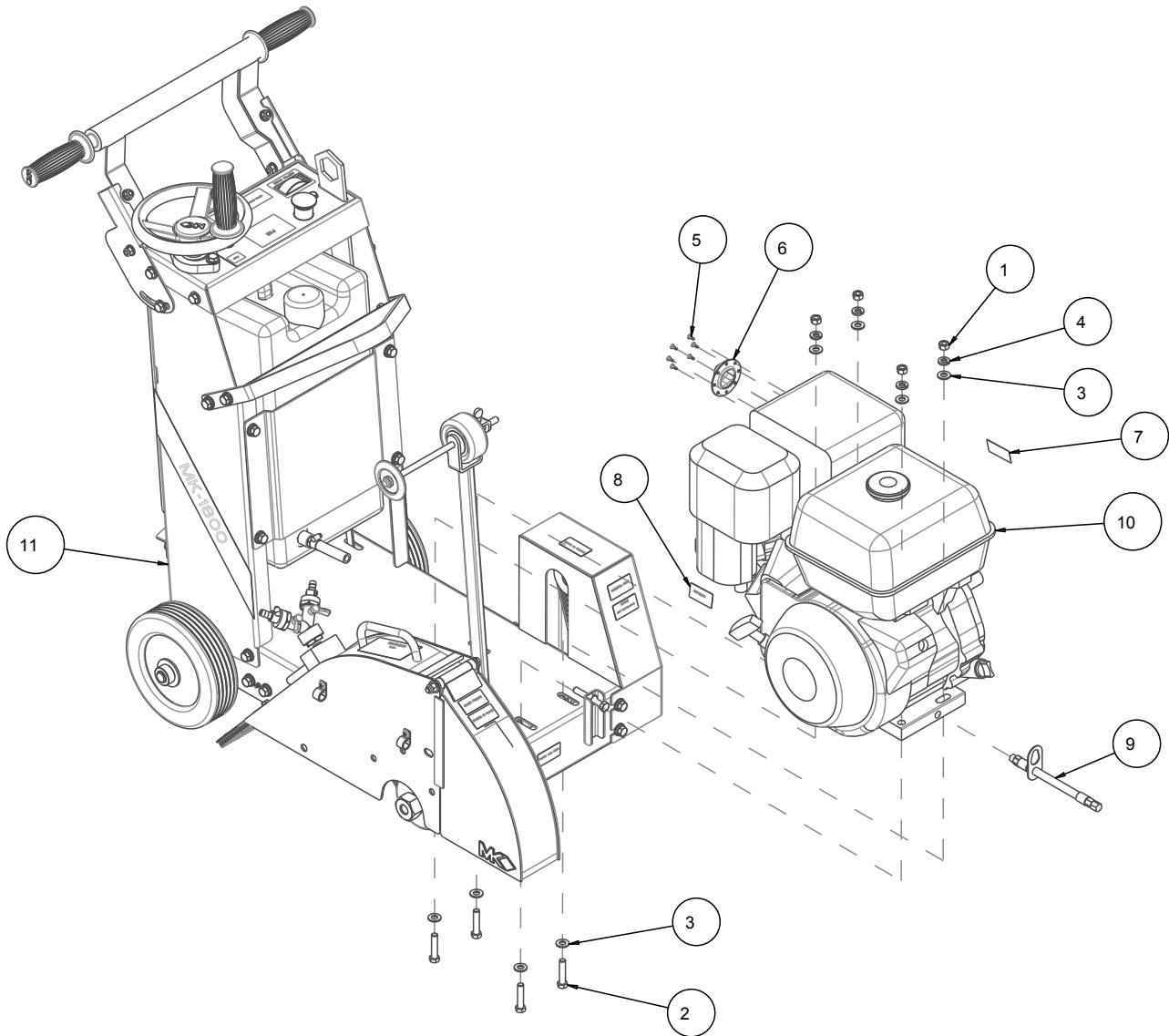


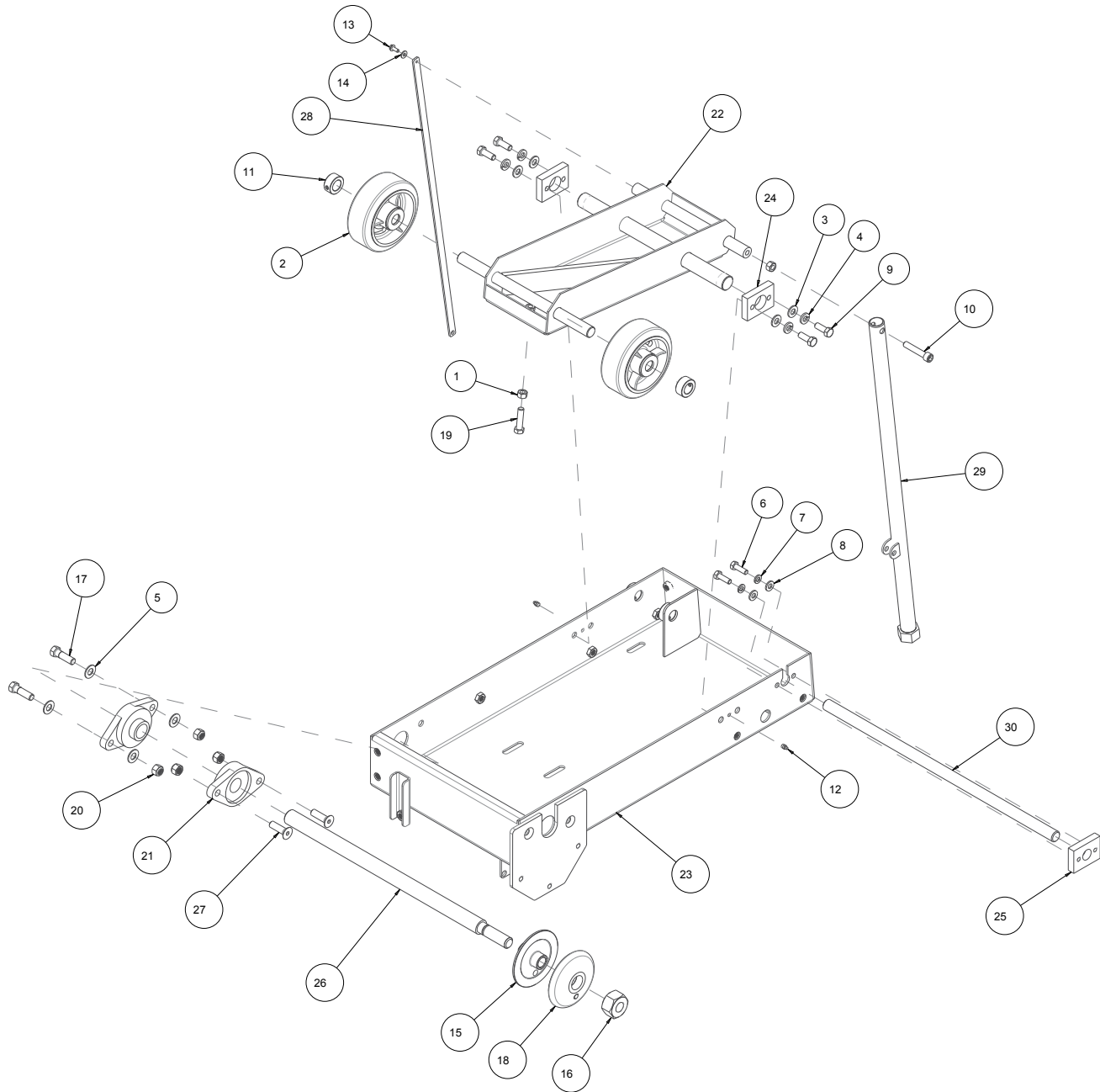
MK-1813H CONCRETE SAW - P/N 172739



MK-1813H CONCRETE SAW - P/N 172739

ITEM NO.	DESCRIPTION	PART #	QTY.
1	NUT, HEX, 3/8-16	101188	4
2	SCREW, HEX HD, 3/8-16 X 1-3/4	150920	4
3	WASHER, FLAT, SAE, 3/8	150923	8
4	WASHER, LOCK, SPLIT, 3/8	150925	4
5	SCREW, #6-32 X 3/8 PAN HEAD SELF TAPPING	153466	6
6	DEFLECTOR, 8/11/13HP HONDA	155375	1
7	LABEL, CAUTION, HOT SURFACE	155578	1
8	LABEL, WARNING, REFUELING	155580	1
9	ASSY, OIL DRAIN, 12MM	157577-02	1
10	ENGINE, HONDA GX390 W/CYC	169260	1
11	ASSY, LESS ENGINE, MK-1813	172811	1

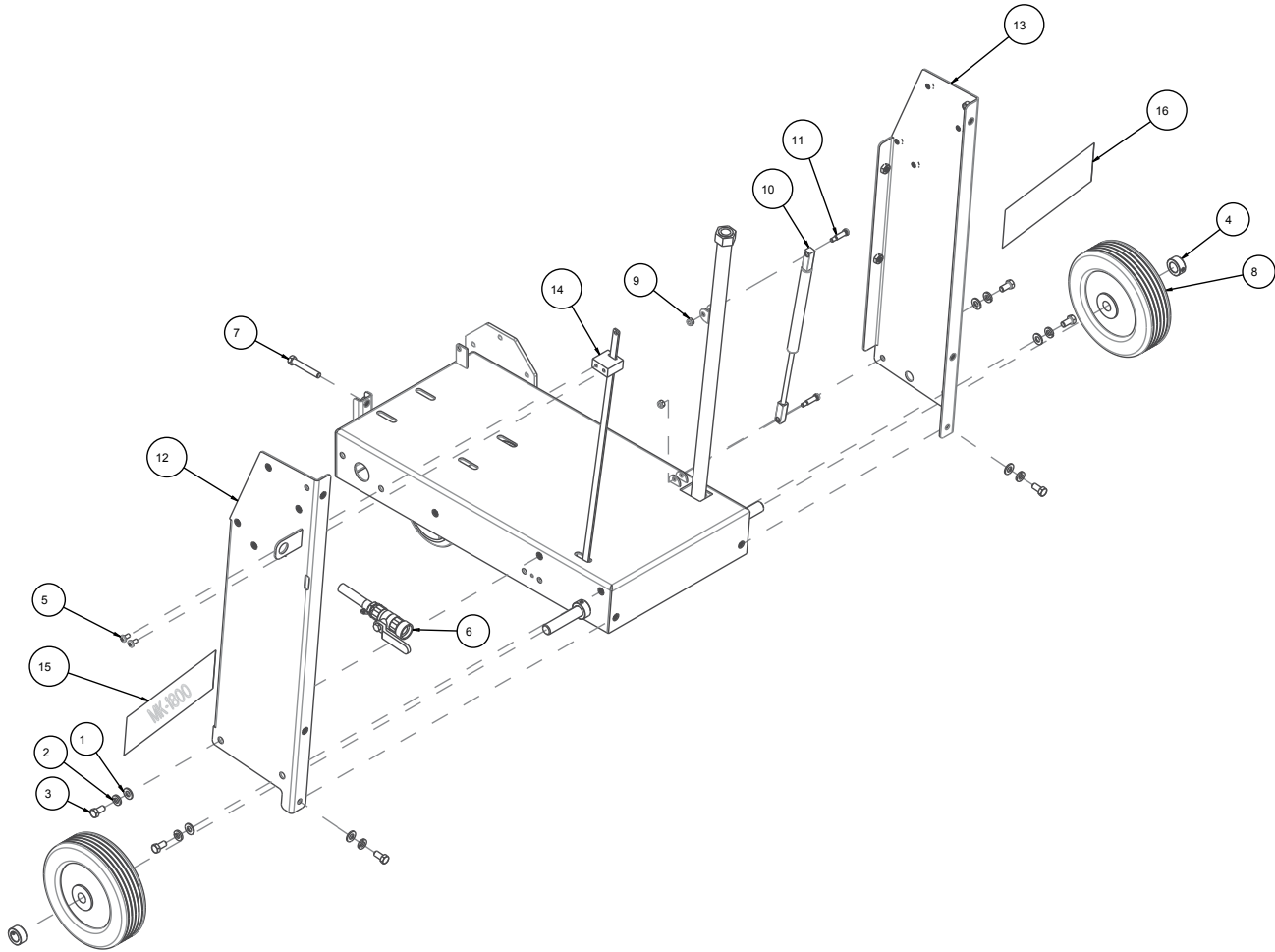
MK-1813 ASSY, LESS ENGINE, MK-1813 - P/N 172811



MK-1813 ASSY, LESS ENGINE, MK-1813 - P/N 172811

ITEM NO.	DESCRIPTION	PART #	QTY.
1	NUT, HEX, 3/8-16	101188	2
2	WHEEL, FRONT 5" X2"W	138537	2
3	WASHER, FLAT, SAE, 3/8	150923	4
4	WASHER, LOCK, SPLIT, 3/8	150925	4
5	WASHER, FLAT 7/16 SAE	151050	4
6	SCREW, HEX HD, 5/16-18 X 1	151743	2
7	WASHER, LOCK, SPLIT, 5/16	151747	2
8	WASHER, FLAT, SAE, 5/16	151754	2
9	SCREW, HEX HD CAP, 3/8-16 X 1	152507	4
10	SCREW, SOC HD, CAP, 3/8-16 X 2	153643	1
11	COLLAR, SET, 3/4"	153814	2
12	FITTING, 1/4-28 GREASE	153852	2
13	SCREW, HEX HD FL 10-24 X 5/16	154172	1
14	WASHER, FLAT, SAE, #10	154369	1
15	FLANGE, 4/0 X 3/4-16LH INNER	155068	1
16	NUT, BLDSHFT, LH, 3/4-16	155069	1
17	SCREW, 7/16-14 X 1-1/2 HEX HEAD CAP	155155	2
18	ASSY, OUTER FLANGE, 4"	155451	1
19	SCREW, HEX HEAD 3/8-16 X 1-1/2 LG.	156656	1
20	NUT, 7/16-14 NYLOK	161213	4
21	BEARING, 1" 2 BOLT FLANGE	168612	2
22	WELDMENT, TRUCK	172740	1
23	WELDMENT, FRAME	172741	1
24	BLOCK, TRUCK MOUNT	172751	2
25	BLOCK, REAR AXLE	172752	1
26	SHAFT, BLADE	172753	1
27	SCREW, FLAT HD, ALN. 7/16-14 X 1-1/2	172802	2
28	BAR, DEPTH INDICATOR	172808	1
29	LINKAGE, DEPTH FEED	172814	1
30	REAR AXLE	172816	1

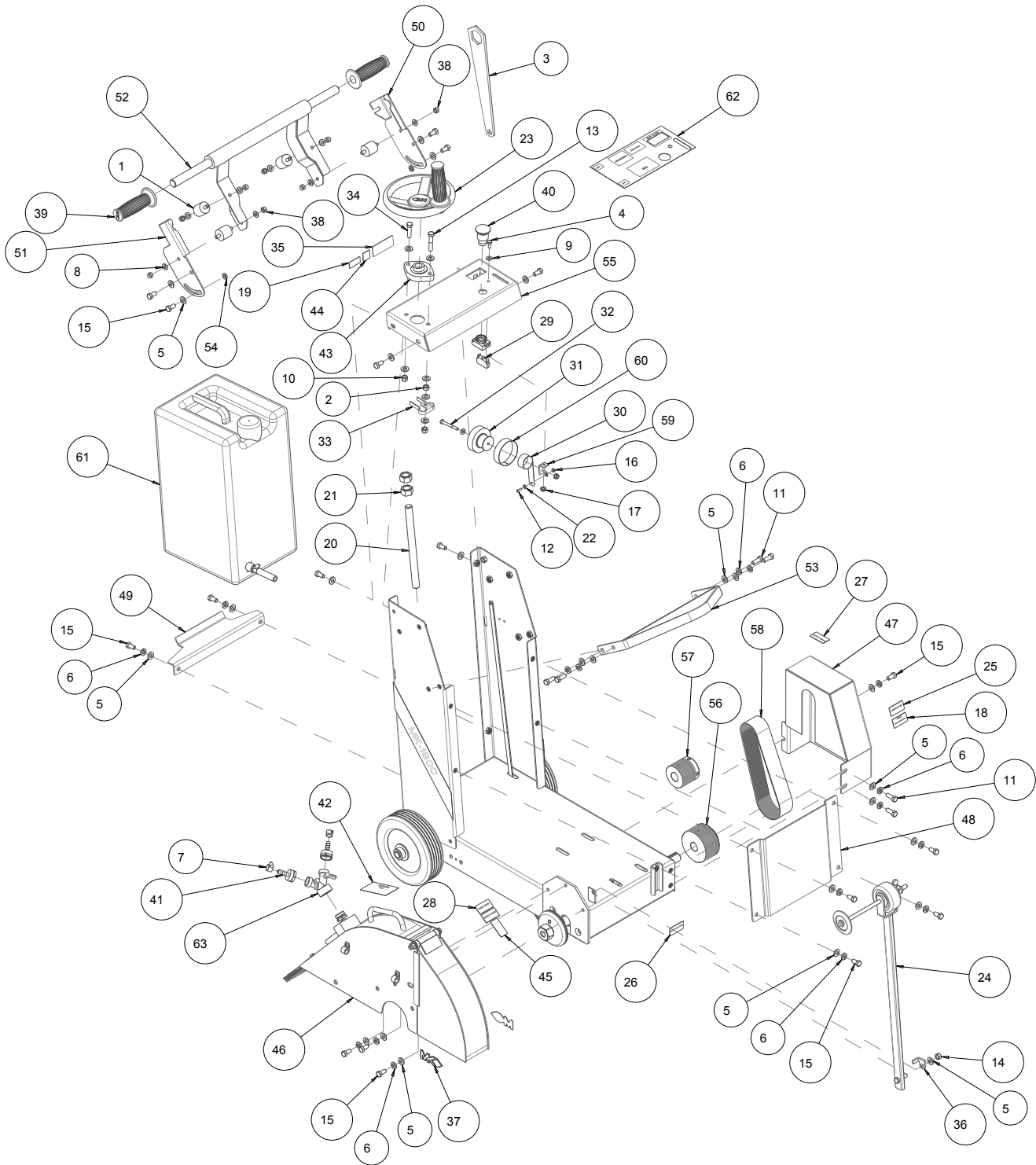
MK-1813 ASSY, LESS ENGINE, MK-1813 - P/N 172811



MK-1813 ASSY, LESS ENGINE, MK-1813 - P/N 172811

ITEM NO.	DESCRIPTION	PART #	QTY.
1	WASHER, FLAT, SAE, 3/8	150923	6
2	WASHER, LOCK, SPLIT, 3/8	150925	6
3	SCREW, HEX, 3/8-16 X 3/4	153527	6
4	COLLAR, SET, 3/4"	153814	2
5	SCREW, PAN HD, CAP, 1/4-20 X 1/2	155452	2
6	ASSY, WATER VALVE	155458	1
7	BOLT, 3/8-16 X 2-1/2 HEX HEAD TAP	155589	1
8	WHEEL, REAR 8"	155986	2
9	NUT, HEX, NYLK, 1/4-20	159857	2
10	SPRING, GAS, 600N W/END FITTINGS	160696-MK	1
11	SCREW, SHOULDER, 5/16 X 7/8	160726	2
12	WELDMENT, SIDE PANEL, LEFT	172742	1
13	WELDMENT, SIDE PANEL, RIGHT	172743	1
14	GUIDE BLOCK, DEPTH INDICATOR	172809	1
15	LABEL, SIDE PANEL, LEFT	172810-1	1
16	LABEL, SIDE PANEL, RIGHT	172810-2	1

MK-1813 ASSY, LESS ENGINE, MK-1813 - P/N 172811



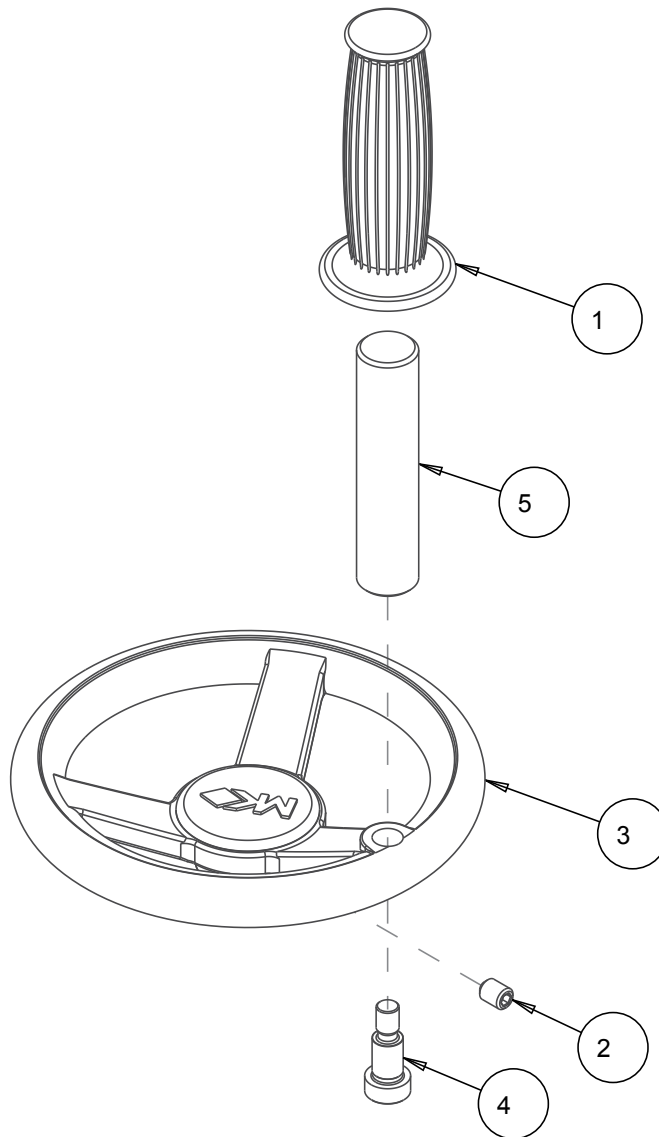
MK-1813 ASSY, LESS ENGINE, MK-1813 - P/N 172811

ITEM NO.	DESCRIPTION	PART #	QTY.
1	SHOCK ABSORBR 60 NATURAL RUBBE	06-505-102	4
2	NUT, HEX, 3/8-16	101188	1
3	WRENCH, BOX END, 1-1/2 X 9/16	137976	2
4	SCREW, HEX HEAD, 1/4-20 X 5/8	150404	1
5	WASHER, FLAT, SAE, 3/8	150923	31
6	WASHER, LOCK, SPLIT, 3/8	150925	16
7	CLAMP, HOSE, 5/8	151198	2
8	WASHER, FLAT, SAE, 5/16	151754	8
9	WASHER, FLAT, SAE, 1/4	151915	2
10	NUT, HEX, NYLK, 3/8-16	152505	2
11	SCREW, HEX HD CAP, 3/8-16 X 1	152507	6
12	SCREW, RND HD, #8-32X1/2	152517	1
13	SCREW, HEX HD, CAP, 3/8-16 X 2	153485	1
14	NUT, 3/8-16 HEX CENTERLOCK	153522	1
15	SCREW, HEX, 3/8-16 X 3/4	153527	18
16	NUT, HEX, 8-32	153549	1
17	NUT, HEX, TW, 1/4-20	153941	2
18	LABEL, NOTICE, OVERTENSION	154399	1
19	LABEL, INFORMATION ON SERVICE	155038	1
20	STUD, 3/4-10 X 10"	155062	1
21	NUT, 3/4-10 HEX	155063	2
22	WASHER, FLAT, SAE, #8	155454	2
23	ASSY, CRANK WHEEL, 3/4-10	155457	1
24	ASSY, POINTER ARM	155568	1
25	LABEL, CAUTION, DISCONNECT SPRKPLUG	155579	1
26	LABEL, CAUTION, HANDS AND FEET	155585	1
27	LABEL, CAUTION, GUARDS IN PLACE	155587	2
28	LABEL, WARNING, BLADE FAILURE	155588	1
29	CONTACTS, NC	156204	1
30	SPRING, DEPTH GAUGE	156605	1
31	SPOOL, 2.75 DIA DEPTH INDICATOR	156606	1
32	SCREW, HEX HD, CAP, 1/4-20X2-1/4	156607	1
33	SPRING, DETENT	156609	1
34	SCREW, HEX HEAD 3/8-16 X 1-1/2 LG.	156656	1
35	TAG, SERIAL NUMBER, BLANK	157500-RW	1
36	CLIP, STOP	157837	1
37	LOGO, MK ADHESIVE	157914	2
38	NUT, HEX, NYLK, 5/16-18	158289	8
39	GRIP, HANDLE 7/8 ID	158608	2
40	ASSY, SWITCH BUTTON, GAS	162080	1
41	FITTING, 3/4 X 11.5 FNH X 3/8 BARDB	163991	2

MK-1813 ASSY, LESS ENGINE, MK-1813 - P/N 172811

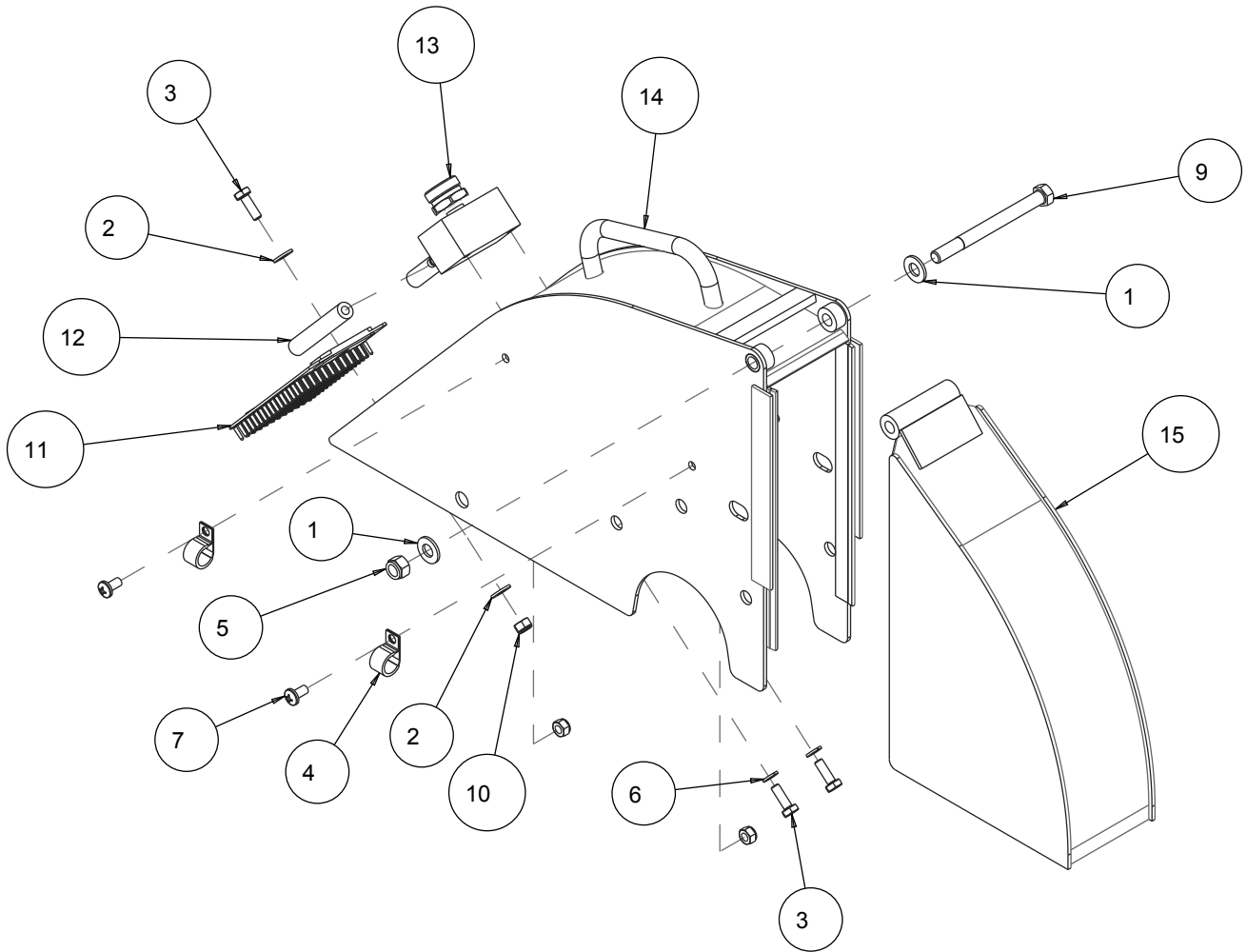
ITEM NO.	DESCRIPTION	PART #	QTY.
42	LABEL, WARNING, SILICA, PROP 65	164202	1
43	BEARING, FLANGE, 3/4 ID, FD204	165971	1
44	LABEL, QR CODE	170480	1
45	LABEL, BLADE ROTATION	170773	1
46	ASSY, BLD GRD, BOLT-ON, 18"	170830-18	1
47	WELDMENT, BELT GUARD	172744	1
48	FRONT PANEL	172745	1
49	PLATE, WATER TANK	172746	1
50	ARM, LEFT	172747	1
51	ARM, RIGHT	172748	1
52	WELDMENT, HANDLEBAR	172749	1
53	LIFTING BAIL	172750	1
54	SHIM, 3/8 X 5/8 X .125 THK	172756	2
55	CONSOLE	172757	1
56	PULLEY, 20J36 X 1.0 BORE	172803	1
57	PULLEY, 20J26 X 1.0 BORE	172804	1
58	BELT, 20J260	172805	1
59	BRACKET, DIAL	172806	1
60	LABEL, DEPTH INDICATOR	172813	1
61	ASSY, WATER TANK	172825	1
62	LABEL, CONSOLE	172826	1
63	FITTING, WYE VALVE, GRDN HOSE	172827	1

ASSY, CRANK WHEEL, 3/4-10 - P/N 155457



ITEM NO.	DESCRIPTION	PART #	QTY.
1	GRIP, HANDLE, 1.0 ID	150842	1
2	SCREW, SET, SOC, CUPT, 3/8-16 X 1/2	153710	1
3	CRANK WHEEL, 3/4-10-COMP	155156	1
4	SCREW, SHLDR, SOC HD, 1/2X 3/4	156177	1
5	HANDLE, CRANK WHEEL	156236	1

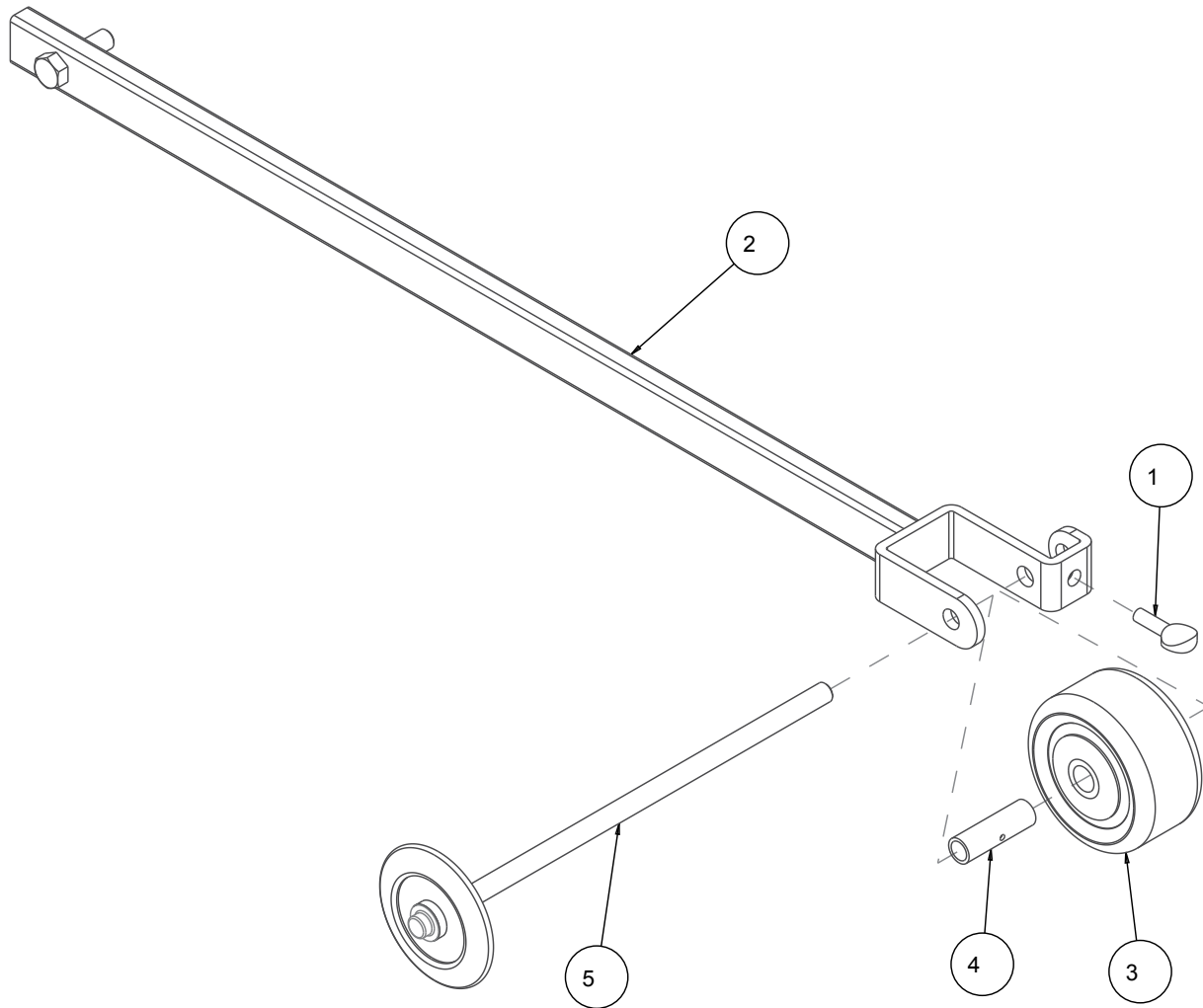
ASSY, BLADE GUARD, BOLT-ON, 18" - P/N 170830-18



ASSY, BLADE GUARD, BOLT-ON, 18" - P/N 170830-18

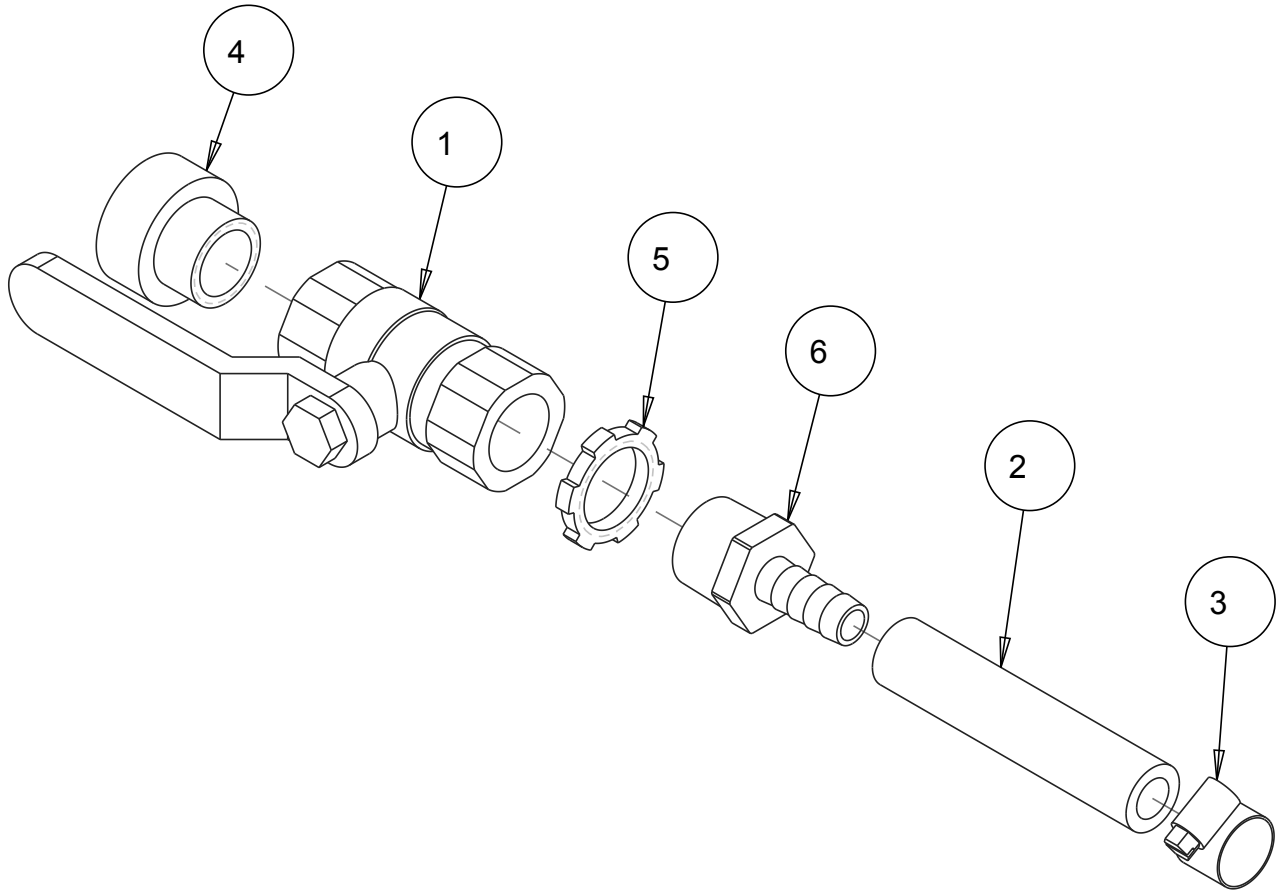
ITEM NO.	DESCRIPTION	PART #	QTY.
1	WASHER, FLAT, SAE, 3/8	150923	2
2	WASHER, FLAT, SAE, 1/4	151915	2
3	SCREW, HEX HD, 1/4-20 X 3/4	152370	3
4	CLAMP, 1/2 CUSHION LOOP	152471	2
5	NUT, HEX, NYLK, 3/8-16	152505	1
6	WASHER, LOCK, SPLIT, 1/4	152591	2
7	SCREW, PAN HD, CAP, 1/4-20 X 1/2	155452	2
8	TIE, NYLON CABLE, 1/8 X 4, BLACK	158528	4
9	SCREW, HEX HD, 3/8-16X4-1/4	158604	1
10	NUT, HEX, NYLK, 1/4-20	159857	3
11	GUARD, SPLASH	160310	1
12	HOSE, VINYL, 1/4 X 1/2 (24"L)	167620	2
13	ASSY, WATER MANIFOLD, 2T	167624	1
14	GUARD, BLD, REAR, BOLT-ON, 18"	170828-18	1
15	GUARD, BLD, FRNT, BOLT-ON, 18"	170829-18	1

ASSY, POINTER ARM - P/N 155568



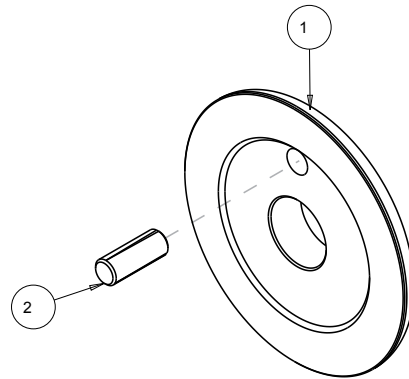
ITEM NO.	DESCRIPTION	PART #	QTY.
1	SCREW, THUMB 1/4-20 X 3/4	150991	1
2	ARM, POINTER	155056	1
3	WHEEL, POINTER, 3"	155066	1
4	BUSHING, 3/8ID X 1-5/8L	155153	1
5	ASSY, POINTER WHEEL	165238	1

ASSY, WATER VALVE - P/N 155458



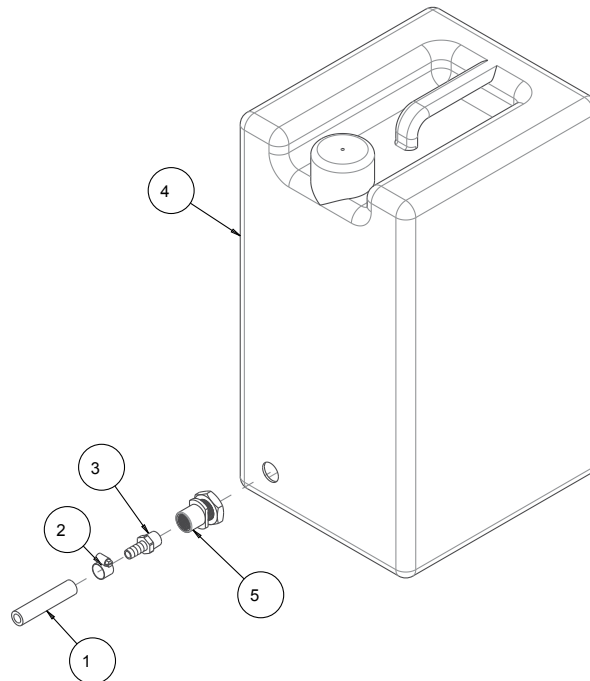
ITEM NO.	DESCRIPTION	PART #	QTY.
1	VALVE, BALL 1/2"	150843	1
2	HOSE, 3/8 X 5/8 VINYL, 30"	150845	1
3	CLAMP, HOSE, 5/8	151198	1
4	FITTING, 1/2 MNPT X 3/4 FNH	151322	1
5	NUT, LOCK STEEL 1/2" NPT	152729	1
6	FITTING, 1/2 MNPT X 3/8 BARB	153653	1

ASSY, OUTER FLANGE, 4" - P/N 155451



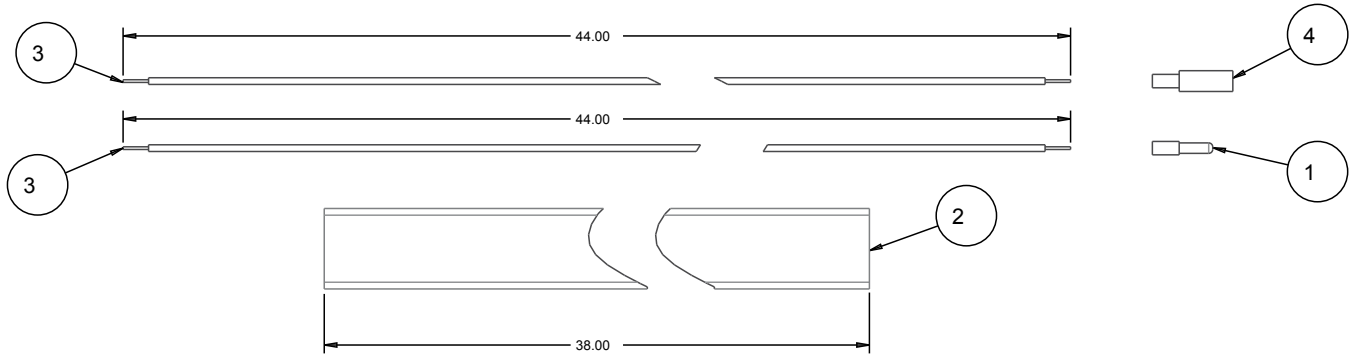
ITEM NO.	DESCRIPTION	PART #	QTY.
1	FLANGE, OUTER	150732	1
2	PIN, GROOVE, TYPE "A", 3/8 X 1	155207	1

ASSY, WATER TANK - P/N 172825



ITEM NO.	DESCRIPTION	PART #	QTY.
1	HOSE, 3/8 X 5/8 VINYL, 18"	150845	1
2	CLAMP, HOSE, 5/8	151198	1
3	FITTING, 3/8 MNPT X 3/8 BARB	152076	1
4	TANK, WATER-COMP	172755	1
5	FITTING, 3/8FNPT X BULKHEAD, PLAS	172807	1

MK-1813 CONCRETE SAW WIRE HARNESS, HONDA - P/N 1572812



ITEM NO.	DESCRIPTION	PART #	QTY.
1	TERMINAL, 22-18 X .156 BLLT M PI	158792	1
2	TUBING, HEAT SHRINK, 3/8ID, BLK (38")	167351	1
3	WIRE, 1015, 18GA, RED (44")	169418	2
4	TERMINAL, 22-18 X .156 BLLT F FI	170927	1