

# MIIIFS

FLOORING STAPLER  
 GRAPADORA DE PLSOS  
 AGRAFEUSE DE PLANCHER

40-50 IN-LBF  
 OF TORQUE  
 (46-58 CM-KG)  
 4 PLACES

35-45 IN-LBF  
 OF TORQUE  
 (40-52 CM-KG)  
 3 PLACES

40-50 IN-LBF  
 OF TORQUE  
 (46-58 CM-KG)  
 4 PLACES

180-180 IN-LBF  
 OF TORQUE  
 (184-208 CM-KG)  
 1 PLACES

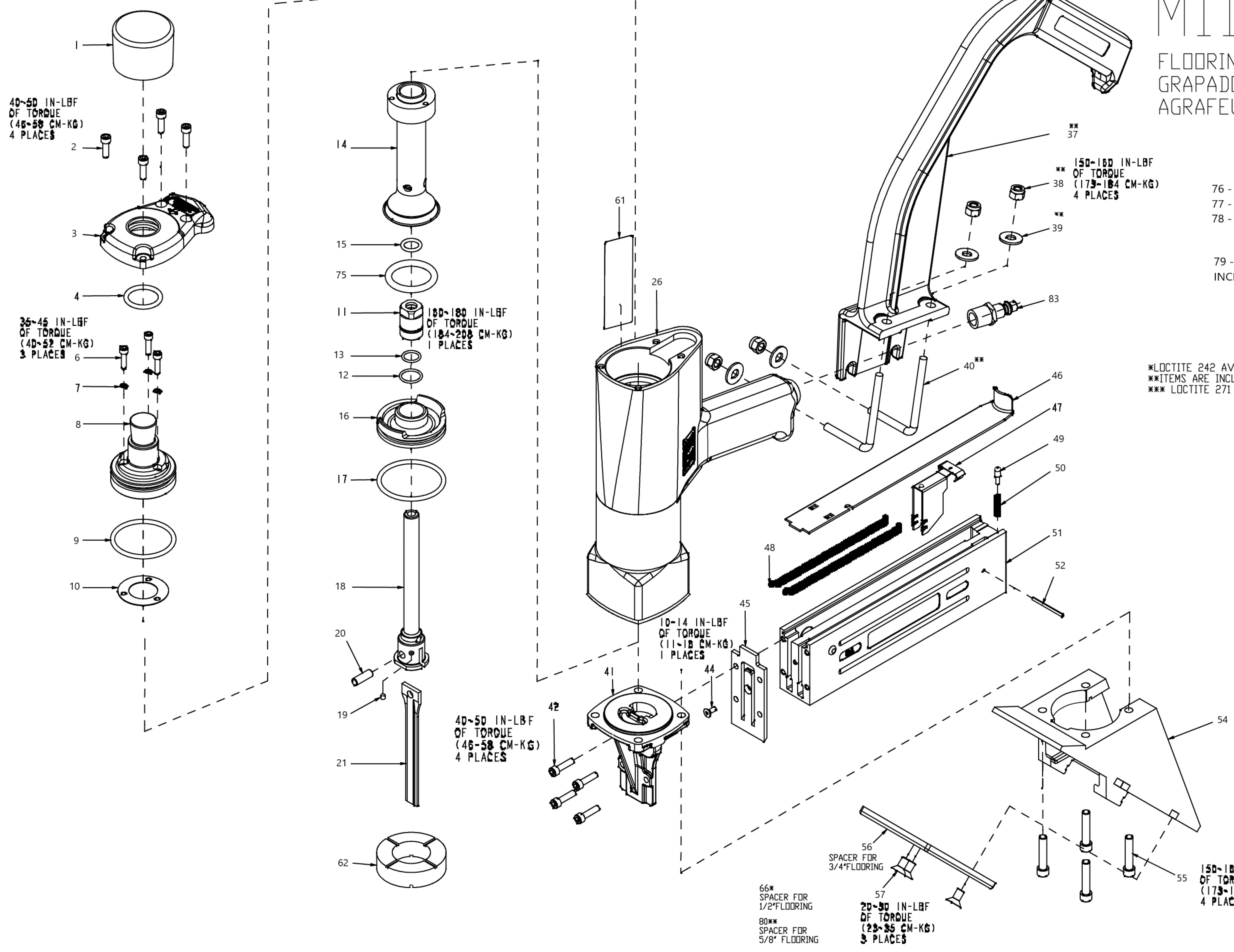
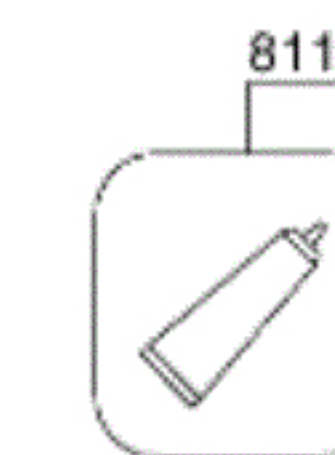
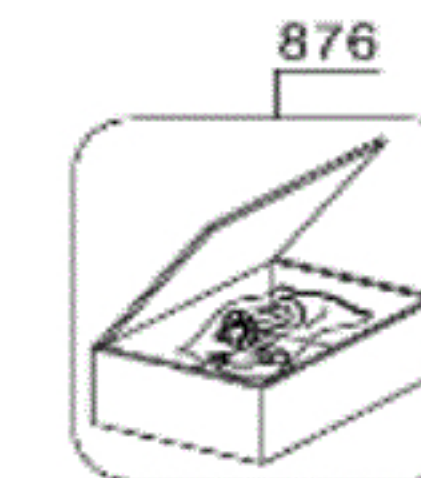
10-14 IN-LBF  
 OF TORQUE  
 (11-15 CM-KG)  
 1 PLACES

\*\* 150-180 IN-LBF  
 OF TORQUE  
 (173-184 CM-KG)  
 4 PLACES

76 - PREFINISHED FLOOR KIT  
 77 - Mallet  
 78 - REPLACEMENT MALLET FACE

79 - HARDWARE KIT  
 INCLUDES 38, 39, 40, 66, 80

\*LOCTITE 242 AVAILABLE AS PART #851385  
 \*\*ITEMS ARE INCLUDED WITH TOOL, NOT INSTALLED  
 \*\*\* LOCTITE 271 AVAILABLE PART #851325.



66\* SPACER FOR  
 1/2" FLOORING  
 80\*\* SPACER FOR  
 5/8" FLOORING

56 SPACER FOR  
 3/4" FLOORING  
 57 20-30 IN-LBF  
 OF TORQUE  
 (23-35 CM-KG)  
 3 PLACES

150-180 IN-LBF  
 OF TORQUE  
 (173-184 CM-KG)  
 4 PLACES