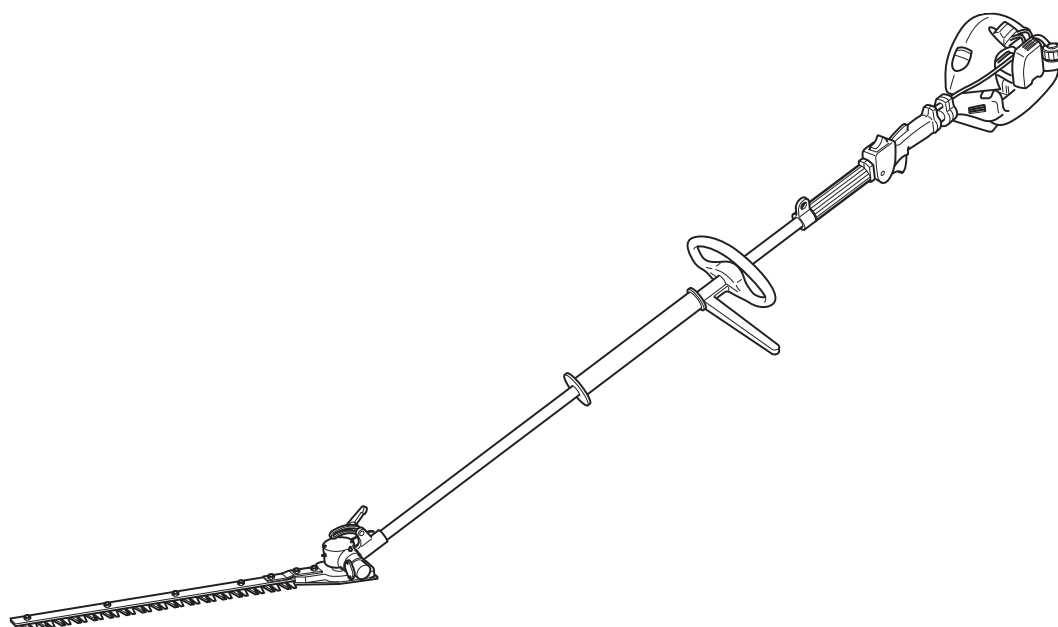


Spare Parts List

2006-03



MH-2556

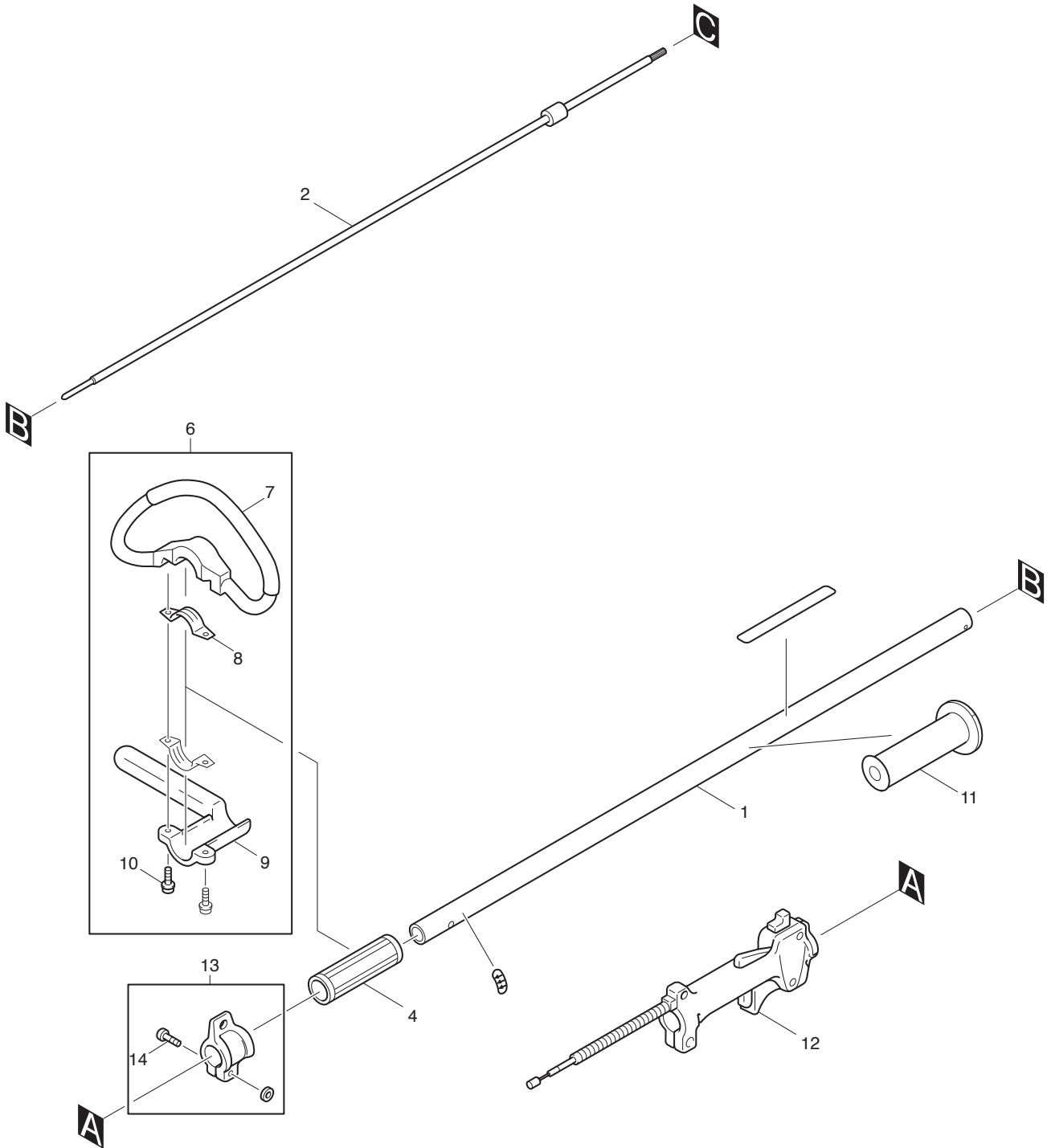
IMPORTANT! - To assure product SAFETY and RELIABILITY, repairs, maintenance or adjustments should be performed by DOLMAR Service Centers, or other qualified service organisations. Always use DOLMAR replacement parts.

DOLMAR



A member of the *Makita* Group

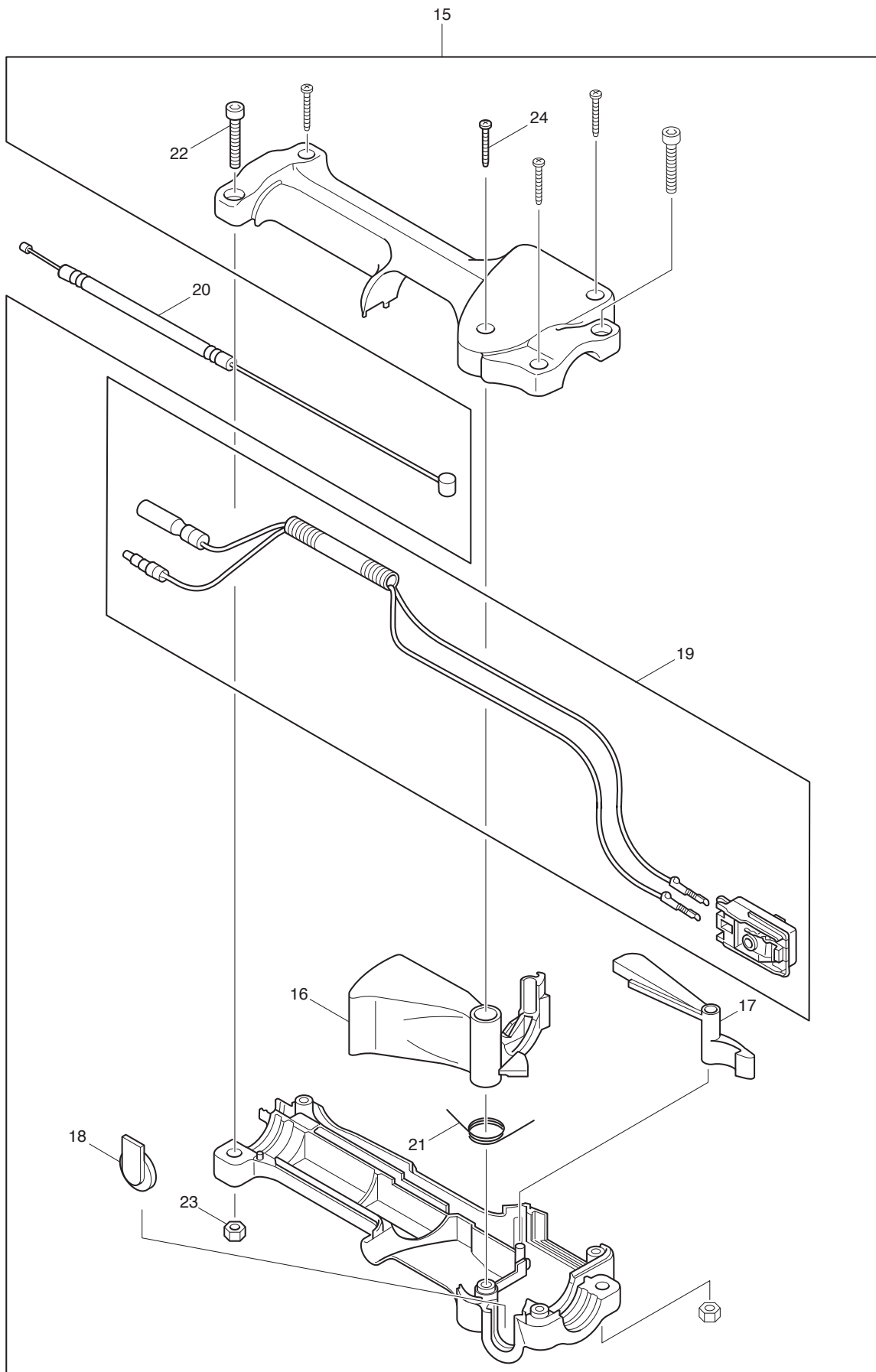
995 700 268 (GB)



MH-2556



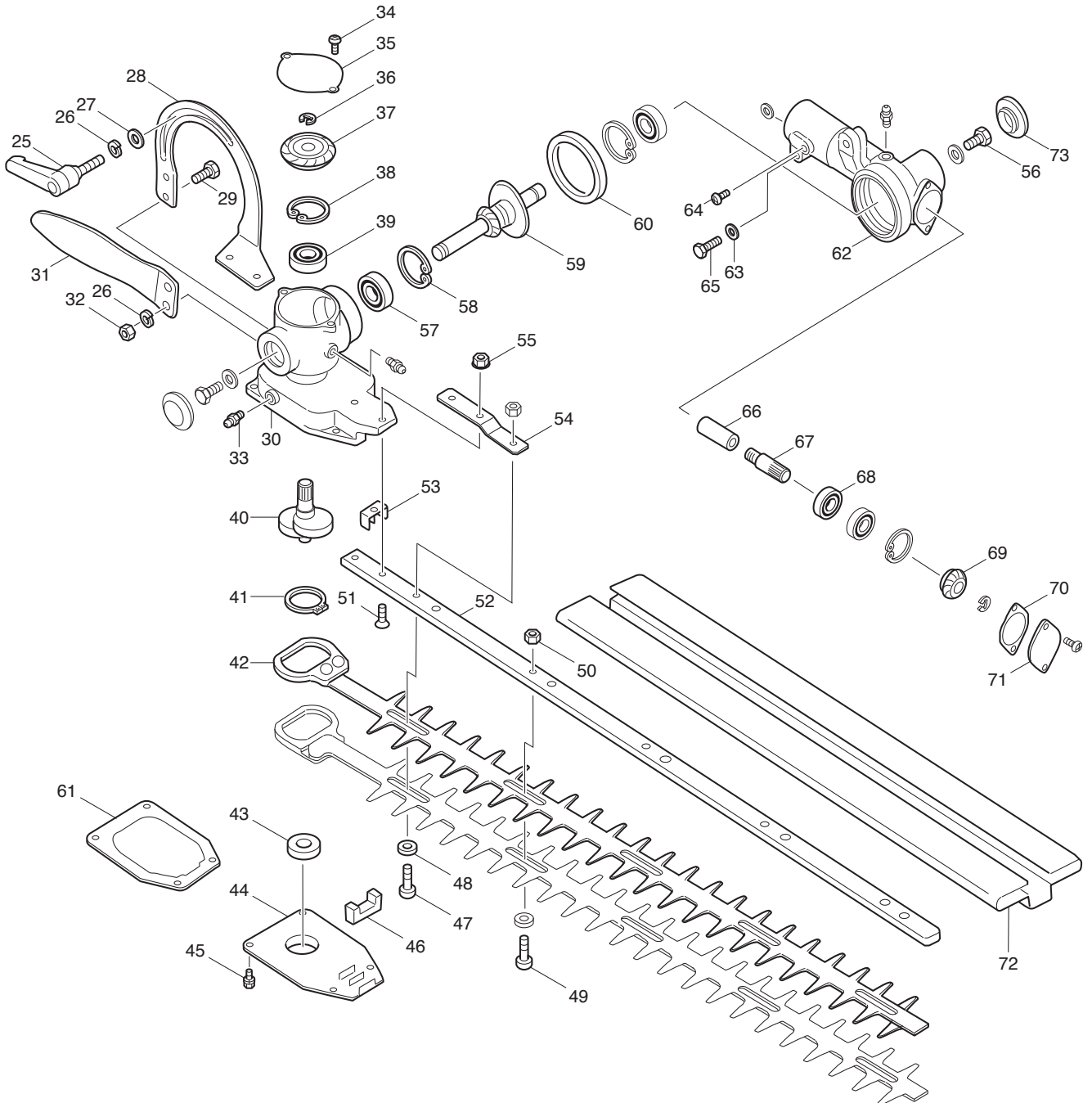
| Page | Pos. | MH-2556 | Part No. | Notes | Description | Specifications |
|------|------|---------|-------------|-------|---------------------|----------------|
| 1 | 1 | 1 | 388 101 500 | | SHAFT PIPE COMPLETE | |
| 1 | 2 | 1 | 367 150 630 | | SHAFT | |
| 1 | 4 | 1 | 388 150 150 | | SPACER | |
| 1 | 6 | 1 | 367 401 400 | | HANDLE COMPLETE | INC. 7-10 |
| 1 | 7 | 1 | 367 400 401 | | LOOP HANDLE | |
| 1 | 8 | 2 | 367 401 401 | | GUARD STAY | |
| 1 | 9 | 1 | 367 400 402 | | LOOP HANDLE COVER | |
| 1 | 10 | 2 | 367 400 404 | | SOCKET HEAD BOLT | M6X18 |
| 1 | 11 | 1 | 367 450 380 | | GRIP | |
| 1 | 12 | 1 | 368 500 100 | | CONTROL LEVER ASSY | |
| 1 | 13 | 1 | 367 401 900 | | HANGER ASSY | INC. 14 |
| 1 | 14 | 1 | 367 360 520 | | SCREW & WASHER ASSY | |



MH-2556

DOLMAR

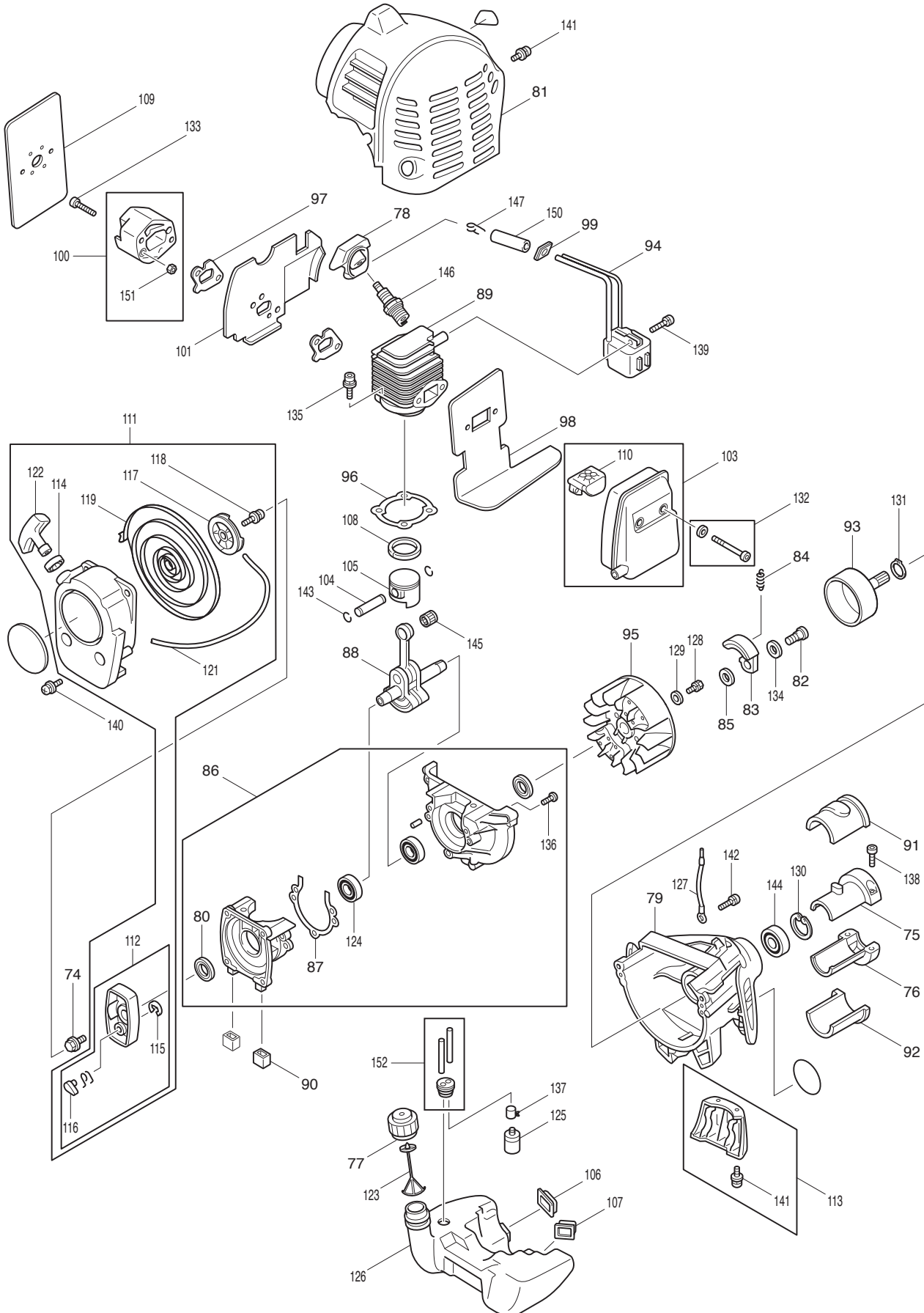
| Page | Pos. | MH-2556 | Part No. | Notes | Description | Specifications |
|------|------|---------|-------------|-------|---------------------|-------------------|
| 2 | 15 | 1 | 368 500 100 | | CONTROL LEVER ASS'Y | INC. 16-19, 21-24 |
| 2 | 16 | 1 | 374 500 603 | | LEVER | |
| 2 | 17 | 1 | 367 502 306 | | LEVER | |
| 2 | 18 | 1 | 381 500 615 | | TOP | |
| 2 | 19 | 1 | 367 500 101 | | SWITCH ASS'Y | |
| 2 | 20 | 1 | 367 500 102 | | WIRE COMPLETE | |
| 2 | 21 | 1 | 367 500 605 | | SPRING | |
| 2 | 22 | 2 | 374 905 972 | | SOCKET HEAD BOLT | M5X20 |
| 2 | 23 | 2 | 374 501 116 | | NUT | |
| 2 | 24 | 4 | 367 500 606 | | TAPPING SCREW | M4X20 |



MH-2556



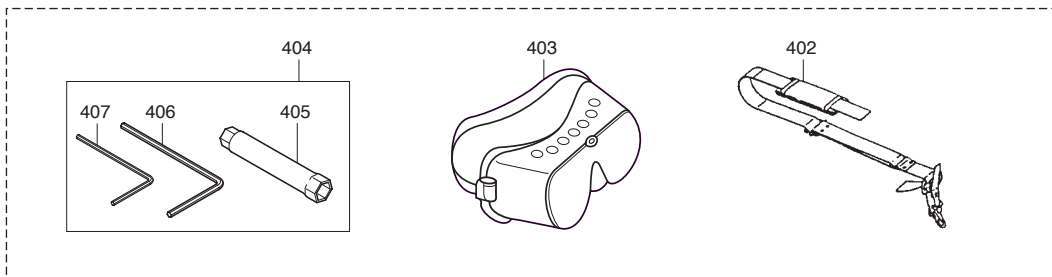
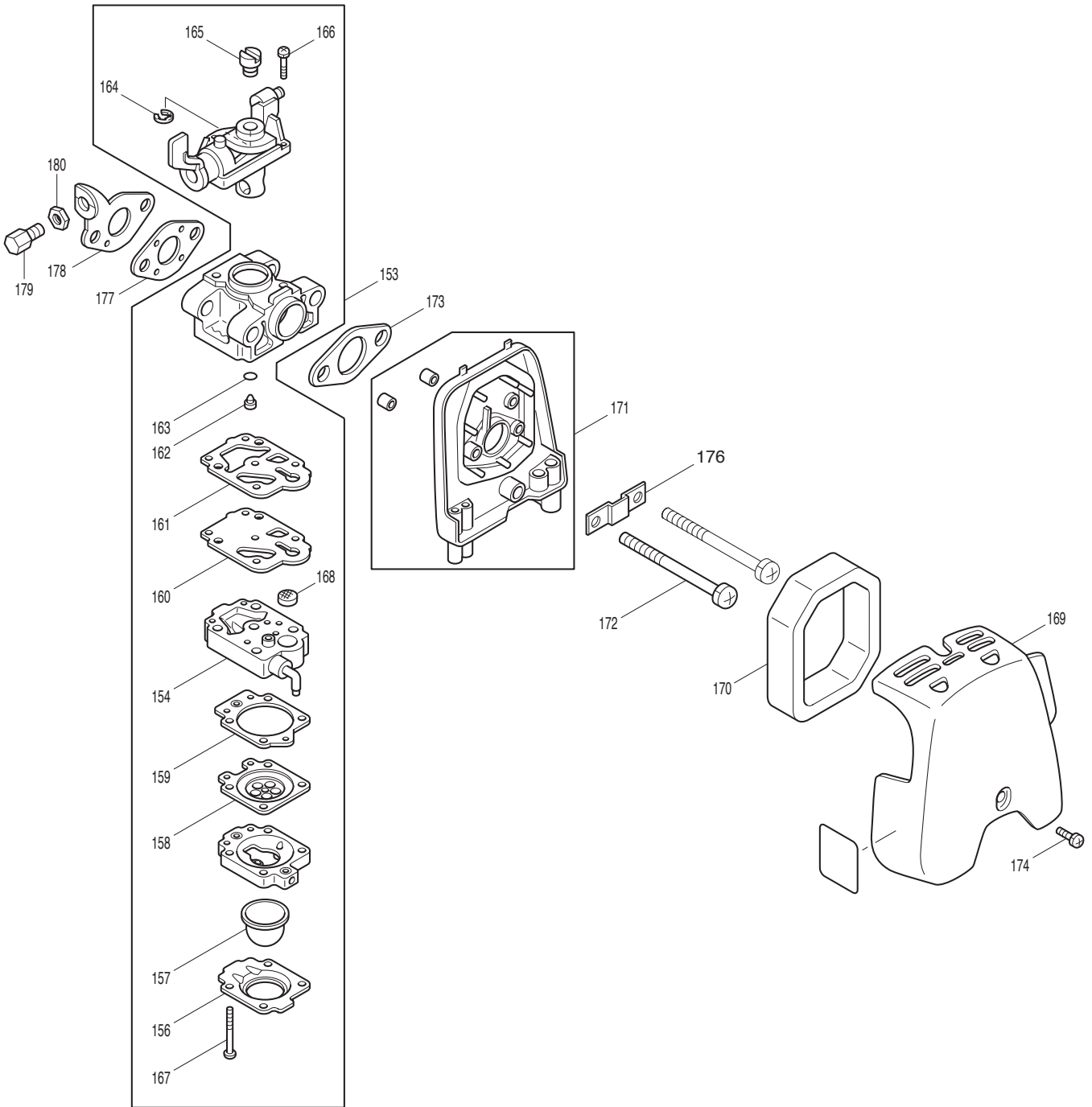
| Page | Pos. | MH-2556 | Part No. | Notes | Description | Specifications |
|------|------|---------|-------------|-------|----------------------|----------------|
| 3 | 25 | 1 | 367 000 900 | | CLAMP LEVER | |
| 3 | 26 | 3 | 381 060 000 | | SPRING WASHER | M6 |
| 3 | 27 | 3 | 367 060 209 | | WASHER | |
| 3 | 28 | 1 | 367 145 003 | | PLATE | |
| 3 | 29 | 2 | 367 060 220 | | BOLT | M6X22 |
| 3 | 30 | 1 | 367 148 002 | | CASE A | |
| 3 | 31 | 1 | 367 141 003 | | HANDLE | |
| 3 | 32 | 2 | 374 150 060 | | HEX NUT | M6 |
| 3 | 33 | 3 | 367 000 100 | | GREASING NIPPLE | |
| 3 | 34 | 4 | 367 040 080 | | SCREW | M4X8 |
| 3 | 35 | 1 | 374 112 004 | | PLATE | |
| 3 | 36 | 2 | 367 006 000 | | STOP RING | ETW6 |
| 3 | 37 | 1 | 367 500 444 | | GEAR | |
| 3 | 38 | 2 | 367 026 000 | | SNAP RING (INNER) | R26 |
| 3 | 39 | 2 | 374 060 000 | | BALL BEARING | 6000 |
| 3 | 40 | 1 | 374 000 053 | | CRANKSHAFT | |
| 3 | 41 | 1 | 374 028 000 | | SNAP RING | STW28 |
| 3 | 42 | 2 | 374 143 009 | | BLADE SET | |
| 3 | 43 | 1 | 374 351 006 | | B. BEARING | 608Z |
| 3 | 44 | 1 | 374 153 003 | | CASE LOWER | |
| 3 | 45 | 4 | 374 040 120 | | BOLT | M4X12 |
| 3 | 46 | 1 | 381 112 004 | | FELT | |
| 3 | 47 | 1 | 367 002 009 | | BLADE SLIDING SCREW | L19 |
| 3 | 48 | 5 | 374 008 250 | | BLADE SLIDING WASHER | |
| 3 | 49 | 4 | 374 001 009 | | SCREW | L17 |
| 3 | 50 | 5 | 374 164 060 | | HEX U-NUT | M6 |
| 3 | 51 | 2 | 374 031 050 | | C. S. H. SCREW | M5X20 |
| 3 | 52 | 1 | 374 144 003 | | GUIDE PLATE | |
| 3 | 53 | 1 | 374 131 004 | | GUIDE | |
| 3 | 54 | 1 | 374 108 004 | | PLATE | |
| 3 | 55 | 2 | 374 162 050 | | FLANGE NUT | M5 |
| 3 | 56 | 2 | 374 060 120 | | BOLT | M6X12 |
| 3 | 57 | 1 | 374 006 080 | | BALL BEARING | 608LLU |
| 3 | 58 | 2 | 374 022 000 | | SNAP RING (INNER) | R22 |
| 3 | 59 | 1 | 374 130 004 | | GEAR SHAFT | |
| 3 | 60 | 1 | 374 041 000 | | O-RING | |
| 3 | 61 | 1 | 374 154 004 | | PACKING | |
| 3 | 62 | 1 | 374 149 002 | | CASE B | |
| 3 | 63 | 2 | 381 050 000 | | WASHER | |
| 3 | 64 | 1 | 374 050 100 | | PAN HEAD SCREW | M5X10 |
| 3 | 65 | 1 | 374 050 250 | | BOLT | M5X25 |
| 3 | 66 | 1 | 374 146 004 | | JOINT R | |
| 3 | 67 | 1 | 374 109 004 | | GEAR SHAFT B | |
| 3 | 68 | 2 | 374 069 000 | | BALL BEARING | 6900 |
| 3 | 69 | 1 | 374 500 434 | | GEAR | |
| 3 | 70 | 1 | 374 114 004 | | PACKING | |
| 3 | 71 | 1 | 374 113 004 | | PLATE | |
| 3 | 72 | 1 | 374 200 039 | | BLADE COVER | |
| 3 | 73 | 2 | 374 147 004 | | CAP | |



MH-2556



| Page | Pos. | MH-2556 | Part No. | Notes | Description | Specifications |
|------|------|---------|-------------|-------|------------------------|----------------------------------|
| 4 | 74 | 1 | 388 550 470 | | BOLT ASS'Y | |
| 4 | 75 | 1 | 367 150 680 | | PIPE BRACKET (1) | |
| 4 | 76 | 1 | 367 150 690 | | PIPE BRACKET (2) | |
| 4 | 77 | 1 | 377 601 400 | | FUEL TANK CAP COMPLETE | |
| 4 | 78 | 1 | 388 750 330 | | PLUG CAP | |
| 4 | 79 | 1 | 374 150 420 | | CLUTCH CASE | |
| 4 | 80 | 2 | 388 012 997 | | OIL SEAL | |
| 4 | 81 | 1 | 374 503 800 | | CYLINDER COVER | |
| 4 | 82 | 2 | 374 850 040 | | CLUTCH BOLT | |
| 4 | 83 | 2 | 367 850 000 | | CLUTCH SHOE | |
| 4 | 84 | 1 | 367 850 010 | | SPRING | |
| 4 | 85 | 2 | 381 250 090 | | WASHER | |
| 4 | 86 | 1 | 388 101 100 | | CRANKCASE ASS'Y | INC. 80, 87, 124, 136 |
| 4 | 87 | 1 | 388 150 220 | | CRANKCASE GASKET | |
| 4 | 88 | 1 | 374 201 700 | | CRANKSHAFT COMPLETE | |
| 4 | 89 | 1 | 388 150 180 | | CYLINDER | |
| 4 | 90 | 2 | 381 650 025 | | DAMPER | |
| 4 | 91 | 1 | 367 150 660 | | PIPE DAMPER 1 | |
| 4 | 92 | 1 | 367 150 670 | | PIPE DAMPER 2 | |
| 4 | 93 | 1 | 374 201 400 | | CLUTCH DRUM COMPLETE | |
| 4 | 94 | 1 | 388 703 102 | | COIL | |
| 4 | 95 | 1 | 388 700 201 | | FLYWHEEL | |
| 4 | 96 | 1 | 388 150 230 | | CYLINDER GASKET | |
| 4 | 97 | 2 | 388 350 390 | | INSULATOR GASKET | |
| 4 | 98 | 1 | 382 350 060 | | MUFFLER GASKET | |
| 4 | 99 | 1 | 388 750 320 | | GROMMET | |
| 4 | 100 | 1 | 381 301 400 | | INSULATOR COMPLETE | INC. 151 |
| 4 | 101 | 1 | 374 350 100 | | INSULATOR CARBURETOR | |
| 4 | 103 | 1 | 388 303 700 | | EXHAUST MUFFLER | INC. 110 |
| 4 | 104 | 1 | 388 250 260 | | PISTON PIN | |
| 4 | 105 | 1 | 388 250 190 | | PISTON | |
| 4 | 106 | 1 | 381 650 020 | | PLATE | |
| 4 | 107 | 1 | 381 650 030 | | PLATE | |
| 4 | 108 | 1 | 382 250 070 | | PISTON RING | |
| 4 | 109 | 1 | 388 350 030 | | GASKET SPACER | |
| 4 | 110 | 1 | 374 350 660 | | SPARK ARRESTER | |
| 4 | 111 | 1 | 374 501 200 | | STARTER ASS'Y | INC. 112, 114, 117-119, 121, 122 |
| 4 | 112 | 1 | 367 502 500 | | PULLEY | INC. 115, 116 |
| 4 | 113 | 1 | 381 900 200 | | STAND SET | INC. 141 |
| 4 | 114 | 1 | 388 500 104 | | DAMPER | |
| 4 | 115 | 1 | 374 500 304 | | E-RING | |
| 4 | 116 | 1 | 374 501 101 | | RATCHET | |
| 4 | 117 | 1 | 367 502 401 | | REEL | |
| 4 | 118 | 1 | 388 500 301 | | SET SCREW | |
| 4 | 119 | 1 | 367 502 403 | | SPIRAL SPRING | |
| 4 | 121 | 1 | 374 502 402 | | STARTER ROPE | |
| 4 | 122 | 1 | 388 500 402 | | HANDLE | |
| 4 | 123 | 1 | 377 502 100 | | STRAP UNIT | |
| 4 | 124 | 2 | 388 012 985 | | BALL BEARING | 6001C3 UR |
| 4 | 125 | 1 | 382 650 390 | | FILTER | |
| 4 | 126 | 1 | 374 650 130 | | FUEL TANK | |
| 4 | 127 | 1 | 388 550 120 | | WIRE | |
| 4 | 128 | 1 | 381 130 616 | | BOLT ASS'Y | |
| 4 | 129 | 1 | 381 120 600 | | WASHER | |
| 4 | 130 | 1 | 382 143 200 | | INNER SNAP RING | |
| 4 | 131 | 1 | 382 151 200 | | OUTER SNAP RING | |
| 4 | 132 | 1 | 388 905 960 | | S. H. BOLT | M5X45 |
| 4 | 133 | 2 | 374 905 964 | | SOCKET HEAD BOLT | M5X25 |
| 4 | 134 | 1 | 383 008 991 | | WASHER | M8 |
| 4 | 135 | 2 | 382 905 973 | | S. H. BOLT | M5X20 |
| 4 | 136 | 3 | 388 005 950 | | P. H. SCREW | M5X25 |
| 4 | 137 | 1 | 381 105 999 | | HOSE CLAMP | |
| 4 | 138 | 2 | 381 905 995 | | S. H. BOLT | M5X18 |
| 4 | 139 | 2 | 367 004 992 | | SCREW ASS'Y | M4X20 |
| 4 | 140 | 4 | 374 005 945 | | SCREW | M5X18 |
| 4 | 141 | 3 | 381 005 948 | | SCREW | M5X14 |
| 4 | 142 | 3 | 374 005 970 | | SCREW | M5X20 |
| 4 | 143 | 2 | 388 508 997 | | CLIP | |
| 4 | 144 | 1 | 382 012 995 | | B. BEARING | #6201/6201DD 2RU |
| 4 | 145 | 1 | 381 008 999 | | NEEDLE ROLLER BEARING | |
| 4 | 146 | 1 | 381 014 981 | | SPARK PLUG | |
| 4 | 147 | 1 | 377 400 993 | | PLUG CAP SPRING | |
| 4 | 150 | 1 | 388 106 992 | | TUBE | |
| 4 | 151 | 2 | 381 170 500 | | NUT | M5 |
| 4 | 152 | 1 | 374 119 997 | | TUBE | |



MH-2556



| Page | Pos. | MH-2556 | Part No. | Notes | Description | Specifications |
|------|------|---------|-------------|-------|---------------------------|-------------------|
| 5 | 153 | 1 | 374 606 500 | | CARBURETOR | INC. 154, 156-168 |
| 5 | 154 | 1 | 374 604 613 | | PUMP BODY ASSEMBLY | |
| 5 | 156 | 1 | 374 604 605 | | PRIMER PUMP COVER | |
| 5 | 157 | 1 | 381 600 115 | | PRIMER PUMP | |
| 5 | 158 | 1 | 381 600 525 | | METERING DIAPHRAGM ASS'Y | |
| 5 | 159 | 1 | 381 604 604 | | METERING DIAPHRAGM GASKET | |
| 5 | 160 | 1 | 381 600 104 | | PUMP DIAPHRAGM | |
| 5 | 161 | 1 | 381 600 103 | | PUMP GASKET | |
| 5 | 162 | 1 | 374 606 501 | | JET | |
| 5 | 163 | 1 | 381 600 101 | | O-RING | |
| 5 | 164 | 1 | 381 600 512 | | RING | |
| 5 | 165 | 1 | 381 601 804 | | SWIVEL | |
| 5 | 166 | 2 | 388 600 803 | | P. H. SCREW | |
| 5 | 167 | 4 | 381 604 601 | | PUMP COVER SCREW | |
| 5 | 168 | 1 | 381 600 401 | | INLET SCREEN | |
| 5 | 169 | 1 | 388 350 260 | | AIR CLEANER CASE | |
| 5 | 170 | 1 | 388 350 470 | | AIR CLEANER ELEMENT | |
| 5 | 171 | 1 | 388 302 100 | | CLEANER PLATE COMPLETE | |
| 5 | 172 | 2 | 367 360 565 | | SCREW | M5X62 |
| 5 | 173 | 1 | 388 350 420 | | CARBURETOR GASKET | |
| 5 | 174 | 1 | 367 360 514 | | SCREW | M5X14 |
| 5 | 176 | 1 | 381 350 240 | | AIR CLEANER PLATE ASS'Y | |
| 5 | 177 | 1 | 381 350 280 | | SPACER GASKET | |
| 5 | 178 | 1 | 374 650 190 | | CABLE BRACKET | |
| 5 | 179 | 1 | 374 906 998 | | ADJUST SCREW | |
| 5 | 180 | 1 | 377 270 600 | | NUT | M6 |
| 5 | 402 | 1 | 367 700 300 | | BAND ASS'Y | |
| 5 | 403 | 1 | 374 916 862 | | SAFETY GOGGLES | |
| 5 | 404 | 1 | 374 900 600 | | TOOL KIT | INC. 405-407 |
| 5 | 405 | 1 | 374 319 990 | | BOX WRENCH | |
| 5 | 406 | 1 | 374 705 999 | | HEX WRENCH | |
| 5 | 407 | 1 | 374 832 020 | | HEX WRENCH | 4 |

- | | |
|---|---|
| 1 | Pipe, handle, control lever |
| 2 | Control lever, wire set |
| 3 | Gear, shear blade |
| 4 | Engine, starter, clutch, fuel tank, exhaust muffler |
| 5 | Carburetor, air cleaner, accessories |

| | Key to symbols |
|--|---|
| ⇒ 1999999 2000000 ⇒ 2003.04 ⇒ TI 2003/07 Acc. = { m Corr. | Production to serial number New part from serial number New part from Year / Month See Technical Information Year / No. Accessories (not included in the delivery inventory) No standard execution, may be used Contains item number Sold by the meter Error correction |
| | Specifications subject to change without notice |