

RYOBI SNIPS – MODEL NO. MC100L

The model number will be found on a label attached to the housing. Always mention the model number in all correspondence regarding your **SNIPS** or when ordering replacement parts.

FIGURE A

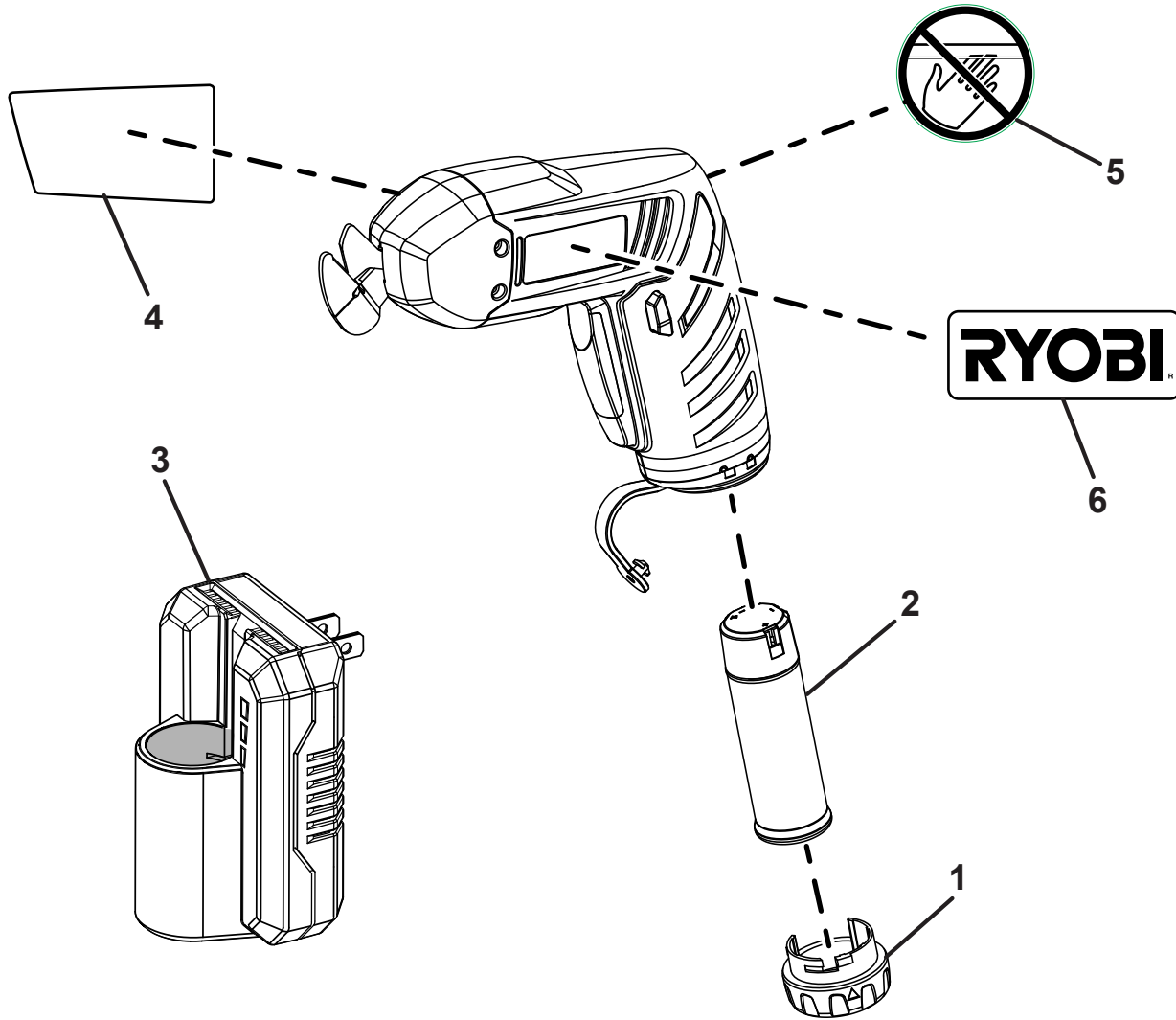


FIGURE A PARTS LIST

KEY NO.	PART NUMBER	DESCRIPTION	QTY.	KEY NO.	PART NUMBER	DESCRIPTION	QTY.
1	019608001041	Battery Cap	1	6	019608001053	Logo Label.....	1
2	130166003	Battery Pack (AP4001, 4 Volt Li-ion)	1	NOT SHOWN:			
3	140129002	Charger (AP4700, 4 Volt Li-ion)	1	987000670	Operator's Manual (MC100L) ..	1	
4	019608001051	Data and Warning Label	1	987000706	Operator's Manual (AP4001) ...	1	
5	019608001052	Warning Icon Label.....	1	987000654	Operator's Manual (AP4700) ...	1	
				8-31-09 (REV:01)			