

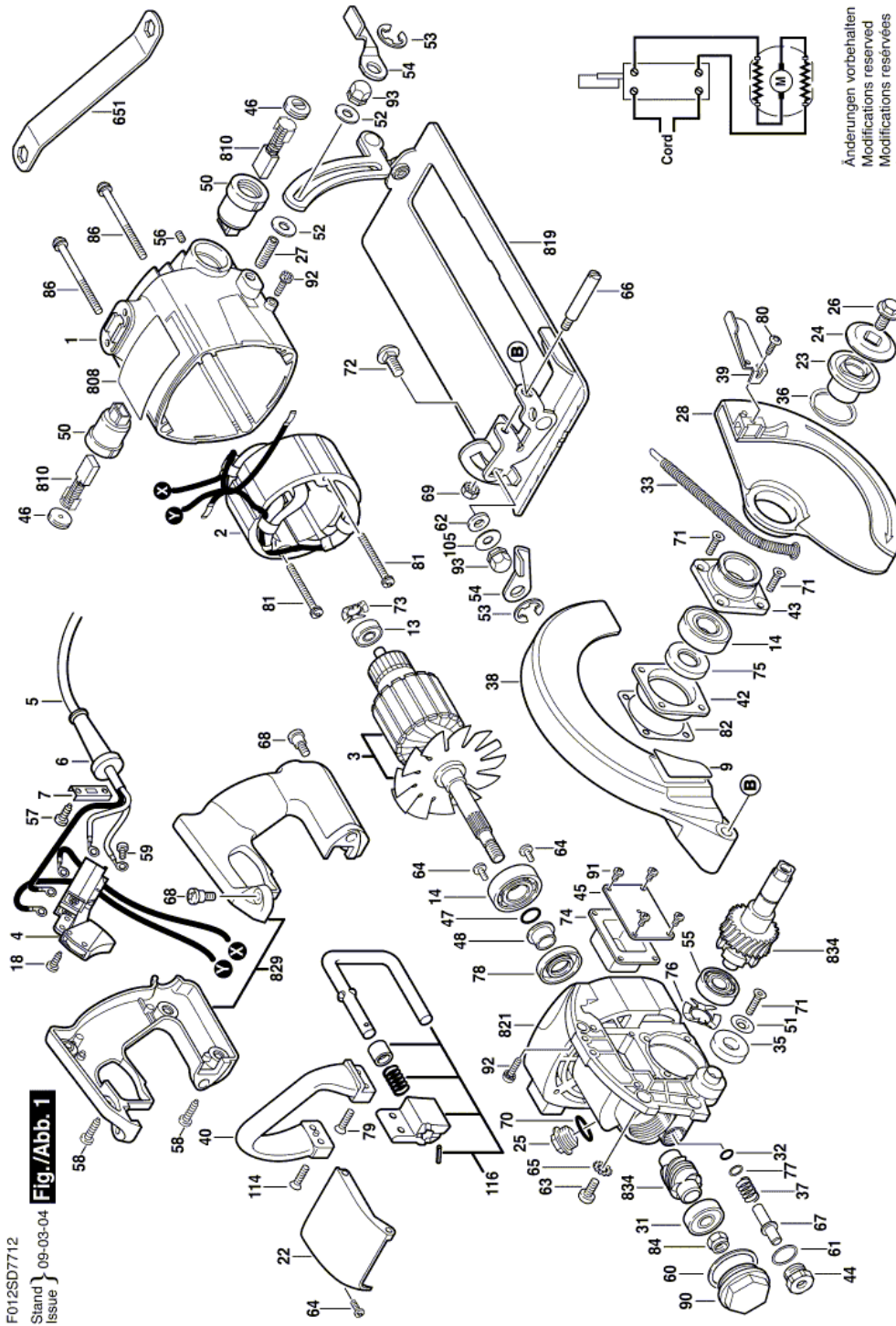
Circular hand saw - F 012 SD7 714 - MAG77-75

Item	Part Number	Description	Illustration	Price	Quantity	Price Group
1	1 619 X01 155	Motor Housing		1 \$ 32.30	1	36
2	1 619 P02 674	Field		1 \$ 32.30	1	36
3	2 610 931 892	Armature		1 \$ 46.75	1	39
4	1 619 X01 273	On-Off Switch		1 -,-	1	-
5	1 619 X01 570	Cord		1 \$ 11.75	1	26
6	1 619 X02 971	Grommet		1 \$ 2.77	1	16
7	1 619 X01 274	Cable Clip		1 \$ 1.07	1	11
9	1 619 X01 998	Manufacturer's nameplate		1 \$ 1.07	1	11
13	2 610 017 348	Deep-Groove Ball Bearing		1 \$ 1.90	1	14
14	2 610 024 748	Ball Bearing		1 \$ 2.42	2	15
18	2 610 901 971	Screw		1 \$ 0.65	1	10
22	1 619 X01 208	Hood		1 \$ 1.07	1	11
23	1 619 X01 249	Washer		1 \$ 3.55	1	17
24	1 619 X02 969	Washer		1 \$ 4.10	1	18
25	1 619 X06 474	Oil Drain Plug		1 \$ 1.07	1	11
26	1 619 X03 643	Collar bolt		1 \$ 1.29	1	12
27	1 619 X01 262	Stud		1 \$ 1.07	1	11
28	1 619 X03 956	Lower guard		1 \$ 7.20	1	22
31	2 610 017 875	Ball Bearing		1 \$ 2.77	1	16
32	1 619 X03 779	O-Ring		1 \$ 1.07	1	11
33	2 610 911 148	Extension Spring		1 \$ 1.29	1	12
35	2 610 319 494	End stop		1 \$ 1.07	1	11
36	2 610 341 359	Spring retaining ring		1 \$ 1.07	1	11
37	2 610 023 394	Spring		1 \$ 0.65	1	10
38	1 619 X01 173	Upper guard		1 \$ 15.25	1	29
39	1 619 X01 237	Lever		1 \$ 1.07	1	11
40	1 619 X01 205	Handle		1 \$ 3.55	1	17
42	1 619 X01 253	Bearing Plate		1 \$ 4.10	1	18
43	1 619 X01 255	Guard Plate		1 \$ 3.55	1	17
44	1 619 X01 271	Bushing		1 \$ 1.60	1	13
45	1 619 X01 228	Cover		1 \$ 1.07	1	11
46	1 619 X01 268	Device cap		1 \$ 1.07	2	11
47	2 610 044 638	O-Ring		1 \$ 1.07	1	11
48	1 619 X01 272	Collar		1 \$ 1.90	1	14
50	1 619 X01 267	Brush Holder		1 -,-	2	-
51	2 610 004 341	Washer		1 \$ 0.65	1	10

Item	Part Number	Description	Illustration	Price	Quantity	Price Group
52	2 610 912 616	Washer	1	\$ 0.65	2	10
53	2 610 968 747	Spring retaining ring	1	\$ 1.07	2	11
54	1 619 X01 235	Locking Lever	1	\$ 1.07	2	11
55	2 610 000 166	Ball Bearing	1	\$ 2.77	1	16
56	2 610 027 039	Set screw	1	\$ 0.65	2	10
57	2 610 315 299	Screw	1	\$ 0.65	2	10
58	2 610 315 380	Screw	1	\$ 0.65	4	10
59	1 619 X03 644	Screw	1	\$ 0.65	1	10
60	2 610 023 331	Washer	1	\$ 1.07	1	11
61	2 610 025 067	Washer	1	\$ 1.07	1	11
62	1 619 X03 110	Washer	1	\$ 1.07	1	11
63	2 610 329 955	Screw	1	\$ 0.65	2	10
64	1 619 X01 786	Contact Screw	1	\$ 0.65	4	10
65	2 610 306 355	Washer	1	\$ 0.65	2	10
66	1 619 X01 263	Stud	1	\$ 1.60	1	13
67	1 619 X01 298	Bearing bolt	1	\$ 1.07	1	11
68	2 610 932 332	Screw	1	\$ 0.65	4	10
69	2 610 932 460	Self-locking nut	1	\$ 0.65	1	10
70	1 616 B10 364	O-Ring	1	\$ 0.65	1	10
71	2 610 027 002	Screw	1	\$ 0.65	5	10
72	2 610 016 325	Bolt	1	\$ 1.07	1	11
73	2 610 004 459	Spring Washer	1	\$ 1.07	1	11
74	1 619 X01 257	Rubber Gasket	1	\$ 1.07	1	11
75	2 610 025 245	Seal	1	\$ 1.29	1	12
76	2 610 931 237	Spring Washer	1	\$ 1.07	1	11
77	2 610 017 016	Washer	1	\$ 0.65	1	10
78	2 610 329 927	Seal	1	\$ 1.90	1	14
79	2 610 993 549	Screw	1	\$ 0.65	2	10
80	1 619 X00 939	Screw	1	\$ 0.65	1	10
81	2 610 329 950	Screw	1	\$ 0.65	2	10
82	1 619 X01 258	Gasket	1	\$ 1.07	1	11
84	2 610 318 324	Nut	1	\$ 1.07	1	11
86	2 610 329 953	Screw	1	\$ 1.07	4	11
90	1 619 X01 260	Bearing Cover	1	\$ 1.07	1	11
91	1 619 X00 939	Screw	1	\$ 0.65	4	10
92	2 610 932 218	Screw	1	\$ 0.65	2	10
93	1 619 X01 283	Nut	1	\$ 1.60	2	13
105	1 619 X03 501	Washer	1	\$ 0.65	1	10
114	2 610 911 890	Screw	1	\$ 0.65	2	10
116	1 619 X01 264	Assembly Hook	1	\$ 4.10	1	18
651	2 610 000 266	Screwdriver	1	-,-	1	-
808	1 619 X07 224	Nameplate	1	-,-	1	-
810	1 619 X01 351	Carbon-Brush Set	1	\$ 4.10	1	18
819	1 619 X03 124	Base Plate	1	\$ 40.50	1	38
821	2 610 906 401	Gear Housing	1	\$ 36.60	1	37
829	1 619 X01 364	Set Of Handles	1	\$ 10.60	1	25
834	1 619 X02 374	Set Of Gears	1	\$ 36.60	1	37

Information subject to change without further notice.

Illustration - Type E



F012SD7712
 Stand } 09-03-04
 Issue }
Fig./Abb. 1

Information subject to change without further notice.