

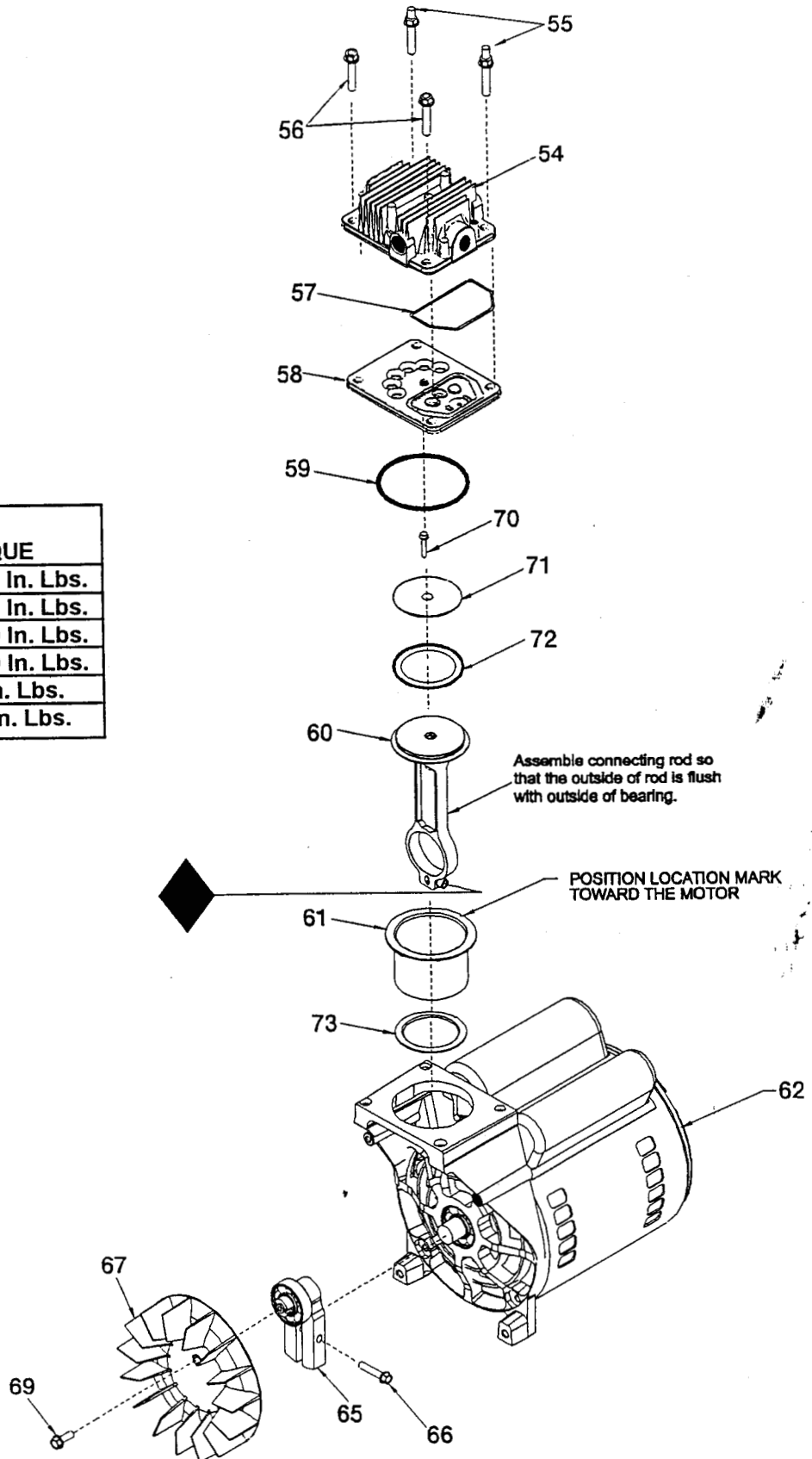


# AIR COMPRESSOR PARTS LIST

KEY NO.	PART NUMBER	DESCRIPTION
1	CAC-1080	TOOL TRAY
2	AC-0046	REAR SHROUD
3	SS-655-ZN	HEXNUT 1/4"20UNC (2 USED)
4	CAC-1121	SHROUD BRACKET (2 USED)
5	AC-0426	PUMP ASSEMBLY
6	SSF-1001-1	SCREW 10-32 (2 USED)
7	SSP-7813	NUT SLEEVE ASSY 3/8"
8	AC-0406	OUTLET TUBE
9	SSF-3156	SCREW 10-9X.50 (2 USED)
10	TA-4405	TANK
11	AC-0261	HANDLE GRIP
12	SSP-7811	NUT SLEEVE ASSY 1/4" (2 USED)
13	SS-8553	CONNECTOR BODY
14	CAC-4290-3	CHECK VALVE
15	AC-0249	PRESSURE RELIEF TUBE
16	ACG-18	CUP SADDLE MOUNT (2 USED)
17	91895680	SCREW 1/4-20 x .75 (2 USED)
18	SSF-953-ZN	SCREW 10 x 5/8
19	SSP-480	NIPPLE
20	SST-5314-1	RUBBER BUMPER (4 USED)
21	TIA-4150	SAFETY VALVE
22	SSW-7367	STRAIN RELIEF BUSHING (2 USED)
23	SSF-607	SCREW (4 USED)
24	AC-0173	QUICK CONNECTOR
25	CAC-4296-1	REGULATOR
26	AC-0266	GAUGE (2 USED)
28	AC-0404	MANIFOLD SWITCH
29	SUDL-403-1	POWER CORD ASSEMBLY
30	SSP-6021	REDUCER BUSHING
31	SSG-3105	O-RING
32	ACG-19	ISOLATOR (3 USED)
33	AC-0253	SOLBERG FILTER
34	AC-0400	FRONT SHROUD
35	AC-0403	HEAD COVER
36	SSP-7821-1	NUT
37	AC-0270	PLUG
38	CAC-1419	PRESSURE SWITCH COVER
39	AC-0397	FINGER GUARD
40	AC-0430	DRAIN VALVE
41	AC-0231	NIPPLE

# AIR COMPRESSOR PUMP DIAGRAM

KEY NO.	TORQUE
55	100 to 120 In. Lbs.
56	100 to 120 In. Lbs.
66	100 to 120 In. Lbs.
69	100 to 120 In. Lbs.
70	50 to 60 In. Lbs.
◆	42 to 48 In. Lbs.



# AIR COMPRESSOR PUMP PARTS LIST

KEY NO.	PART NUMBER	DESCRIPTION
54	AC-0252	Head
55	SSF-589	Stud 1/4"-20 x 1 1/4" (2 used)
56	SSF-927	Screw 1/4-20 x 1 1/4" (2 used)
*✓ 57	ACG-45	O-Ring
58	AC-0032	Valve plate assembly (includes valves, restrictors & screws)
*✓ 59	SSG-8156	O-ring
* 60	---	Connecting rod assembly
*✓ 61	---	Cylinder sleeve (position locating mark toward motor)
62	MO-9045	Motor
65	AC-0140	Eccentric Flywheel Bearing Assy.
66	SSF-615	Screw 1/4-20 unc-2A
67	AC-0108	Fan
69	SSF-586	Screw 1/4-20 unc x .75
*✓ 70	SSF-3158-1	Screw 10-24 X .75 T25 Torx
* 71	---	Connecting Rod Cap
*✓ 72	---	Compression Ring
73	DAC-161	Shim
		<b><u>NOT ILLUSTRATED</u></b>
	KK-4315	Pressure Relief Valve
	AC-0281	Air Filter Replacement

- \* Keys 57, 59, 60, 61, 70, 71, and 72 are purchased as part of KK-4835 piston/cylinder kit.
- ✓ Keys 57, 59, 61, 70 and 72 can be purchased as part of K-0058 cylinder sleeve/compression ring kit.