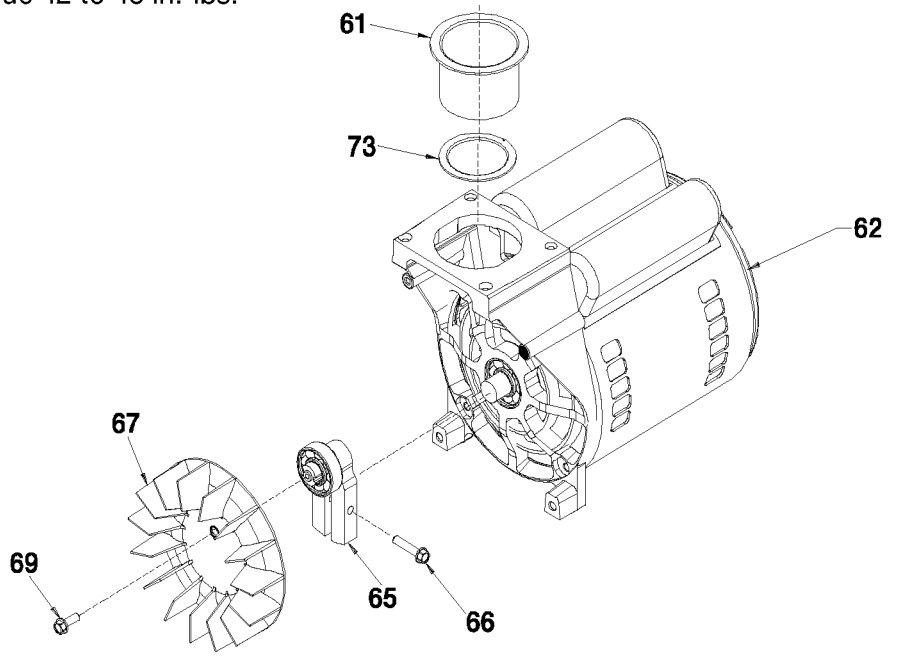
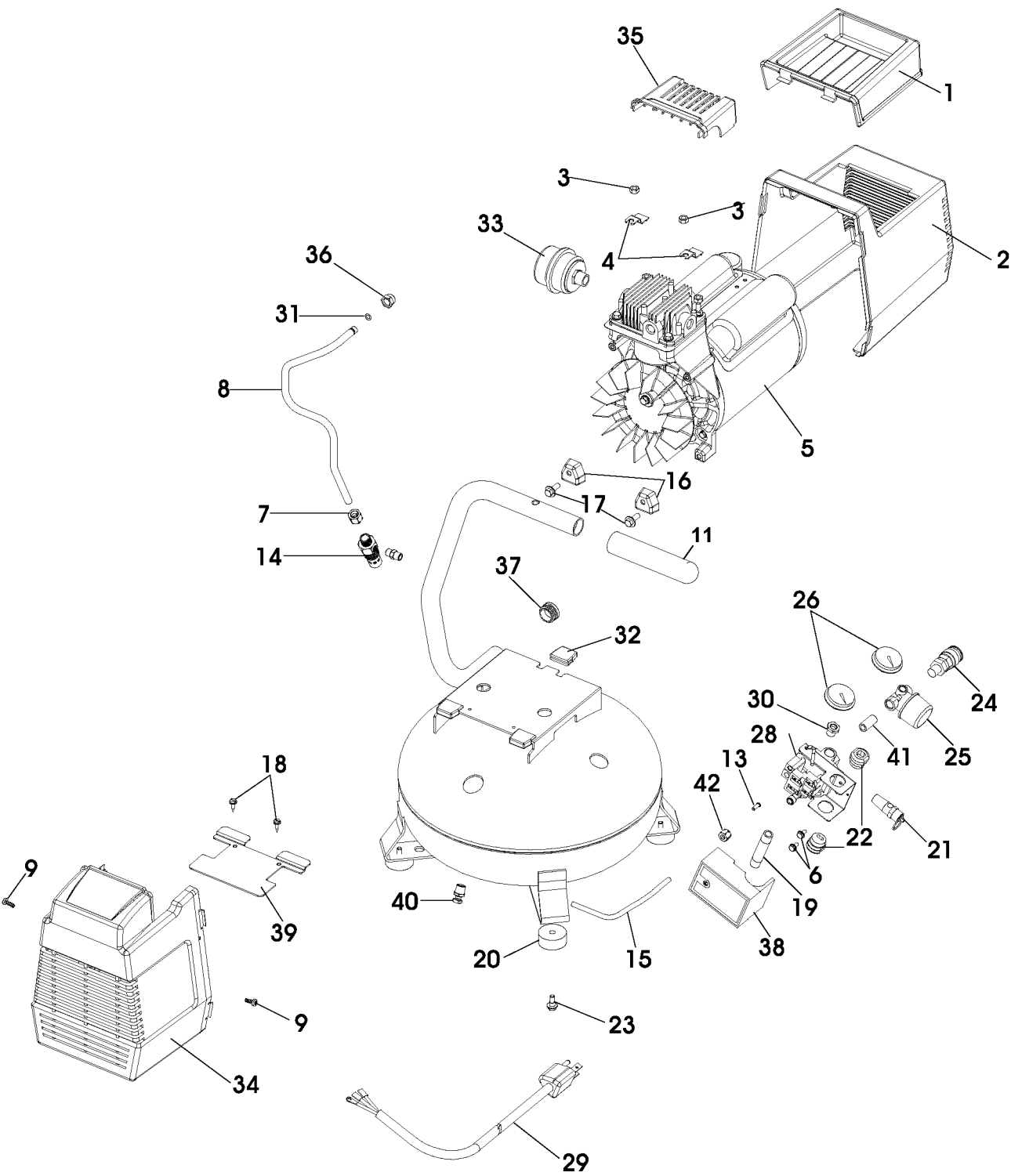


Torque 42 to 48 in.-lbs.





Parts List for MAC1200 Type 2

Item Number	Part Number	Description	Qty Required
1	CAC-1080	TRAY TOOL	1
2	AC-0046	SHROUD REAR 3PT SING	1
3	038738-00	NUT	2
4	CAC-1121	BRACKET SHROUD	2
6	SSF-1001-1	SCREW #10-32X.375 HH	2
7	SSP-7813	ASSY NUT SLEEVE 3/8	1
8	000000-00	No Longer Available	1
9	SSF-3156	SCREW #10-9X.500 THD	2
11	AC-0261	GRIP HANDLE 1.00 TUB	1
13	5130039-00	SLEEVE	1
14	A19711	VALVE CHECK 1/2NPT X	1
16	ACG-18	CUP SADDLE MOUNT	2
17	91895680	SCREW .250-20X.750 H	2
18	SSF-953-ZN	SCREW #10X.625 HHW S	1
19	SSP-480	NIPPLE 1/4-18 NPT X	1
20	SST-5314-1	BUMPER RECESS RUBBER	3
21	D20114	VALVE SAFETY 175 .25	1
22	33821-00	BUSHING	2
22	438010040063	HEYCO BUSHINGS	1
23	91895680	SCREW .250-20X.750 H	3
24	000000-00	No Longer Available	1
25	CAC-4296-1	REGULATOR 3PORT P2 L	1
26	Z-AC-0266	GUAGE MAKITA 200 PSI	2
28	000000-00	No Longer Available	1
29	SUDL-403-1	ASSY CORD POWER SJT	1
30	SSP-6021	BUSHING REDUCER 1/8-	1
31	SSG-3105	ORING 306/296ID 073/	1

Parts List for MAC1200 Type 2

Item Number	Part Number	Description	Qty Required
32	ACG-19	ISOLATOR 3 POINT MOU	3
33	AC-0253	FILTER INLET SOLBERG	1
34	AC-0400	SHROUD FRONT PANCAKE	1
35	000000-00	No Longer Available	1
36	SSP-7821-1	NUT .563-18 UNF HEX	1
37	AC-0270	PLUG PRY OUT	1
38	AC-0557	COVER PRES SWITCH	1
39	AC-0397	GUARD FAN	1
40	N286039	DRAIN VALVE	1
41	000000-00	No Longer Available	1
42	SSP-7811	ASSY NUT SLEEVE 1/4	1
54	000000-00	No Longer Available	1
55	SSF-589	STUD 1/4 - 20 X 1.12	2
56	SSF-927	SCREW .250-20X1.125	1
57	ACG-45	ORING P/L HEAD	1
58	Z-AC-0032	ASSY VALVE PLATE	1
59	SSG-8156	ORING 2.759/2.719ID	1
60	KK-4835	KIT CONNECTING ROD L	1
61	KK-4835	KIT CONNECTING ROD L	1
65	Z-AC-0140	ASSY ECCENTRIC BEARI	1
66	SSF-615	SCREW .250-20X1.25 U	1
67	AC-0108	FAN 5.75 DIA	1
69	SSF-586	SCREW .250-20X.750 U	1
70	SSF-3158-1	SCREW #10-24X.750 TH	1
71	KK-4835	KIT CONNECTING ROD L	1
72	KK-4835	KIT CONNECTING ROD L	1
73	D28993	SHIM .020 THICK PERM	1

Parts List for MAC1200 Type 2

Item Number	Part Number	Description	Qty Required
856	K-0650	KIT COMP RING REPLAC	1
856	KK-4835	KIT CONNECTING ROD L	1
856	AC-0281	FILTER REPLACEMENT	1