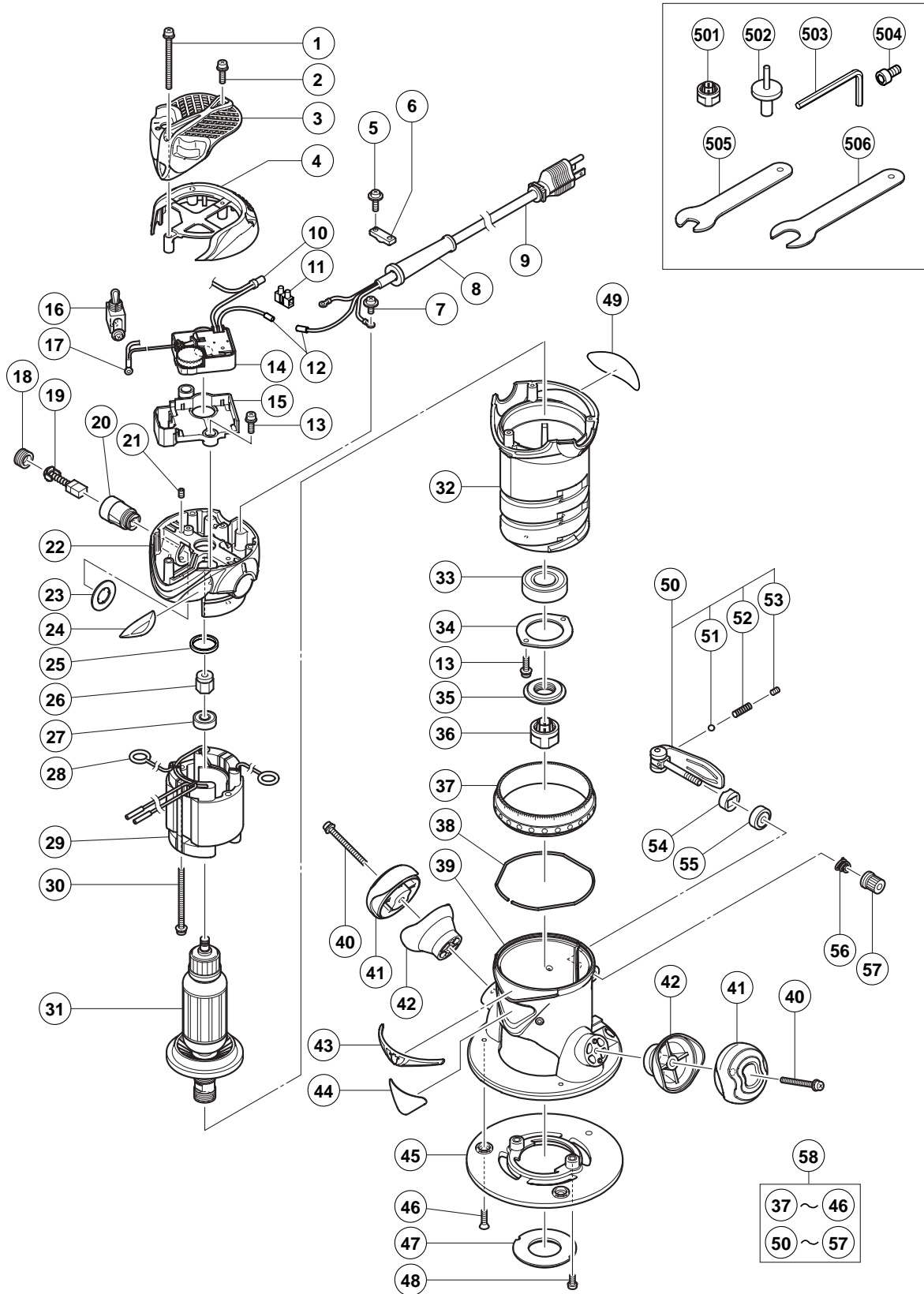


ELECTRIC TOOL PARTS LIST

■ **ROUTER**
Model M 12VC

2004 • 8 • 5
(E1)



PARTS

M 12VC

ITEM NO.	CODE NO.	DESCRIPTION	NO. USED	REMARKS
1	307-365	MACHINE SCREW (W/WASHERS) M4X55 (BLACK)	3	
2	317-200	MACHINE SCREW (W/WASHERS) M4X8 (BLACK)	1	
3	323-267	HEAD COVER (B)	1	
4	323-266	HEAD COVER (A)	1	
5	954-878	MACHINE SCREW (W/WASHERS) M4X16	2	
6	937-631	CORD CLIP	1	
7	317-333	MACHINE SCREW (W/SP. WASHER) M4X6	1	
8	938-051	CORD ARMOR D10.1	1	
9	500-399Z	CORD	1	
10	959-141	CONNECTOR 50092 (10 PCS.)	1	
11	938-307	PILLAR TERMINAL	1	
12	981-373	TUBE (D)	2	
13	307-081	MACHINE SCREW (W/WASHERS) M4X12 (BLACK)	4	
14	323-273	CONTROLLER CIRCUIT	1	
15	323-274	SWITCH HOLDER	1	
16	955-509	SWITCH (1P SCREW TYPE)	1	
17	930-804	TERMINAL M4.0 (10 PCS.)	1	
18	935-829	BRUSH CAP	2	
19	999-043	CARBON BRUSH (1 PAIR)	2	
20	957-051	BRUSH HOLDER	2	
21	938-477	HEX. SOCKET SET SCREW M5X8	2	
22	323-256	STATOR HOLDER ASS'Y	1	INCLUD. 20, 21
23	930-706	STOP PLATE	2	
24	323-424	HITACHI PLATE (C)	1	
25	323-420	RUBBER RING	1	
26	307-093	MAGNET	1	
27	608-VVM	BALL BEARING 608VVC2PS2L	1	
28	930-703	BRUSH TERMINAL	2	
29	340-595D	STATOR ASS'Y 120V	1	INCLUD. 28
30	943-430	MACHINE SCREW (W/SP. WASHER) M5X60	2	
31	360-668U	ARMATURE ASS'Y 120V	1	INCLUD. 27, 33
32	323-255	HOUSING	1	
33	600-4VV	BALL BEARING 6004VVCMP2L	1	
34	323-257	BEARING COVER	1	
35	323-258	THRUST NUT	1	
36	323-421	COLLET CHUCK 1/2"	1	
37	323-260	RING	1	
38	323-264	STOPPER PIN	1	
39	323-259	BASE (A)	1	
40	323-263	MACHINE SCREW (W/WASHERS) M6X40 (BLACK)	2	
41	323-261	HANDLE (B)	2	
42	323-262	HANDLE (A)	2	
43	323-423	DECORATION PLATE (B)	1	
44	323-422	HITACHI PLATE (A)	1	
45	323-265	SUB BASE (A)	1	
46	949-332	FLAT HD. SCREW M5X12 (10 PCS.)	3	
47	323-272	TEMPLATE GUIDE ADAPTER	1	
48	949-234	MACHINE SCREW M5X6 (10 PCS.)	2	
49		NAME PLATE	1	
50	323-270	LEVER (A) ASS'Y	1	INCLUD. 51-53
51	959-155	STEEL BALL D3.97 (10 PCS.)	1	

STANDARD ACCESSORIES

M 12VC

ITEM NO.	CODE NO.	DESCRIPTION	NO. USED	REMARKS
501	323-293	COLLET CHUCK 1/4"	1	
502	323-296	CENTERING GAUGE	1	
503	944-458	HEX. BAR WRENCH 4MM	1	
504	949-819	HEX. SOCKET HD. BOLT M5X10 (10 PCS.)	2	
505	323-294	WRENCH 16MM	1	
506	323-295	WRENCH 23MM	1	

OPTIONAL ACCESSORIES

ITEM NO.	CODE NO.	DESCRIPTION	NO. USED	REMARKS
601	313-765	STRAIGHT BIT (TCT) D1/2"X1/2"	1	
602	323-298	TEMPLATE GUIDE D7.9	1	
603	323-299	TEMPLATE GUIDE D9.5	1	
604	323-300	TEMPLATE GUIDE D11.1	1	
605	323-301	TEMPLATE GUIDE D12.7	1	
606	323-302	TEMPLATE GUIDE D15.9	1	
607	323-303	TEMPLATE GUIDE D19.1	1	
608	323-304	TEMPLATE GUIDE D20.2	1	
609	323-305	LOCK NUT	1	
610	323-349	PLUNGE BASE ASS'Y	1	
611	323-346	DUST COLLECTOR SET	1	INCLUD. 612, 613
612	323-347	KNOB NUT (A)	2	
613	302-317	MACHINE SCREW M5X16 (BLACK)	2	
614	323-342	STRAIGHT GUIDE ASS'Y	1	INCLUD. 615-619
615	323-343	BAR HOLDER (A)	1	
616	323-344	STRAIGHT GUIDE	1	
617	323-345	GUIDE BAR	2	
618	956-793	FEED SCREW	1	
619	301-806	WING BOLT M6X15	3	