

Gasoline containing up to 10% ethanol (E10) is acceptable for use in this machine. The use of any gasoline exceeding 10% ethanol (E10) will void the product warranty.

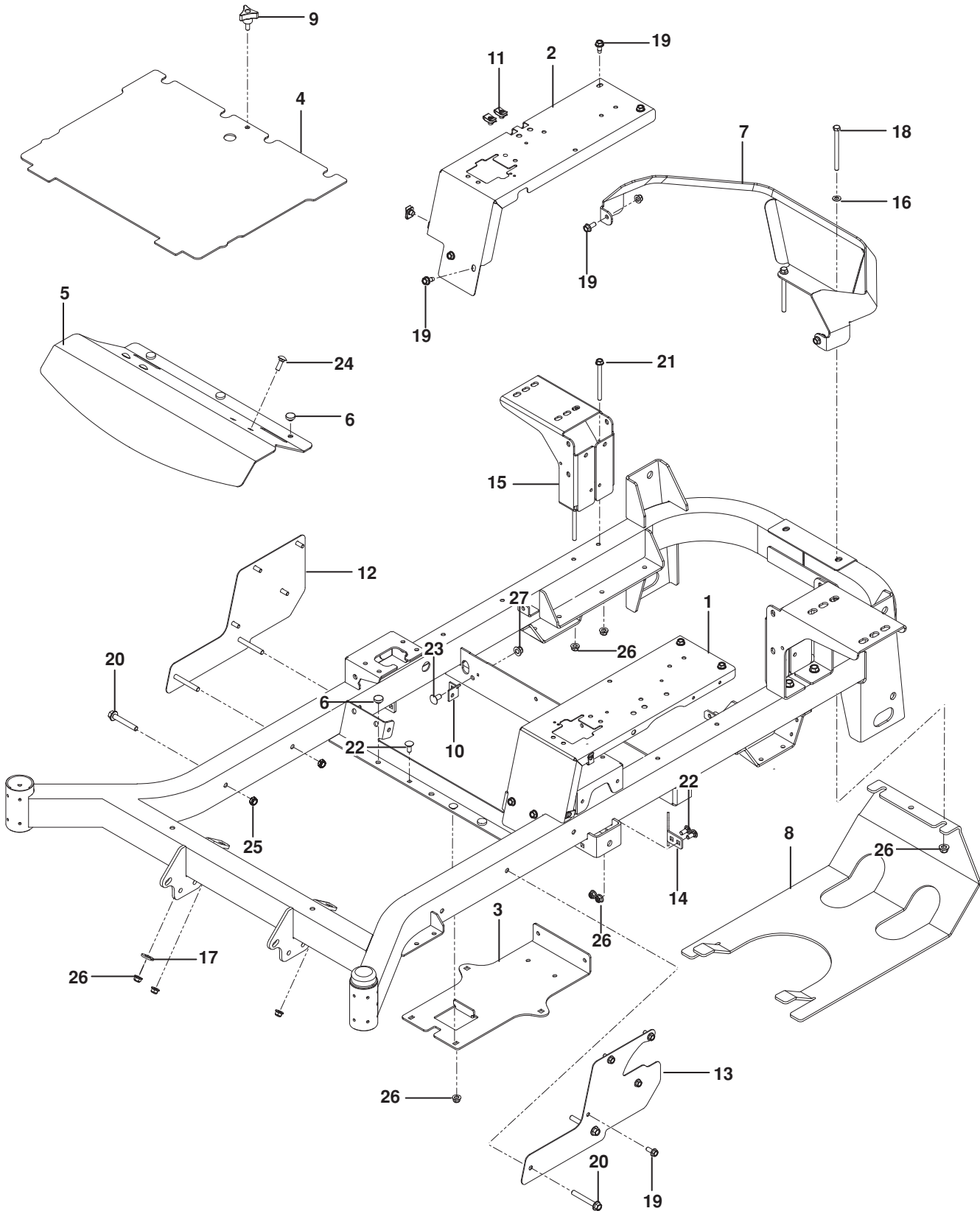
Parts Manual

M-ZT61 / 967177007



Please read the operator's manual carefully and make sure you understand the instructions before using the machine.

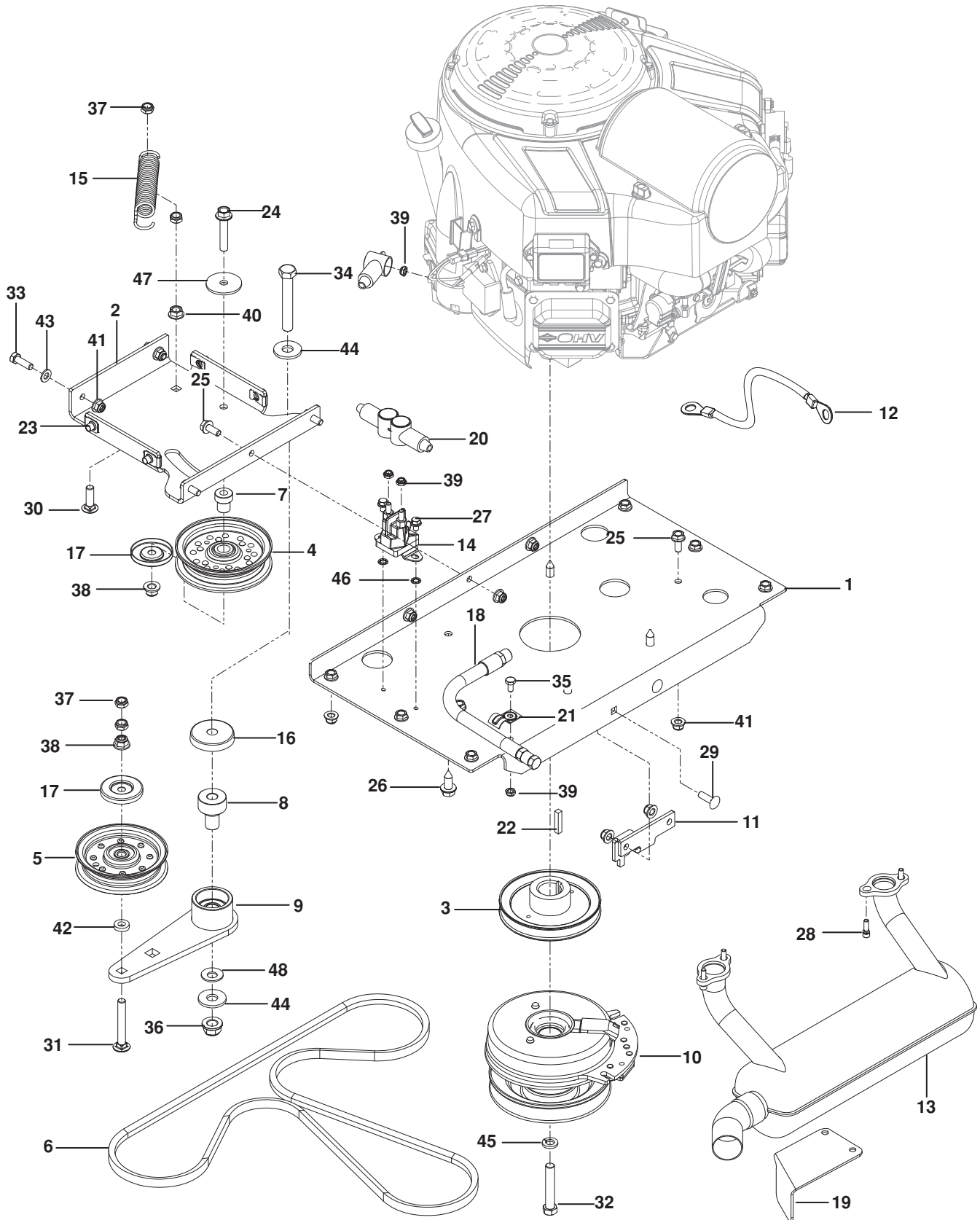
FRAME



FRAME

| ITEM | PART NO. | QTY. | DESCRIPTION | ITEM | PART NO. | QTY. | DESCRIPTION |
|------|----------------|------|-------------------------------|------|----------------|------|---|
| 1.. | 577 256802.... | 1 | PANEL, FILLER LT ORG | 15.. | 575 533602.... | 2 | MOUNT, TANK BLK |
| 2.. | 577 256902.... | 1 | PANEL, FILLER RT ORG | 16.. | 539 990188.... | 2 | WASHER $\frac{5}{16}$ SAE FLT |
| 3.. | 575 017202.... | 1 | PLATE, BATTERY ORG | 17.. | 539 109554.... | 1 | WASHER $\frac{1}{2}$ FLT |
| 4.. | 539 132744.... | 1 | PLATE w/ SAFTY DECAL ORG | 18.. | 539 102335.... | 2 | HCS $\frac{5}{16}$ -18 x 4 |
| 5.. | 539 132380.... | 1 | PLATE, FOOTREST ORG | 19.. | 525 464701.. | 16 | HHFS $\frac{5}{16}$ -18 x $\frac{3}{4}$ |
| 6.. | 539 102587.... | 7 | GROMMET, BUMPER | 20.. | 539 131781.... | 5 | HHFS $\frac{3}{8}$ -16 x $2\frac{3}{4}$ |
| 7.. | 575 348402.... | 1 | GUARD, REAR | 21.. | 539 131780.... | 4 | HHFS $\frac{5}{16}$ -18 x $3\frac{3}{4}$ |
| 8.. | 521 921805.... | 1 | GUARD, SKID | 22.. | 539 990316.... | 6 | RHSNB $\frac{5}{16}$ -18 x $\frac{3}{4}$ |
| 9.. | 539 104411.... | 1 | KNOB w/ STUD | 23.. | 539 109117.... | 2 | RHSNB $\frac{3}{8}$ -16 x $\frac{3}{4}$ |
| 10.. | 575 245202.... | 2 | BRACKET, DAMPENER BLK | 24.. | 539 990208.... | 3 | RHSNB $\frac{5}{16}$ -18 x 1 |
| 11.. | 539 104763.... | 8 | RETAINER-U TYPE | 25.. | 539 200282.... | 5 | NUT $\frac{3}{8}$ -16 HEX JAM NYLOC |
| 12.. | 577 259801.... | 1 | SIDE, LT BLK | 26.. | 539 112899.. | 17 | NUT $\frac{5}{16}$ -18 HEX FLG NYLOC |
| 13.. | 577 259701.... | 1 | SIDE, RT BLK | 27.. | 521 996501.... | 2 | NUT $\frac{3}{8}$ -16 HEX FLG NYLOC |
| 14.. | 505 256401.... | 2 | STOP, DECK | | | | |

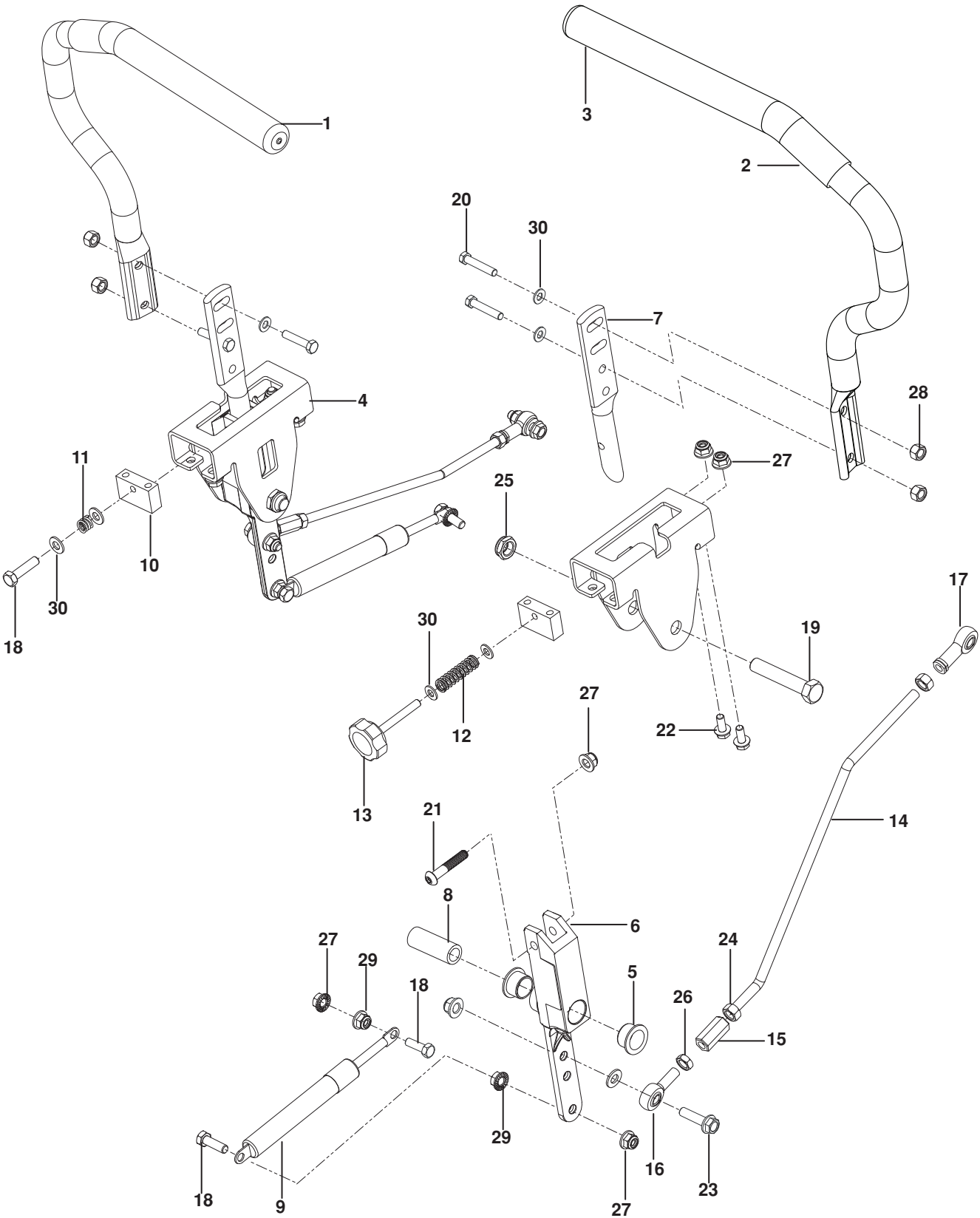
ENGINE PLATE



ENGINE PLATE

| ITEM | PART NO. | QTY. | DESCRIPTION | ITEM | PART NO. | QTY. | DESCRIPTION |
|------|----------------|------|--|----------------|----------------|---------------------|--|
| 1.. | 574 846302.... | 1 | PLATE, ENGINE, BLK | 26.. | 532 120616.... | 4 | HHFS $\frac{3}{8}$ -16 x 1 THD FRM |
| 2.. | 574 846402.... | 1 | PLATE, IDLER SUPPORT, BLK | 27.. | 539 990302.... | 2 | SCREW $\frac{1}{4}$ -20 x 8 THD FRM |
| 3.. | 574 811001.... | 1 | PULLEY, V, 1.125 BORE | 28.. | 532 183906.... | 4 | SCREW $\frac{5}{16}$ -18 x 1 SKT HD |
| 4.. | 539 976688.... | 1 | PULLEY, IDLER | 29.. | 539 107271.... | 2 | RHSSNB $\frac{5}{16}$ -18 x 1 |
| 5.. | 539 107620.... | 1 | PULLEY, IDLER SECONDARY | 30.. | 539 100413.... | 1 | RHSNB $\frac{3}{8}$ -16 x 1 $\frac{1}{4}$ |
| 6.. | 574 870901.... | 1 | BELT | 31.. | 539 130235.... | 1 | RHSNB $\frac{3}{8}$ -16 x 2 $\frac{3}{4}$ |
| 7.. | 525 435601.... | 1 | PIVOT, IDLER | 32.. | 539 991120.... | 1 | HCS $\frac{7}{16}$ -20 x 2 $\frac{1}{2}$ |
| 8.. | 510 206301.... | 1 | PIVOT, BEARING | 33.. | 539 990209.... | 2 | HCS $\frac{5}{16}$ -18 x 1 |
| 9.. | 510 041603.... | 1 | ARM, IDLER w/ BEARINGS | 34.. | 539 103433.... | 1 | HCS $\frac{1}{2}$ -13 x 3 $\frac{1}{4}$ |
| 10.. | 574 607001.... | 1 | CLUTCH, 200 FT-LB | 35.. | 539 990071.... | 1 | HCS $\frac{1}{4}$ -20 x $\frac{1}{2}$ |
| 11.. | 575 017302.... | 1 | STOP, CLUTCH BLK | 36.. | 521 991101.... | 1 | NUT $\frac{1}{2}$ -13 HEX FLANGE NYL |
| 12.. | 539 102757.... | 1 | CABLE, POSITIVE | 37.. | 539 200282.... | 4 | NUT $\frac{3}{8}$ -16 HEX JAM NYLOC |
| 13.. | 576 701801.... | 1 | MUFFLER, B&S CYCLONIC | 38.. | 521 996501.... | 2 | NUT $\frac{3}{8}$ -16 HEX FLANGE NYL |
| 14.. | 539 101714.... | 1 | SOLENOID | 39.. | 539 108120.... | 4 | NUT $\frac{1}{4}$ -20 HEX THIN |
| 15.. | 510 254401.... | 1 | SPRING, PUMP | 40.. | 539 990613.... | 1 | NUT $\frac{3}{8}$ -16 HEX WHIZLK |
| 16.. | 539 114662.... | 1 | SHIELD, DUST | 41.. | 539 112899.. | 15 | NUT $\frac{5}{16}$ -18 HEX FLANGE NYL |
| 17.. | 510 254501.... | 2 | SHIELD, DUST | 42.. | 539 109562.... | 1 | WASHER $\frac{3}{8}$ x $\frac{3}{4}$ |
| 18.. | 584 825501.... | 1 | HOSE, DRAIN | 43.. | 539 990188.... | 2 | WASHER $\frac{5}{16}$ SAE FLAT |
| 19.. | 579150901 | 1 | SHIELD, MUFFLER | 44.. | 539 109554.... | 2 | WASHER $\frac{1}{2}$ FLAT ZD |
| 20.. | 539 102759.... | 3 | INSULATOR | 45.. | 539 990247.... | 1 | WASHER $\frac{7}{16}$ SLW |
| 21.. | 539 101363.... | 1 | CLAMP | 46.. | 539 990053.... | 2 | WASHER $\frac{1}{4}$ INT TOOTH LK |
| 22.. | 539 912757.... | 1 | KEY $\frac{1}{4}$ SQ x 1 $\frac{1}{4}$ | 47.. | 539 111897.... | 1 | WASHER, SPECIAL |
| 23.. | 539 104763.... | 4 | RETAINER, U TYPE | 48.. | 539 115528.... | 1 | WASHER $\frac{1}{2}$ " BELLEVILLE |
| 24.. | 525 866201.... | 1 | HHFS $\frac{3}{8}$ -16 x 2 | NOT SHOWN | | | |
| 25.. | 525 464701.. | 11 | HHFS $\frac{5}{16}$ -18 x $\frac{3}{4}$ | 539 107516.... | 1 | PIGTAIL CV490S | |

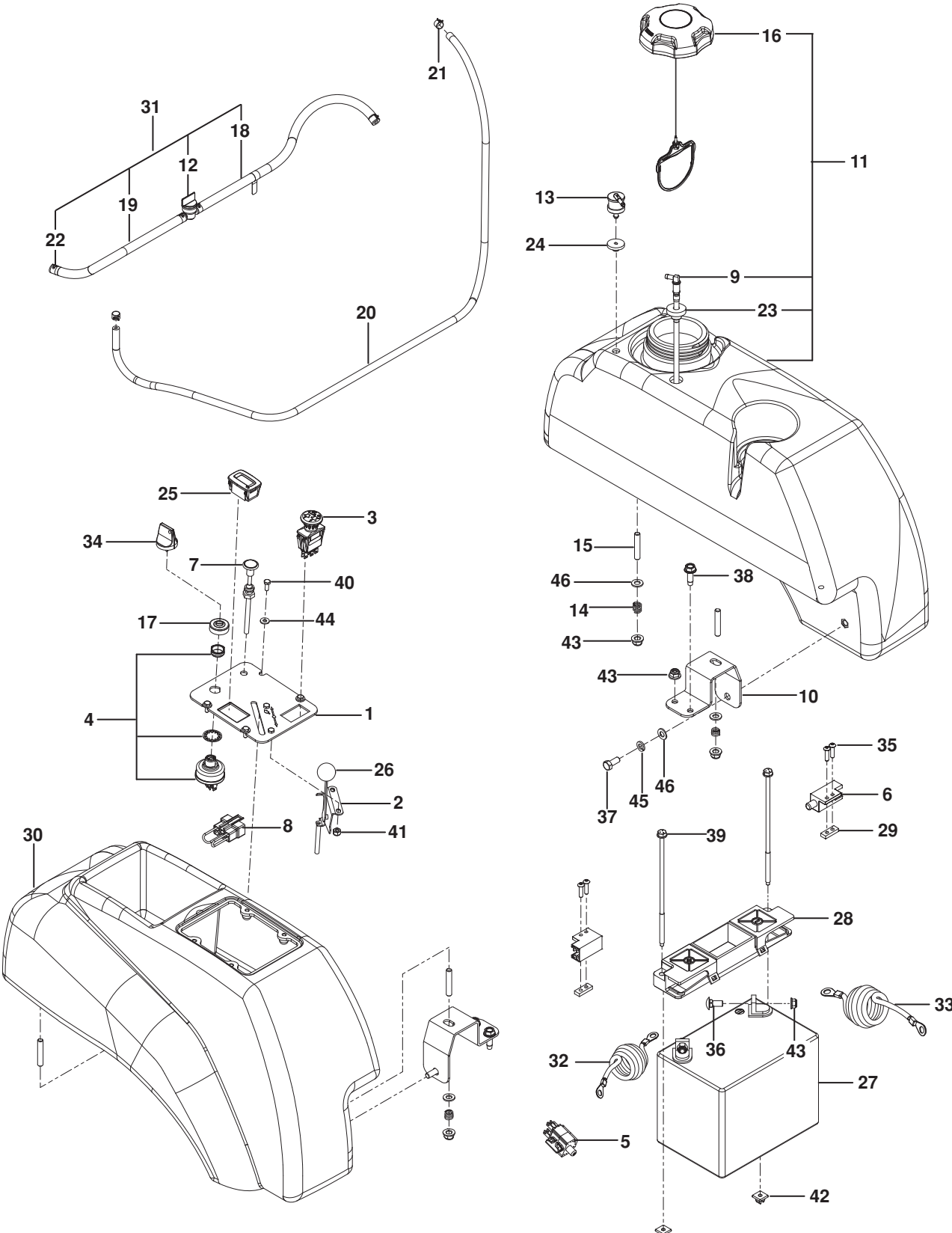
STEERING



STEERING

| ITEM | PART NO. | QTY. | DESCRIPTION | ITEM | PART NO. | QTY. | DESCRIPTION |
|------|----------------|------|-----------------------|------|----------------|------|--|
| 1.. | 539 132009.... | 1 | LEVER w/ GRIP RT | 16.. | 539 116690.... | 2 | ROD END LT |
| 2.. | 539 132010.... | 1 | LEVER w/ GRIP LT | 17.. | 539 115729.... | 2 | ROD END RT |
| 3.. | 539 130894.... | 2 | GRIP, FOAM | 18.. | 539 990627.... | 5 | HCS $\frac{5}{16}$ -18 x $1\frac{1}{4}$ |
| 4.. | 577 251701.... | 2 | BRACKET, CONTROL | 19.. | 539 101332.... | 2 | HCS $\frac{1}{2}$ -13 x $2\frac{3}{4}$ |
| 5.. | 539 131518.... | 4 | BEARING, FLANGE | 20.. | 539 976935.... | 4 | HCS $\frac{5}{16}$ -18 x $1\frac{1}{2}$ |
| 6.. | 576 140301.... | 2 | LEVER, CONTROL | 21.. | 576 850402.... | 2 | SCREW $\frac{5}{16}$ -18 X $1\frac{3}{4}$ BTN HD |
| 7.. | 577 420001.... | 2 | LEVER, HANDLE | 22.. | 525 464701.... | 8 | HHFS $\frac{5}{16}$ -18 X $\frac{3}{4}$ |
| 8.. | 577 252401.... | 2 | SPACER, PIVOT CONTROL | 23.. | 525 544001.... | 4 | HHFS $\frac{5}{16}$ -18 x $1\frac{1}{4}$ TPBLT |
| 9.. | 539 102720.... | 2 | DAMPENER | 24.. | 539 990223.... | 4 | NUT $\frac{5}{16}$ -24 HEX |
| 10.. | 577 251801 | 2 | BLOCK, TRACKING | 25.. | 539 108010.... | 2 | NUT $\frac{1}{2}$ -13 HEX JAM NYL GR2 |
| 11.. | 539 102845.... | 1 | SPRING | 26.. | 539 991073.... | 2 | NUT $\frac{5}{16}$ -24 HEX JAM LH |
| 12.. | 576 850301.... | 1 | SPRING | 27.. | 539 112899.. | 10 | NUT $\frac{5}{16}$ -18 HEX FLG NYLOC |
| 13.. | 539 131799.... | 1 | KNOB | 28.. | 539 990717.... | 6 | NUT $\frac{5}{16}$ -18 HEX NYLOC |
| 14.. | 574 811401.... | 2 | ROD, MOTION CONTROL | 29.. | 539 990585.... | 4 | NUT $\frac{5}{16}$ -18 HEX WHIZLK |
| 15.. | 539 116689.... | 2 | COUPLER, ROD END | 30.. | 539 990188.. | 12 | WASHER $\frac{5}{16}$ SAE FLT |

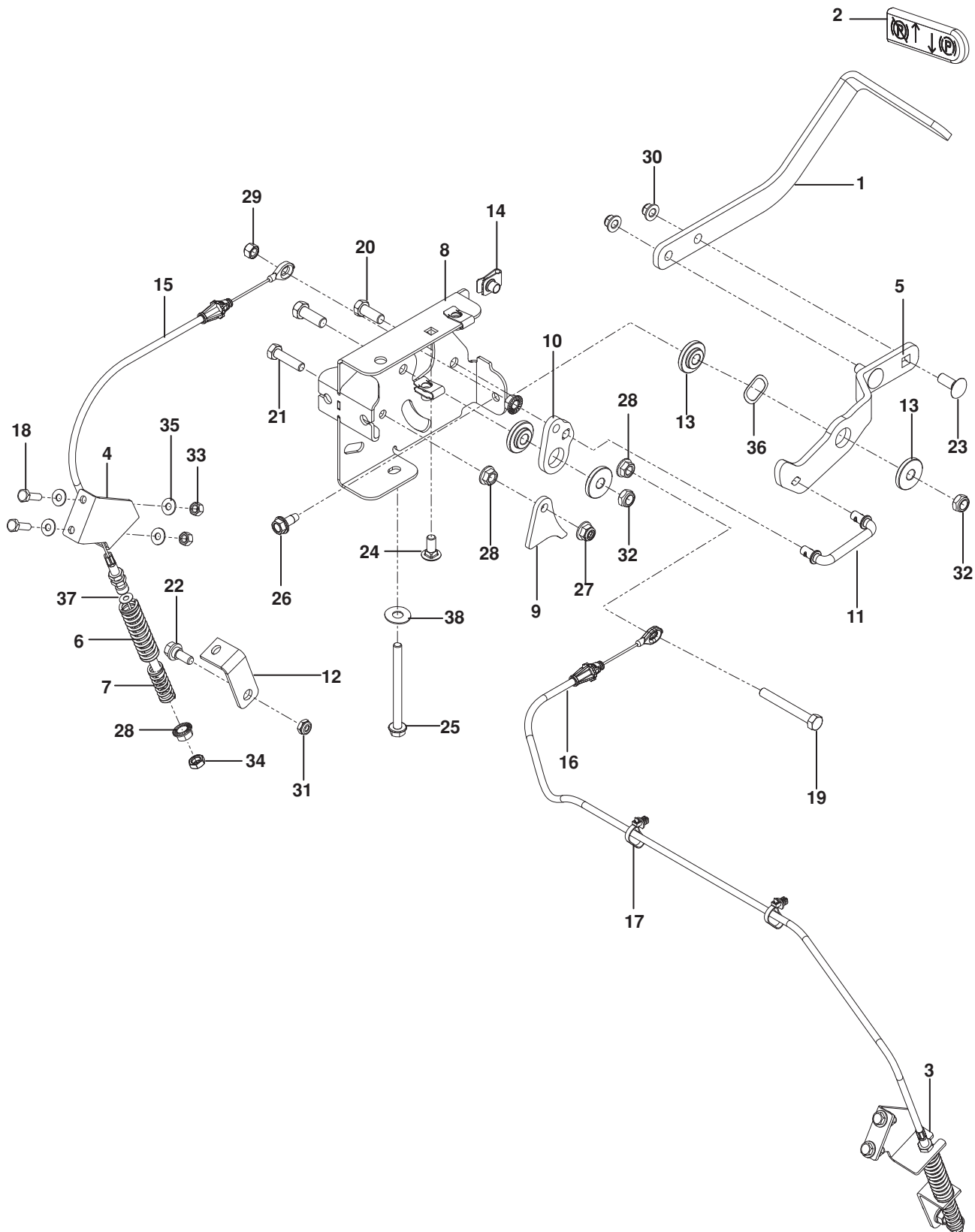
IGNITION



IGNITION

| ITEM | PART NO. | QTY. | DESCRIPTION | ITEM | PART NO. | QTY. | DESCRIPTION |
|------|----------------|------|-------------------------------|----------------|----------------|--------------------|---------------------------------|
| 1.. | 574 841204.... | 1 | PLATE, CONSOLE, BLK | 26.. | 539 133049.... | 1 | KNOB |
| 2.. | 539 112438.... | 1 | CABLE, THROTTLE | 27.. | 539 102436.... | 1 | BATTERY |
| 3.. | 539 131627.... | 1 | SWITCH, PTO 10 AMP | 28.. | 539 107628.... | 1 | BATTERY HOLD DOWN |
| 4.. | 574 455401.... | 1 | SWITCH, IGNITION | 29.. | 539 102678.... | 2 | PLATE, TAPPED |
| 5.. | 539 113792.... | 1 | SWITCH, BRAKE | 30.. | 539 107593.... | 1 | CONSOLE, RT GRY |
| 6.. | 532 109553.... | 2 | SWITCH, INTERLOCK | 31.. | 576 547801.... | 1 | ASSY, FUEL LINE |
| 7.. | 574 206903.... | 1 | CHOKE CONTROL | 32.. | 539 104974.... | 1 | CABLE, POSITIVE 31" |
| 8.. | 575 321001.... | 1 | PLUG, TIMER | 33.. | 539 107645.... | 1 | CABLE, NEGATIVE 32" |
| 9.. | 576 469201.... | 1 | FITTING, FUEL | 34.. | 574 455501.... | 1 | KEY, IGNITION |
| 10.. | 539 131671.... | 2 | SUPPORT, TANK, BLK | 35.. | 574 822701.... | 4 | SCREW #10-24 x 3/4 SKT HD |
| 11.. | 578 368102.... | 1 | TANK ASSY LT GRY | 36.. | 539 990316.... | 2 | RHSNB 5/16-18 x 3/4 |
| 12.. | 539 916325.... | 1 | VALVE, FUEL | 37.. | 539 976934.... | 2 | HCS 5/16-18 x 3/4 |
| 13.. | 576 618101.... | 1 | VALVE, FUEL CHECK | 38.. | 539 113226.... | 3 | BOLT 5/16-18 x 1 THD FRM |
| 14.. | 539 102845.... | 6 | SPRING | 39.. | 539 107632.... | 2 | BOLT 1/4 x 7 1/2 |
| 15.. | 539 102502.... | 6 | STUD 5/16-18 | 40.. | 539 990411.... | 6 | SCREW #10-24 x 1/2 SLT |
| 16.. | 575 018101.... | 1 | FUEL CAP w /TETHER | 41.. | 574 822701.... | 4 | SCREW #10-24 x 3/4 SKT HD |
| 17.. | 539 103178.... | 1 | CAP, IGNITION SWITCH NUT | 42.. | 539 107629.... | 2 | NUT 1/4 PUSH NYLON |
| 18.. | 539 107765.... | 1 | HOSE, FUEL 26" | 43.. | 539 112899.. | 12 | NUT 5/16-18 HEX FLANGE NYL |
| 19.. | 539 932956.... | 1 | HOSE, FUEL 10" | 44.. | 539 105408.... | 4 | WASHER #10 |
| 20.. | 576 660602.... | 1 | HOSE 3/16 VAPOR 48" | 45.. | 539 990187.... | 2 | WASHER 5/16 SLW |
| 21.. | 575 436501.... | 2 | CLAMP, HOSE | 46.. | 539 990188.... | 8 | WASHER 5/16 SAE |
| 22.. | 539 912222.... | 4 | CLAMP, HOSE | NOT SHOWN | | | |
| 23.. | 539 105245.... | 1 | GROMMET, RUBBER | 575 320901.... | 1 | HARNESS, MAIN | |
| 24.. | 576 618201.... | 1 | GROMMET, CHECK VALVE | | | | |
| 25.. | 532 401763.... | 1 | HOUR METER | | | | |

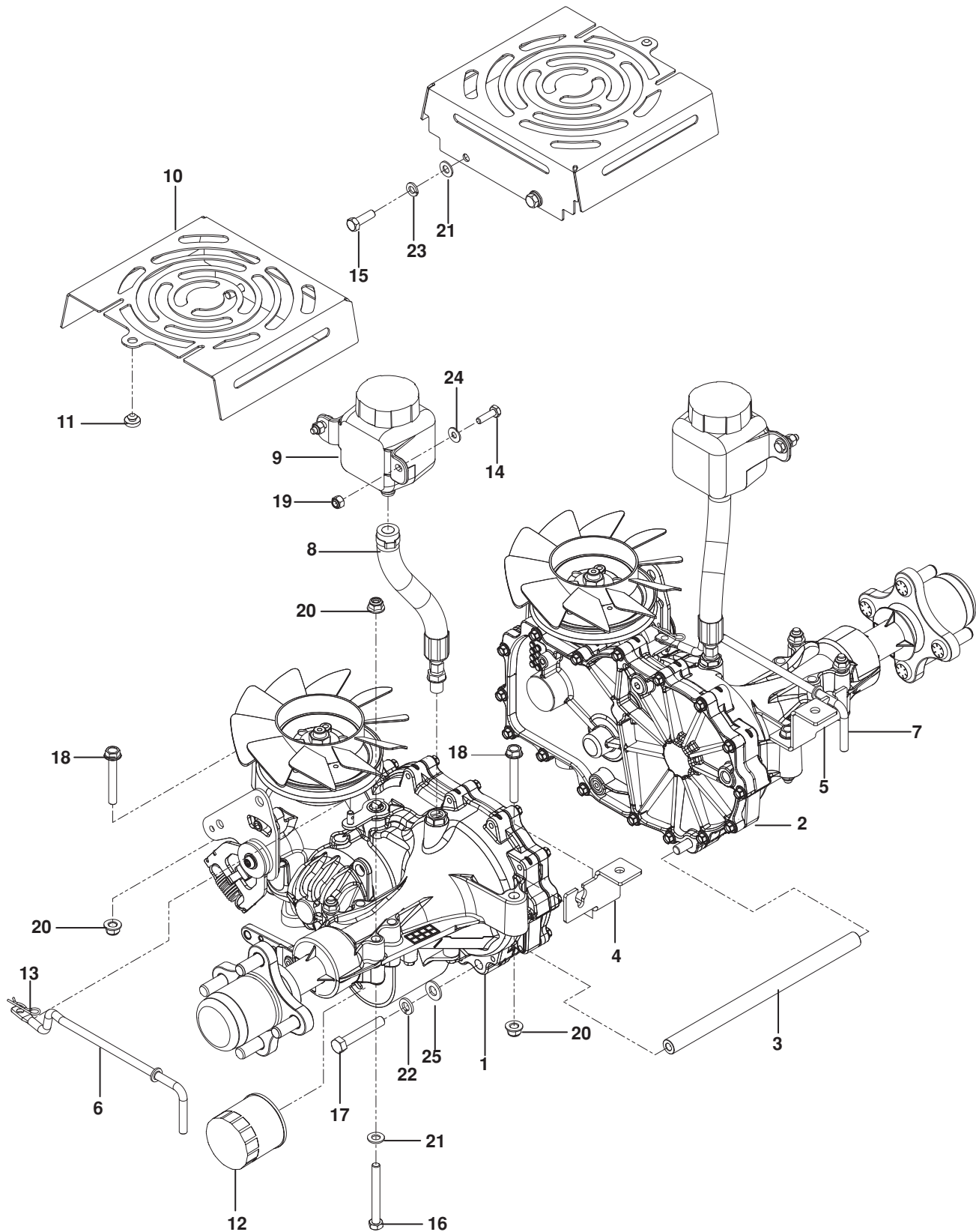
PARKING BRAKE



PARKING BRAKE

| ITEM | PART NO. | QTY. | DESCRIPTION | ITEM | PART NO. | QTY. | DESCRIPTION |
|------|----------------|------|---|------|----------------|------|---|
| 1.. | 539 132151.... | 1 | ARM, BRAKE | 20.. | 539 990563.... | 2 | HCS $\frac{3}{8}$ -16 x 1 |
| 2.. | 539 105036.... | 1 | GRIP, BRAKE HANDLE | 21.. | 539 990209.... | 1 | HCS $\frac{5}{16}$ -18 x 1 |
| 3.. | 575 229602.... | 1 | BRACKET, RT BLK | 22.. | 539 110303.... | 2 | BOLT $\frac{5}{16}$ SHOULDER |
| 4.. | 575 229702.... | 1 | BRACKET, LT BLK | 23.. | 539 990645.... | 2 | RHSNB $\frac{3}{8}$ -16 x 1 |
| 5.. | 539 132423.... | 1 | LEVER, BRAKE | 24.. | 539 990316.... | 1 | RHSNB $\frac{5}{16}$ -18 x $\frac{3}{4}$ |
| 6.. | 575 230201.... | 2 | SPRING, RETURN | 25.. | 539 131780.... | 1 | HHFS $\frac{5}{16}$ -18 x $3\frac{3}{4}$ |
| 7.. | 575 230301.... | 2 | SPRING, ENGAGEMENT | 26.. | 539 107475.... | 1 | BOLT $\frac{5}{16}$ -18 x $\frac{3}{4}$ THD FRM |
| 8.. | 539 132158.... | 1 | MOUNT, BRAKE | 27.. | 539 112899.... | 4 | NUT $\frac{5}{16}$ -18 FLANGE NYLOC |
| 9.. | 539 132154.... | 1 | ACTUATOR, SWITCH | 28.. | 539 990585.... | 5 | NUT $\frac{5}{16}$ -18 HEX WHIZLK |
| 10.. | 539 132153.... | 1 | BELLCRANK, BRAKE | 29.. | 539 990717.... | 1 | NUT $\frac{5}{16}$ -18 HEX NYLOC |
| 11.. | 539 132424.... | 1 | LINKAGE, BRAKE | 30.. | 521 996501.... | 2 | NUT $\frac{3}{8}$ -16 HEX FLG NYLOC |
| 12.. | 575 229802.... | 2 | BRACKET, BRAKE | 31.. | 539 115617.... | 2 | NUT $\frac{5}{16}$ HEX NYLOC |
| 13.. | 539 132161.... | 4 | BUSHING, BRAKE | 32.. | 539 200282.... | 2 | NUT $\frac{3}{8}$ -16 HEX JAM NYLOC |
| 14.. | 539 104763.... | 3 | RETAINER, U TYPE $\frac{5}{16}$ -18 | 33.. | 539 976978.... | 4 | NUT $\frac{1}{4}$ -20 HEX NYLOC |
| 15.. | 539 132173.... | 1 | CABLE, BRAKE SHORT | 34.. | 539 107897.... | 2 | NUT $\frac{5}{16}$ -18 HEX JAM |
| 16.. | 539 132174.... | 2 | CABLE, BRAKE LONG | 35.. | 539 990055.... | 8 | WASHER $\frac{1}{4}$ SAE FLT |
| 17.. | 505 280001.... | 2 | TIE w/ CLIP | 36.. | 539 133007.... | 1 | WASHER .825 WAVE |
| 18.. | 539 990643.... | 4 | HCS $\frac{1}{4}$ -20 x $\frac{7}{8}$ | 37.. | 539 990122.... | 2 | WASHER $\frac{3}{8}$ SAE |
| 19.. | 539 108396.... | 1 | HCS $\frac{5}{16}$ -18 x $2\frac{1}{2}$ TPBLT | 38.. | 539 109554.... | 1 | WASHER $\frac{1}{2}$ FLT |

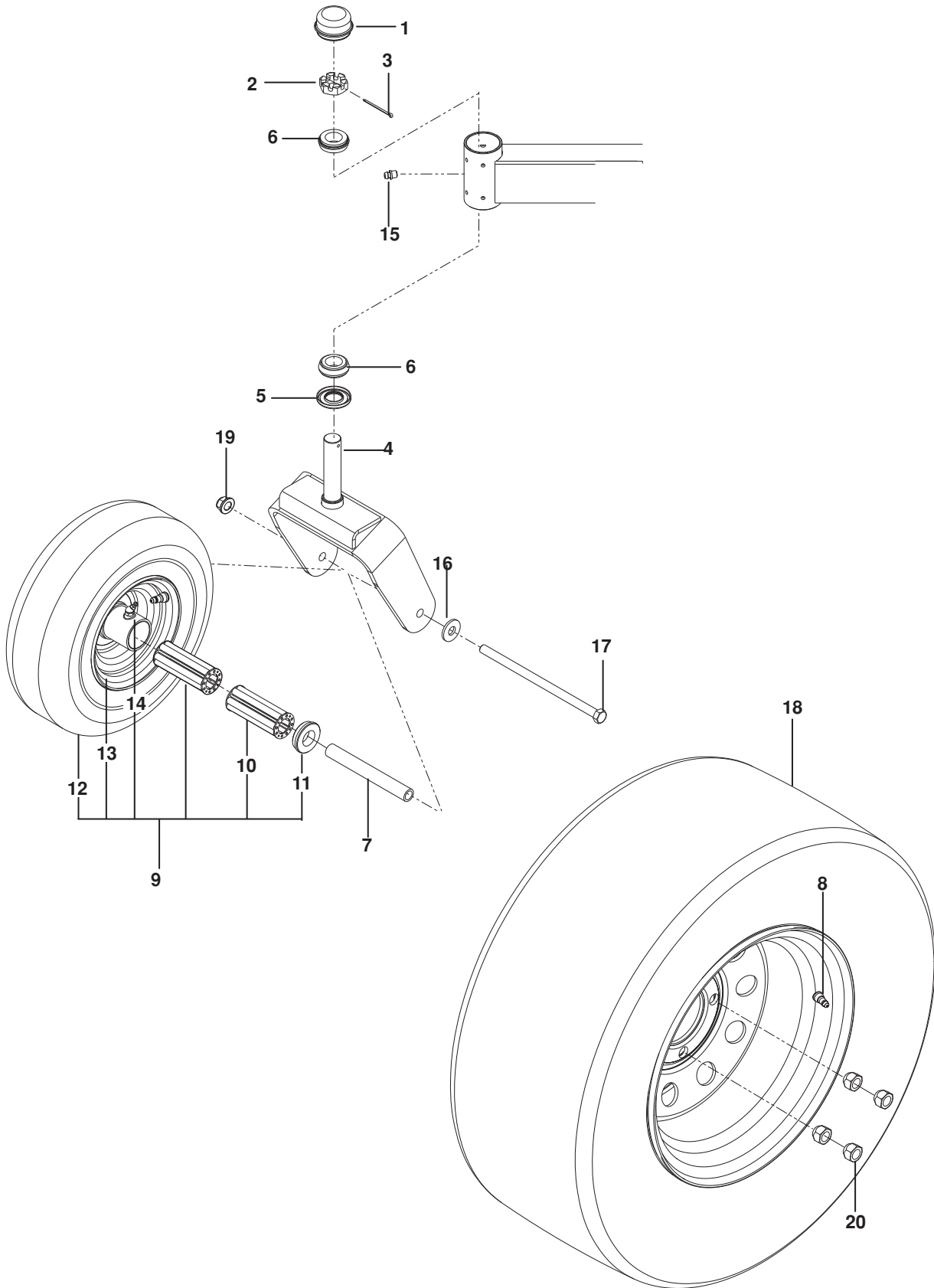
HYDRAULIC PUMP-MOTOR



HYDRAULIC PUMP-MOTOR

| ITEM | PART NO. | QTY. | DESCRIPTION | ITEM | PART NO. | QTY. | DESCRIPTION |
|------|----------------|------|----------------------------|------|----------------|------|---------------------------------|
| 1.. | 574 569101.... | 1 | TRANS, ZT-3400, LT | 14.. | 539 990643.... | 4 | HCS 1/4-20 x 7/8 |
| 2.. | 574 569102.... | 1 | TRANS, ZT-3400, RT | 15.. | 539 990209.... | 4 | HCS 5/16-18 x 1 |
| 3.. | 574 868501.... | 1 | TUBE, SPACER, 3400 | 16.. | 539 101721.... | 4 | HCS 5/16-18 x 2 3/4 |
| 4.. | 575 017102.... | 1 | BRACKET, TRANS, LT | 17.. | 539 108551.... | 2 | HCS 3/8-16 x 2 1/2 GR8 |
| 5.. | 575 017002.... | 1 | BRACKET, TRANS, RT | 18.. | 574 233801.... | 4 | HHFS 5/16-18 x 2 1/4 |
| 6.. | 539 131616.... | 1 | LINKAGE, LEFT BYPASS | 19.. | 539 976978.... | 4 | NUT 1/4-20 HEX NYLOC |
| 7.. | 539 131618.... | 1 | LINKAGE, RIGHT BYPASS | 20.. | 539 112899.... | 8 | NUT 5/16-18 HEX FLANGE NYL |
| 8.. | 574 892101.... | 2 | HOSE, EXPANSION | 21.. | 539 990188.... | 8 | WASHER 5/16 SAE FLAT |
| 9.. | 574 811301.... | 2 | TANK, EXPANSION | 22.. | 539 990118.... | 2 | WASHER 3/8 SPLT LK |
| 10.. | 575 778202.... | 2 | COVER, FAN | 23.. | 539 990187.... | 4 | WASHER 5/16 SLW |
| 11.. | 539 102587.... | 2 | BUMPER | 24.. | 539 990055.... | 4 | WASHER 1/4 FLAT SAE |
| 12.. | 539 113466.... | 2 | FILTER, HYDRO | 25.. | 539 990122.... | 2 | WASHER 3/8 SAE FLT |
| 13.. | 539 976988.... | 2 | HAIRPIN COTTER | | | | |

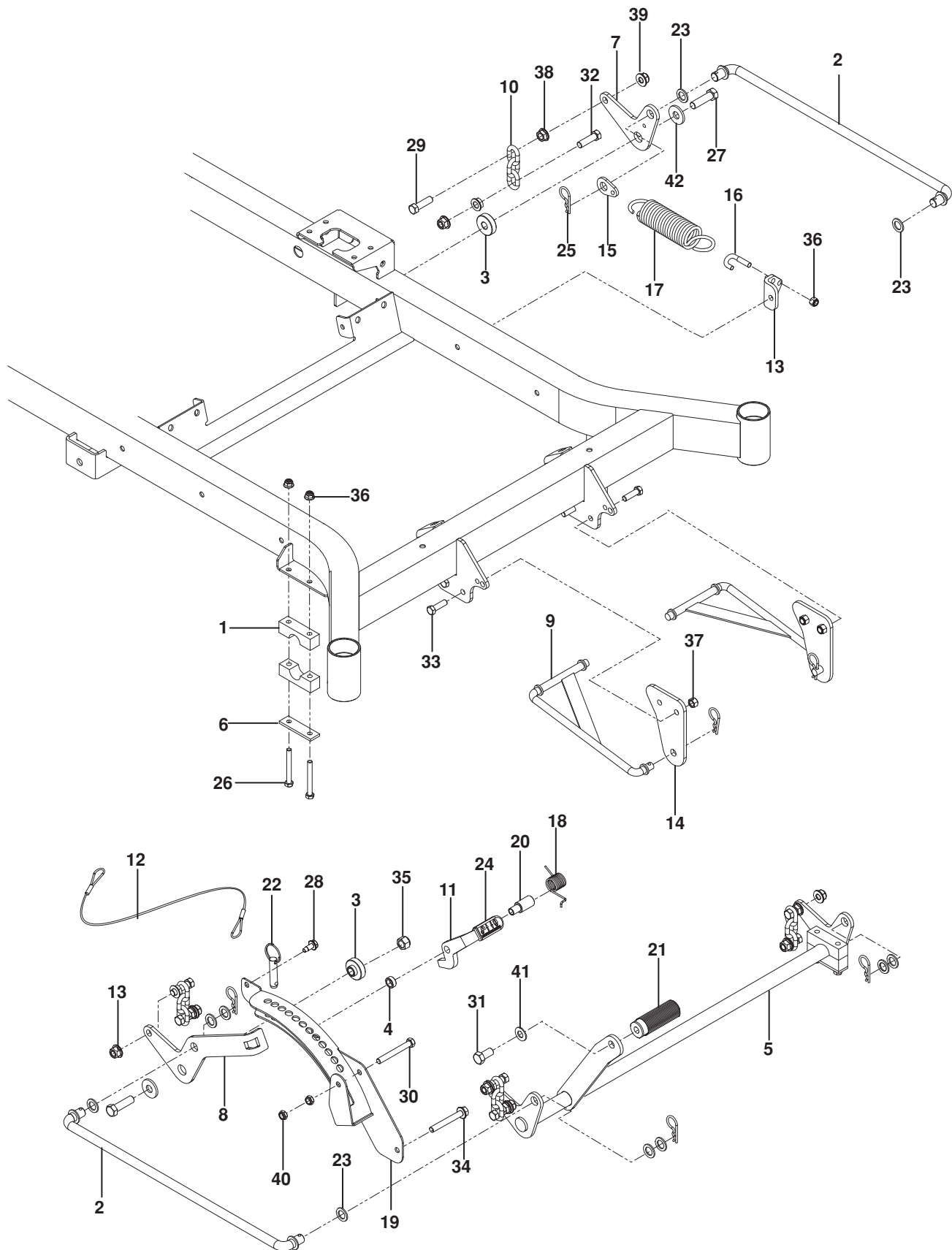
WHEELS



WHEELS

| ITEM | PART NO. | QTY. | DESCRIPTION | ITEM | PART NO. | QTY. | DESCRIPTION |
|------|----------------|------|----------------------------|------|----------------|------|-------------------------------|
| 1.. | 539 102535.... | 2 | CAP, GREASE | 11.. | 539 102484.... | 4 | BEARING, FLANGED |
| 2.. | 539 102852.... | 2 | SLOTTED JAM NUT 1"-14 | 12.. | 575 622201.... | 2 | TIRE 13 x 6.5 |
| 3.. | 539 102889.... | 2 | COTTER PIN 1/8 x 2 | 13.. | 575 622101.... | 2 | RIM, CASTER TIRE |
| 4.. | 575 329202.... | 2 | YOKE, CASTER, ORG | 14.. | 539 103300.... | 2 | ZERK |
| 5.. | 539 102851.... | 2 | SEAL | 15.. | 539 101474.... | 2 | ZERK |
| 6.. | 539 102543.... | 4 | BEARING | 16.. | 539 109554.... | 2 | WASHER 1/2 FLAT |
| 7.. | 575 334901.... | 2 | SPACER, PIVOT | 17.. | 539 105517.... | 2 | HCS 1/2-13 x 9 1/2 |
| 8.. | 539 912234.... | 2 | AIR VALVE | 18.. | 521 964101.... | 2 | WHEEL ASSY, 23 x 10.5-12 |
| 9.. | 575 348701.... | 2 | WHEEL ASSY 13 x 6.5 | 19.. | 521 991101 ... | 2 | NUT 1/2-13 HEX FLG NYLOC |
| 10.. | 539 105307.... | 4 | BEARING 3 1/4 CAGE | 20.. | 539 101173.... | 8 | NUT 1/2-20 LUG |

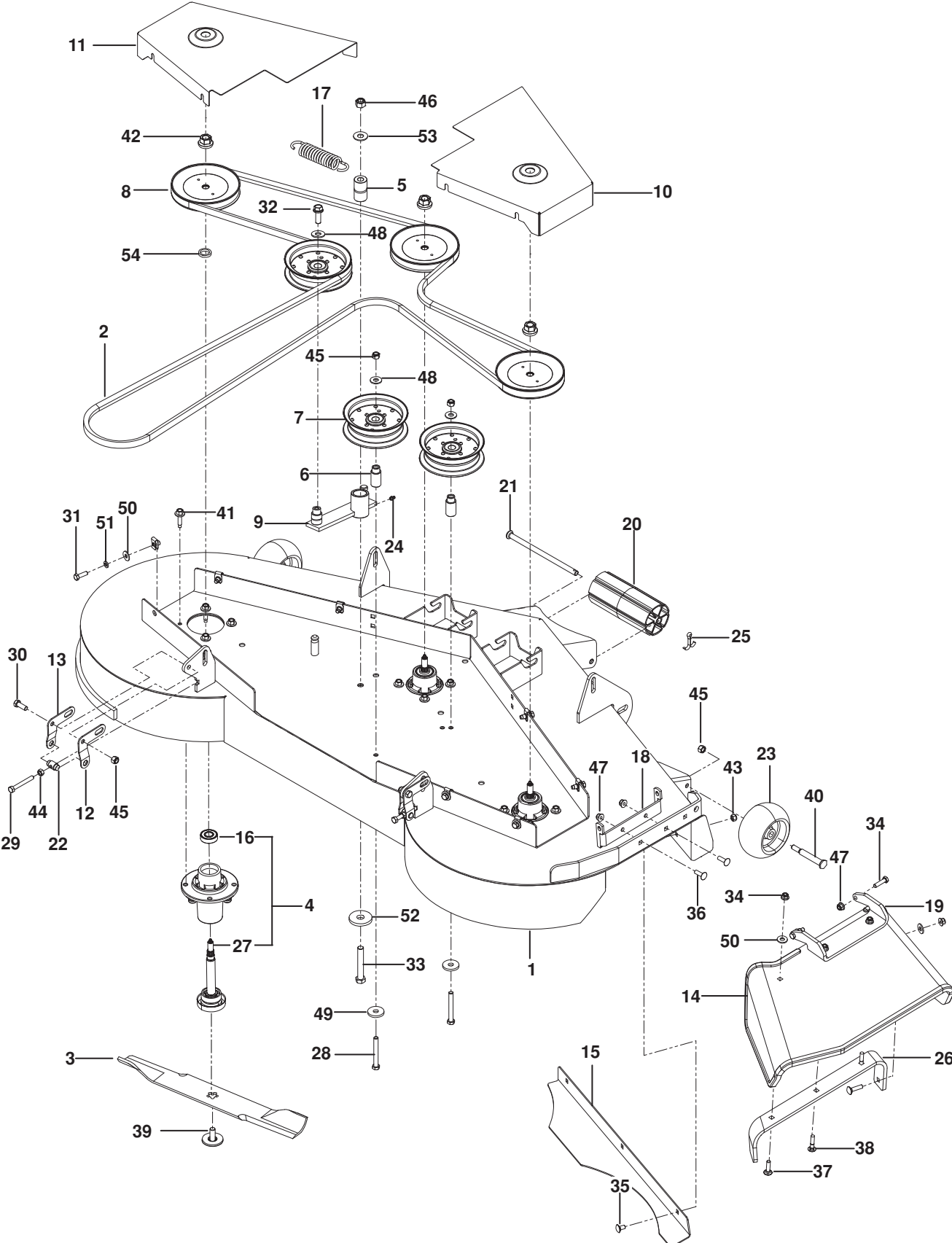
MOWER LIFT / DECK LIFT



MOWER LIFT / DECK LIFT

| ITEM | PART NO. | QTY. | DESCRIPTION | ITEM | PART NO. | QTY. | DESCRIPTION |
|------|-----------------|------|-------------------------|------|-----------------|------|-----------------------------|
| 1.. | 539 104808....4 | | PILLOW BLOCK | 22.. | 539 132182....1 | | PIN 1/2 x 1 1/2 DETENT RING |
| 2.. | 539 110808....2 | | LINK, DECK LIFT | 23.. | 539 991043..10 | | BUSHING .625 |
| 3.. | 539 118937....2 | | SPACER, IDLER | 24.. | 539 132851....1 | | GRIP |
| 4.. | 539 131861....1 | | SPACER | 25.. | 539 115501....6 | | PIN, COTTER 1 3/4 |
| 5.. | 581 215202....1 | | SHAFT, FRONT LIFT BLK | 26.. | 539 101721....4 | | HCS 5/16-18 x 2 3/4 |
| 6.. | 539 104807....2 | | REINFORCEMENT BAR | 27.. | 539 108181....2 | | HCS 1/2-13 x 1 3/4 GR 8 |
| 7.. | 539 131897....1 | | BELLCRANK, RR, LIFT BLK | 28.. | 539 107475....1 | | BOLT 5/16-18 x 3/4 THD FRM |
| 8.. | 539 131853....1 | | BELLCRANK, RR, RT BLK | 29.. | 539 101175....4 | | HCS 7/16-14 x 1 1/2 |
| 9.. | 539 112223....2 | | LINKAGE, STRUT | 30.. | 539 101341....1 | | HCS 3/8-16 x 3 |
| 10.. | 539 109693....4 | | LIFT CHAIN-3 LINK | 31.. | 539 990646....1 | | HCS 1/2-13 x 1 3/4 |
| 11.. | 539 131566....1 | | LATCH, TRANSPORT | 32.. | 539 108073....4 | | HCS 7/16-14 x 1 3/4 |
| 12.. | 539 105059....1 | | LANYARD | 33.. | 539 976941....4 | | HCS 3/8-16 X 1 1/4 |
| 13.. | 539 131791....1 | | MOUNT, SPRING | 34.. | 539 131781....1 | | HHFS 3/8-16 x 2 3/4 |
| 14.. | 539 132017....2 | | MOUNT, STRUT | 35.. | 539 101331....2 | | NUT 1/2 HEX NYLOC |
| 15.. | 539 131792....1 | | TAB, SPRING | 36.. | 539 112899....5 | | NUT 5/16-18 HEX FLG NYLOC |
| 16.. | 539 112896....1 | | J-BOLT | 37.. | 539 976979....4 | | NUT 3/8-16 HEX NYLOC |
| 17.. | 539 102642....1 | | SPRING | 38.. | 539 102582....8 | | NUT 7/16-14 HEX WHIZ LK |
| 18.. | 539 132734....1 | | SPRING, TORSION | 39.. | 539 132019....8 | | NUT 7/16-14 HEX WHIZ LK |
| 19.. | 539 131850....1 | | HEIGHT ADJUST, DECK | 40.. | 539 200282....2 | | NUT 3/8-16 HEX JAM NYLOC |
| 20.. | 539 131860....1 | | PIVOT LATCH, TRANSPORT | 41.. | 539 102843....1 | | WASHER 7/16 SPRING |
| 21.. | 510 408301....1 | | PEDAL, FOOT | 42.. | 539 109554....2 | | WASHER 1/2 FLT |

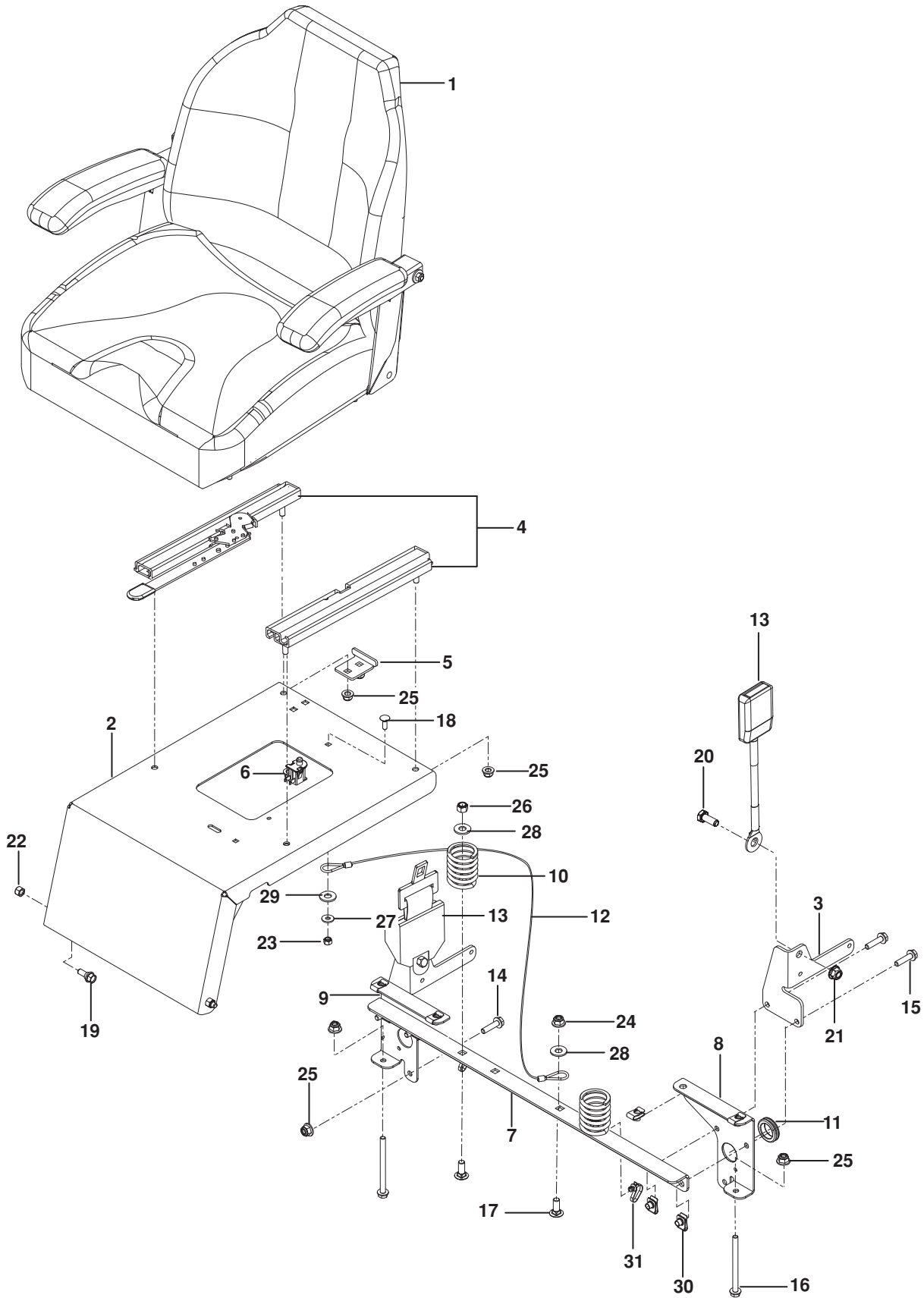
MOWER DECK / CUTTING DECK



MOWER DECK / CUTTING DECK

| ITEM | PART NO. | QTY. | DESCRIPTION | ITEM | PART NO. | QTY. | DESCRIPTION |
|------|----------------|------|---|------|----------------|------|---|
| 1.. | 581 505401.... | 1 | DECK w/ SAFETY DECALS | 28.. | 539 101341.... | 2 | HCS $\frac{3}{8}$ -16 x 3 |
| 2.. | 539 104335.... | 1 | BELT, DECK | 29.. | 539 108396.... | 2 | HCS $\frac{5}{16}$ -18 x 2 $\frac{1}{2}$ TPBLT |
| 3.. | 510 417901.... | 3 | BLADE, 21" | 30.. | 539 990563.... | 2 | HCS $\frac{3}{8}$ -16 x 1 |
| 4.. | 539 131898.... | 3 | HOUSING ASSEMBLY | 31.. | 539 976934.... | 8 | HCS $\frac{5}{16}$ -18 x $\frac{3}{4}$ |
| 5.. | 539 103427.... | 1 | BUSHING, PIVOT | 32.. | 539 990582.... | 1 | HCS $\frac{3}{8}$ -16 x 1 WHIZLK |
| 6.. | 539 112169.... | 2 | BUSHING, IDLER | 33.. | 539 103433.... | 1 | HCS $\frac{1}{2}$ -13 x 3 $\frac{1}{4}$ |
| 7.. | 539 132728.... | 3 | PULLEY, IDLER | 34.. | 539 990627.... | 2 | HCS $\frac{5}{16}$ -18 x 1 $\frac{1}{4}$ |
| 8.. | 539 113300.... | 3 | PULLEY | 35.. | 539 990799.... | 3 | RHSNB $\frac{5}{16}$ -18 x $\frac{5}{8}$ |
| 9.. | 539 112198.... | 1 | ARM, IDLER | 36.. | 539 107271.... | 2 | RHSNB $\frac{5}{16}$ -18 x 1 |
| 10.. | 539 113319.... | 1 | BELT SHIELD, RT ORG | 37.. | 539 100472.... | 2 | RHSNB $\frac{5}{16}$ -18 x 1 $\frac{1}{4}$ |
| 11.. | 539 113322.... | 1 | BELT SHIELD, LT ORG | 38.. | 539 102933.... | 2 | RHSNB $\frac{5}{16}$ -18 x 1 $\frac{1}{2}$ |
| 12.. | 539 131857.... | 2 | PITCH ADJUST, RT | 39.. | 532 193003.... | 3 | BOLT $\frac{7}{16}$ BLADE |
| 13.. | 539 131858.... | 2 | PITCH ADJUST, LT | 40.. | 539 107608.... | 2 | BOLT, SHOULDER |
| 14.. | 539 130901.... | 1 | CHUTE, DISCHARGE | 41.. | 539 107630.... | 12 | SCREW, WSH HEAD |
| 15.. | 539 113317.... | 1 | PLATE, CONFINEMENT | 42.. | 539 107590.... | 3 | NUT $\frac{9}{16}$ TOP CENTER LOCK |
| 16.. | 539 112050.... | 3 | BEARING, BALL | 43.. | 539 990717.... | 3 | NUT $\frac{5}{16}$ -18 HEX NYLOC |
| 17.. | 539 103256.... | 1 | SPRING | 44.. | 539 990196.... | 2 | NUT $\frac{5}{16}$ -18 HEX |
| 18.. | 581 606102.... | 1 | BRACKET ORG | 45.. | 539 976979.... | 6 | NUT $\frac{3}{8}$ -16 HEX NYLOC |
| 19.. | 539 130917.... | 1 | BRACKET | 46.. | 539 101331.... | 1 | NUT $\frac{1}{2}$ HEX NYLOC |
| 20.. | 532 176066.... | 1 | ROLLER, NOSE | 47.. | 539 112899.... | 8 | NUT $\frac{5}{16}$ -18 HEX FLG NYLOC |
| 21.. | 532 179127.... | 1 | ROD, ROLLER, NOSE | 48.. | 539 990517.... | 3 | WASHER $\frac{3}{8}$ FLAT STD |
| 22.. | 539 131859.... | 2 | TRUNION, PITCH | 49.. | 539 106504.... | 2 | WASHER, HEAVY |
| 23.. | 539 107610.... | 2 | WHEEL, GAUGE | 50.. | 539 990692.. | 11 | WASHER $\frac{5}{16}$ STD FLT |
| 24.. | 539 976998.... | 1 | ZERK | 51.. | 539 109600.... | 8 | WASHER $\frac{5}{16}$ SPRING |
| 25.. | 539 990365.... | 2 | PIN $\frac{1}{8}$ x $\frac{3}{4}$ COTTER | 52.. | 539 102243.... | 1 | WASHER, SUPPORT |
| 26.. | 539 130920.... | 1 | REINFORCEMENT, BRKT | 53.. | 539 990550.... | 1 | WASHER $\frac{1}{2}$ STD FLT |
| 27.. | 532 187291.... | 3 | SHAFT | 54.. | 539 107520.... | 3 | WASHER-SPACER |

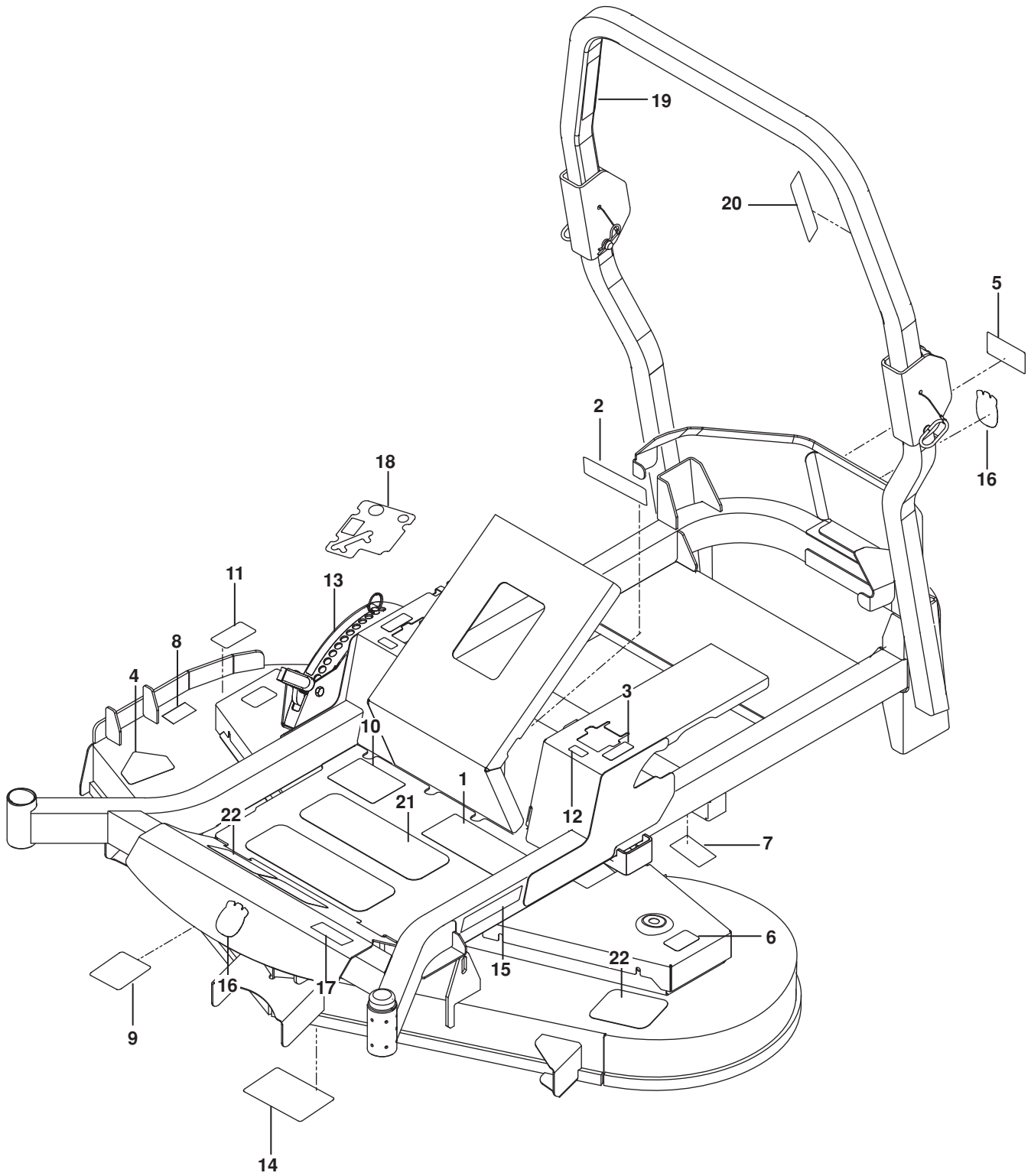
SEAT



SEAT

| ITEM | PART NO. | QTY. | DESCRIPTION | ITEM | PART NO. | QTY. | DESCRIPTION |
|------|----------------|------|---|------|----------------|------|---|
| 1.. | 576 702001.... | 1 | SEAT ASSY | 16.. | 539 131780.... | 2 | HHFS $\frac{5}{16}$ -18 x $3\frac{3}{4}$ |
| 2.. | 575 608601.... | 1 | MOUNT, w/ SAFETY DECAL | 17.. | 539 990645.... | 3 | RHSNB $\frac{3}{8}$ -16 x 1 |
| 3.. | 575 017402.... | 2 | MOUNT, SEAT BELT | 18.. | 539 990074.... | 1 | RHSNB $\frac{1}{4}$ -20 x $\frac{3}{4}$ |
| 4.. | 576 702004.... | 1 | ADJUSTMENT TRACK ASSY | 19.. | 539 130896.... | 2 | BOLT $\frac{5}{16}$ -18 SHOULDER |
| 5.. | 539 130793.... | 1 | DECK STOP | 20.. | 539 124775.... | 2 | HHB $\frac{7}{16}$ -20 x 1 |
| 6.. | 539 119741.... | 1 | SWITCH, SEAT | 21.. | 539 990394.... | 2 | NUT $\frac{7}{16}$ -20 HEX LK |
| 7.. | 539 131656.... | 1 | SUPPORT, SEAT BLK | 22.. | 539 990717.... | 2 | NUT $\frac{5}{16}$ -18 HEX NYLOC |
| 8.. | 575 224002.... | 1 | SUPPORT, RT BLK | 23.. | 539 976978.... | 1 | NUT $\frac{1}{4}$ -20 HEX NYLOC |
| 9.. | 575 224102.... | 1 | SUPPORT, LT BLK | 24.. | 521 996501.... | 1 | NUT $\frac{3}{8}$ -16 FLG HEX NYLOC |
| 10.. | 539 110300.... | 2 | SPRING, SEAT BLK | 25.. | 539 112899.. | 10 | NUT $\frac{5}{16}$ -18 FLG HEX NYLOC |
| 11.. | 539 105974.... | 1 | GROMMET RUBBER | 26.. | 539 976979.... | 2 | NUT $\frac{3}{8}$ -16 HEX NYLOC |
| 12.. | 539 103247.... | 1 | LANYARD, SEAT | 27.. | 539 990598.... | 1 | WASHER $\frac{1}{4}$ FLAT |
| 13.. | 539 130359.... | 1 | SEAT BELT ASSY | 28.. | 539 990517.... | 4 | WASHER $\frac{3}{8}$ FLAT STD |
| 14.. | 525 464701.... | 2 | HHFS $\frac{5}{16}$ -18 x $\frac{3}{4}$ | 29.. | 539 104763.... | 8 | RETAINER, U TYPE $\frac{5}{16}$ -18 |
| 15.. | 525 544001.... | 4 | HHFS $\frac{5}{16}$ -18 x $1\frac{1}{4}$ TPBLT | 30.. | 505 280001.... | 2 | TIE WRAP w/ CLIP |

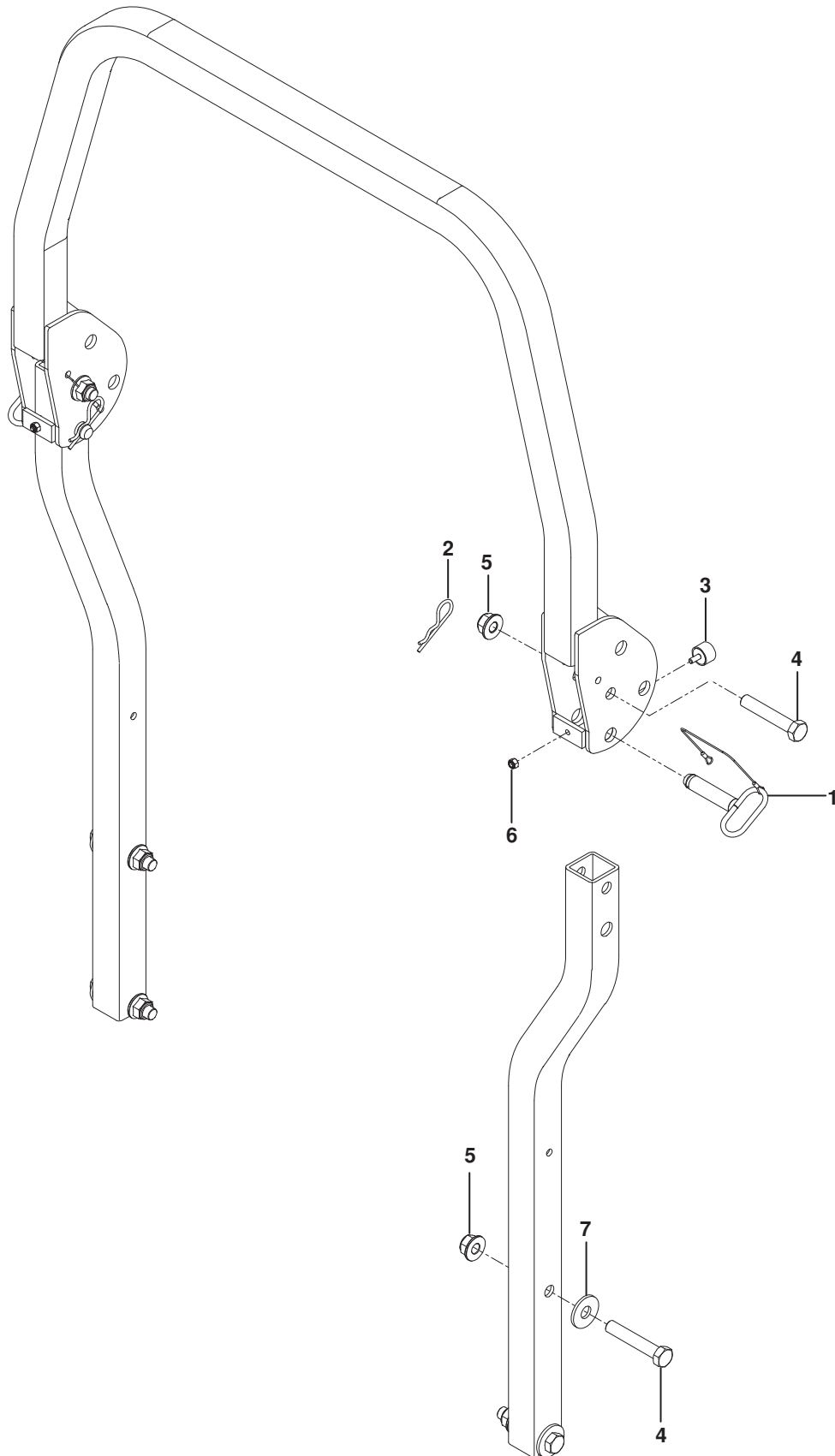
DECALS



DECALS

| ITEM | PART NO. | QTY. | DESCRIPTION | ITEM | PART NO. | QTY. | DESCRIPTION |
|------|----------------|------|-----------------------------|------|----------------|------|--------------------------|
| 1.. | 539 107959.... | 1 |DECAL, WARNING | 12.. | 539 110974.... | 2 |DECAL, TRACKING |
| 2.. | 539 105745.... | 1 |DECAL, BATTERY WARNING | 13.. | 539 132039.... | 1 |DECAL, HEIGHT ADJUST |
| 3.. | 539 103333.... | 2 |DECAL, MOTION CONTROL | 14.. | 539 132187.... | 1 |DECAL, SERVICE |
| 4.. | 539 913010.... | 1 |DECAL, BLADE WARNING | 15.. | 532 429196.... | 2 |DECAL, HUSQVARNA |
| 5.. | 539 105744.... | 1 |DECAL, DANGER BLT DRIVE | 16.. | 532 428676.... | 2 |DECAL, CROWN H |
| 6.. | 539 105743.... | 2 |DECAL, NO STEP | 17.. | 581 513701.... | 1 |DECAL, M-ZT61 |
| 7.. | 581 513701.... | 1 |DECAL, HYDROGEAR | 18.. | 574 841103.... | 1 |DECAL, CONSOLE |
| 8.. | 539 105746.... | 1 |DECAL, SEVERING | 19.. | 574 569002.... | 1 |DECAL, ROPS, WARNING |
| 9.. | 539 112620.... | 1 |DECAL, BELT ROUTING | 20.. | 574 569005.... | 1 |DECAL.ROPS |
| 10.. | 539 113213.... | 1 |DECAL, WARNING | 21.. | 539 977778.... | 2 |PAD, ABRASIVE LG |
| 11.. | 581 724401.... | 1 |DECAL, DEFLECTOR | 22.. | 539 121322.... | 3 |PAD, ABRASIVE SM |

PROTECTION FRAME



PROTECTION FRAME

| ITEM | PART NO. | QTY. | DESCRIPTION | ITEM | PART NO. | QTY. | DESCRIPTION |
|------|-----------------|------|---|------|-----------------|------|---------------------------------|
| 1.. | 574 388001....2 | | PIN w/ CABLE | 5.. | 525 829101....6 | | NUT $\frac{5}{8}$ -11 FLG NYLOC |
| 2.. | 539 200715....2 | | HAIR PIN #210 | 6.. | 539 976978....2 | | NUT $\frac{1}{4}$ -20 HEX NYLOC |
| 3.. | 522 801401....2 | | BUMPER, MALE STUD $\frac{1}{4}$ -20 | 7.. | 539 102653....4 | | WASHER $\frac{5}{8}$ STD FLAT |
| 4.. | 580 754601....6 | | HCS $\frac{5}{8}$ -11 x 3 $\frac{1}{2}$ | | | | |